

Over-The-Toilet Storage Shelf

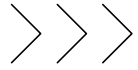
CONTACT US:

If you have any questions about the installation, please just feel free to contact us at email: mvdaily002@gmail.com

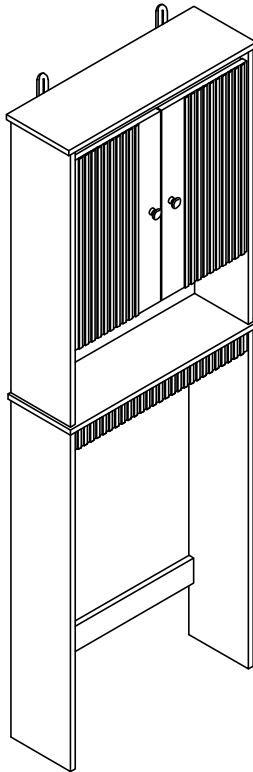
Alternative method to contact us (Amazon.com orders only)

- 1. Log into your amazon account**
- 2. Go to “Your Orders” and find the purchase**
- 3. Click on “Contact Seller”**

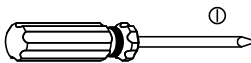
Assembly Instructions



Model: FT001WH / FT001BK



Tools Needed (not included) Flat & Phillips Screwdriver



Assembly Instructions



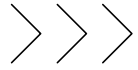
Notice:

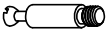
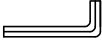












1. Follow the installation instructions, Please confirm all accessories are presented before installation.
2. Do not fully tighten the screws during initial assembly. Fully tighten screws only once all pieces which are correctly assembled.
3. If you encounter any problems during installation, please contact our customer service.

Item no.	Reference Image	Qty.
①		X 1
②		X 1
③		X 1
④		X 1
⑤		X 1
⑥		X 1
⑦		X 1
⑧		X 1
⑨		X 1

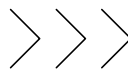
Item no.	Reference Image	Qty.
⑩		X 1
⑪		X 1
⑫		X 1
⑬		X 1
⑭		X 1
⑮		X 1
⑯		X 1

Assembly Instructions

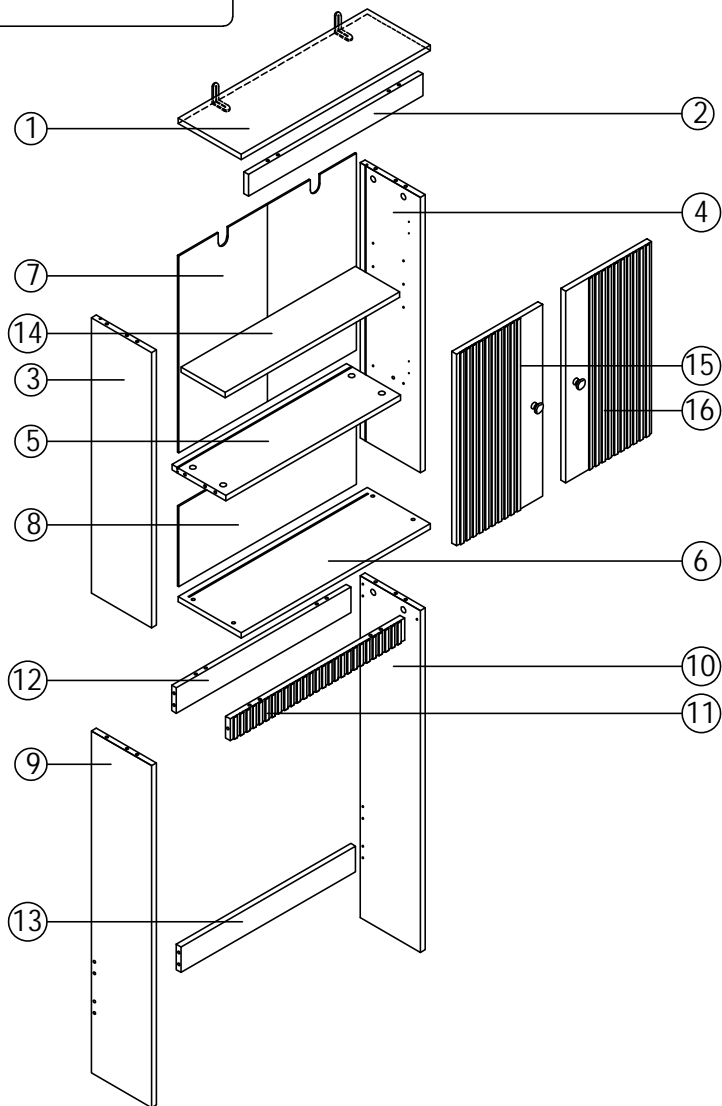


Item no.	Reference Image	Qty.	Item no.	Reference Image	Qty.
(A)		X 24	(J)		X 1
(B)		X 24	(K)		X 2
(C)		X 12	(L)		X 2
(D)		X 4	(M)		X 2
(E)		X 2	(N)		X 2
(F)		X 2			
(G)		X 4			
(H)	 Ø3.5*13	X 24			
(I)		X 8			

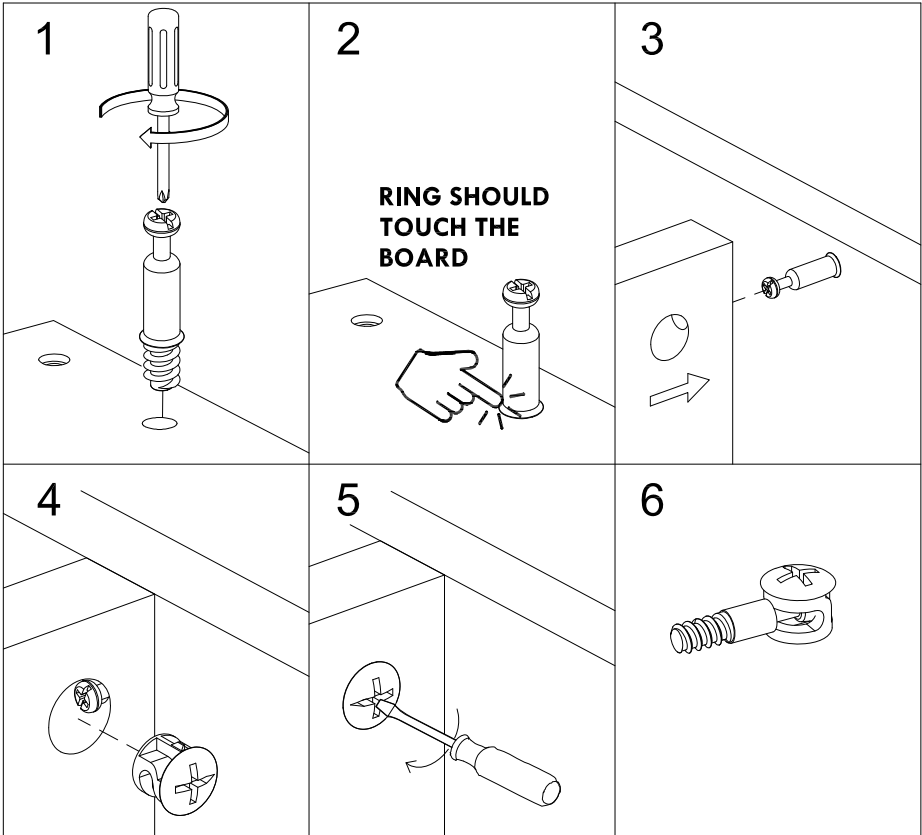
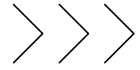
Assembly Instructions



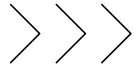
Explosion Diagram



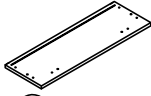
Assembly Instructions



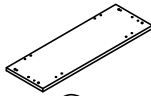
Assembly Instructions



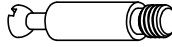
1



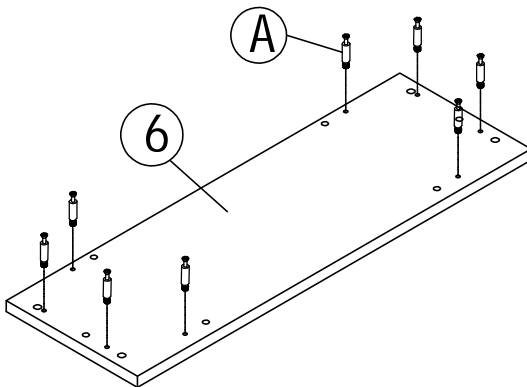
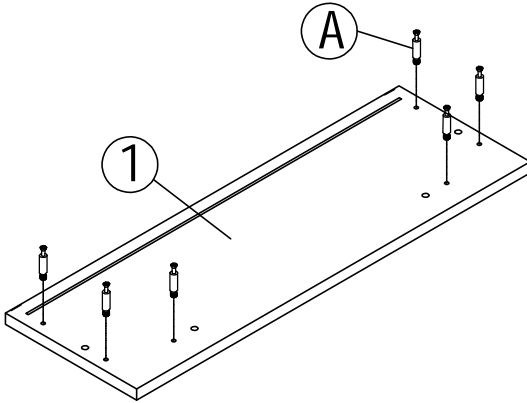
① 1PC



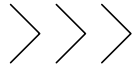
⑥ 1PC



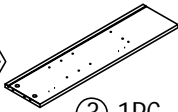
Ⓐ 14PCS



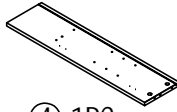
Assembly Instructions



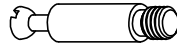
2



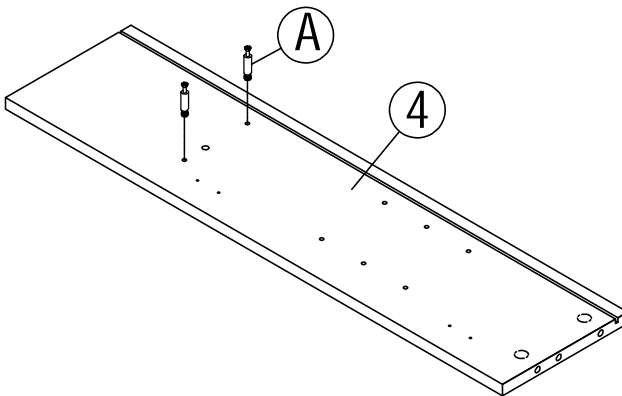
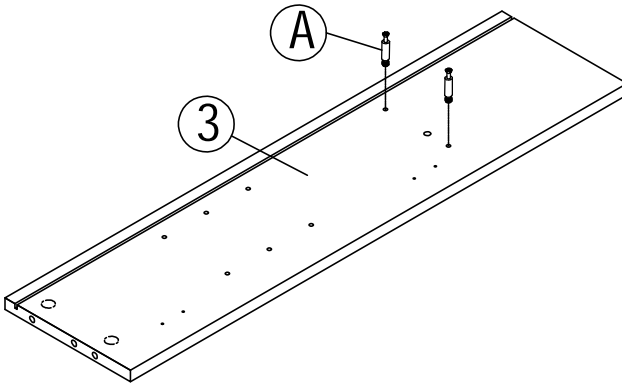
③ 1PC



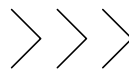
④ 1PC



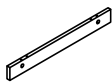
Ⓐ 4PCS



Assembly Instructions



3



② 1PC



Ⓑ 2PCS



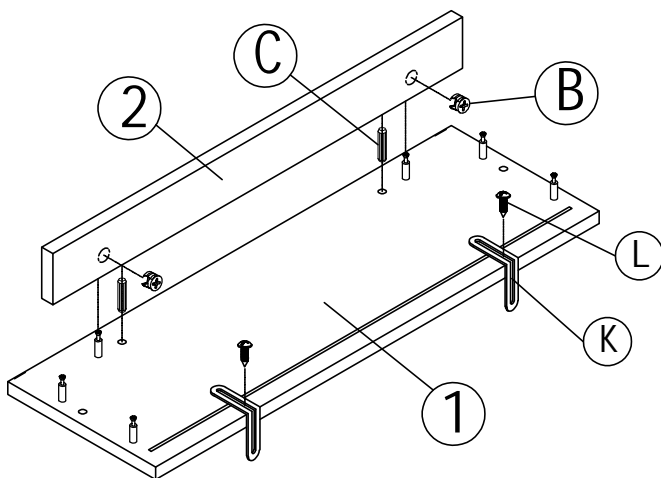
Ⓒ 2PCS



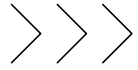
Ⓚ 2PCS



Ⓛ 2PCS



Assembly Instructions



4



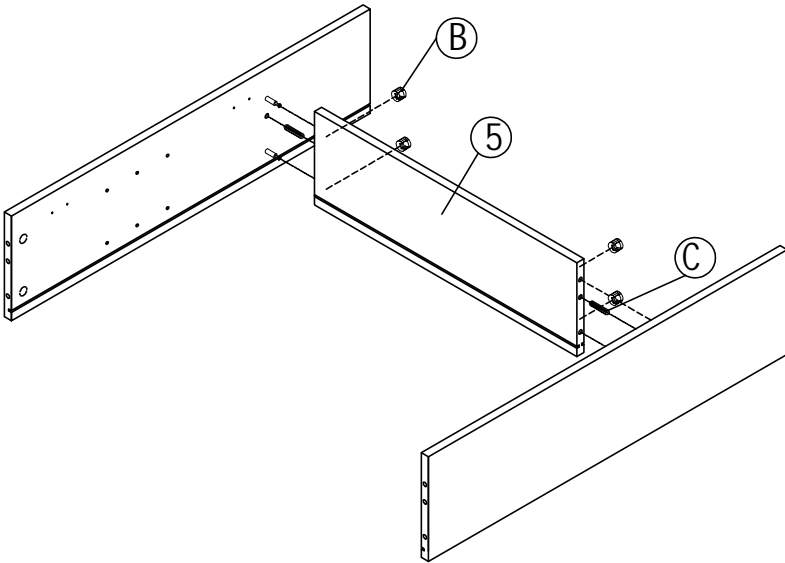
⑤ 1PC



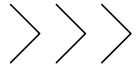
⑥ 4PCS



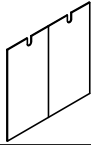
⑦ 2PCS



Assembly Instructions



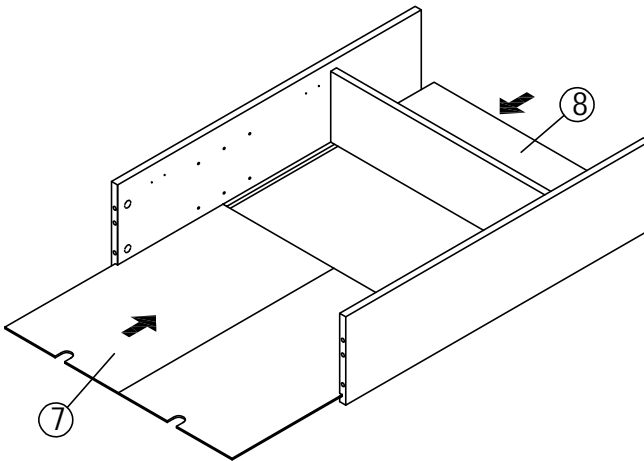
5



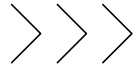
⑦ 1PC



⑧ 1PC



Assembly Instructions



6



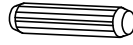
ⓐ 4PCS



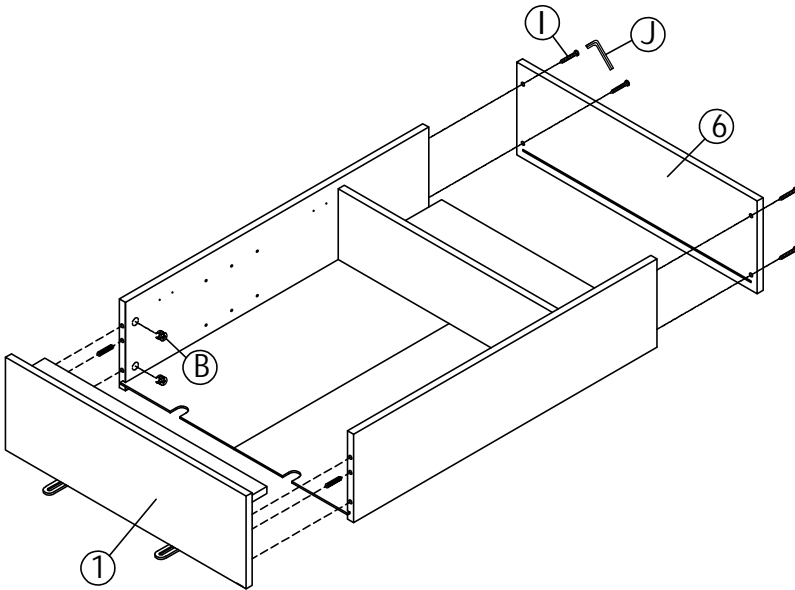
ⓑ 1PC



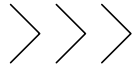
ⓒ 4PCS



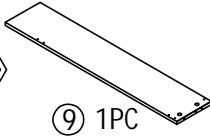
ⓓ 2PCS



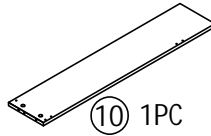
Assembly Instructions



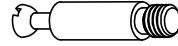
7



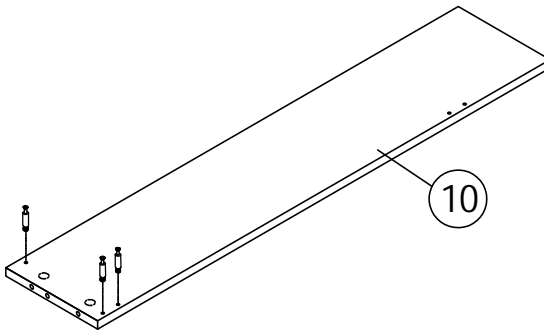
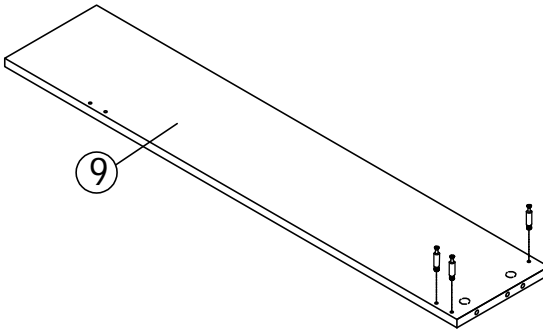
⑨ 1PC



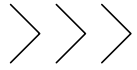
⑩ 1PC



Ⓐ 6PCS



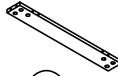
Assembly Instructions



8



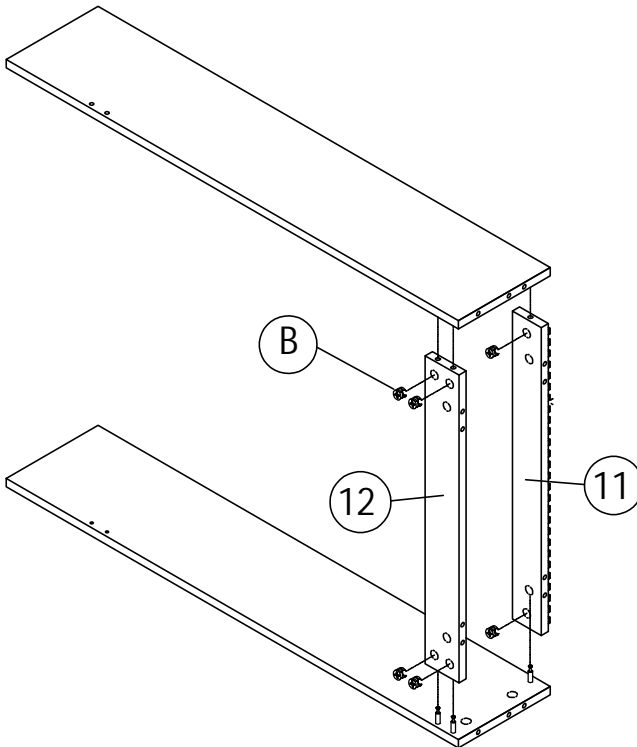
①① 1PC



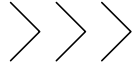
①② 1PC



Ⓑ 6PCS



Assembly Instructions



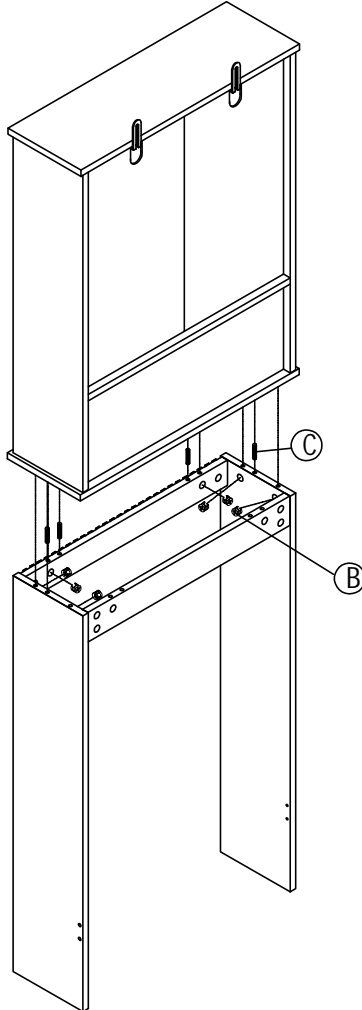
9



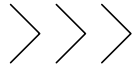
Ⓑ 8PCS



Ⓒ 6PCS



Assembly Instructions



10



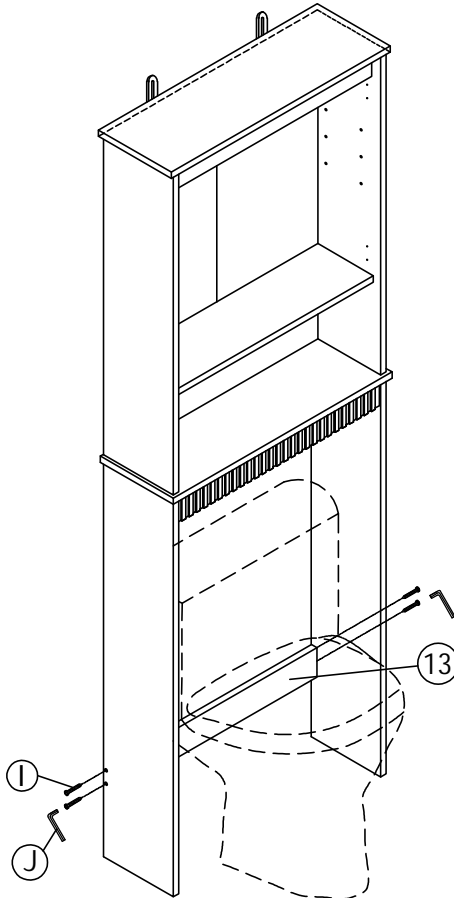
13 1PC



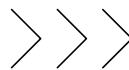
I 4PCS



J 1PC



Assembly Instructions



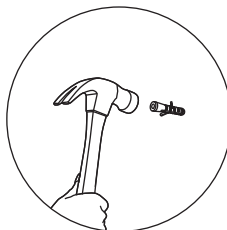
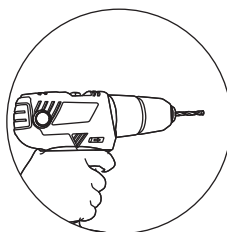
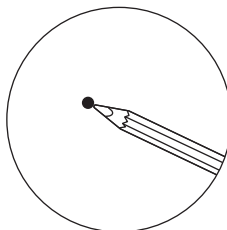
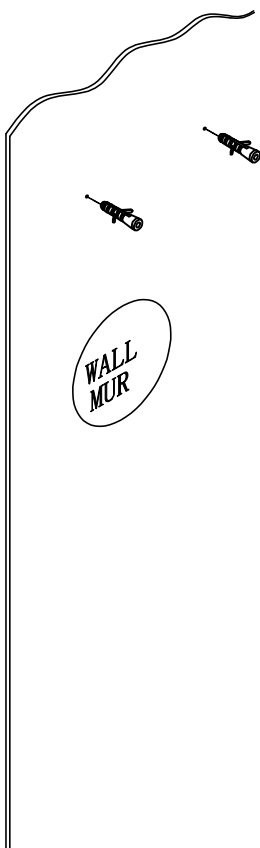
11



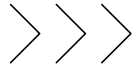
(M) 2PCS



Notes: Highly recommend you to secure the anti-tip accessories to wall to prevent the storage shelf tipping, avoiding injury and property damage.



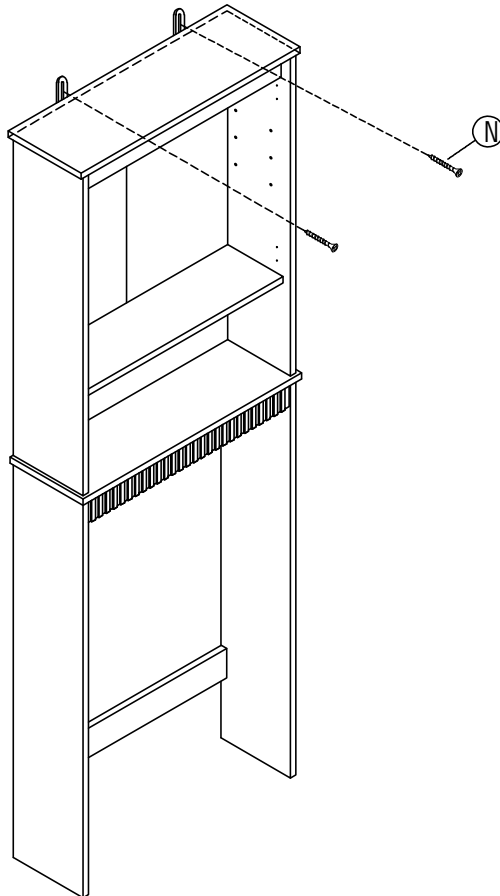
Assembly Instructions



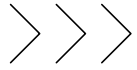
12



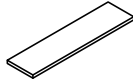
(N) 2PCS



Assembly Instructions



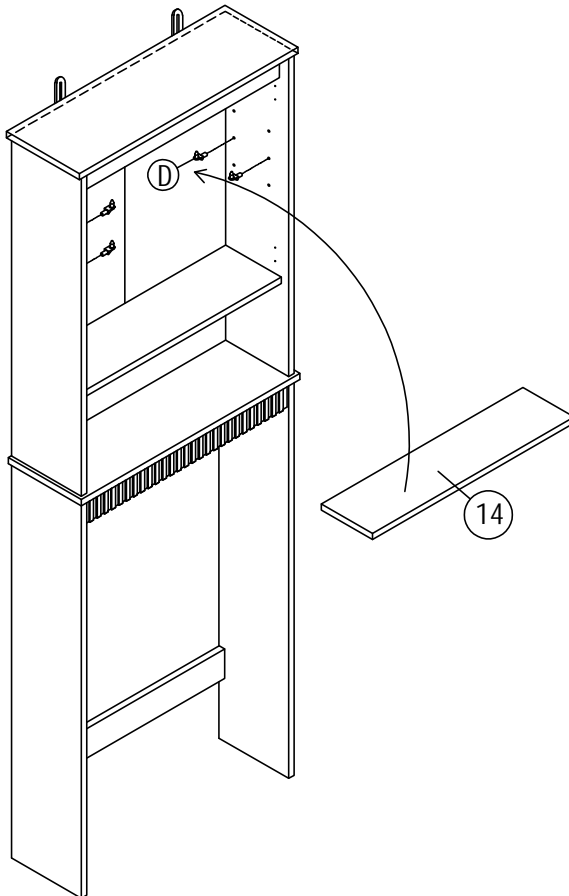
13



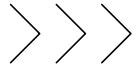
14 1PC



D 4PCS



Assembly Instructions



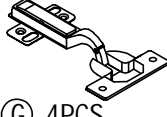
14



⑮ 1PC



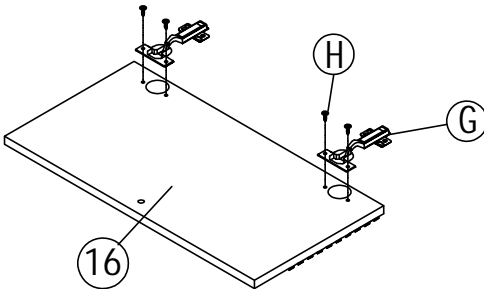
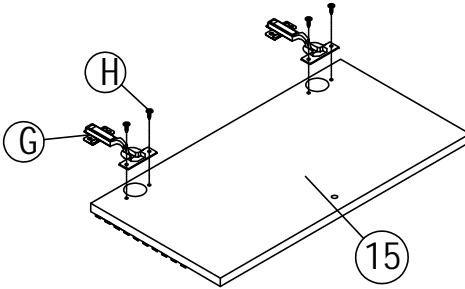
⑯ 1PC



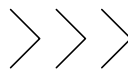
ⓐ 4PCS



ⓓ 8PCS



Assembly Instructions



15



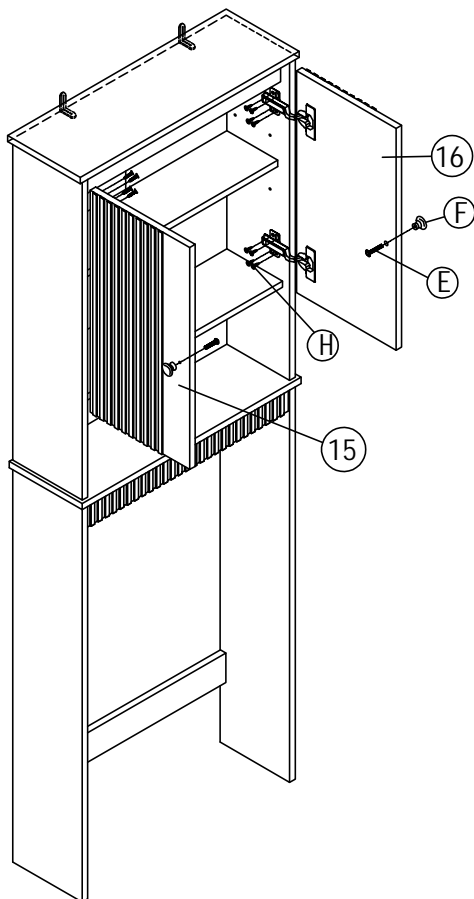
Ⓜ 16PCS

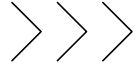


Ⓜ 2PCS



Ⓜ 2PCS





OPTIONAL DOOR ADJUSTMENT

The cabinet doors have a three-way adjustment feature. Height, side-to-side, level & depth can be adjusted. With the hinge slightly closed you can access the middle screw for up/down adjustment. With the hinge fully extended you can access the front and back screws. These screws will move the door side to side and in & out.

