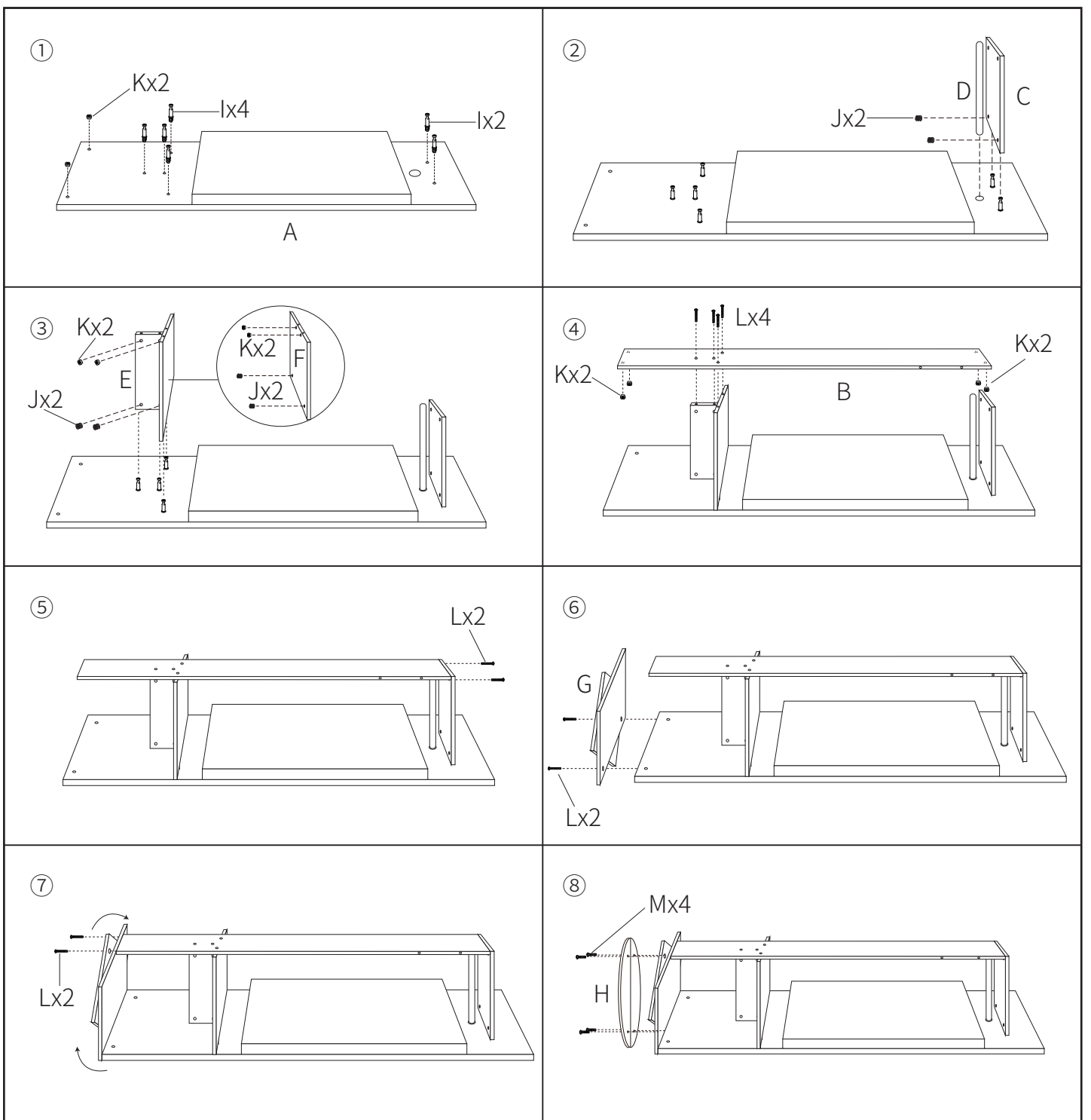
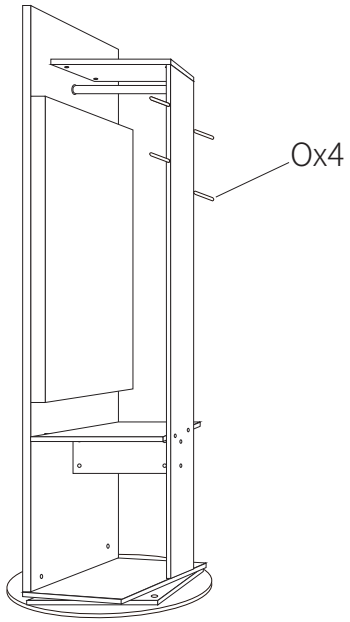


Ax1 	Bx1 	Cx1 	Dx1 	Ex1 	Fx1
Gx1 	Hx2 	Ix6 	Jx6 	Kx10 	Lx10
Mx4 	Nx1 	Ox4 	Px1 	Qx1 	Rx1



9



10

