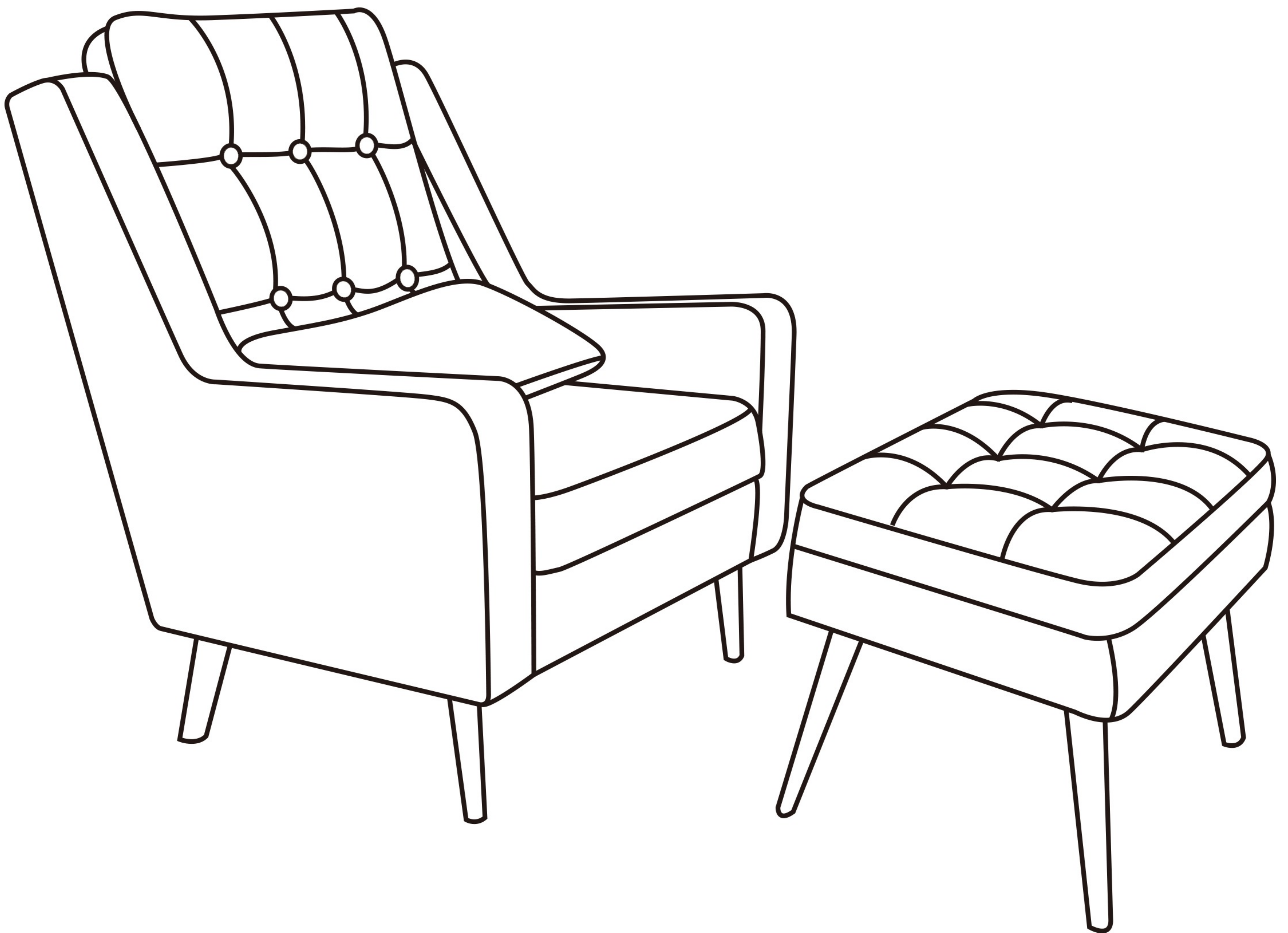


ACCENT CHAIR

with OTTOMAN



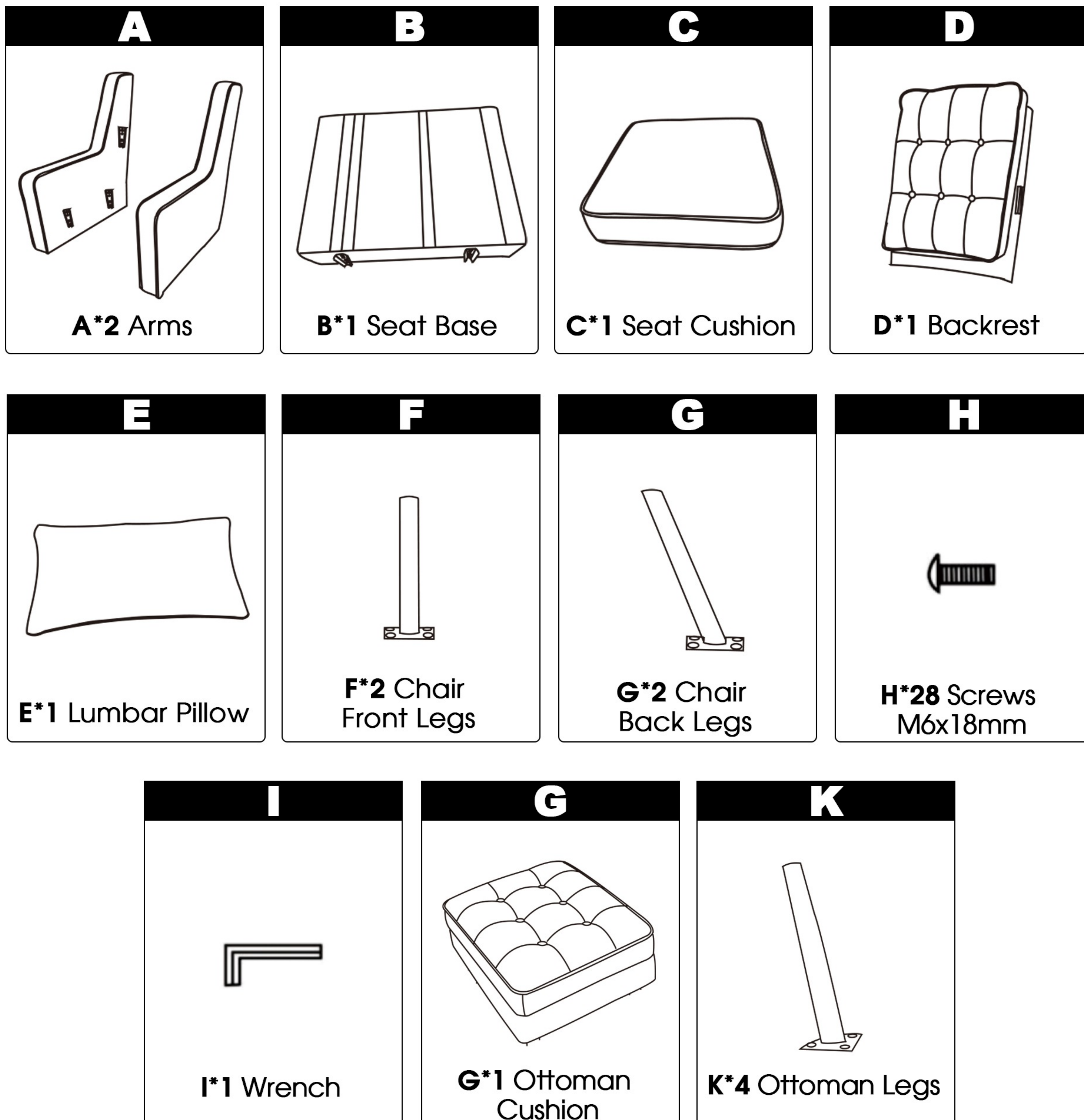
CONGRATULATIONS!

Accent Chair with ottoman - a name synonymous with classic design and the carrier of value and quality. Our products are directly from factory and eliminated the cost of middlemen. The Accent Chair with ottoman is a high-quality shading solution to enhance comfortable feelings as you try to enjoy the nice day.

WARRANTY

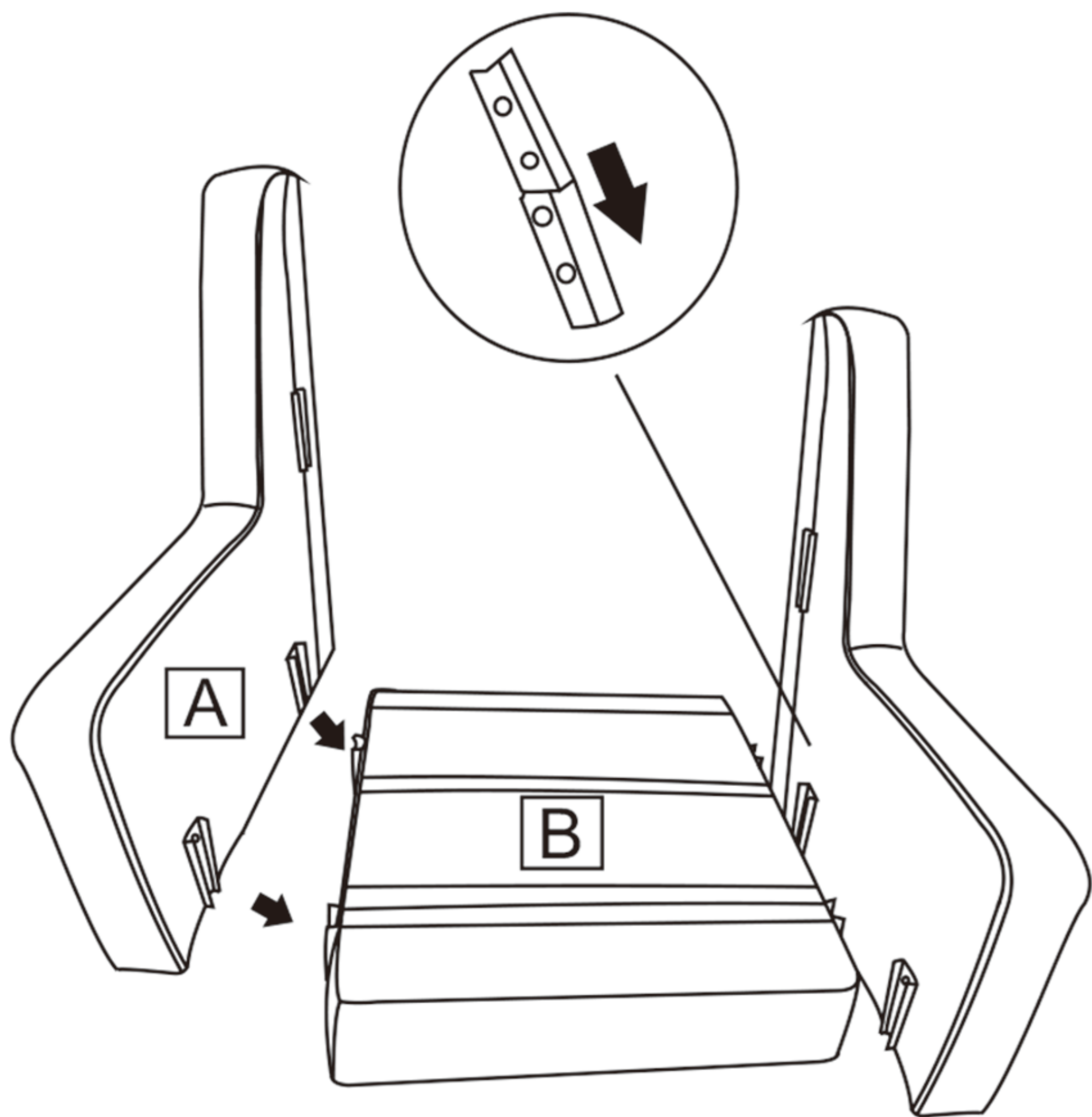
- All warranties are to the original purchaser
- will replace the defective parts or send replacement item provided that the warranty parts have not been subjected to misuse, abuse or improper service by the consumer, for example, damaged wire arising in consequence of negligence or improper operation.
- All of chairs come with a 30-day return/replace policy. During this time, we will cover the shipping cost of return and replacement for defective and damaged item, through provide pre-paid return label or pick up service for customer's convenience.

PARTS LIST



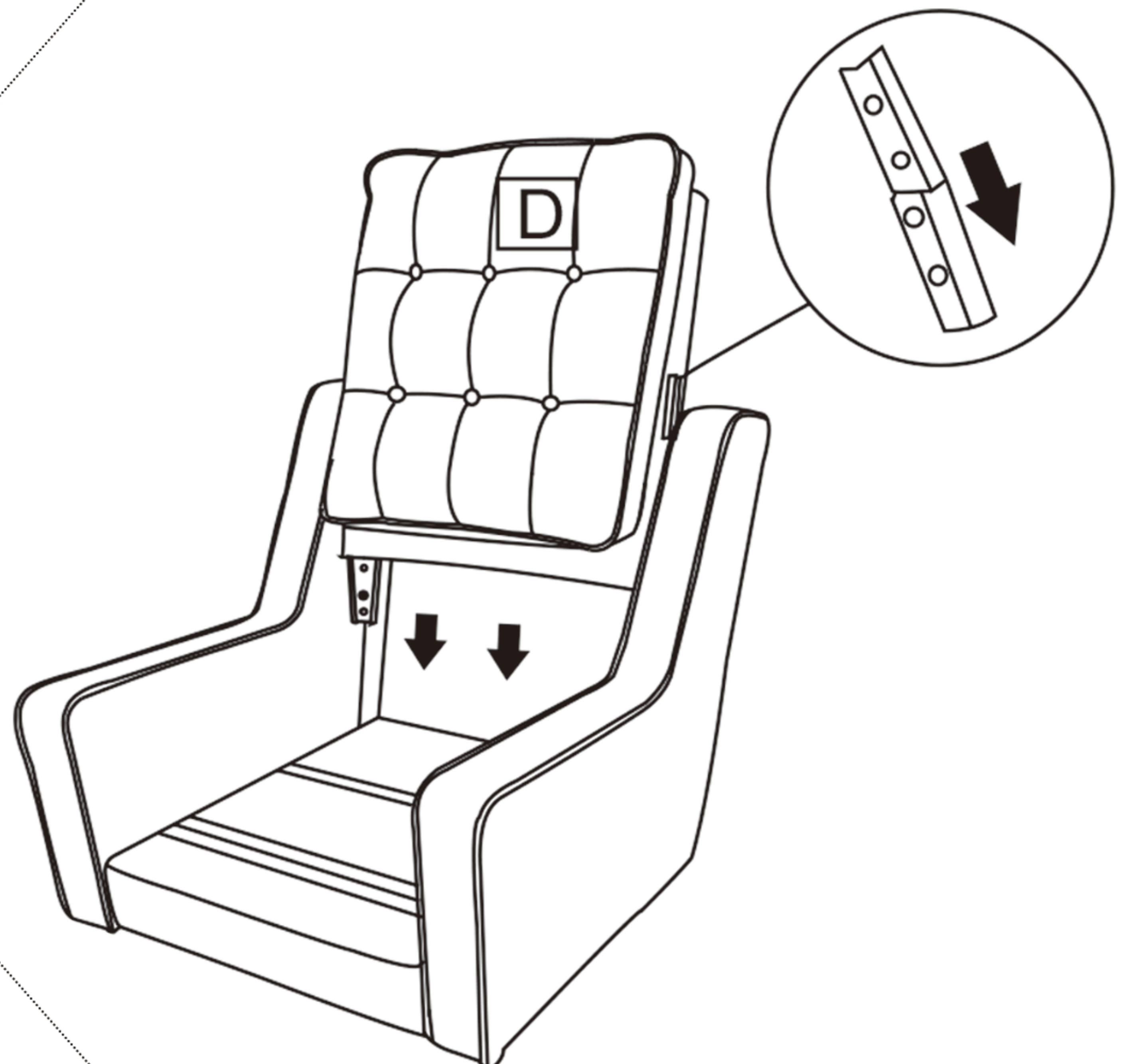
Please remove all protective foam.

Assemble the Chair



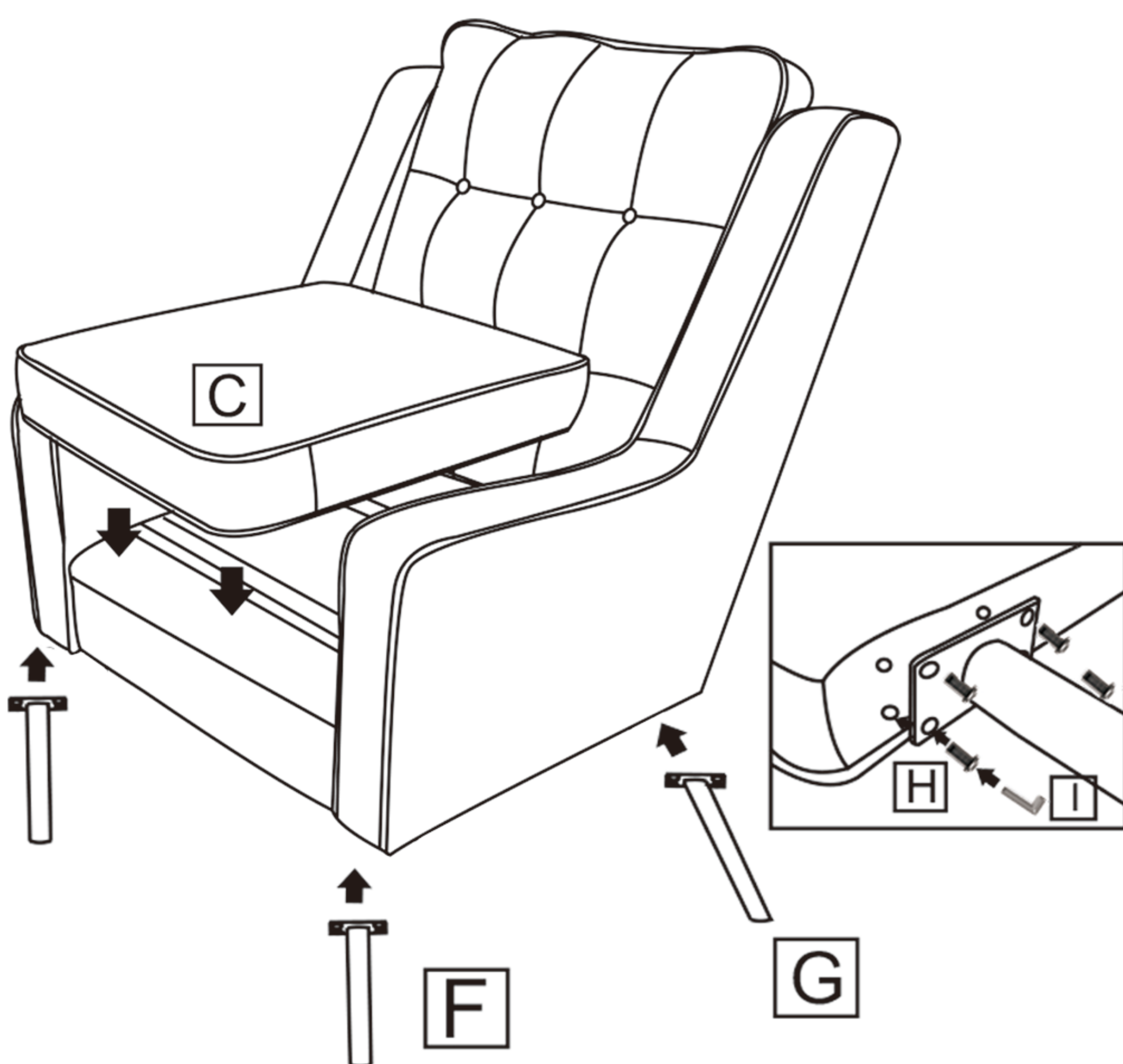
Step 1

Insert the left and right Arms (#A) into the two sides of the Seat Base (#B).



Step 2

Fix both sides of the Backrest (#D) on the inserts of the left and right armrests.



Step 3

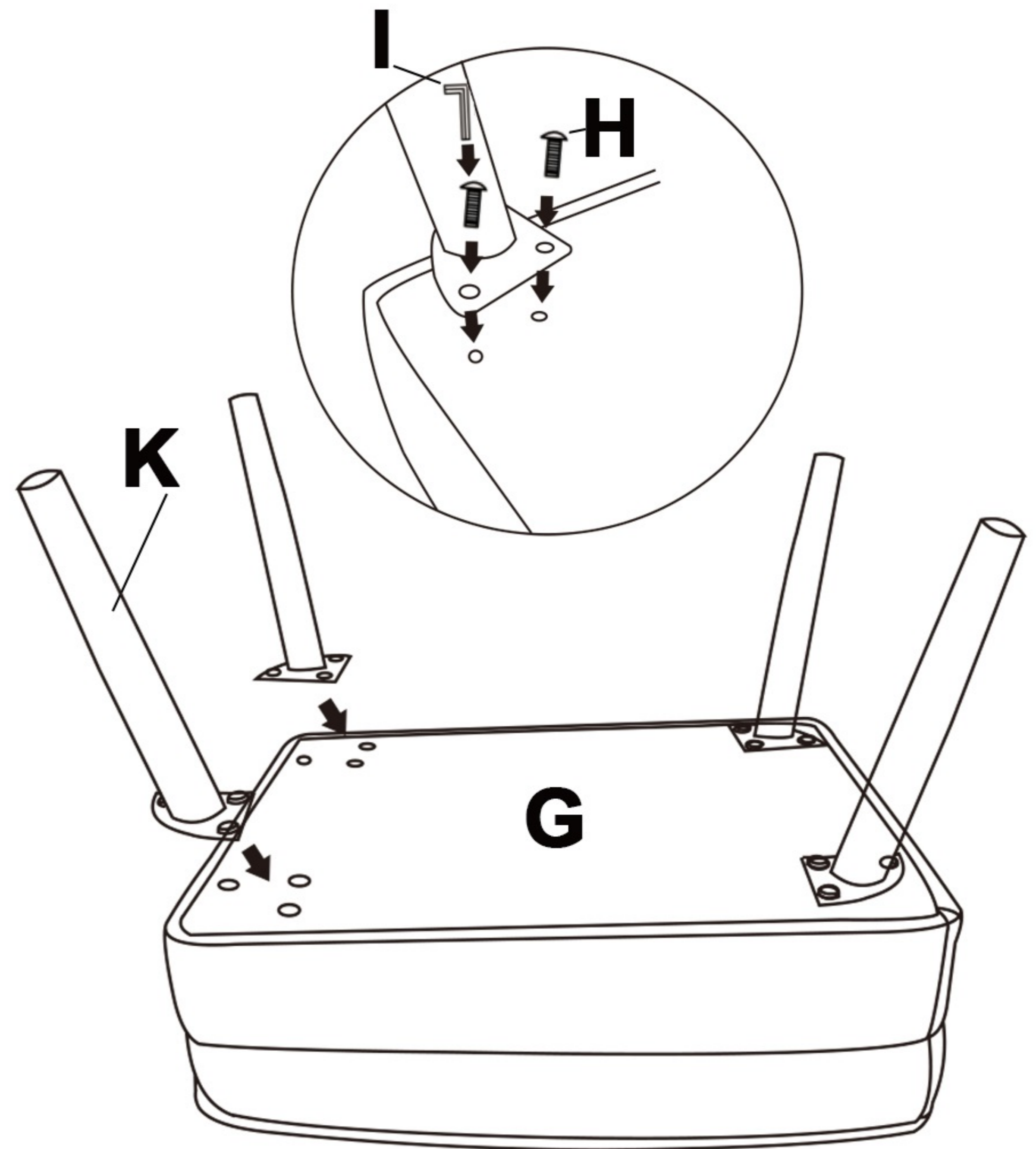
1. Fasten the 2 Chair Front Legs (#F) and 2 Chair Back Legs (#G) to the bottom of the chair with Screws (#H&#I).

2. Put the Seat Cushion (#C) on the chair.

Assemble the Ottoman

Step 4

Fasten the 4 Ottoman Legs (#K) under the Ottoman Cushion (#G) with screws (#H&#I).



Congratulations!

Step 5

Finally, put the lumbar pillow (#E) on the chair and enjoy it!

