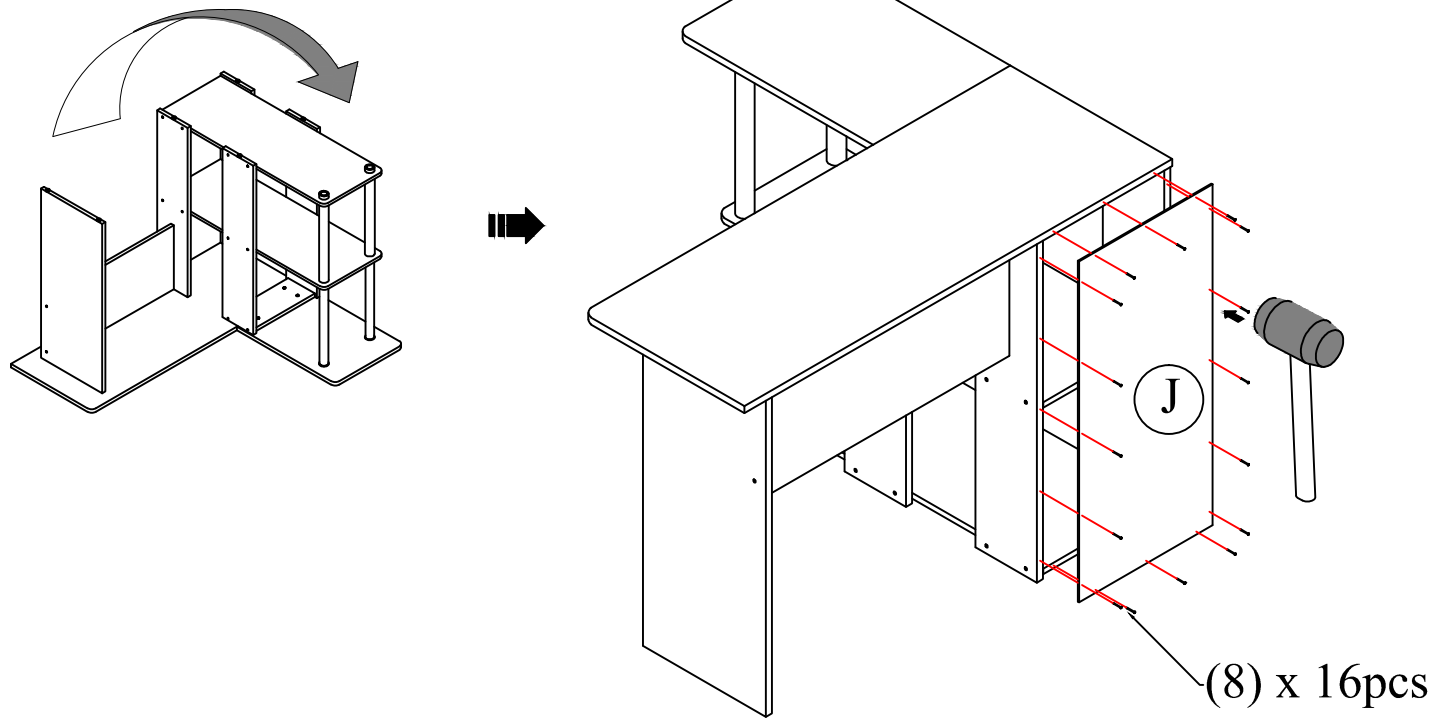


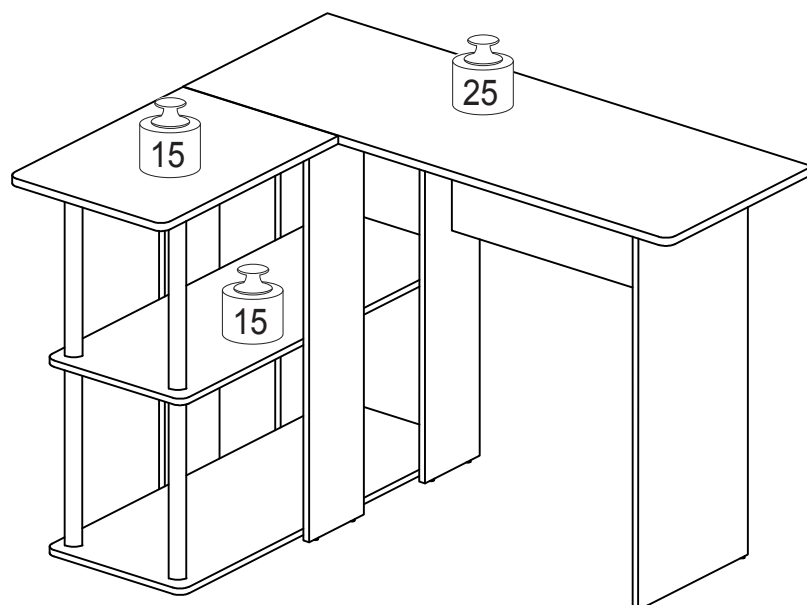
13

TURN 180°



(8) x 16pcs

Recommended Maximum Weight



*Unit in Pound(lbs)

WARNING:

>This unit has been designed to support the maximum loads shown. Exceeding these load limits could cause sagging, instability, product collapse, and/or serious injury.

>DO NOT allow children to climb on unit.

>Put heavier items on lower shelves.

00:30

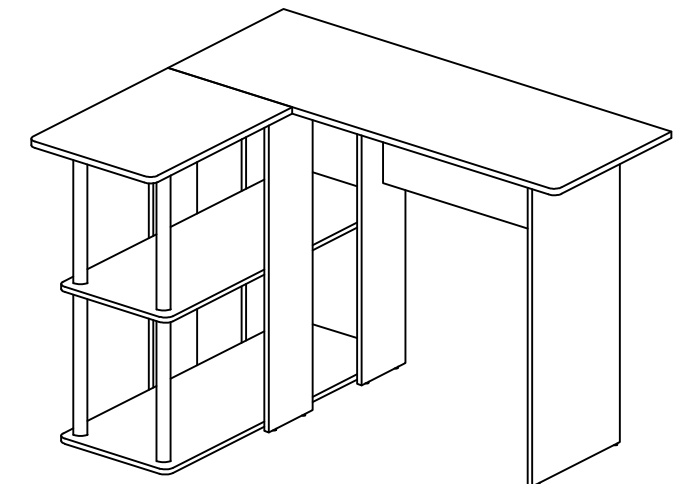
Approx. 30 minutes

Recomm. 2 Persons

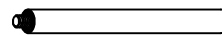









Tools Required

Assembly Instruction

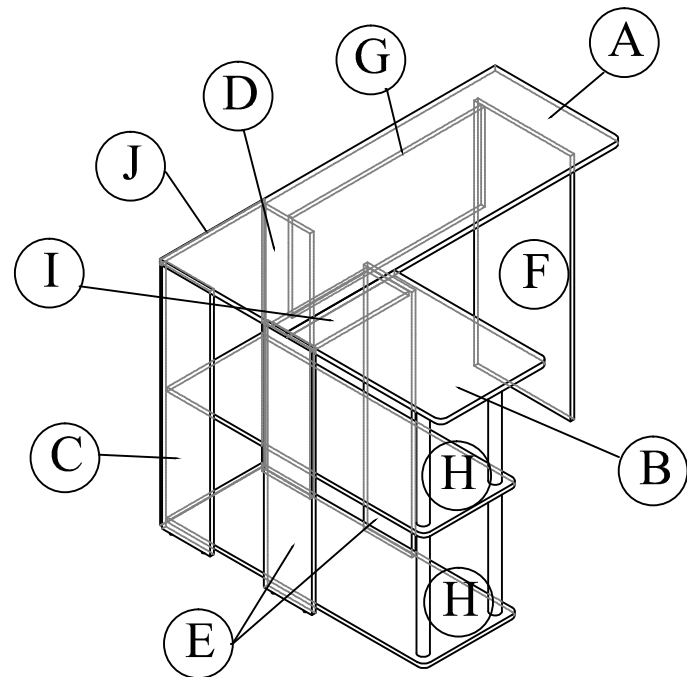
Furinno L-Shaped Desk With Bookshelf



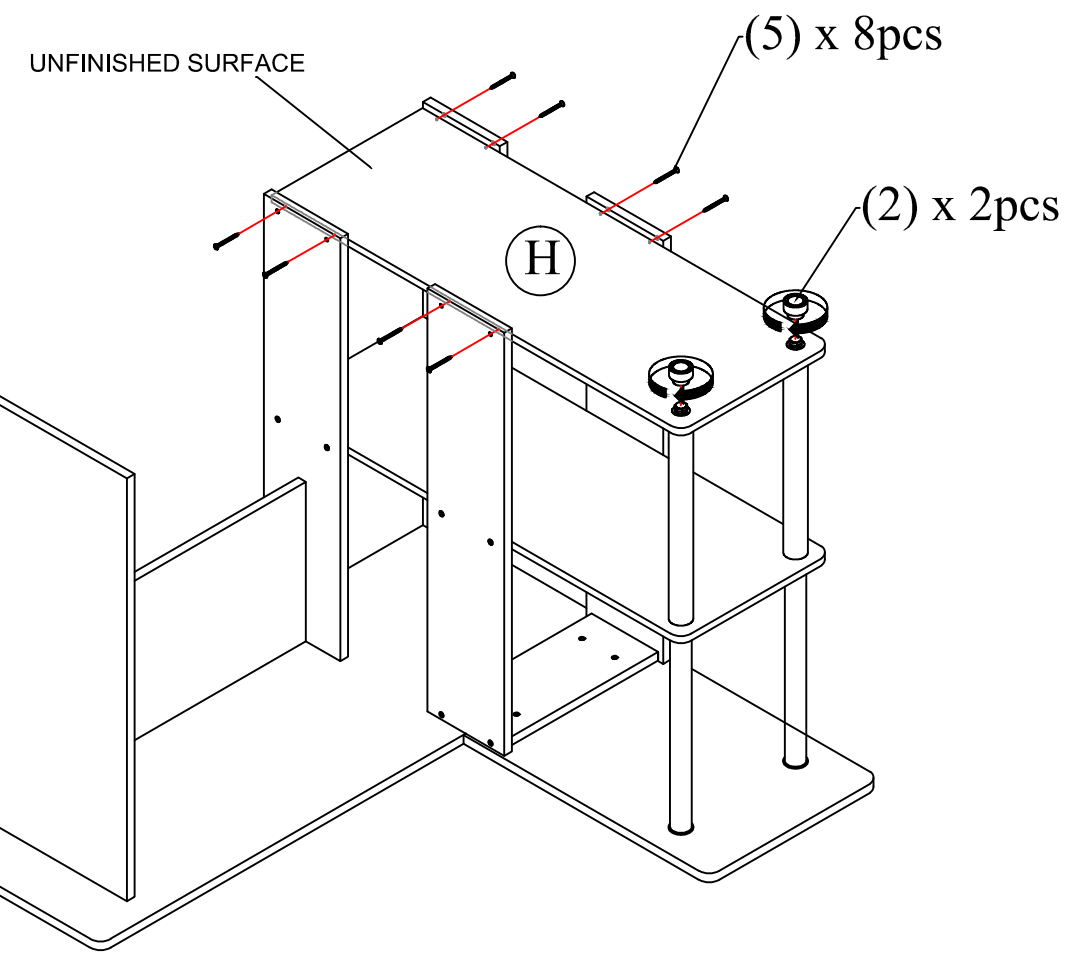
HARDWARE & PARTS LIST

NO	HARDWARE LIST	QTY
1	LONG POLE 	4pcs
2	SMALL LEG 	2pcs
3	CAM-LOCK PILLAR 	4pcs
4	CAM-LOCK NUT 	4pcs
5	LONG SCREW 	24pcs
6	SHORT SCREW 	4pcs
7	DOWEL 	14pcs
8	POWER PIN 	16pcs
9	NAIL LEG 	6pcs
10	STICKER 	24pcs

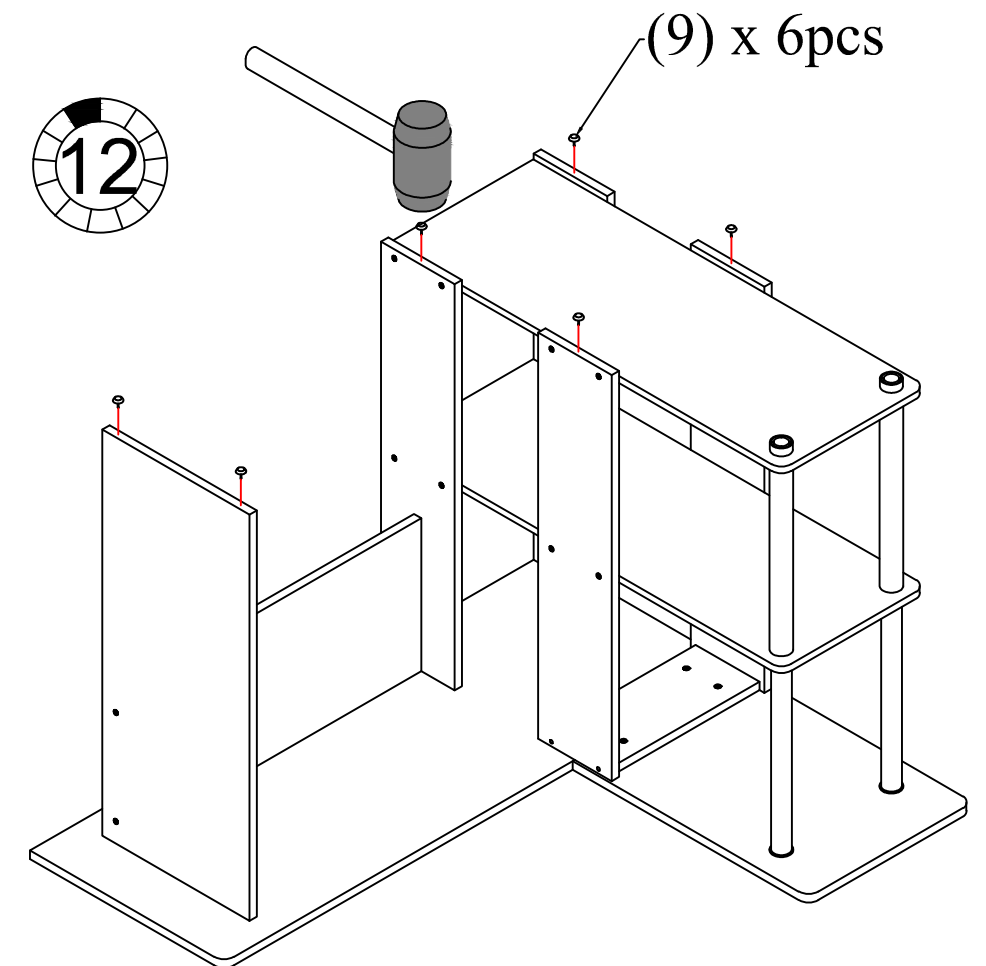
NO	PARTS LIST	QTY
A	LARGE TOP PANEL	1pc
B	SMALL TOP PANEL	1pc
C	BACK LEFT SIDE PANEL	1pc
D	BACK RIGHT SIDE PANEL	1pc
E	FRONT SIDE PANEL	2pcs
F	RIGHT SIDE PANEL	1pc
G	CENTER BACK PANEL	1pc
H	SHELF PANEL	2pcs
I	SUPPORT PANEL	1pc
J	BACK PANEL	1pc



11



12



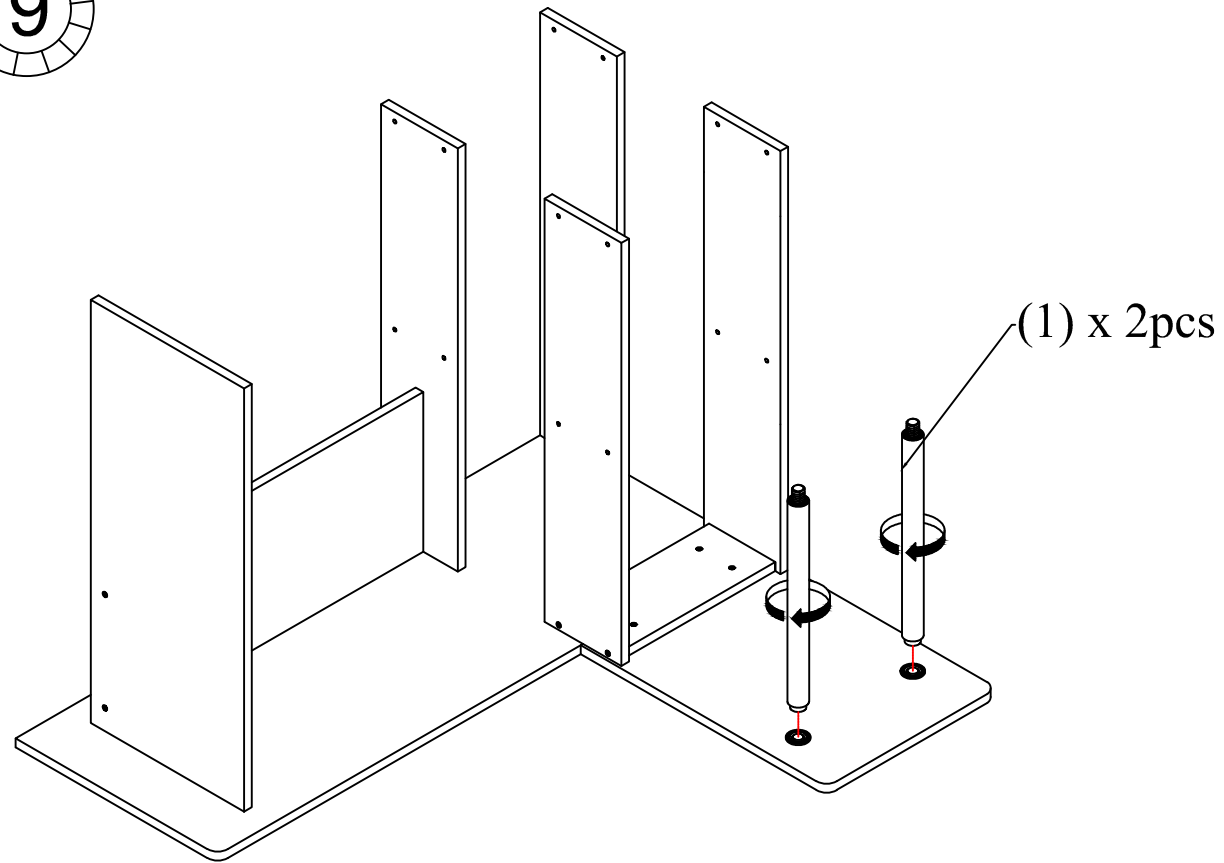
USEFUL HINTS BEFORE YOU START:

1. Read each step carefully before starting.
2. It is important that each step is performed in correct order to avoid difficulties.
3. Identify, sort and count the parts before assembly.
4. Assemble your furniture on packaging cardboard to prevent scratch or damage.
5. Clean the product with mild cleanser using soft damp cloth. Do not use harsh or abrasive cleanser.
6. Using incompatible hardware might cause damage to product.

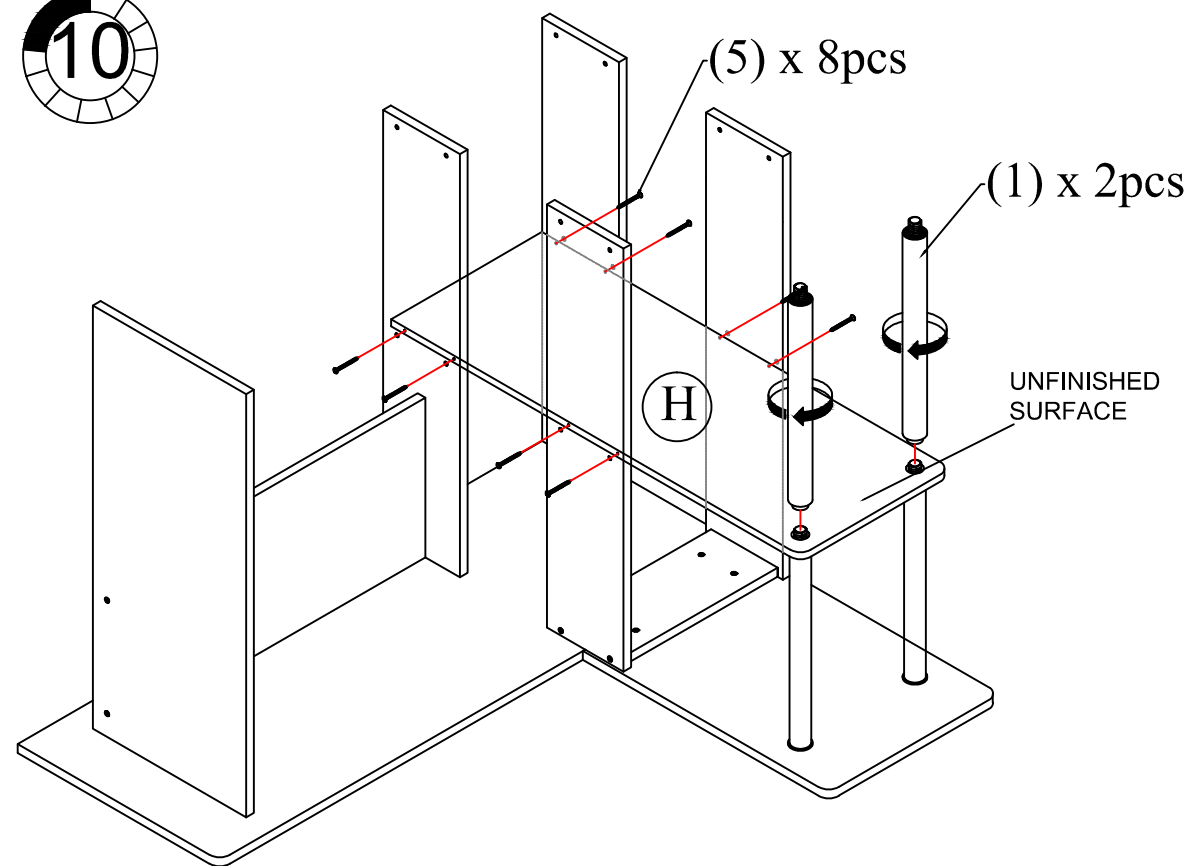
ASSEMBLY INSTRUCTIONS

BEFORE YOU BEGIN, PLEASE READ ASSEMBLY INSTRUCTION CAREFULLY, FOLLOW THEM STEP BY STEP.

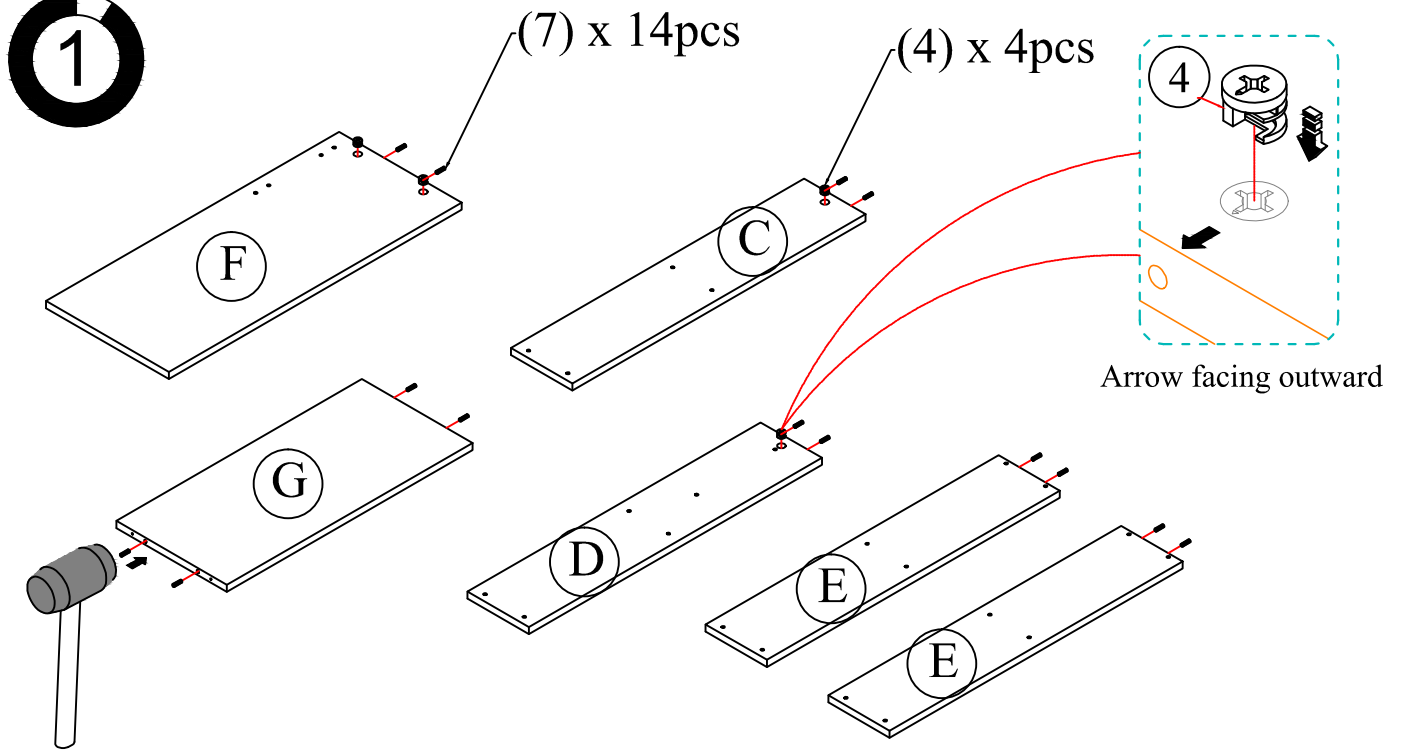
9



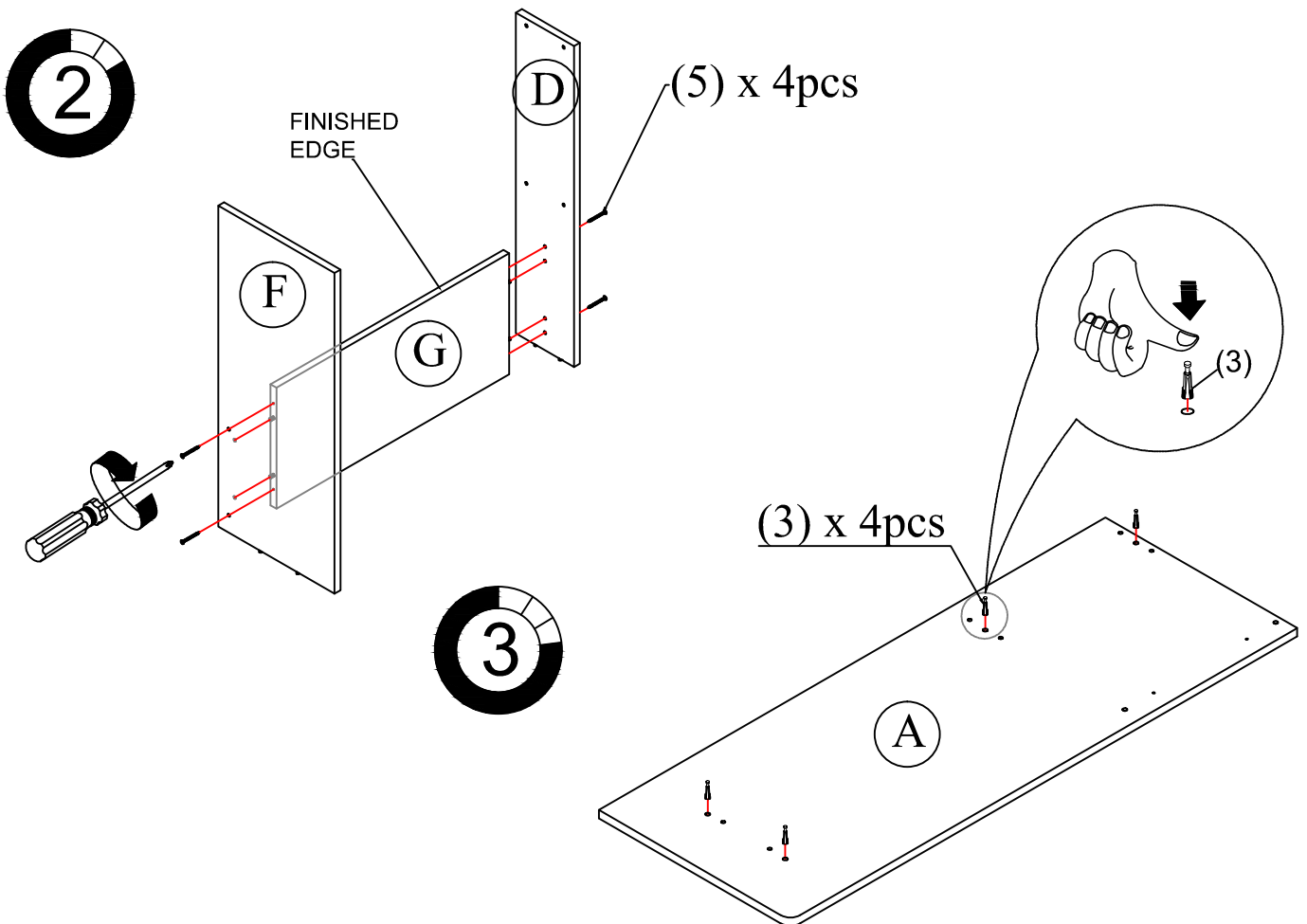
10



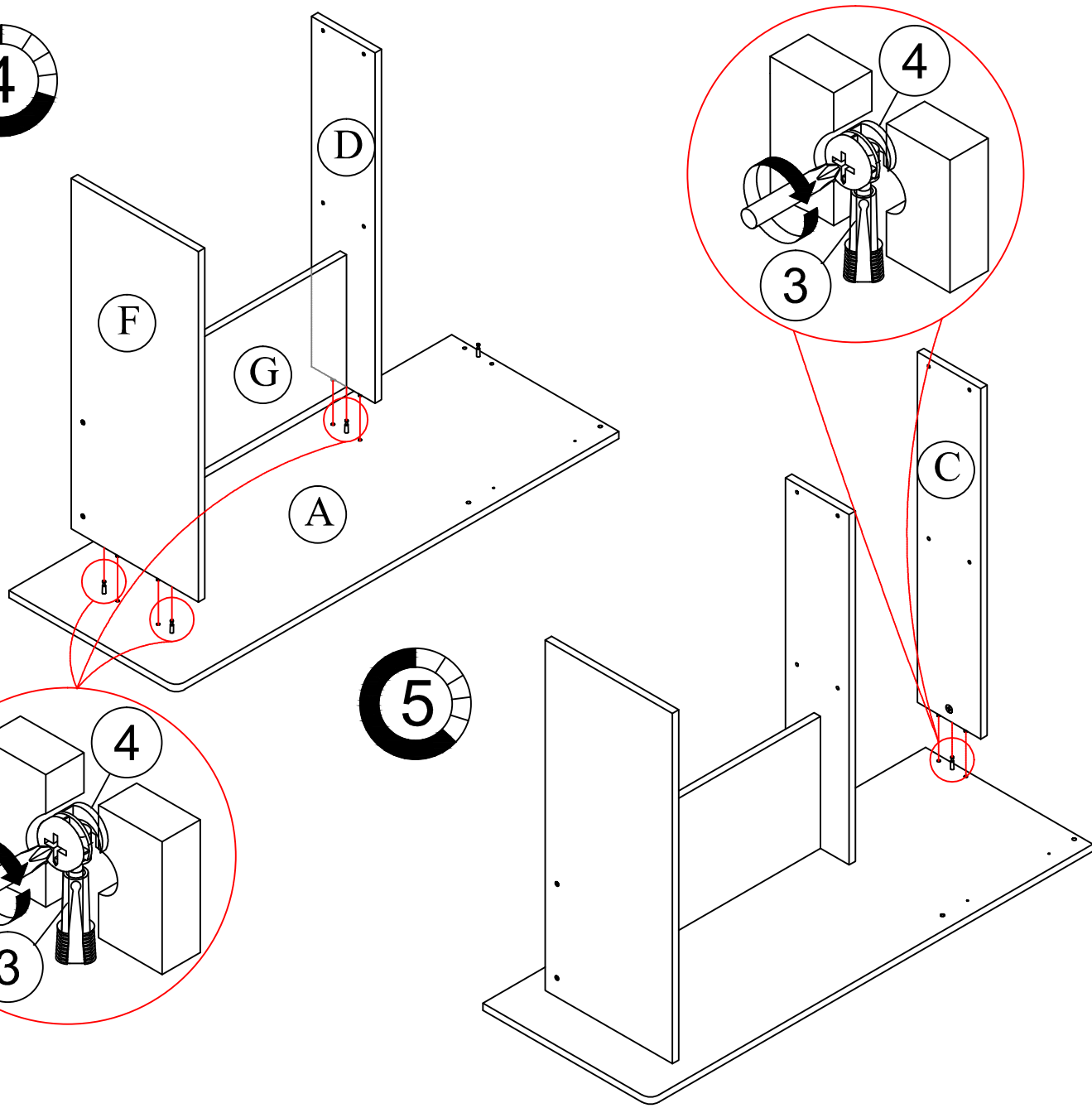
1



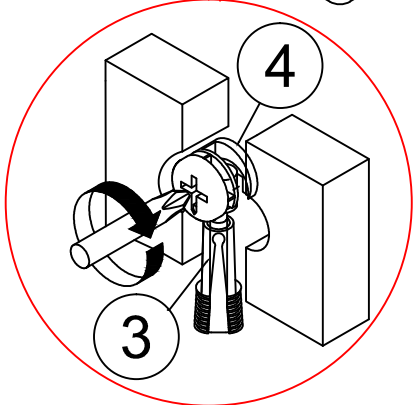
2



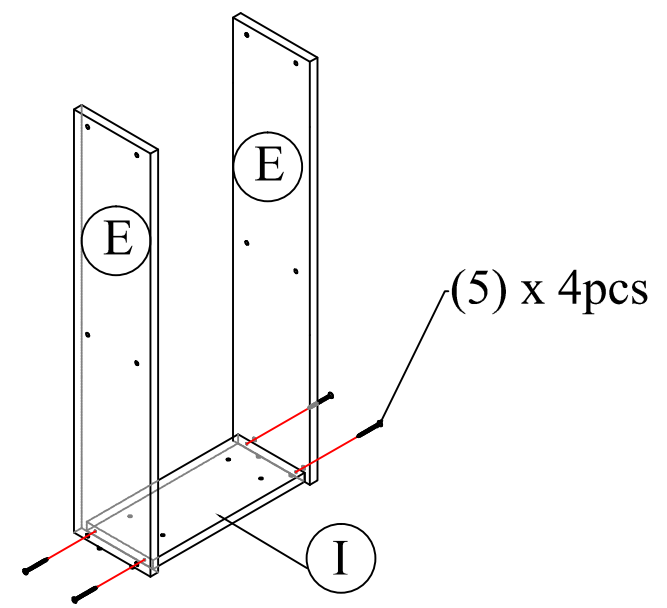
4



5

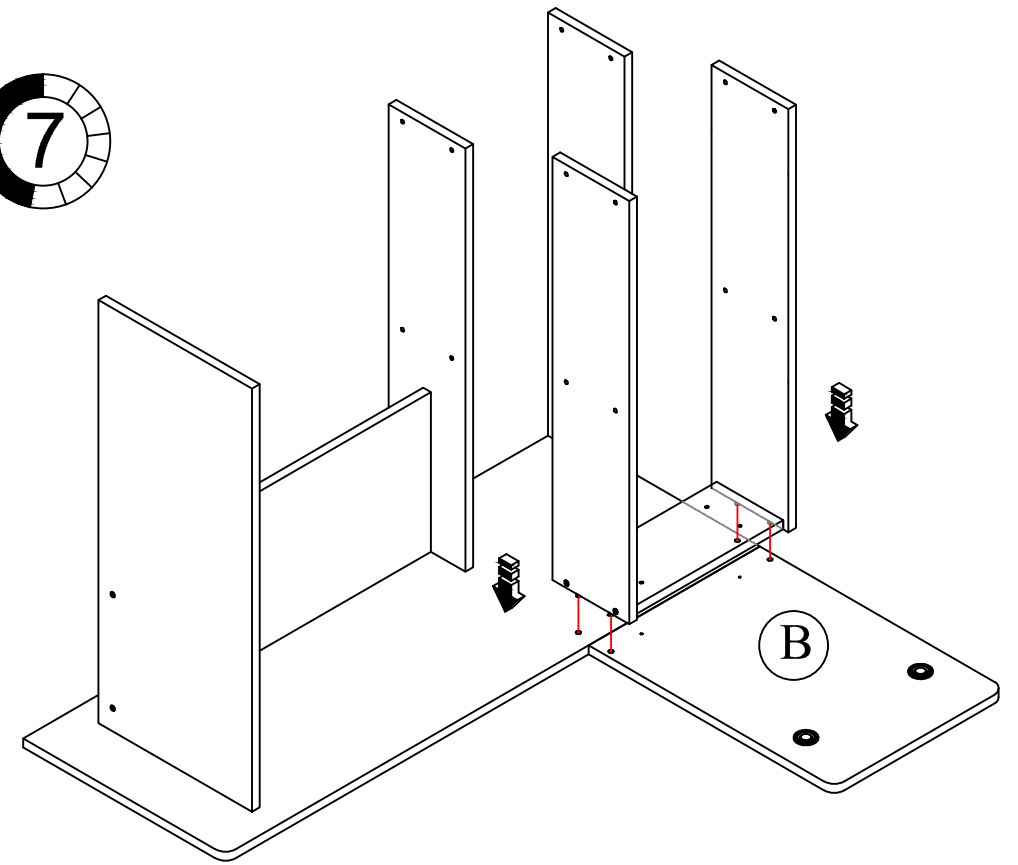


6

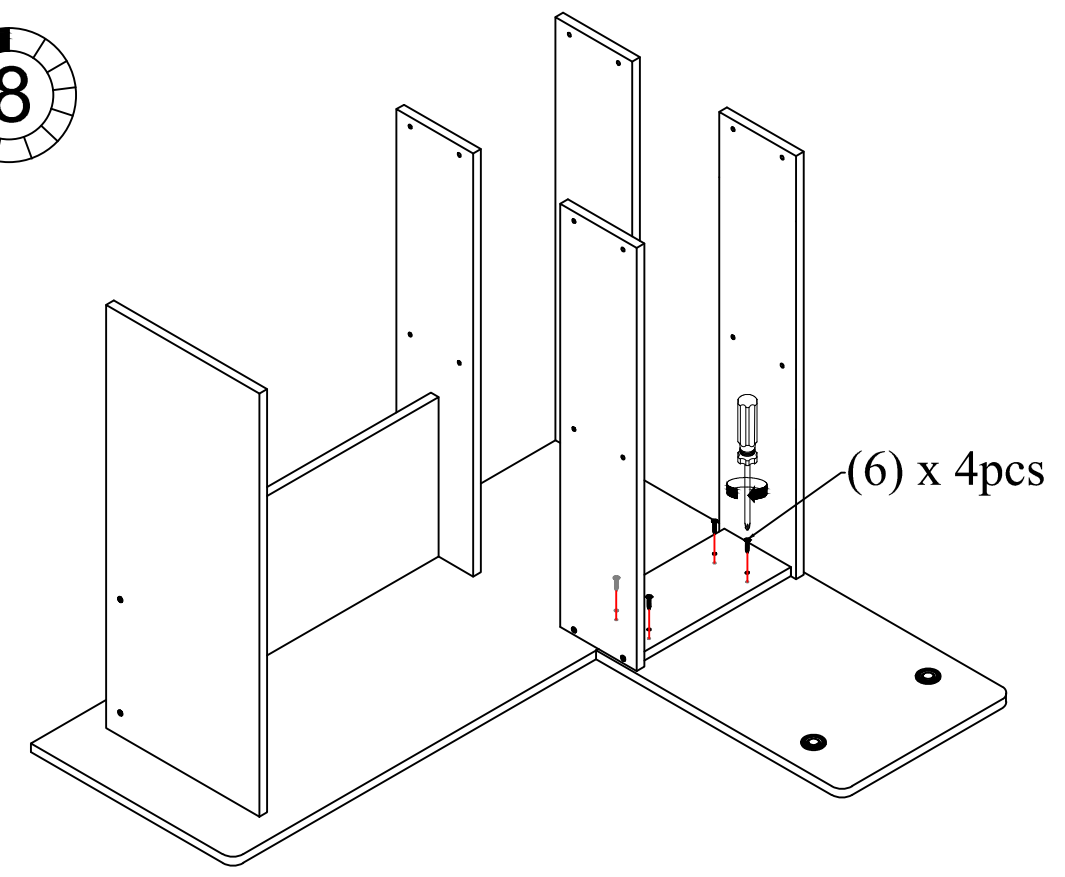


4

7



8



5