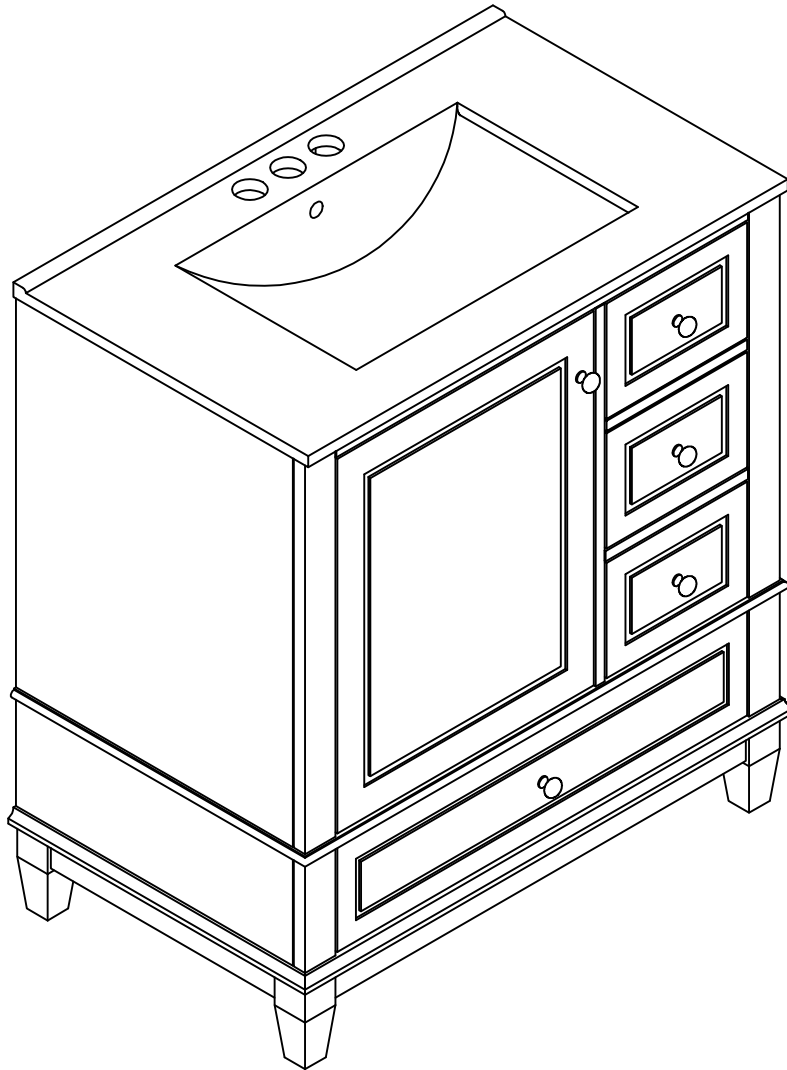


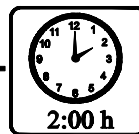
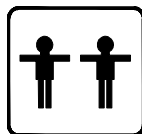
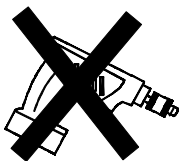
ASSEMBLY INSTRUCTION

30INCH BATH VANTINY (COMBO)

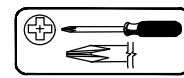


Thank you for purchasing this quality product. Be sure to check all packing material carefully for small parts which may have come loose inside the carton during shipment. Separate, identify and count all parts and hardware. Compare with the parts list to be sure all parts are present.
"DO NOT TIGHTEN SCREWS UNTIL COMPLETELY ASSEMBLED"

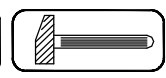
*** Use of power tool to assemble this product will invalidate any claim and damage this product making unsafe !!!**
*** Please assemble on a clean soft surface to avoid damage.**



Tools Required



(Not included)



(Not included)

IMPORTANT:

PLEASE READ INSTRUCTION BEFORE STARTING THE ASSEMBLY

PLEASE DO NOT RETURN TO STORE



**Please do not return this product to the retailer!!
We are able to assist you in ANY way**

If you find that you have any trouble with assembly or missing or damaged parts please contact the seller.

1. Note: This is not a clothing storage cabinet and it is not recommended to use it as a clothing storage cabinet.
2. All cabinets come with TRD, stainless steel or our "L-Bracket "when shipped.

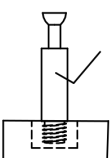
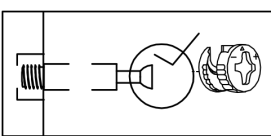
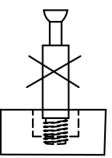
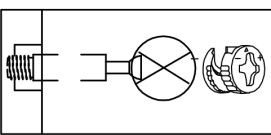
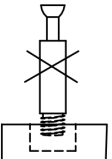
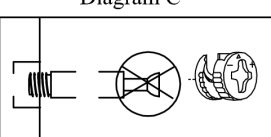
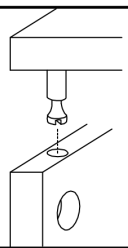
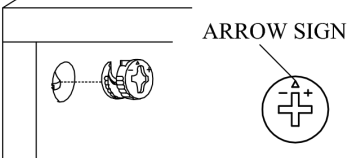
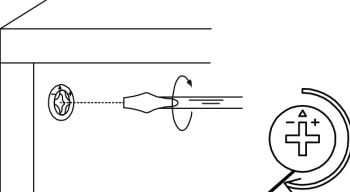
Before Installation

Important – Please read these instructions fully before starting assembly

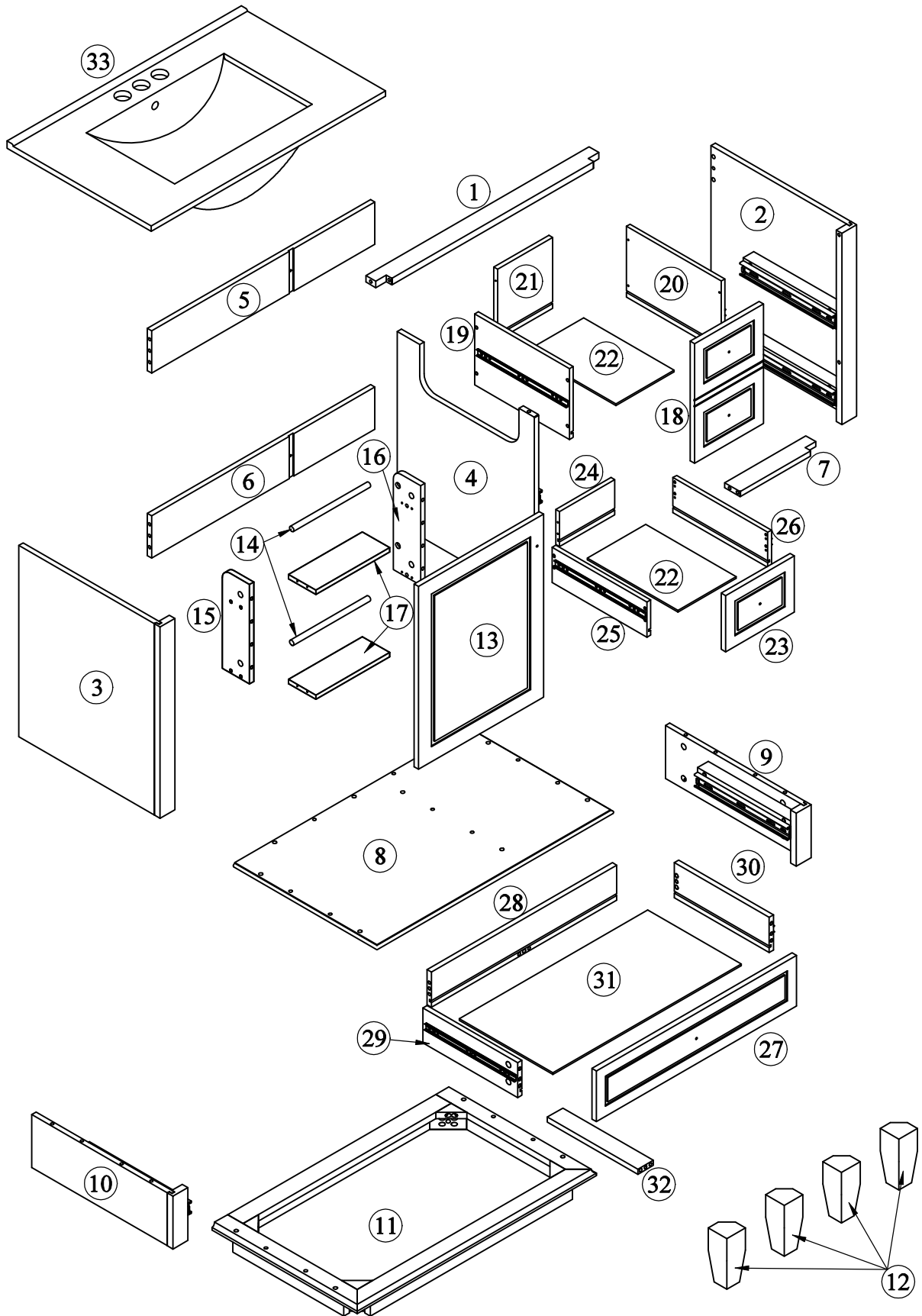
Thank you for purchasing this quality product. Be sure to check all packing materials carefully for small parts, which may have come loose inside the carton during shipment. Identify and count all items according to the PARTS LIST and/or HARDWARE LIST shown below. Check you have all the components and tools listed on the following pages.

- We recommend that you assemble this product with the assistance of another person; this will make the assembly easier, and will help eliminate damage to the product or injury to persons during assembly.
- Please do not over tighten screws or bolts until the assembly is completed.
- Keep children and animal away from the work area, small parts could choke if swallowed.
- Please put all parts on a non-abrasive floor before assembly, and follow the assembly steps to assemble your newly purchased product correctly and efficiently.

Cam Lock Assembly Instructions

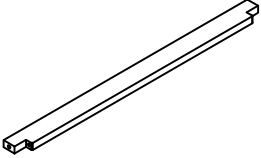
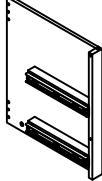
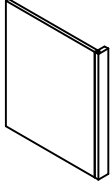
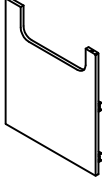
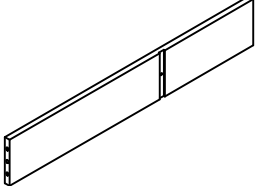
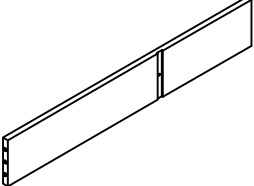
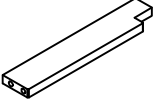
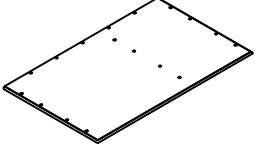
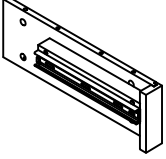
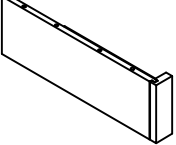
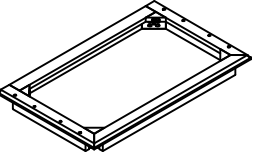
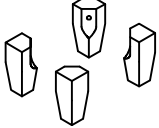
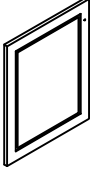
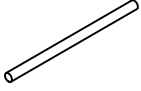
		Diagram A Insert Cam Bolt into hole as shown in diagram A.
		Diagram B Make sure not to insert the Cam Bolt: Too deep as shown in figure B as this will cause the Cam Lock to be misaligned and unable to interlock properly.
		Diagram C Also avoid inserting the Cam Bolt too close to the surface of the hole as shown in figure C, as this will cause the Cam Lock to be too loose, and not interlock properly.
		Connect the panels together.
	ARROW SIGN	Insert the Cam Lock so the side opening fits over the head of the Cam Bolt.
		To tighten the Cam Lock, turn it clockwise on half a turn with a flat screwdriver. <i>*Do not use an automatic screwdriver as it may bend or break if too much power is imposed.</i>

Detail View - CABINET



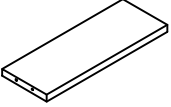
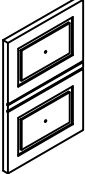
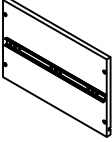
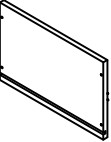
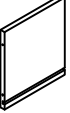
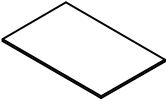
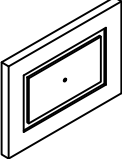
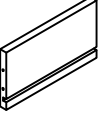
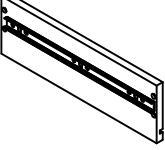
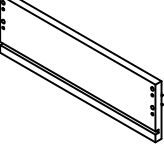
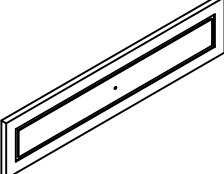
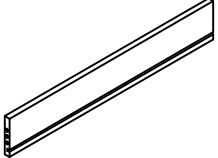


Identifying the Hardware - Identify the hardware using the illustrations below.

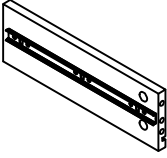
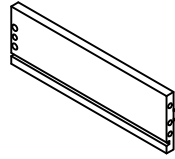
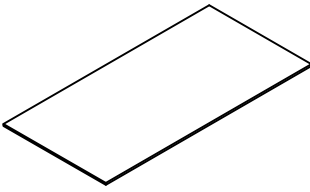
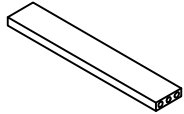
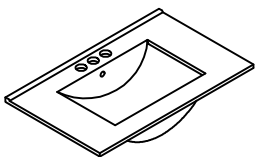
Part List

<p>1</p>  <p>Front Top Bar - 1pc</p>	<p>2</p>  <p>Top Side Panel (R) - 1pc</p>
<p>3</p>  <p>Top Side Panel (L) - 1pc</p>	<p>4</p>  <p>Mid Panel - 1pc</p>
<p>5</p>  <p>Top Panel Rear - 1pc</p>	<p>6</p>  <p>Bottom Panel Rear - 1pc</p>
<p>7</p>  <p>Crossbar Front - 1pc</p>	<p>8</p>  <p>Mid Panel - 1pc</p>
<p>9</p>  <p>Bottom Side Panel (R) - 1pc</p>	<p>10</p>  <p>Bottom Side Panel (L) - 1pc</p>
<p>11</p>  <p>Bottom Frame - 1pc</p>	<p>12</p>  <p>Cabinet Feet - 4pcs</p>
<p>13</p>  <p>Door - 1pc</p>	<p>14</p>  <p>Round Bar - 2pcs</p>

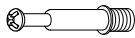





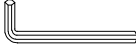

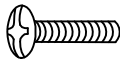
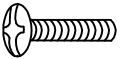
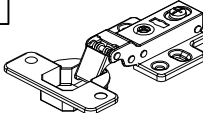

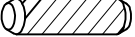
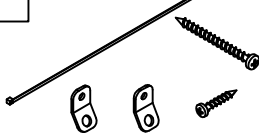
Part List

<p>15</p>  <p>Left Panel of Door - 1pc</p>	<p>16</p>  <p>Right Panel of Door (R) - 1pc</p>
<p>17</p>  <p>Mid Panel of Door - 2pcs</p>	<p>18</p>  <p>Top Drawer Face - 1pc</p>
<p>19</p>  <p>Top Drawer Side Panel (L) - 1pc</p>	<p>20</p>  <p>Top Drawer Side Panel (R) - 1pc</p>
<p>21</p>  <p>Top Drawer Back Panel - 1pc</p>	<p>22</p>  <p>Top Drawer Bottom Panel - 2pcs</p>
<p>23</p>  <p>Mid Drawer Face - 1pc</p>	<p>24</p>  <p>Mid Drawer Back Panel - 1pc</p>
<p>25</p>  <p>Mid Drawer Side Panel (L) - 1pc</p>	<p>26</p>  <p>Mid Drawer Side Panel (R) - 1pc</p>
<p>27</p>  <p>Bottom Drawer Face - 1pc</p>	<p>28</p>  <p>Bottom Drawer Back Panel - 1pc</p>

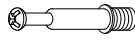



Part List

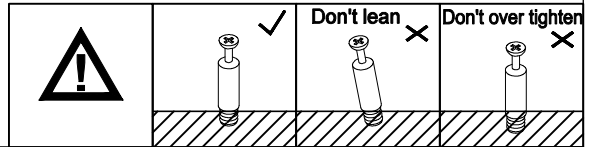
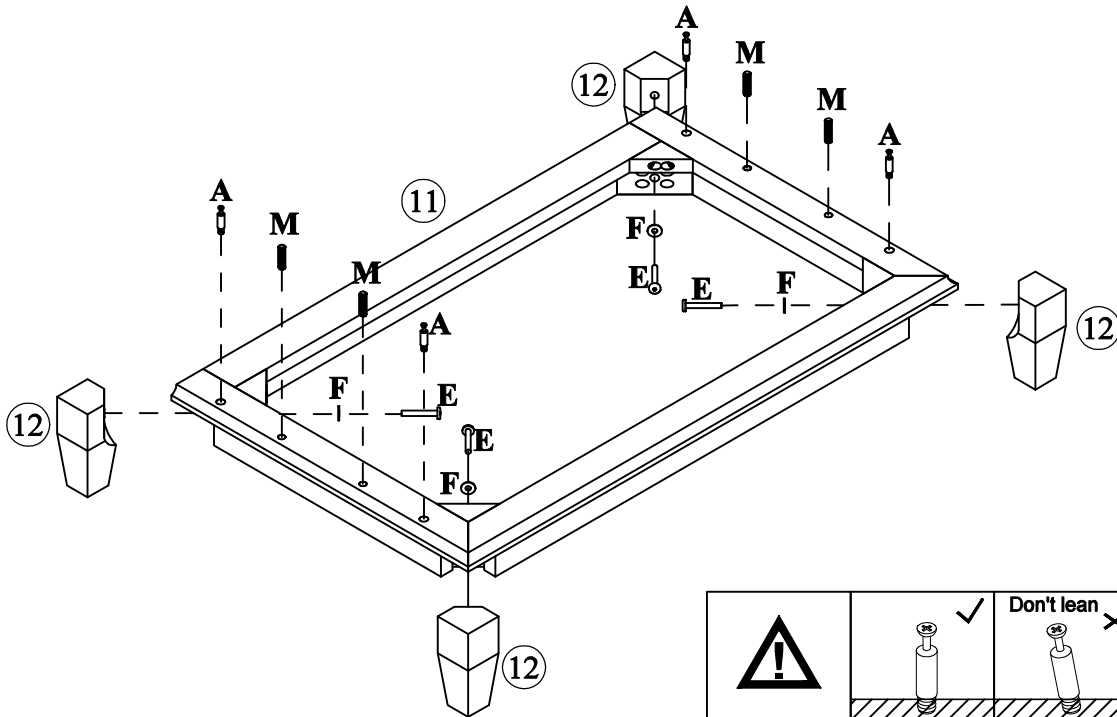
29  Bottom Drawer Side Panel (L) - 1pc	30  Bottom Drawer Side Panel (R) - 1pc
31  Bottom Drawer Bottom Panel - 1pc	32  Bottom Drawer Bottom Bar - 1pc
33  Sink - 1pc	

Hardware List


A  ø6x35mm	B  ø14.5x12mm	C  ø8xø4x32mm
Three in one bolts - 48pcs	Three in one lock - 48pcs	Round head screw - 16pcs
D  ø8xø4x25mm	E  ø13x1/4"x40mm	F  ø1/4"x16x1mm
Round head screw - 2pcs	Hex-Head bolts - 4pcs	Washer - 4pcs
G  4mm	H  ø24x24mm	I  ø5/32"x19mm
Allen key - 1pc	Handle - 5pcs	Handle screw - 3pcs
J  ø5/32"x32mm	K 	L  ø7xø3.5x15mm
Handle screw - 2pcs	Damping hinge - 2pcs	Flat head screw - 12pcs
M  ø8x30mm	N 	
Wood dowel - 44pcs	Anti fall hardware (1set)	

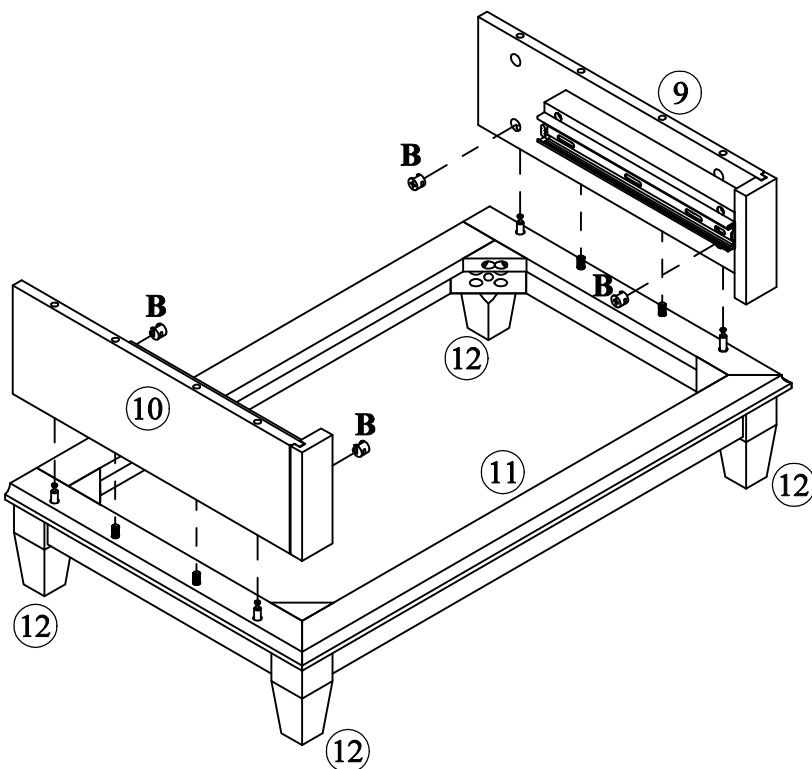
STEP: 1

A	E	F	M
			
4PCS	4PCS	4PCS	4PCS



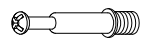
STEP: 2

B

4PCS

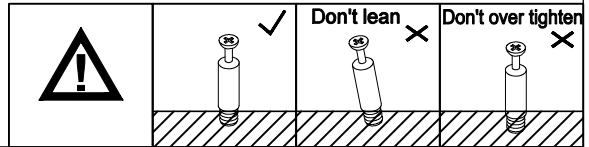
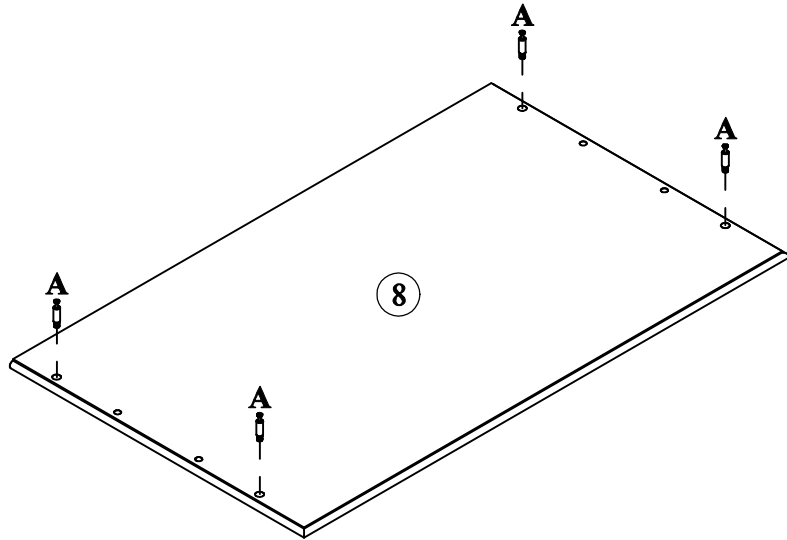


STEP: 3

A



4PCS



STEP: 4

B

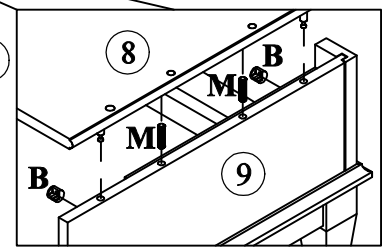
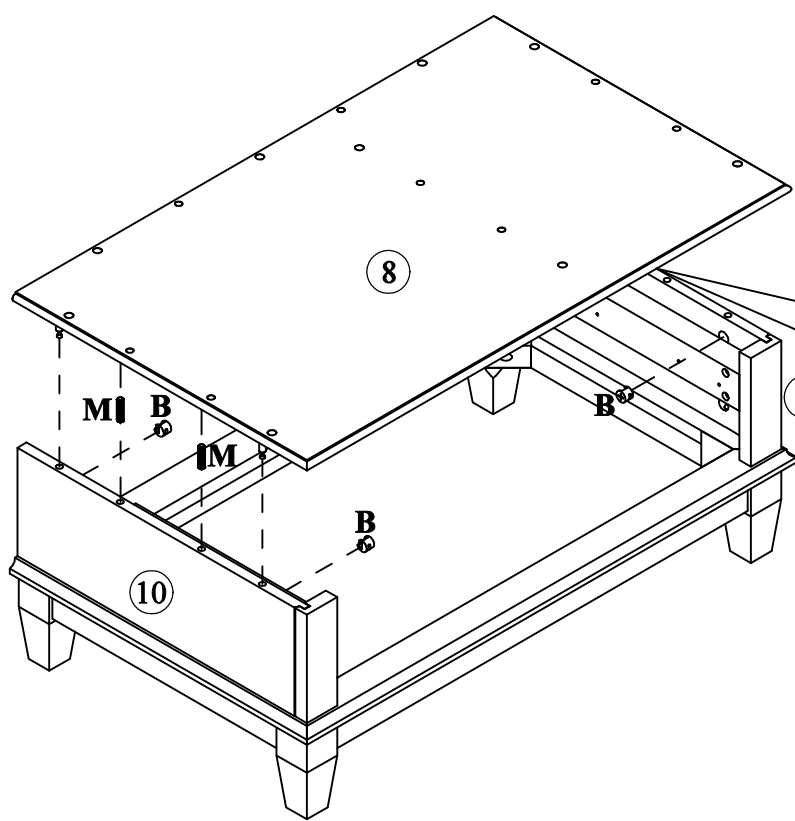


4PCS

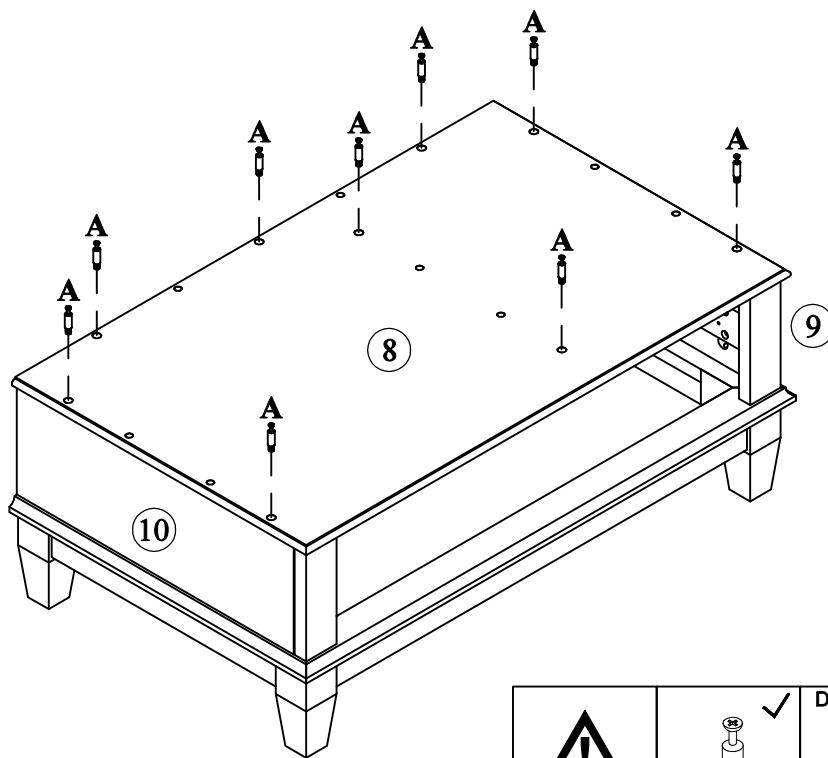
C



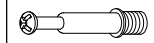
4PCS



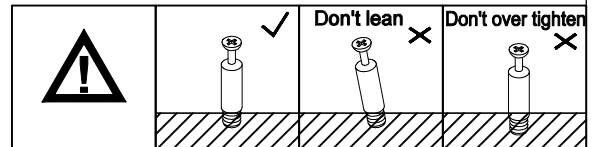
STEP: 5



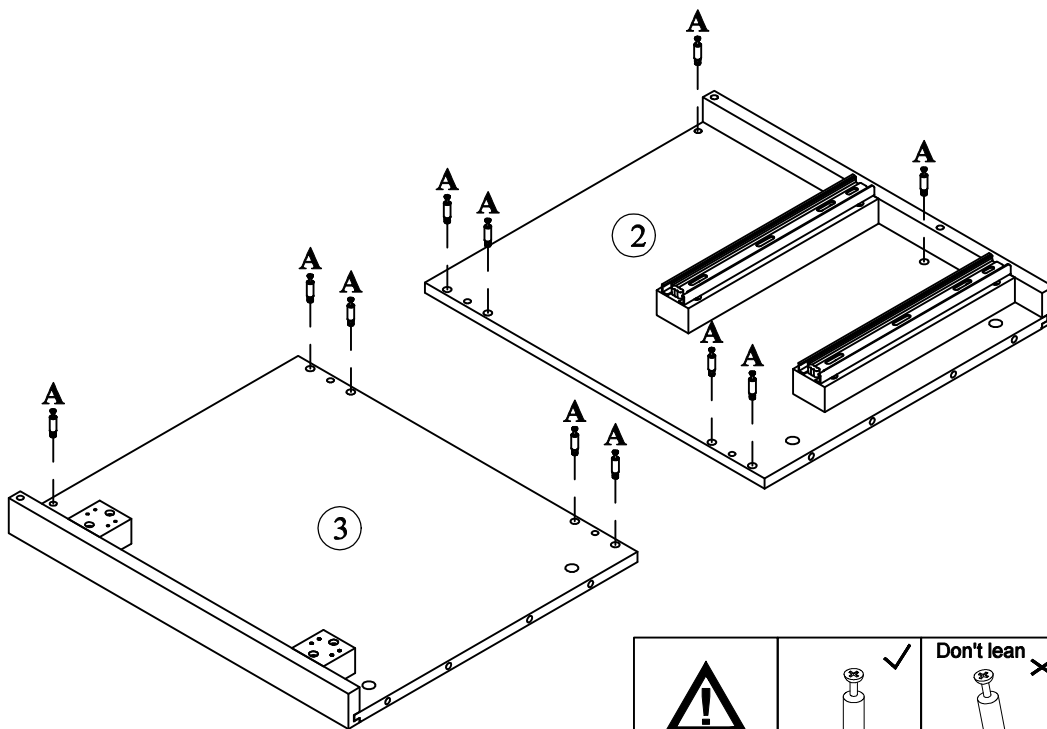
A



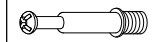
9PCS



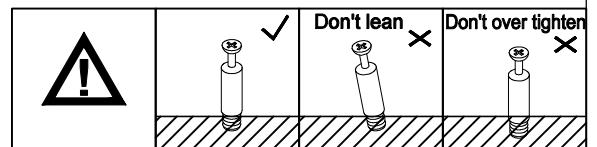
STEP: 6



A

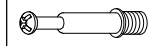


11PCS

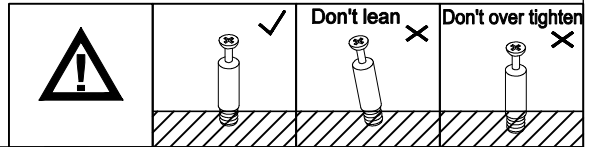
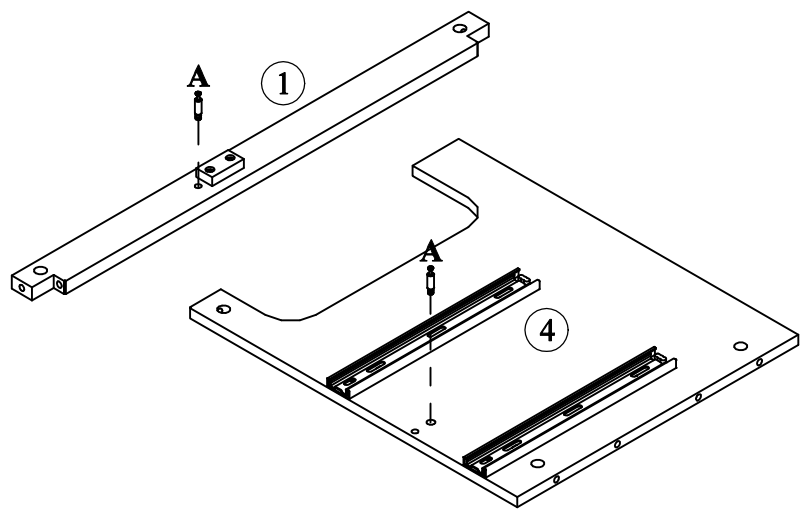


STEP: 7

A

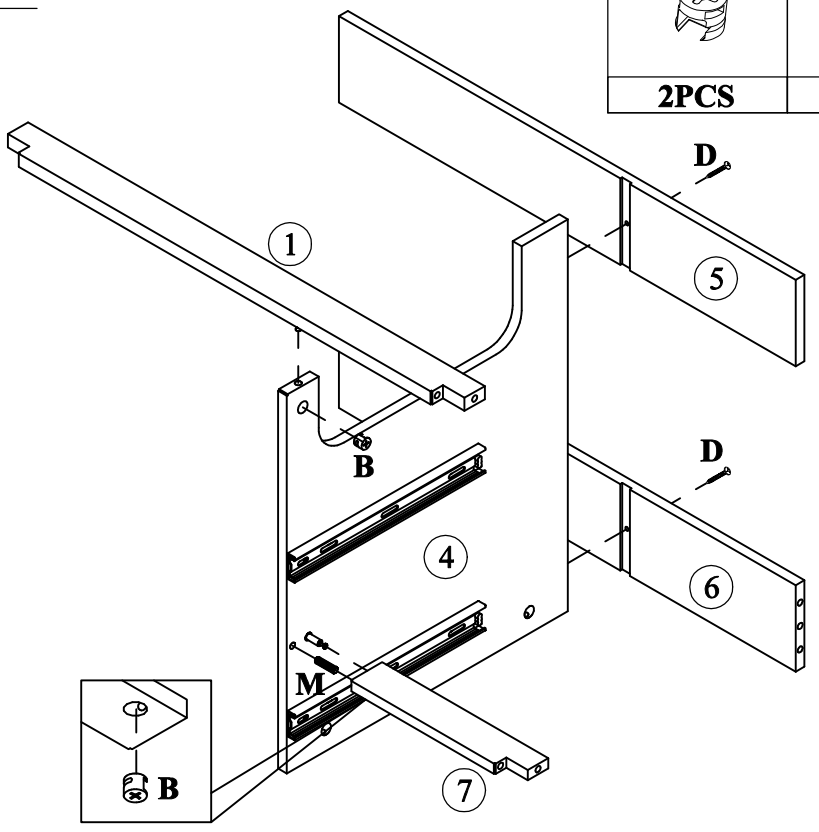


2PCS


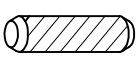


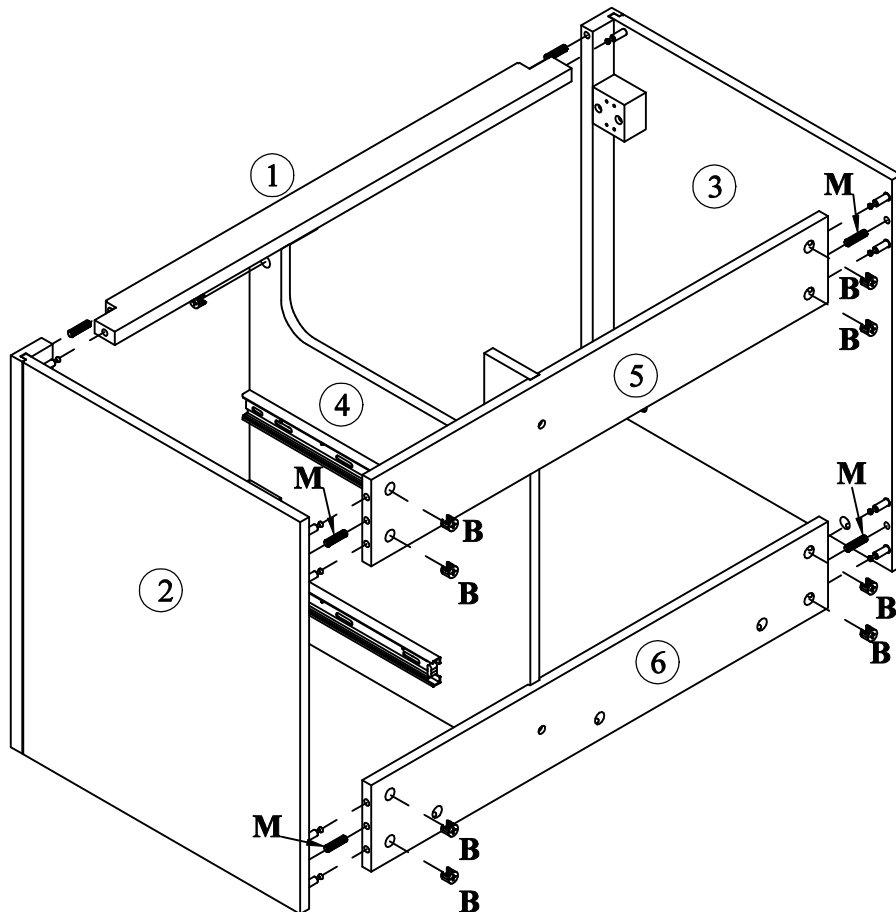
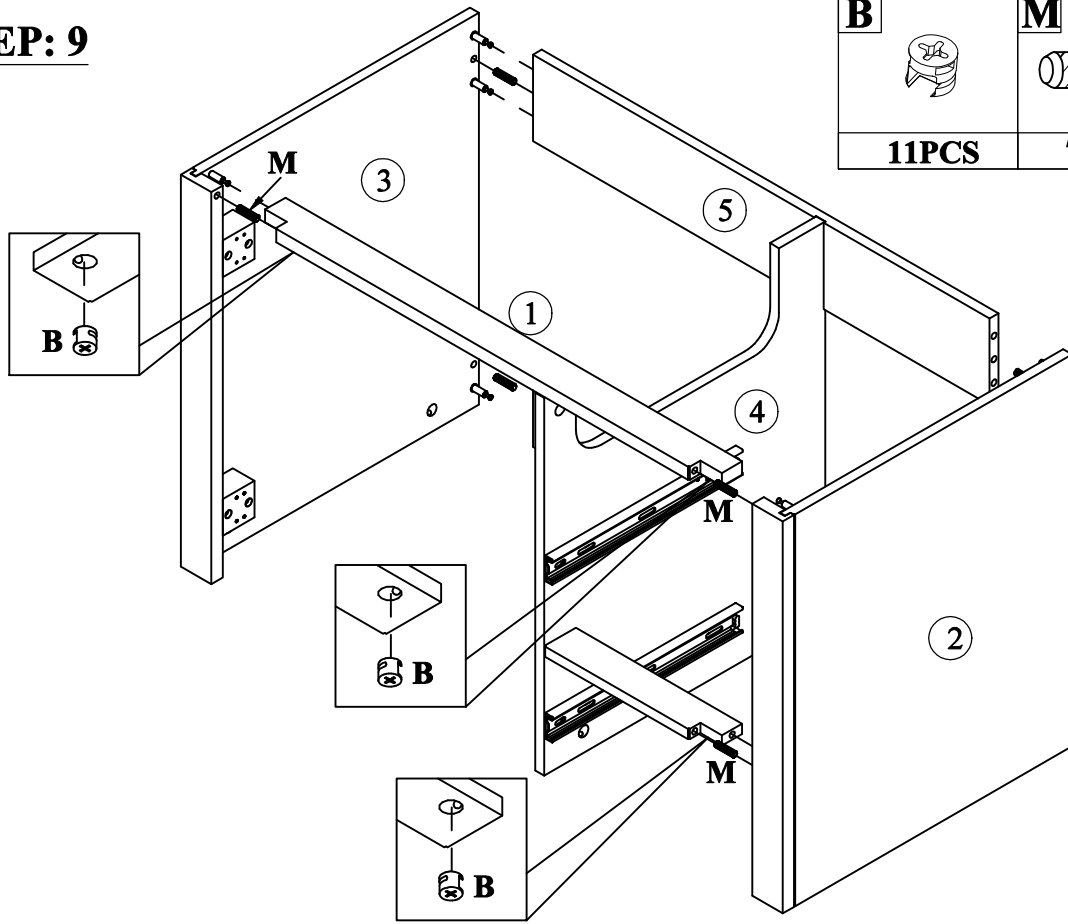
STEP: 8

B	D	M
2PCS	2PCS	1PC


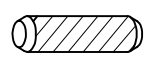


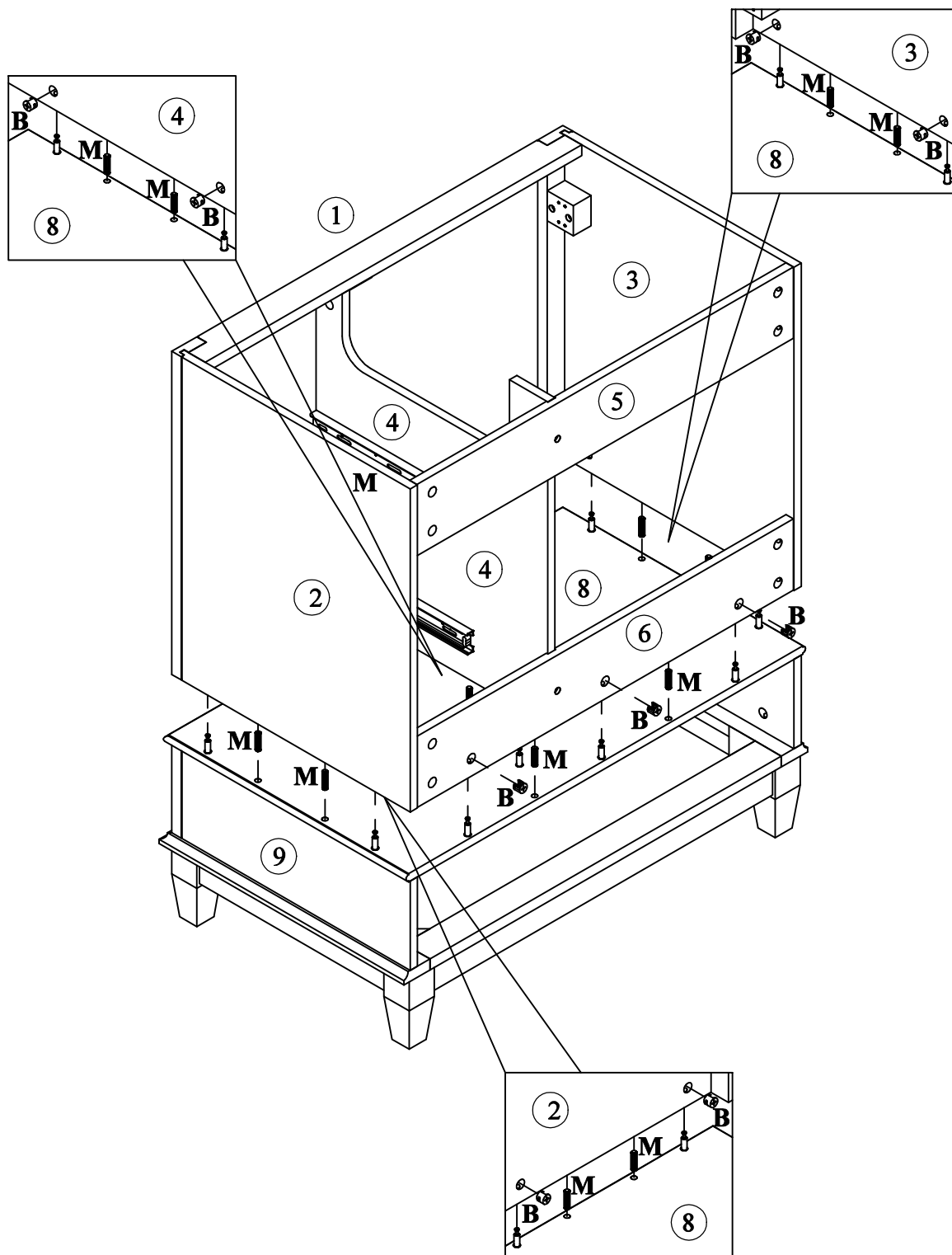
STEP: 9

B	M
	
11PCS	7PCS



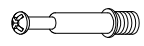
STEP: 10

B		M	
9PCS		8PCS	

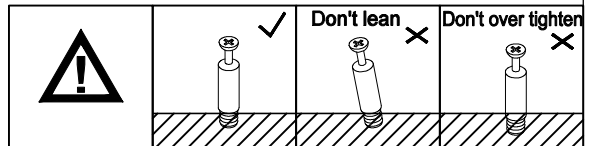
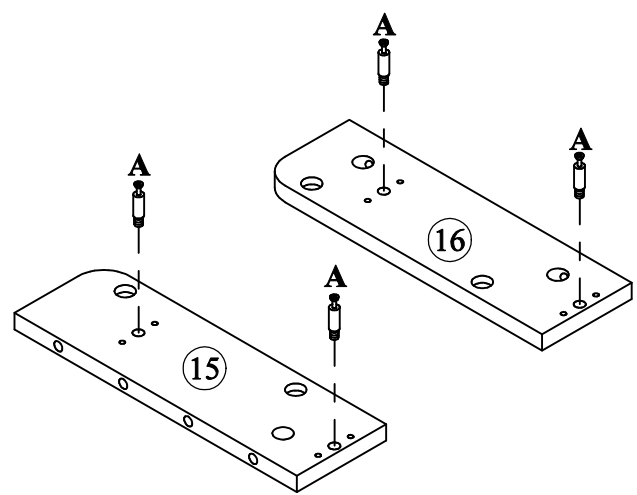
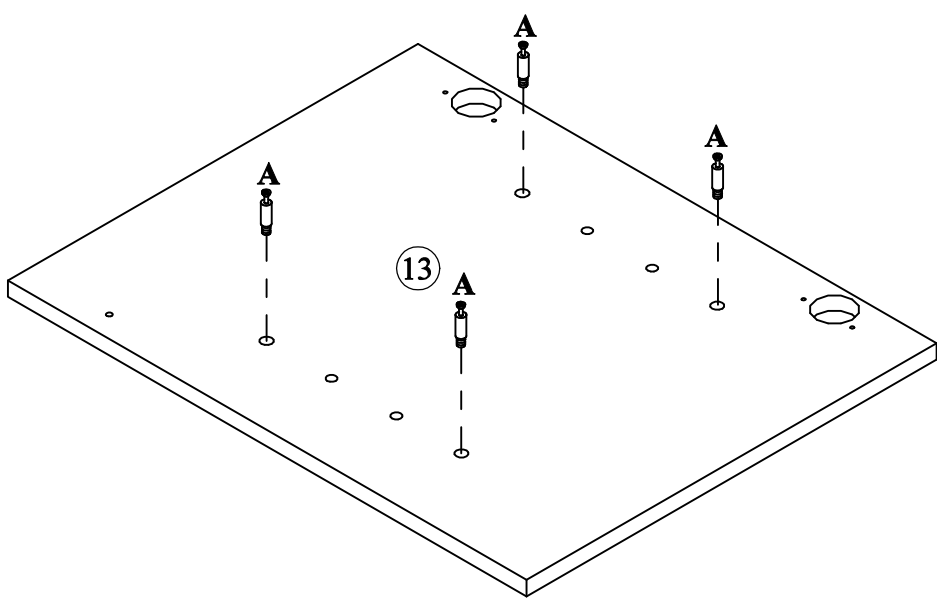


STEP: 11




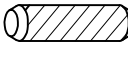
A

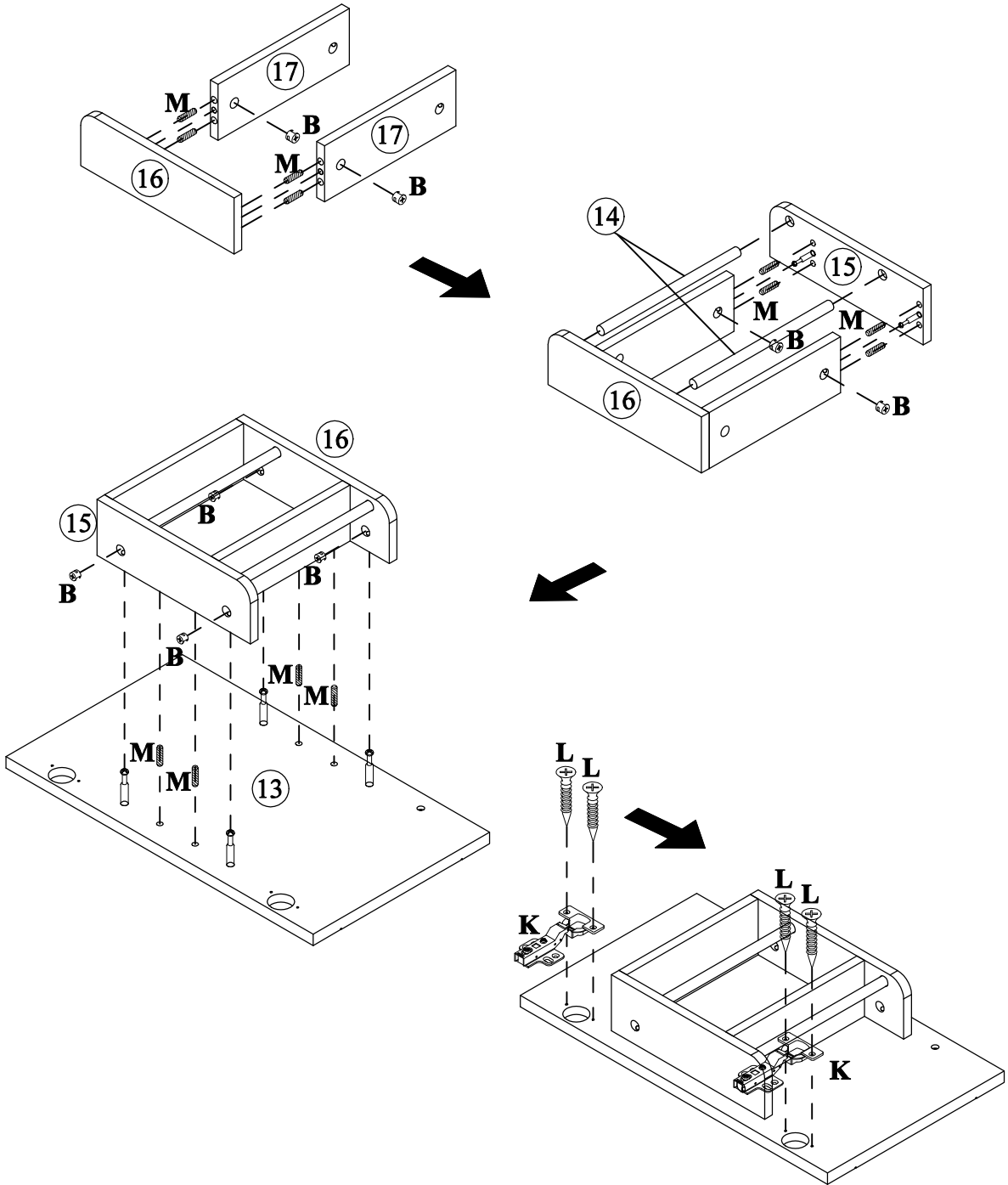


8PCS


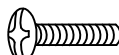



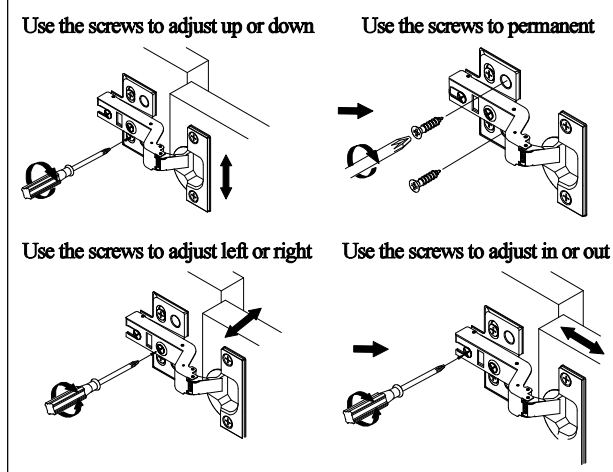
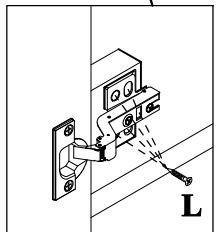
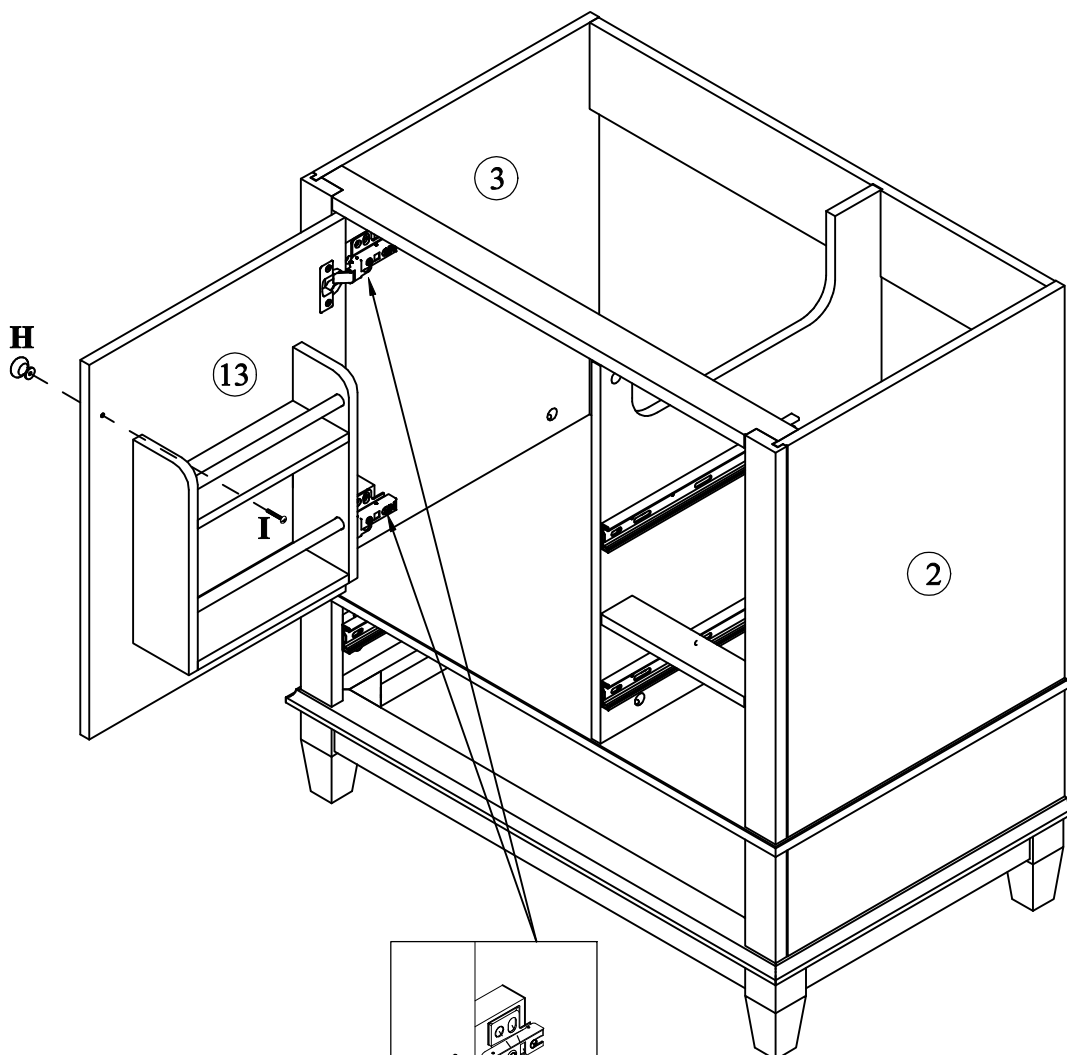
STEP: 12

B 	K 	L 	M 
8PCS	2PCS	4PCS	12PCS



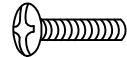
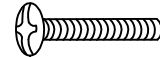


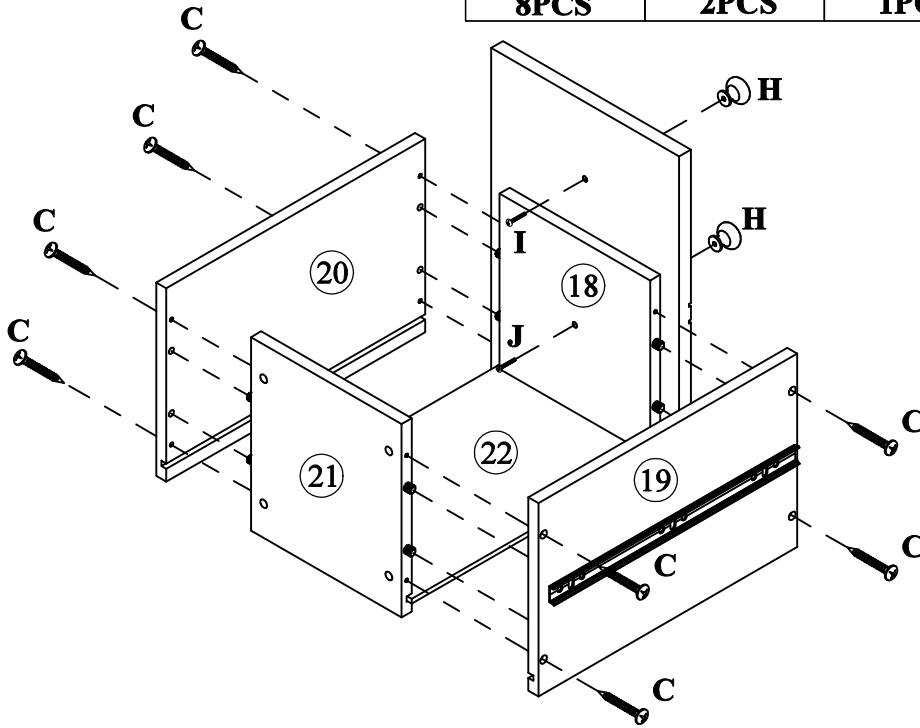
STEP: 13

H	I	L
		
1PC	1PC	8PCS






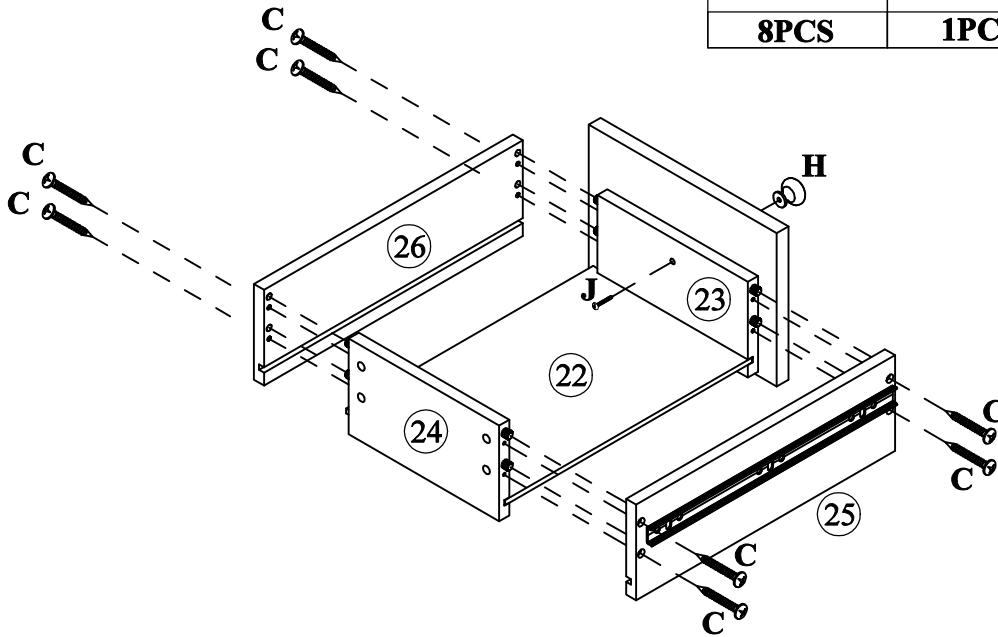
STEP: 14

C	H	I	J
			
8PCS	2PCS	1PC	1PC



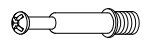
STEP: 15

C	H	J
		
8PCS	1PC	1PC

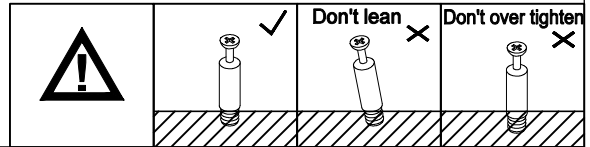
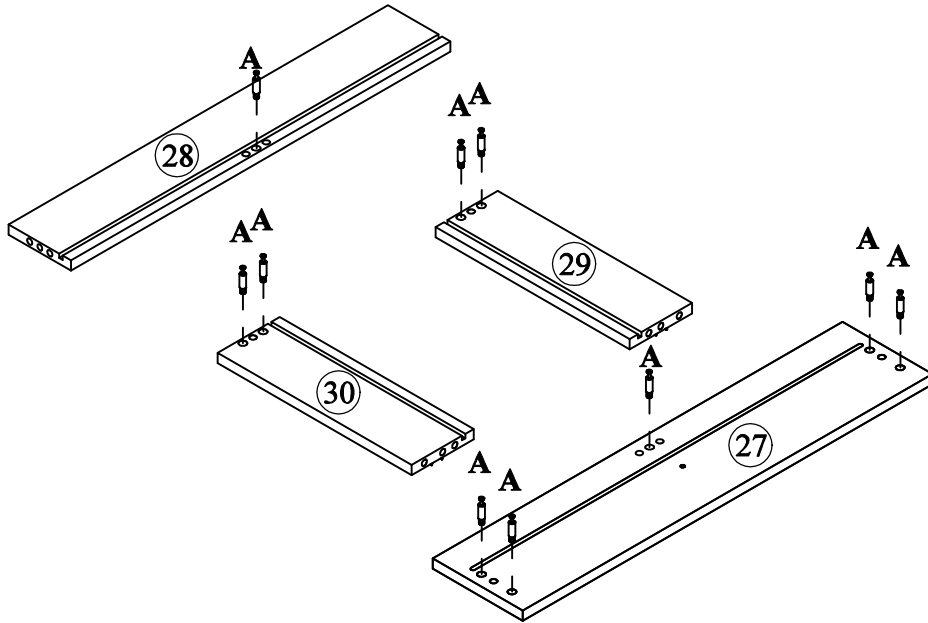


STEP: 16

A



10PCS



STEP: 17

B

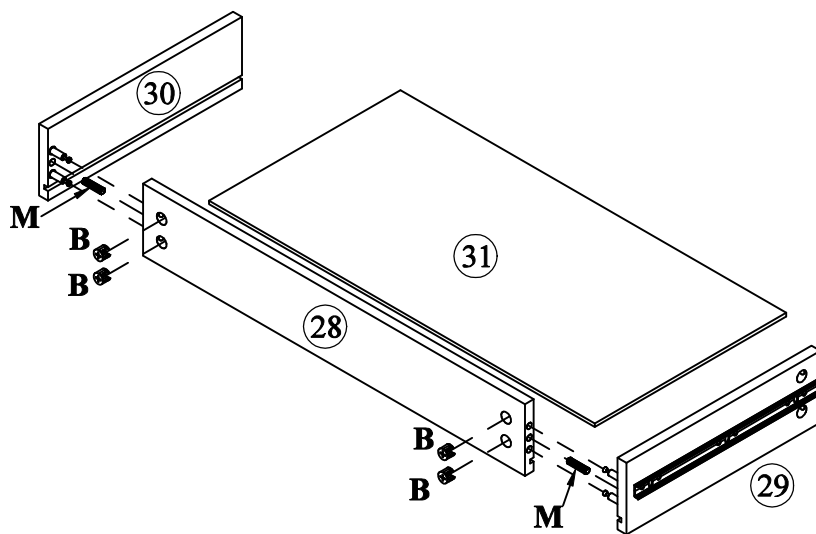


4PCS



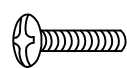
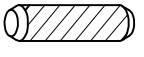
M

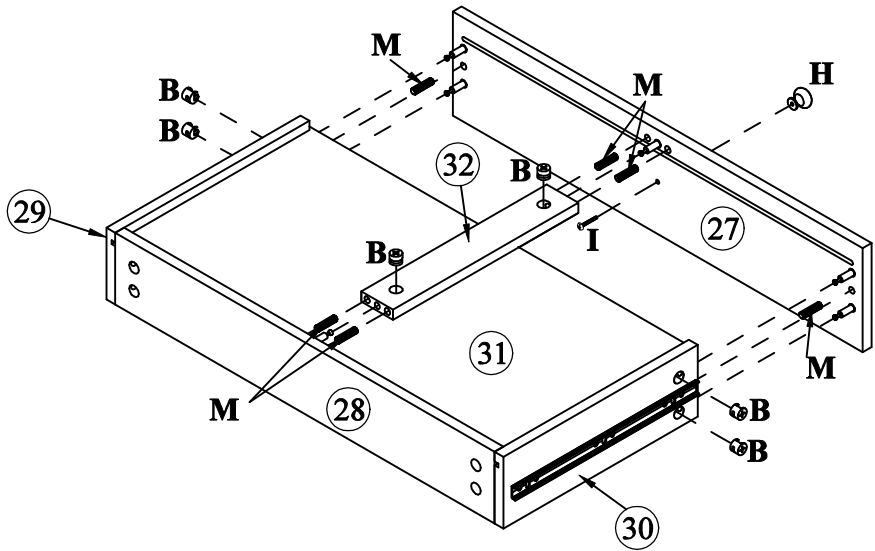


2PCS

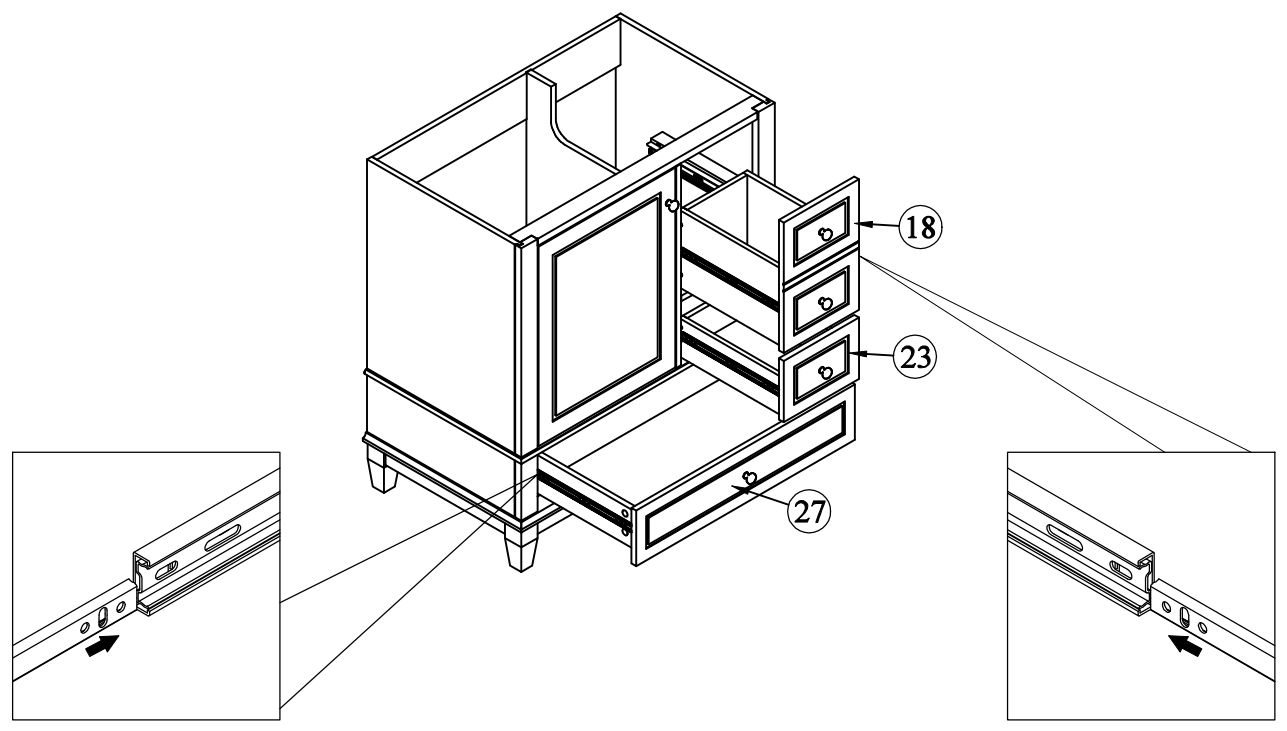


STEP: 18

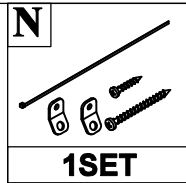
B	H	I	M
			
6PCS	1PC	1PC	6PCS



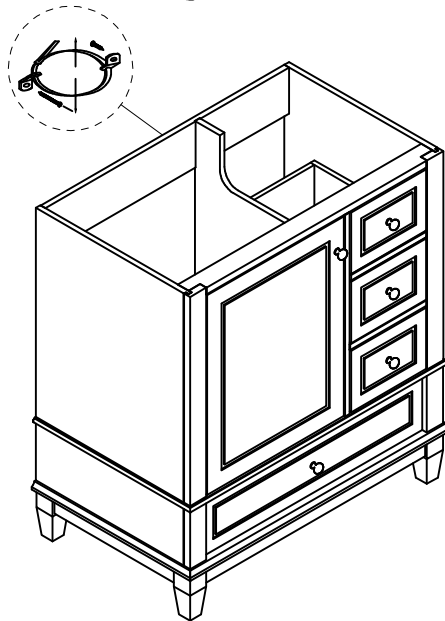
STEP: 19



STEP: 20

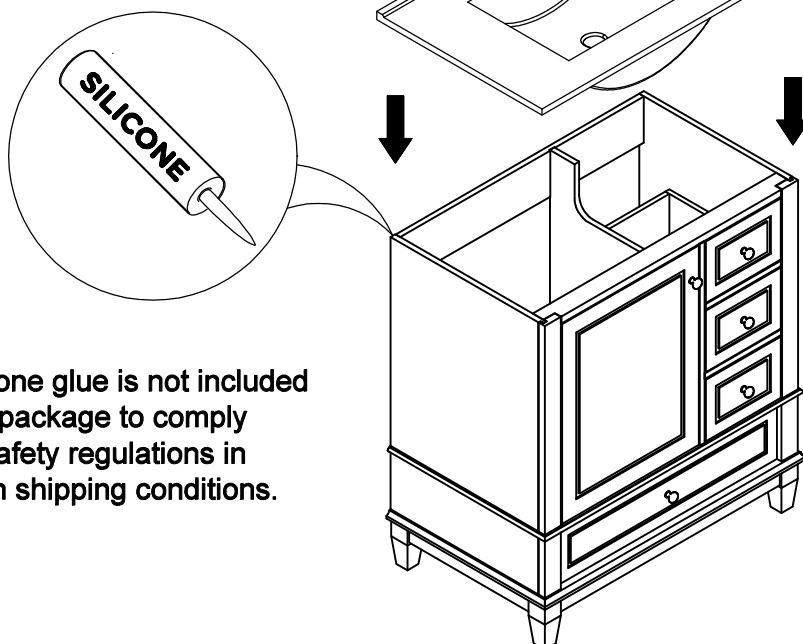


Wall



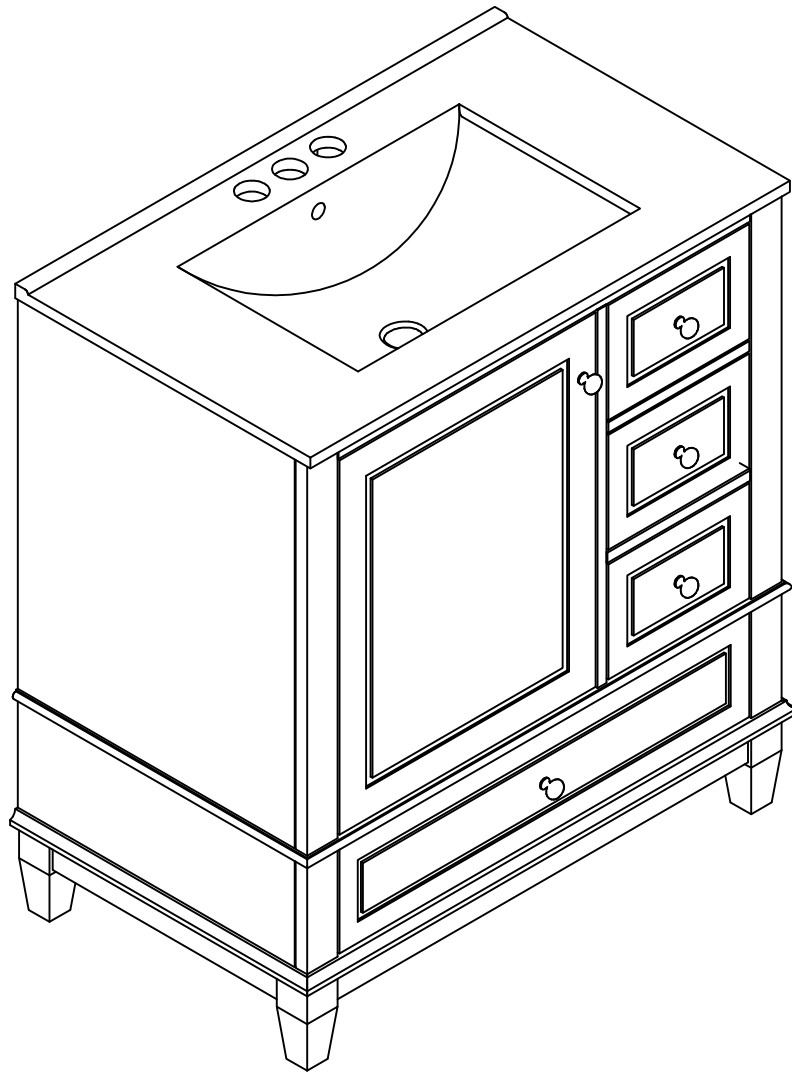
STEP: 21

Install the sink on the cabinet with glue.
Let stand for 24 hours

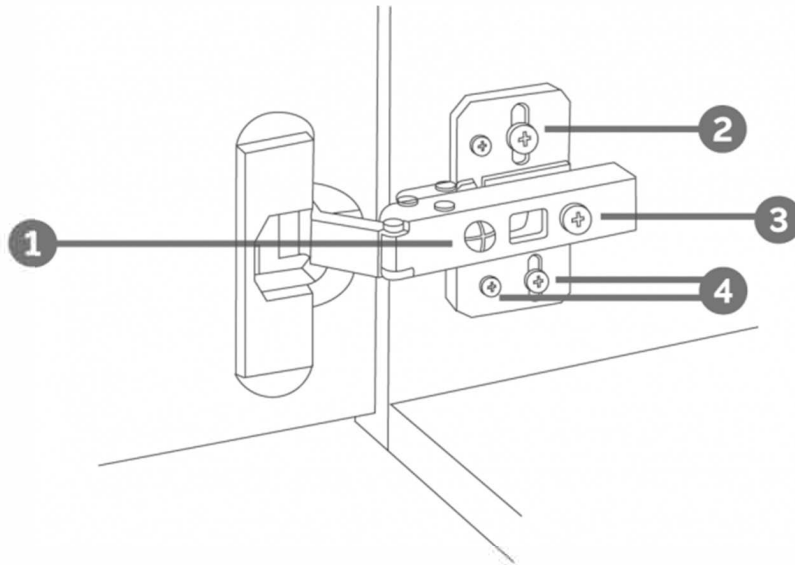


*Silicone glue is not included
in the package to comply
with safety regulations in
certain shipping conditions.

STEP: 22

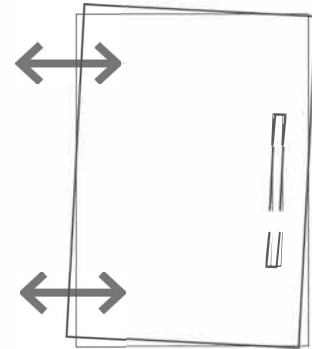


HINGE ADJUSTMENTS



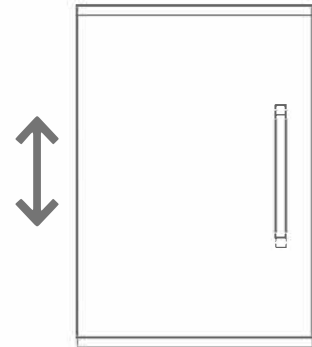
1 Sideways / Tilt adjustment

Turn the screw
clockwise to move the door further away from
the side of the cabinet
anticlockwise to move the door closer to the
side of the cabinet



2 4 Height adjustment

While supporting the weight of the door, turn the
screws
clockwise to move the door up
anticlockwise to move the door down



3 Forward and back adjustment

If the gap between the back of the door and the
cabinet is too small, and the door may not close
fully. Turn the screw
clockwise to decrease the gap between the
door and the cabinet
anticlockwise to increase the gap between the
door and the cabinet

