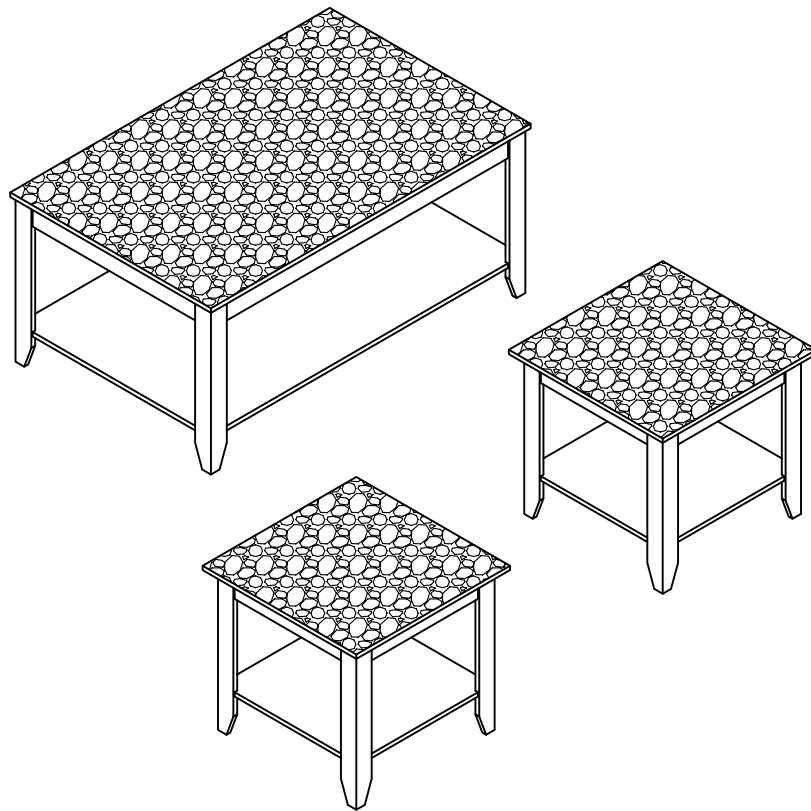


# ASSEMBLY INSTRUCTIONS COASTER FINE FURNITURE



*Fine Furniture for every stage of life*

# ASSEMBLY INSTRUCTIONS

## ASSEMBLY TIPS:

- 1.Remove hardware from box and sort by size.
- 2.Please check to see that all hardware and parts are present prior to start of assembly.
- 3.Please follow attached instructions in the same sequence as numbered to assure fast & easy assembly.

### Warning !!

1. Don't attempt to repair or modify parts that are broken or defective. Please contact the store immediately.
2. This product is for home use only and not intended for commercial establishment.

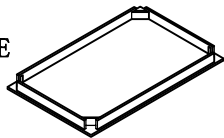


**ASSEMBLY TIME**

**30 MINUTES**

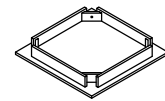
## PARTS IDENTIFICATION

(A) WOOD TOP-COFFEE TABLE



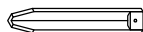
1 PC

(D) WOOD TOP-END TABLE



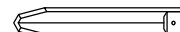
2 PCS

(B) LEG-COFFEE TABLE



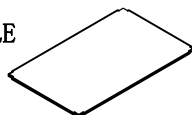
4 PCS

(E) LEG-END TABLE



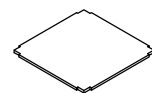
8 PCS

(C) BOTTOMPANEL-COFFEE TABLE






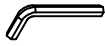
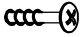
1 PC

(F) BOTTOM PANEL-END TABLE



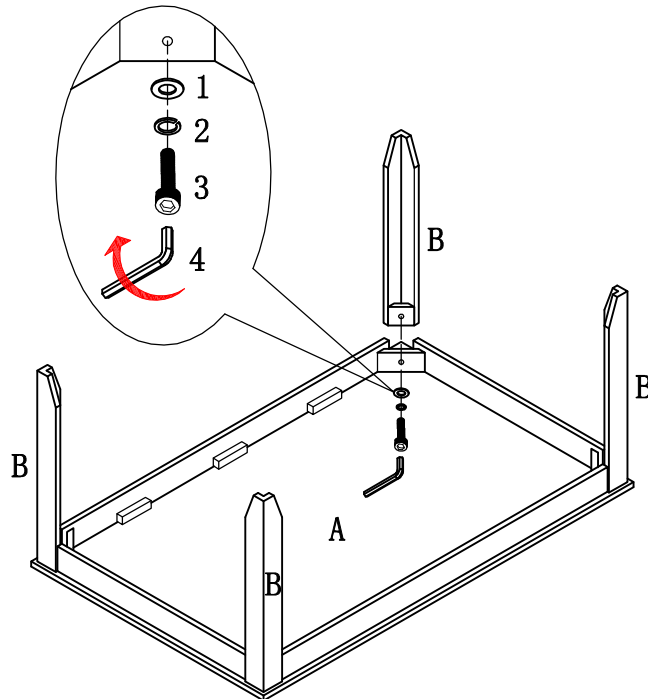
2 PCS

## HARDWARE IDENTIFICATION

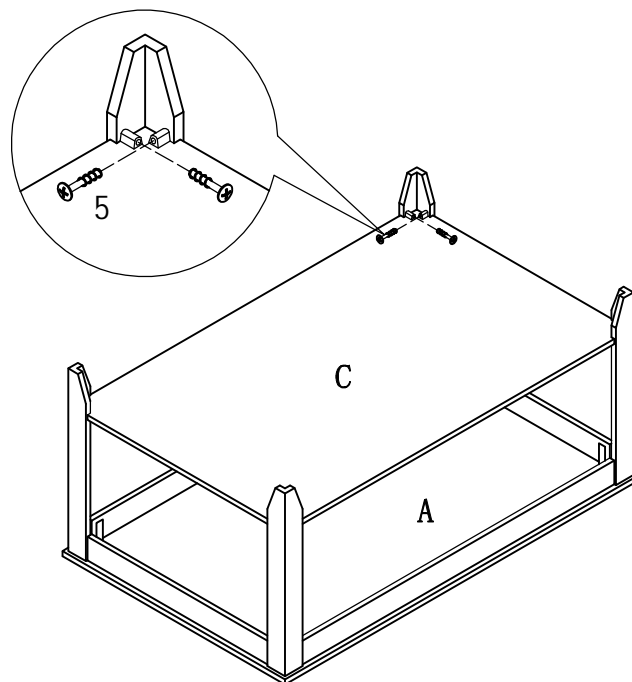
1	WASHER	ø5/16*22mm		12pcs
2	LOCK WASHER	ø5/16mm		12pcs
3	BOLT	ø5/16*2-1/4" mm		12pcs
4	ALLEN WRENCH	5mm		1pc
5	SCREWS	3mm		24pcs

# ASSEMBLY INSTRUCTIONS

## STEP 1

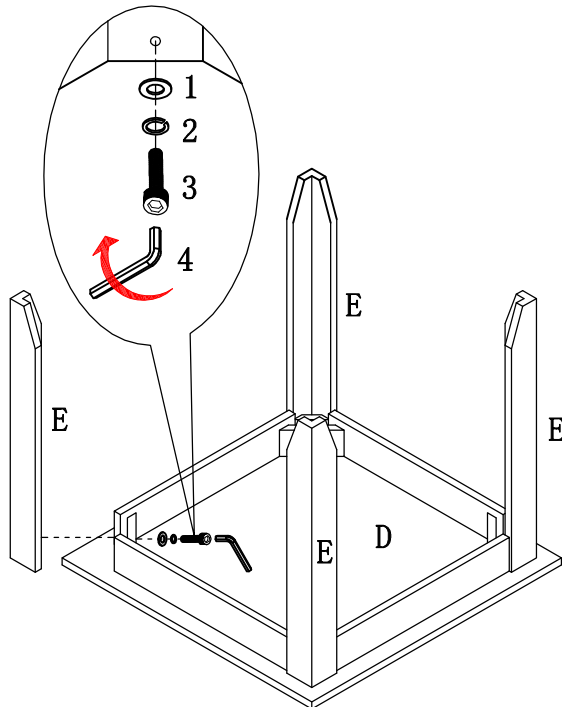


## STEP 2

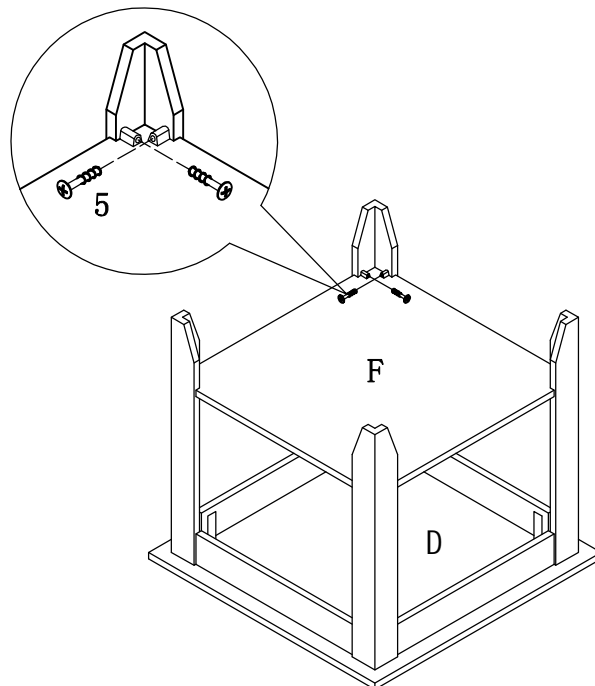


# ASSEMBLY INSTRUCTIONS

## STEP 3



## STEP 4



# DIMENSION

