

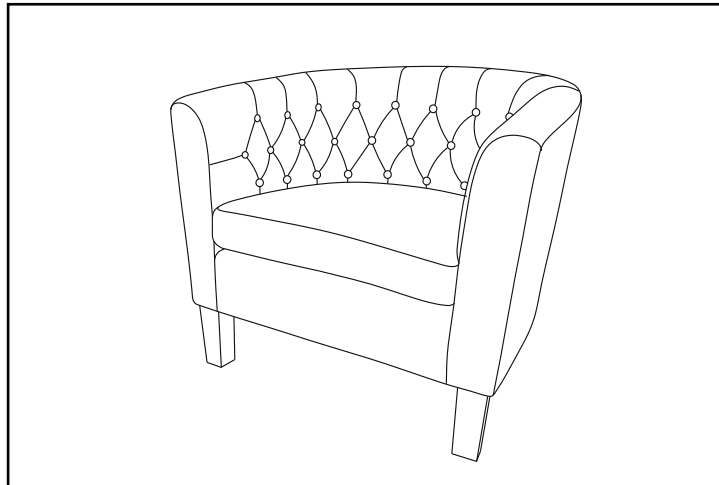
INSTRUCTION MANUAL ENCLOSED

ATTENTION

**IF YOU HAVE ANY PROBLEMS OR QUESTIONS, EMAIL OR CALL
CUSTOMER SERVICE BEFORE YOU RETURN THIS PRODUCT TO
THE STORE WHERE IT WAS PURCHASED.**

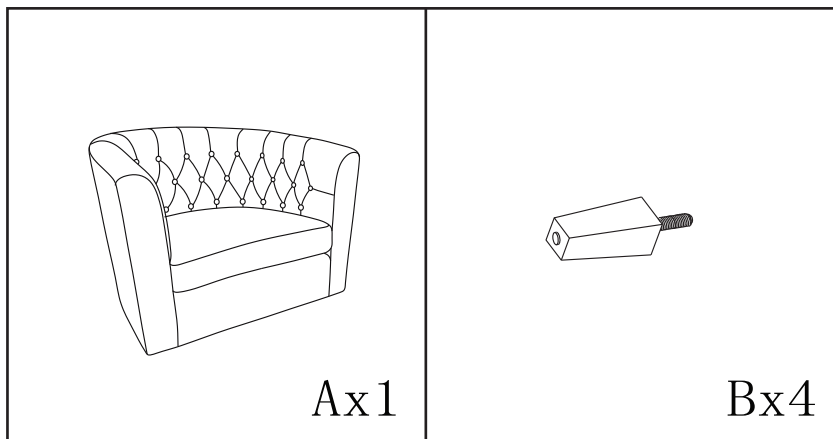
INSTRUCTION MANUAL ENCLOSED

INDOOR ACCENT CHAIR INDOOR ACCENT CHAIR ASSEMBLY INSTRUCTION



PARTS LIST

Part	Description	Quantity
A	<i>PARTS</i> Chair Top	1
B	Legs	4



PLEASE READ AND FOLLOW ALL SAFETY TIPS

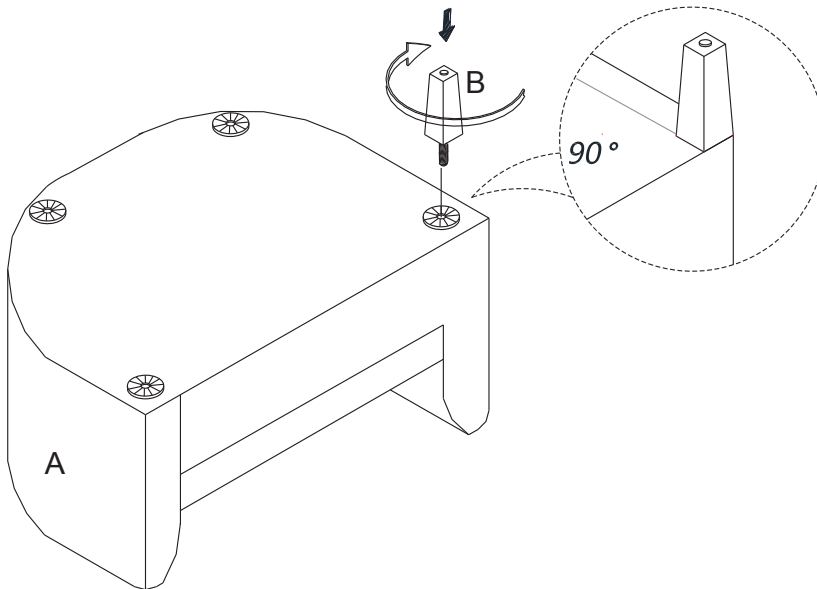
GETTING STARTED

1. Before assembly, **CAREFULLY** use scissors or utility knife to cut and unwrap all parts. Make sure you do not discard the hardware.

Warm Tips:

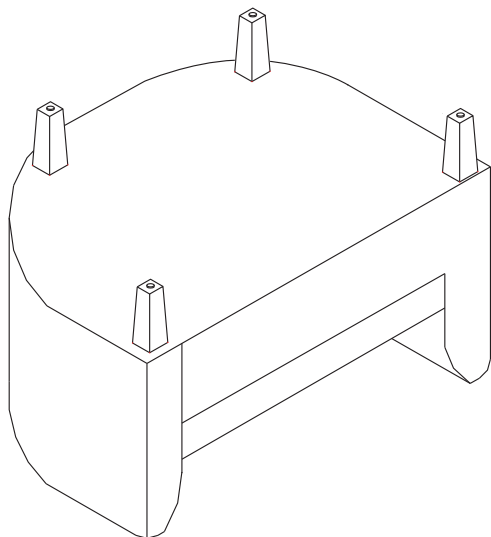
1. The plastic covers on some metal parts are just for product protection. Please remove it before assembly.
2. Please follow the sequence of AI during assembly.
3. Do not tighten the screws until all of them are in right positions.

1. Locate legs(B) to the Chair Top(A) by the pre-drilled threads.



-----Photo 1

2. According to the first step assemble other 3 legs.(Photo 2)



-----Photo 2

Till now you have finished the whole assembly and enjoy your furniture!