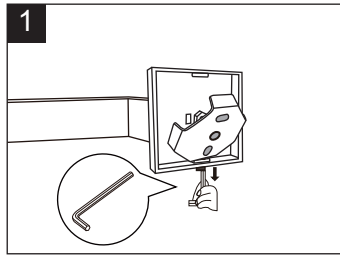
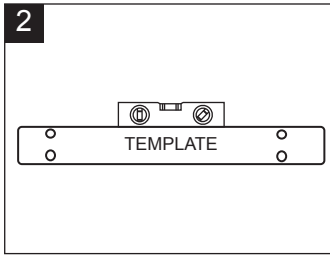


INSTALLATION INSTRUCTIONS

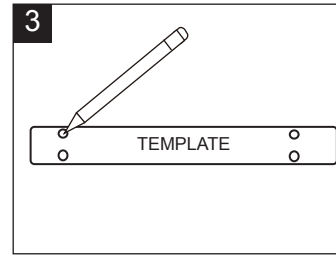
MODEL B20A6



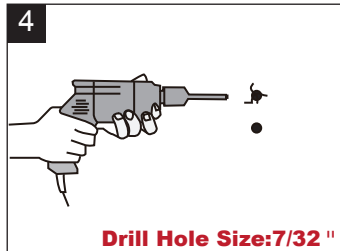
Use the Hexagon wrench to remove the hex screw first. Then take out the bracket from the back of the holder.



Choose the installation position and put the level on the template to make sure its horizontal.

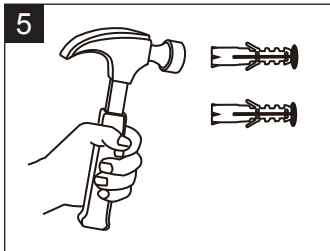


Use pencil to draw the position of the screw hole in the template.

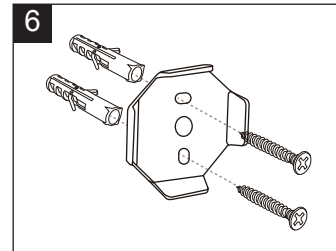


Drill Hole Size: 7/32"

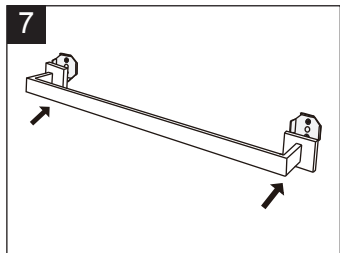
Measure the center distance of the hole on the wall first, then drill the hole.



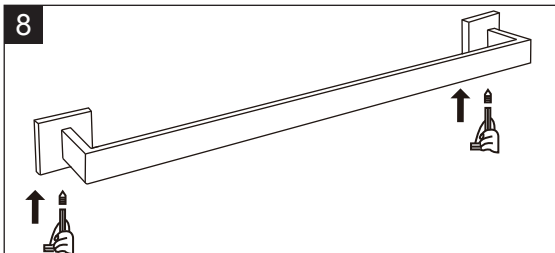
Hammer the anchor into the wall.



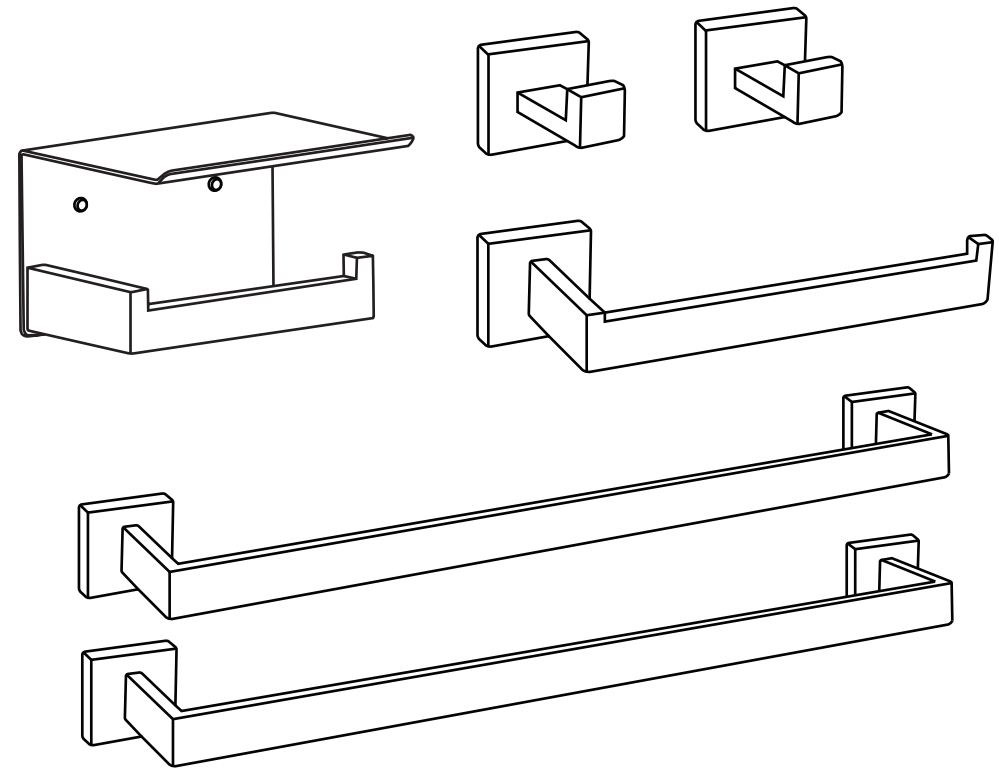
Place the bracket on the wall hole and insert the screw into the hole, then fasten with the phillips screwdriver.



Put the hardware body onto the base bracket.



Fasten the hex screw with the hex wrench.



support@kokosirihome.com

Installation Support
Missing Parts
Damaged Product



NOTE : If you return the package, please put hardware, screws and installation guide back into the package. Thanks!

Please feel free contact us via e-mail if installation hardware **NOT** included.

Thank you for selecting our product. To ensure that your installation proceeds smoothly, read these instructions carefully before you begin. Also, review the recommended tools and materials section. Carefully unpack and examine your new plumbing fixture.

CAUTION

Please call professional if you are uncertain about installing this product.

Recommended Tools



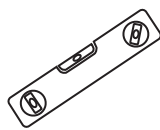
Pencil



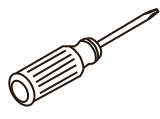
Electric drill



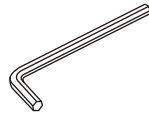
Hammer



Level



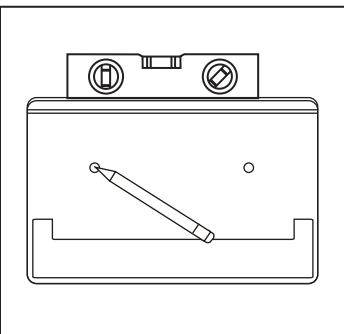
Phillips
screwdriver



Hexagon
wrench

INSTALLATION

INSTALLATION

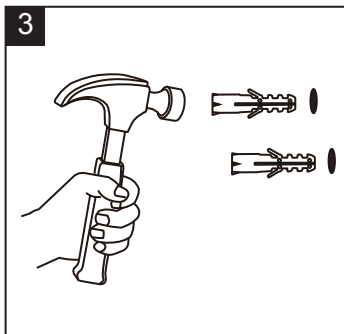


Place the toilet paper (TP) holder on wall to confirm the installation position and put the level on TP holder to make sure its horizontal. Then use pencil to draw a position of the screw hole.

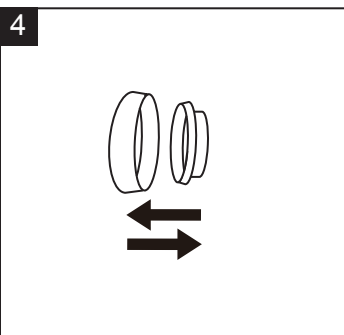


Measure the center distance of the hole on the wall first, then drill the hole.

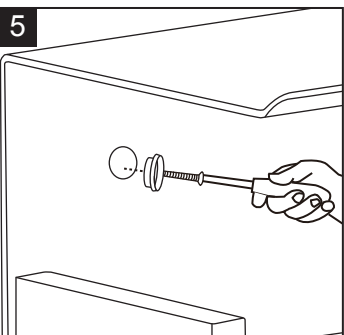
Drill Hole Size: 7/32"



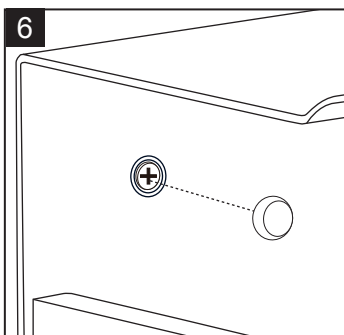
Hammer the anchor into the wall.



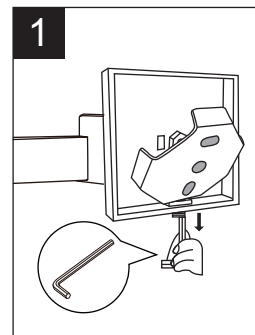
The "o" rings might be hidden inside the caps & must be removed in order to complete step 6.



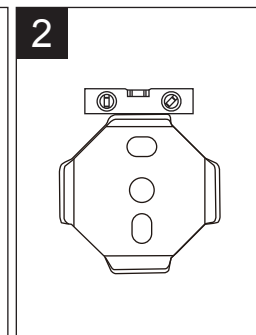
Place the TP holder on the wall and put the O-ring on the TP holder. Then insert the screw into the O-ring and the hole, and fasten the screw with the phillips screwdriver.



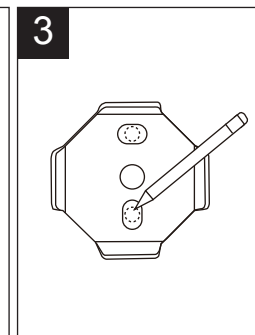
Put the cap onto the screws.



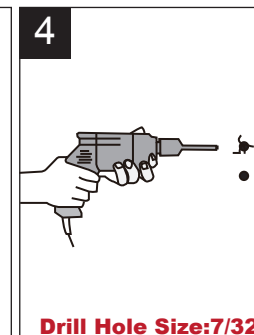
Use the hex wrench to remove the hex screw. Then take out the bracket on the back of holder.



Choose the installation position and put the level on the bracket to make sure its horizontal.

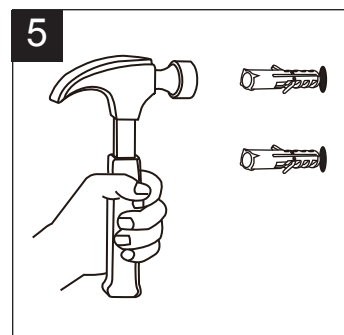


Use pencil to draw the position of the screw hole in the bracket.

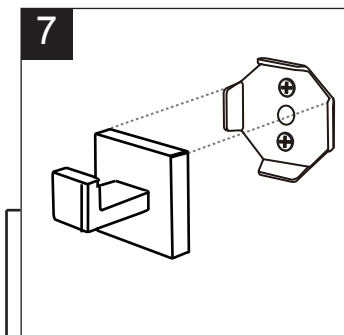


Measure the center distance of the hole on the wall first, then drill the hole.

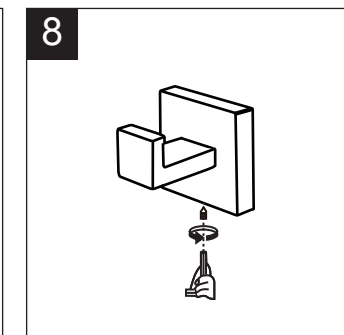
Drill Hole Size: 7/32"



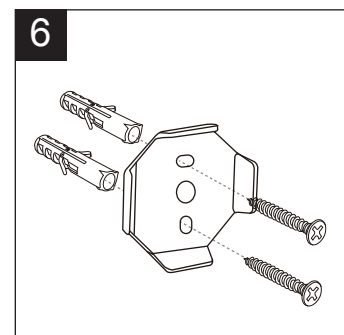
Hammer the anchor into the wall.



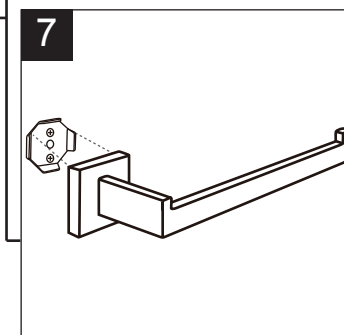
Put the hardware body onto the base bracket.



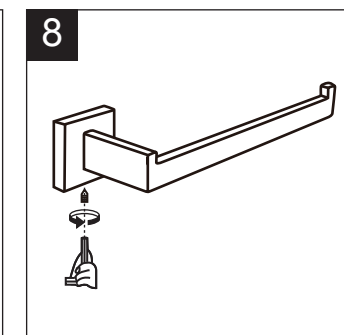
Fasten the hex screw with the hex wrench.



Place the bracket on the wall hole and insert the screw into the hole, then fasten with the phillips screwdriver.



Put the hardware body onto the base bracket.



Fasten the hex screw with the hex wrench.