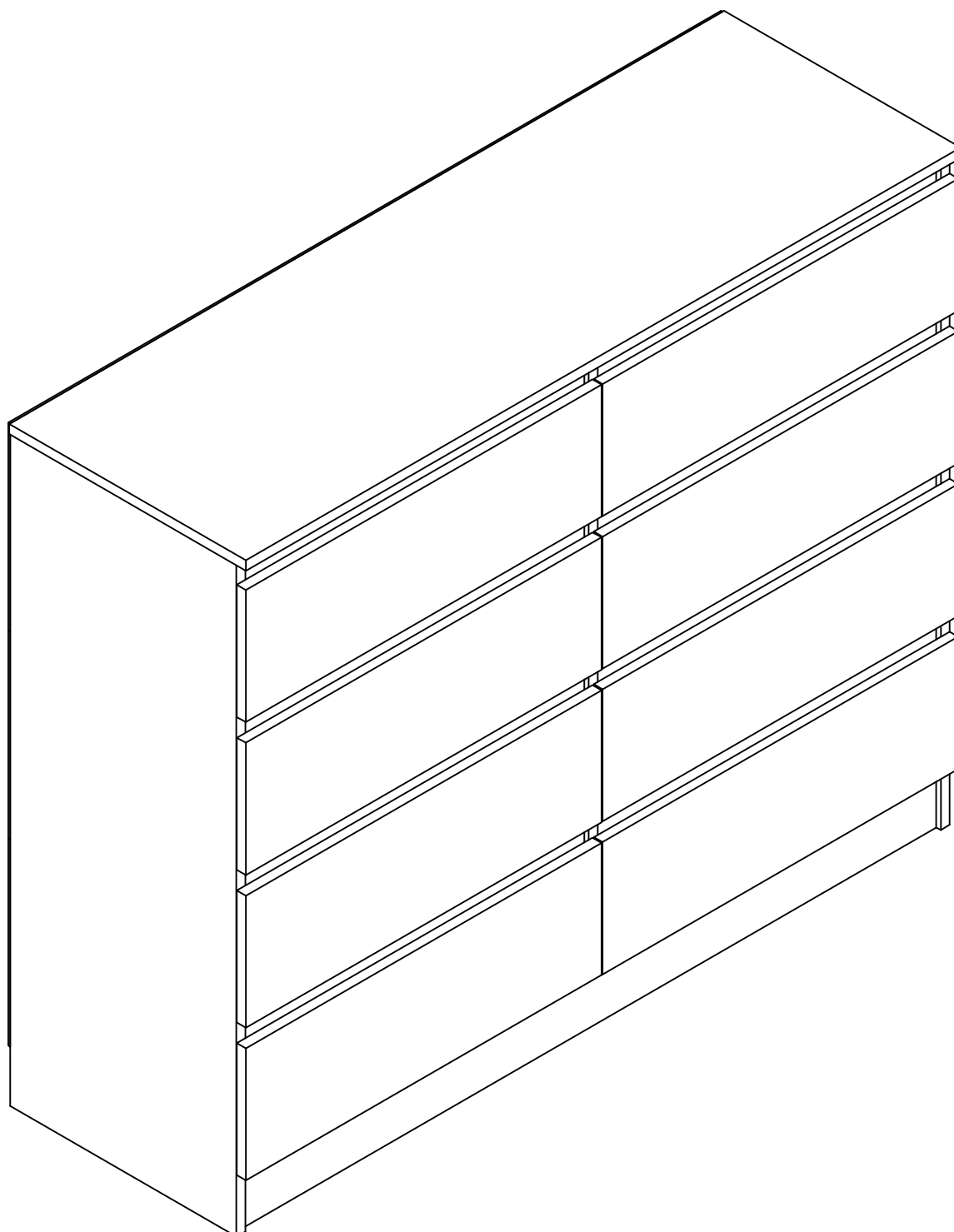


CARLTON 4+4 DRAWER CHEST

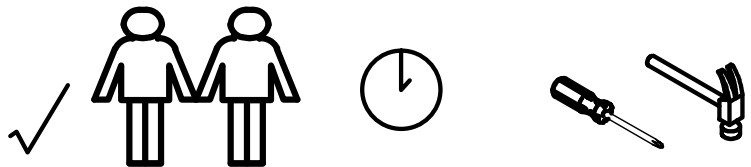
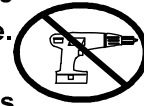
ASSEMBLY INSTRUCTION - Please Keep For Future Reference



Safety and Care Advice

IMPORTANT - Please Read This Instruction Carefully Before Assembly.

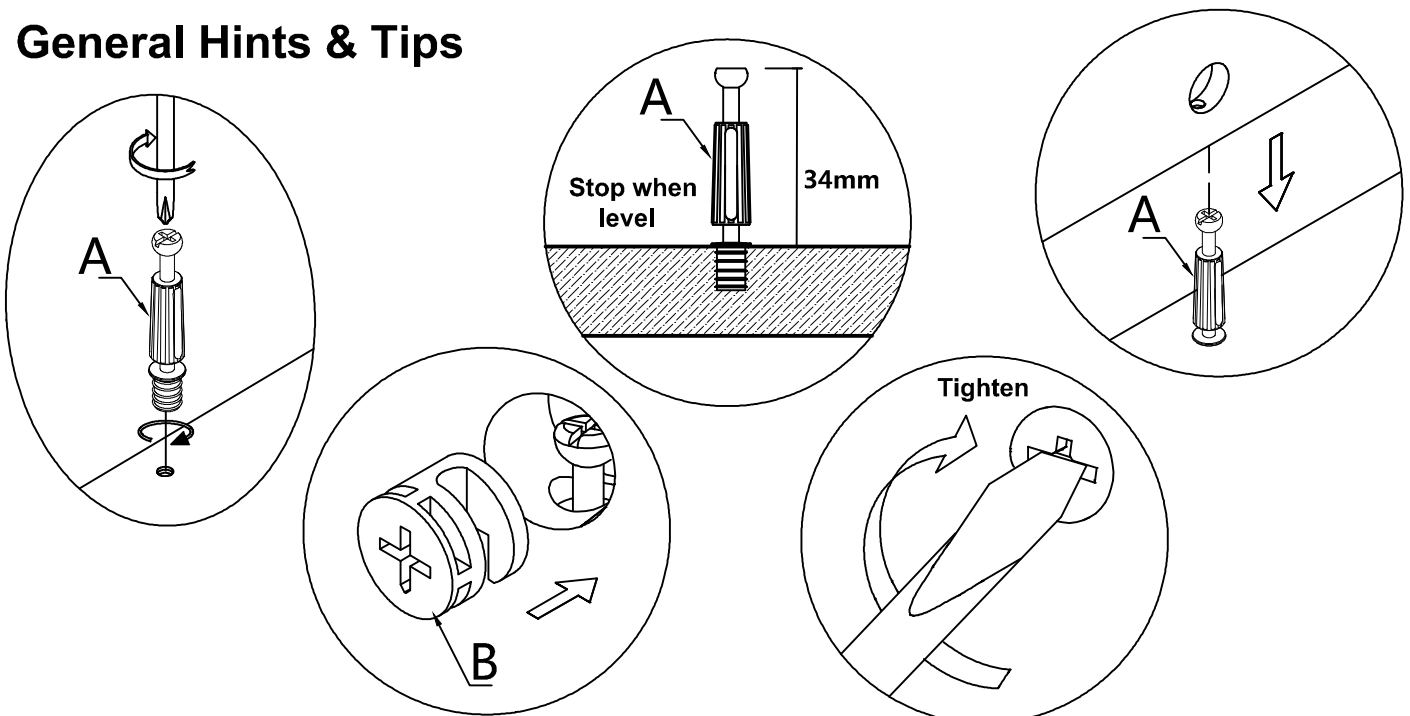
- Check you have all the components and tools listed on page 3.
- Remove all settings from the plastic bags and separate them into their groups.
- Keep children and animals away from the work area, small parts could choke if swallowed.
- Make sure you have enough space to layout the parts before assembly.
- Do not stand or put weight on the product, this could cause damage.
- Assemble the item as close to it's intended position (in the same room) as possible.
- Assemble on a soft level surface to avoid damaging the unit.
- Parts of the assembly will be easier with 2 people.
- Do not use power drill/drivers for assembly, or the unit may be damaged.
- Dispose of all packaging carefully and responsibly.



CARE and MAINTENANCE

- Only clean using a damp cloth and mild detergent, do not use bleach or abrasive cleaners.
- From time to time check that there are no loose screws on this unit.
- This product should not be discarded with household waste. Take to your local authority waste disposal center.

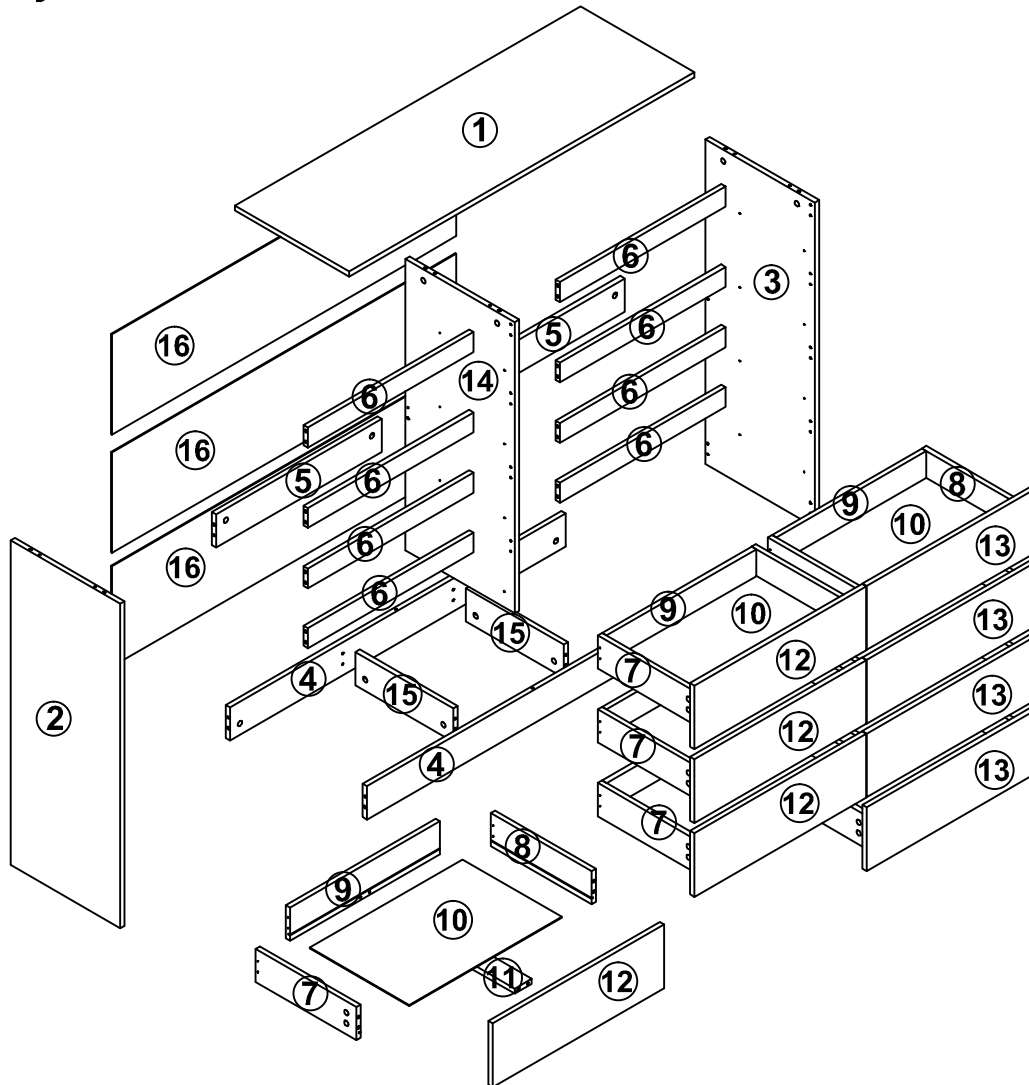
General Hints & Tips

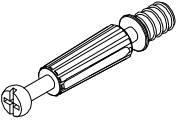
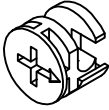
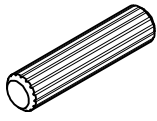
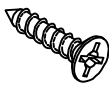

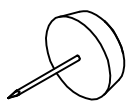
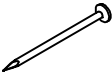

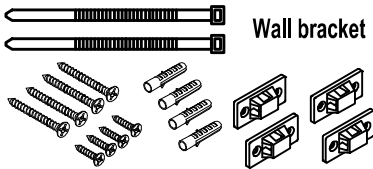


Components and Tools

IMPORTANT - Please Check If You Have All The Components and Tools.

Note: The quantities below are the correct amount to complete the assembly. In some cases more pieces may be supplied than are required.



A=82  Peg M6*34mm	B=82  Lock M15*12mm	C=52  Dowel M8*30mm	D=64  Screw M3.5*14mm	E=32  Screw M4*38	F=8  Plastic Feet
G=20  Pin	CR CL DR DL=8  Drawer Runner	P=1  Wall bracket			

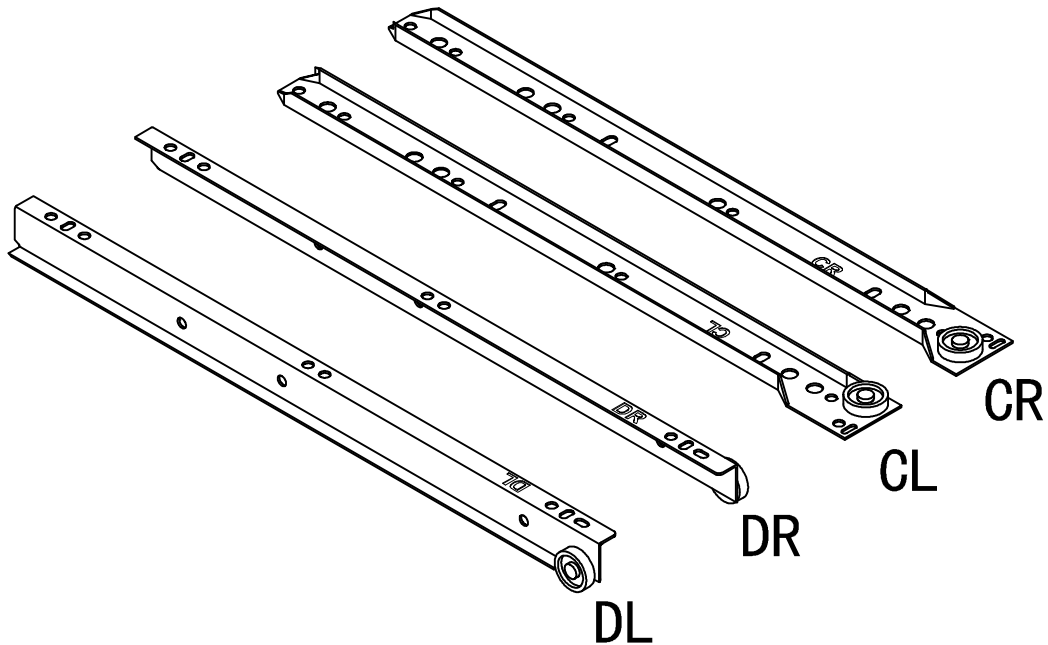
1OF2 ①, ④ X2, ⑤ X2, ⑥ X8, ⑩ X8, ⑫ X4, ⑬ X4, ⑭, ⑮ X2, ⑯ X3,

2OF2 ②, ③, ⑦ X8, ⑧ X8, ⑨ X8, ⑪ X8, FITTING KIT

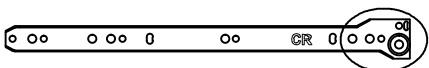
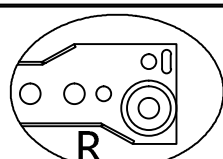
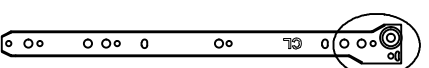
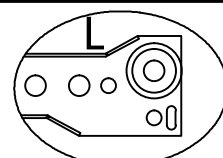
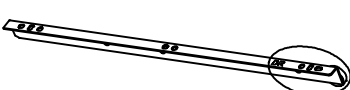
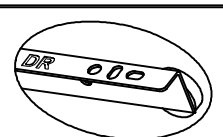
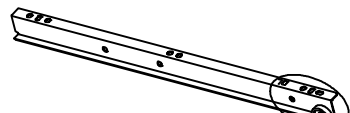
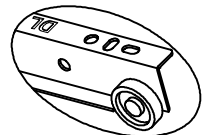
Drawer Runner Instruction

IMPORTANT - Please Read It Carefully.

NOTE:1 PAIR DRAWER RUNNER INCLUDES 4 PIECES.



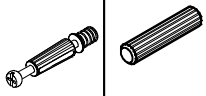
Fittings (not to scale)

NO.	DESCRIPTION	QTY		
CR	Outer Drawer Runner - Right	8PCS		
CL	Outer Drawer Runner - Left	8PCS		
DR	Inner Drawer Runner - Right	8PCS		
DL	Inner Drawer Runner - Left	8PCS		

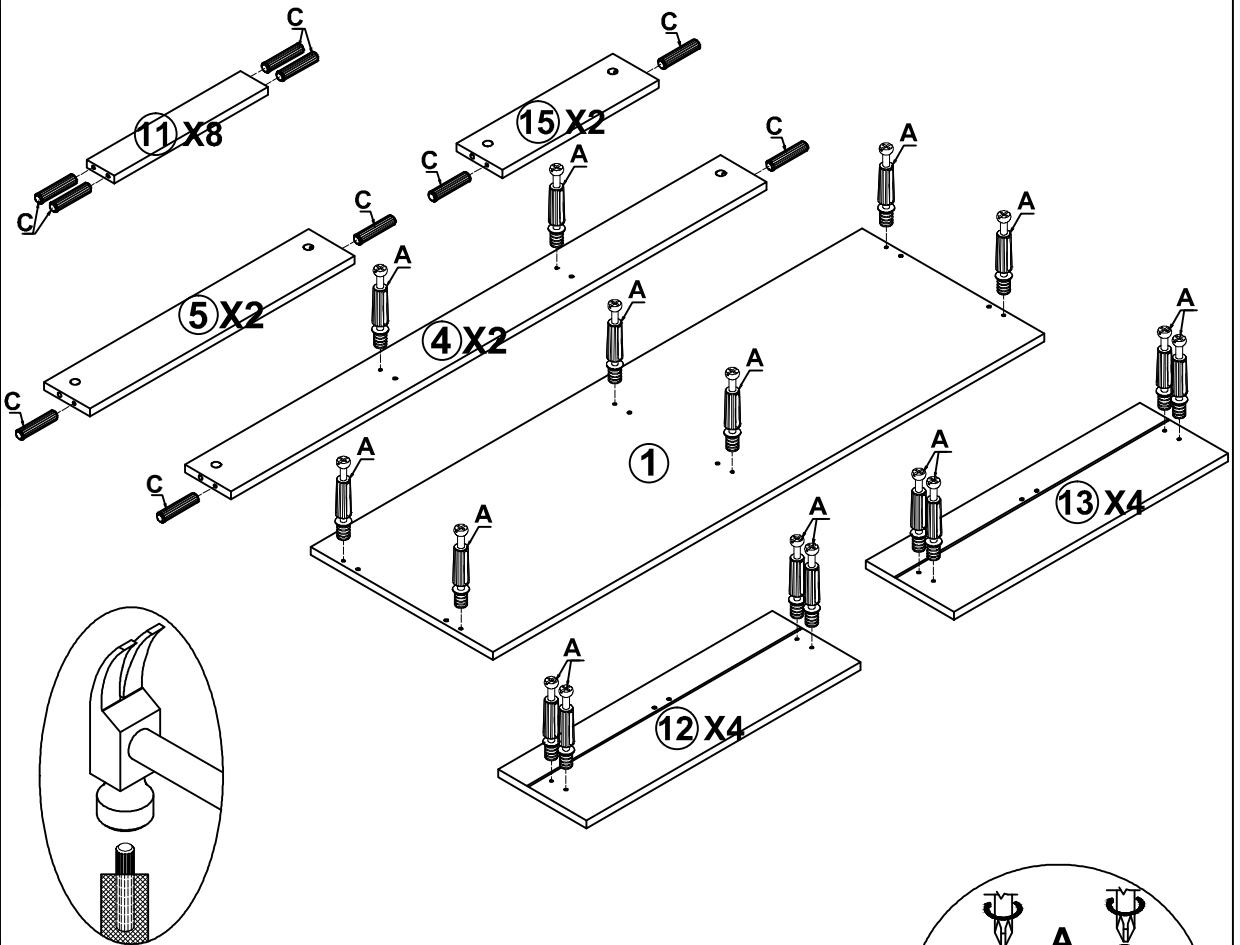
Assembly Instruction

Step 1

A=42 C=44

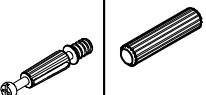


Peg Dowel



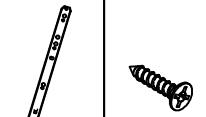
Step 2

A=11 C=2

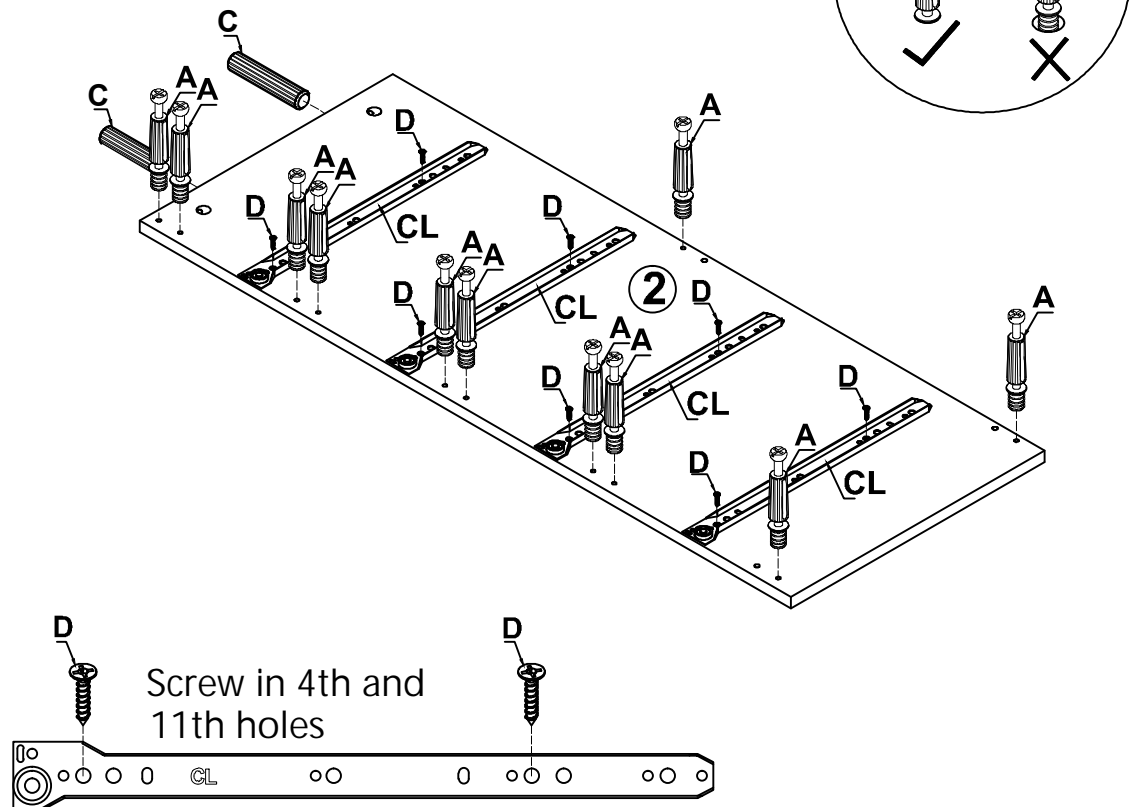


Peg Dowel

CL=4 D=8



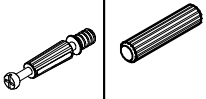
Drawer Runner Screw M3.5*14mm



Assembly Instruction

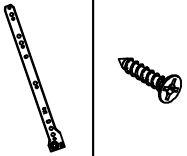
Step 3

A=11 C=2

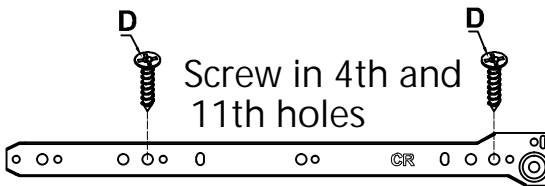
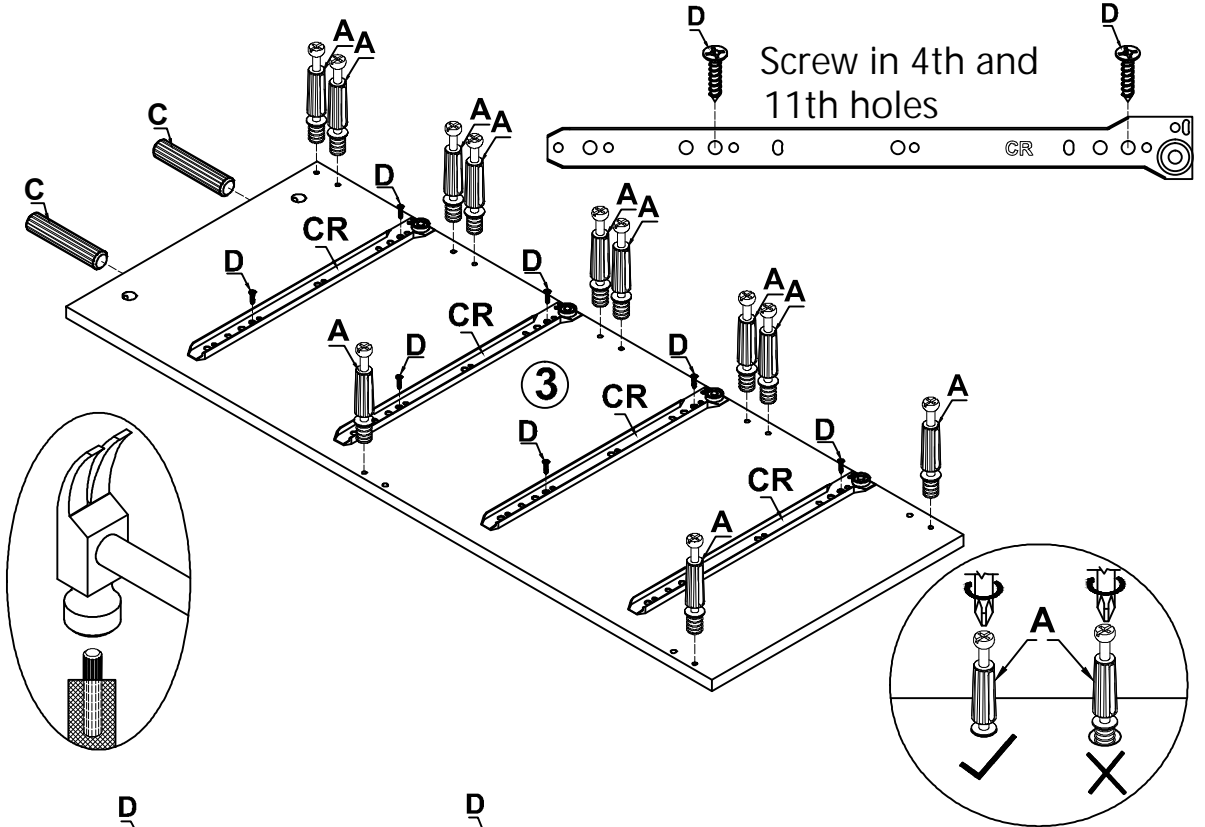


Peg Dowel

CR=4 D=8

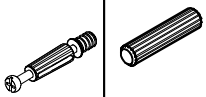


Drawer Runner Screw M3.5*14mm



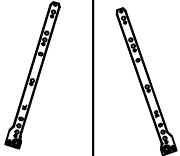
Step 4

A=18 C=4



Peg Dowel

CL=4 CR=4

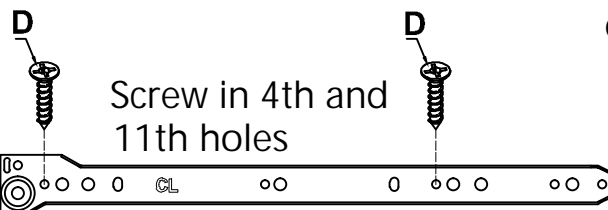
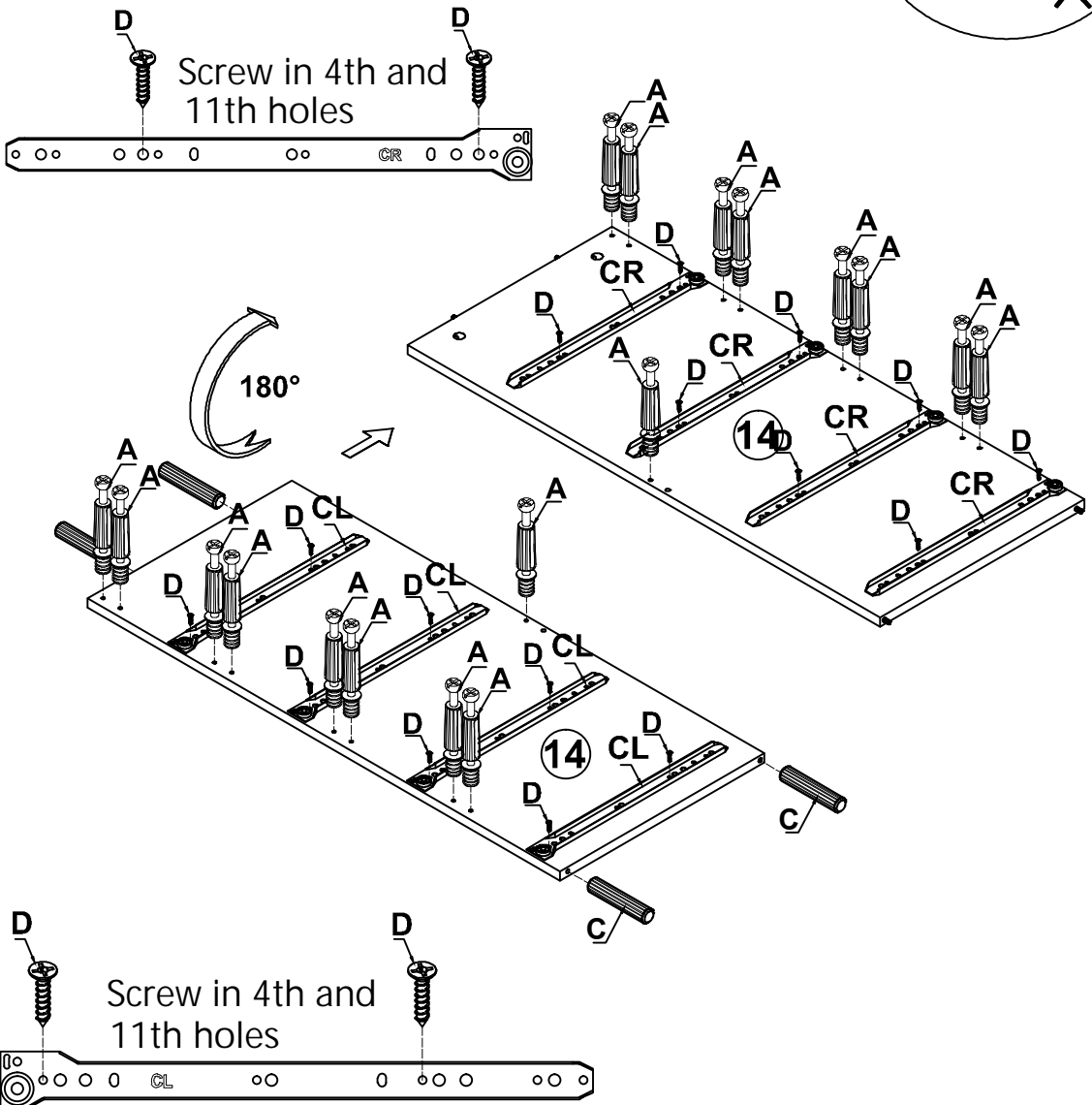


Drawer Runner Drawer Runner

D=16



Screw M3.5*14mm



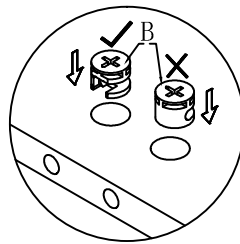
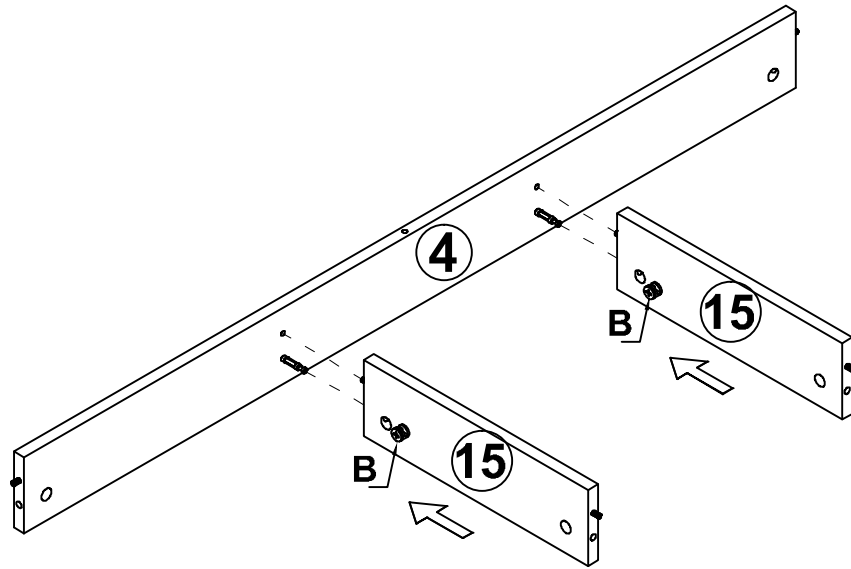
Assembly Instruction

Step 5

B=2



Lock

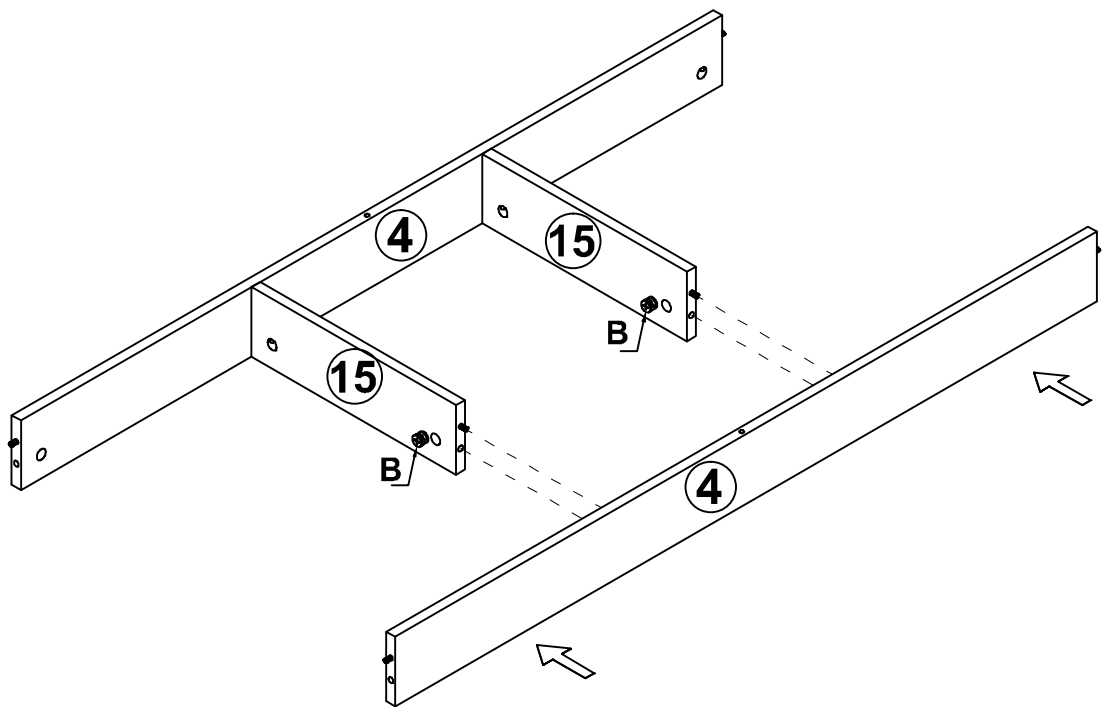


Step 6

B=2



Lock



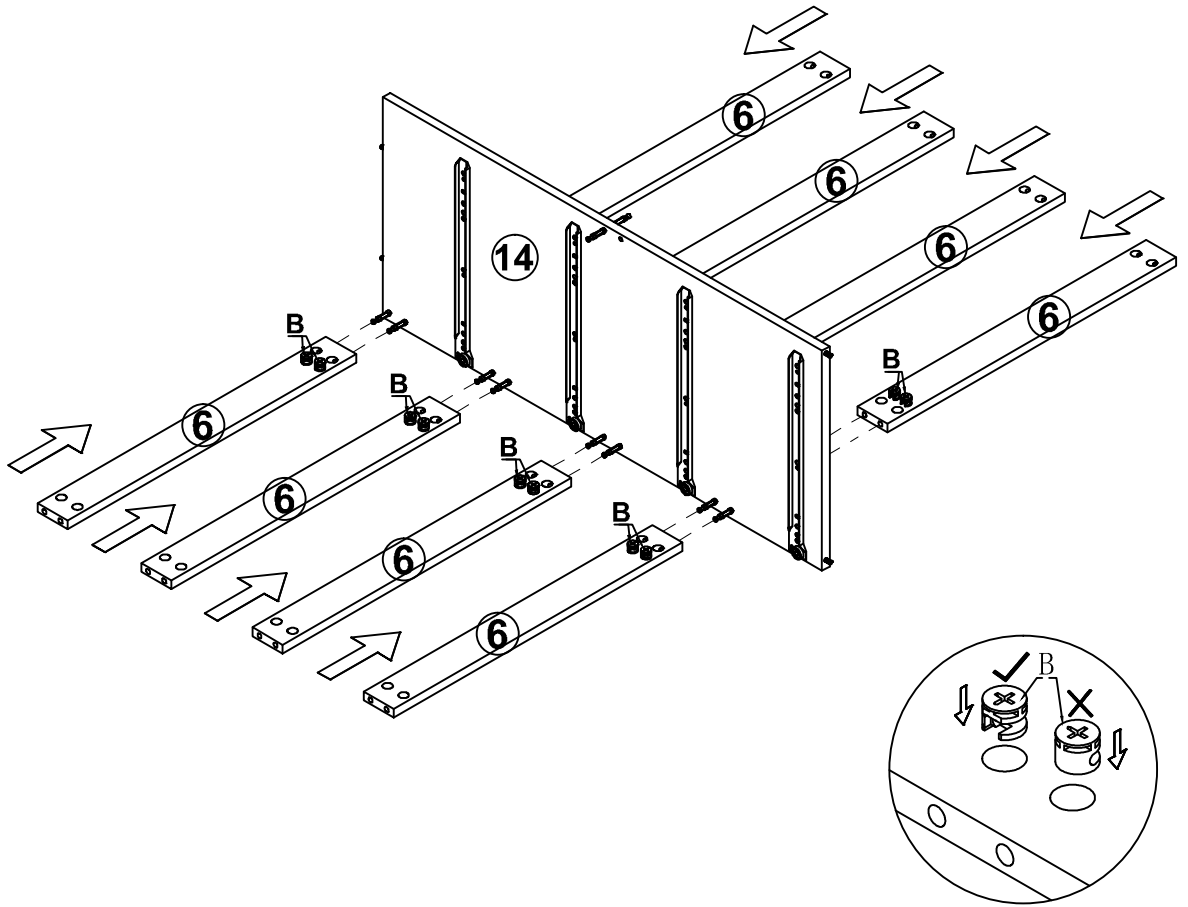
Assembly Instruction

Step 7

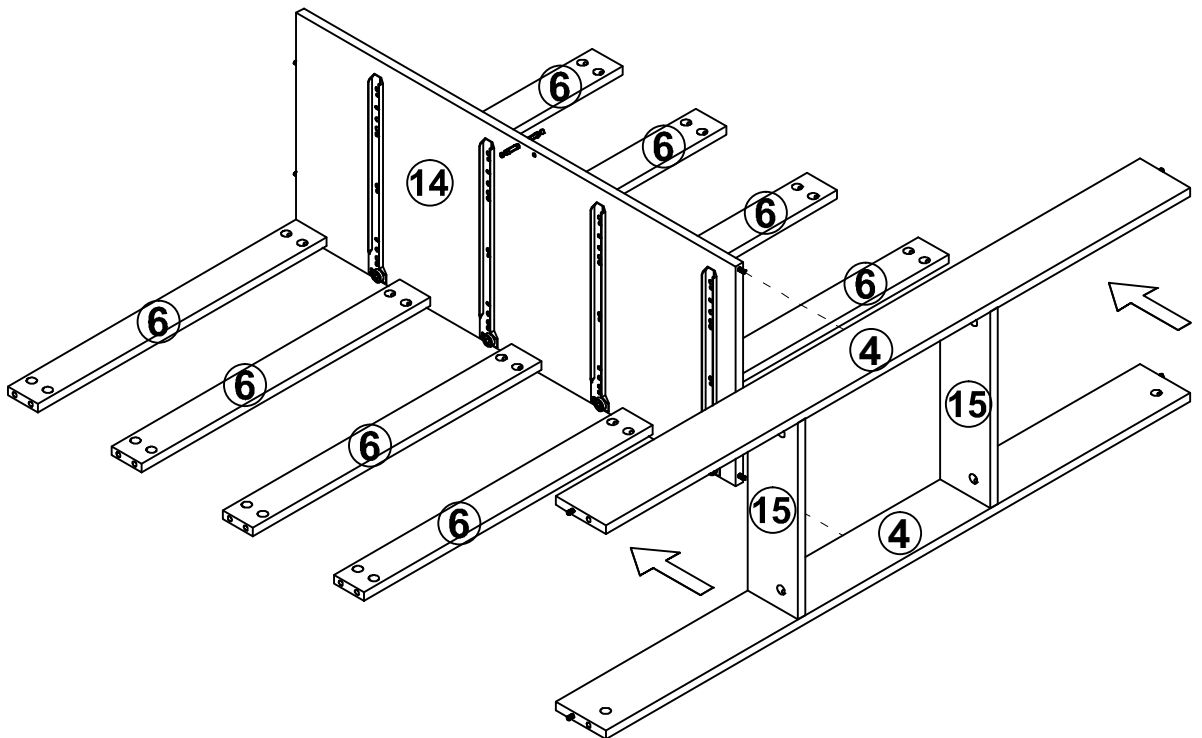
B=16



Lock



Step 8



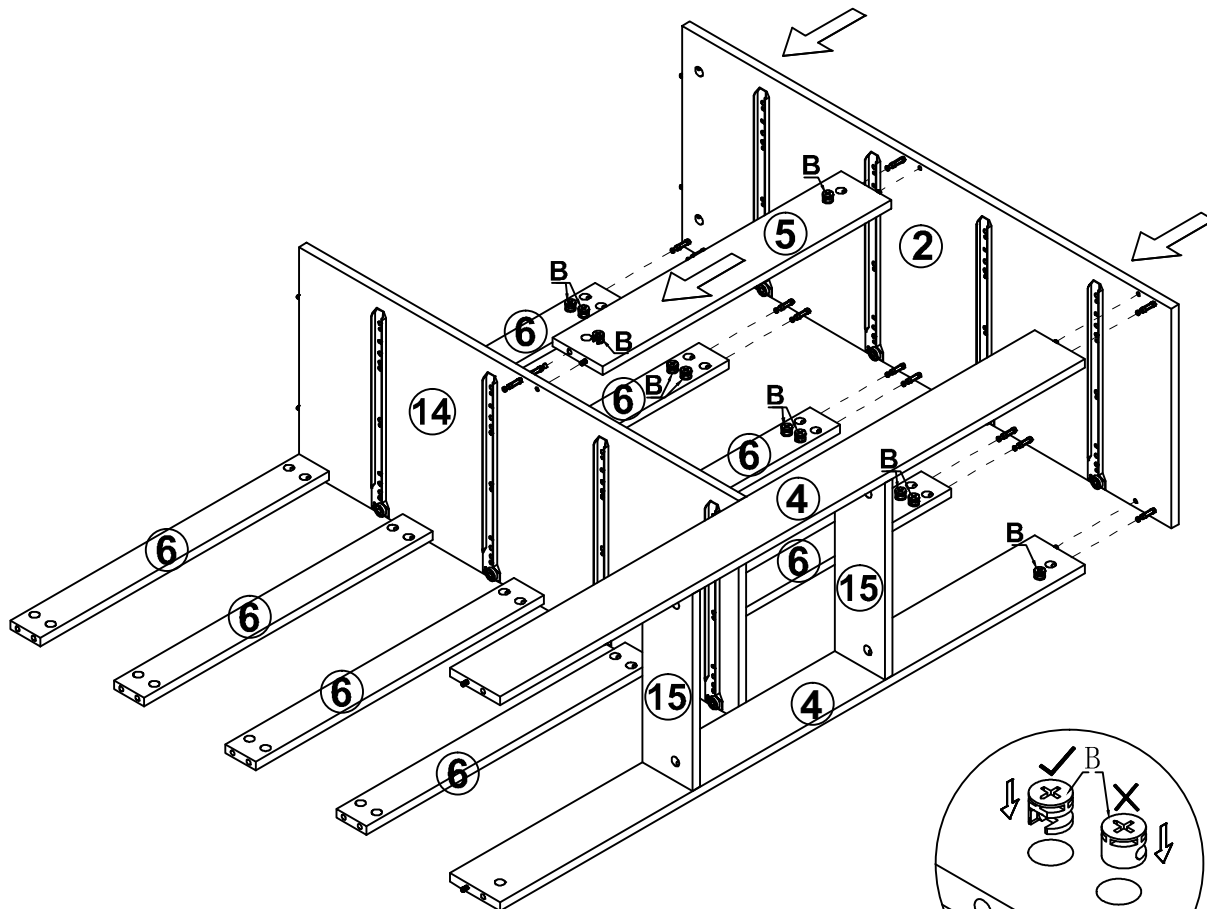
Assembly Instruction

Step 9

B=12



Lock

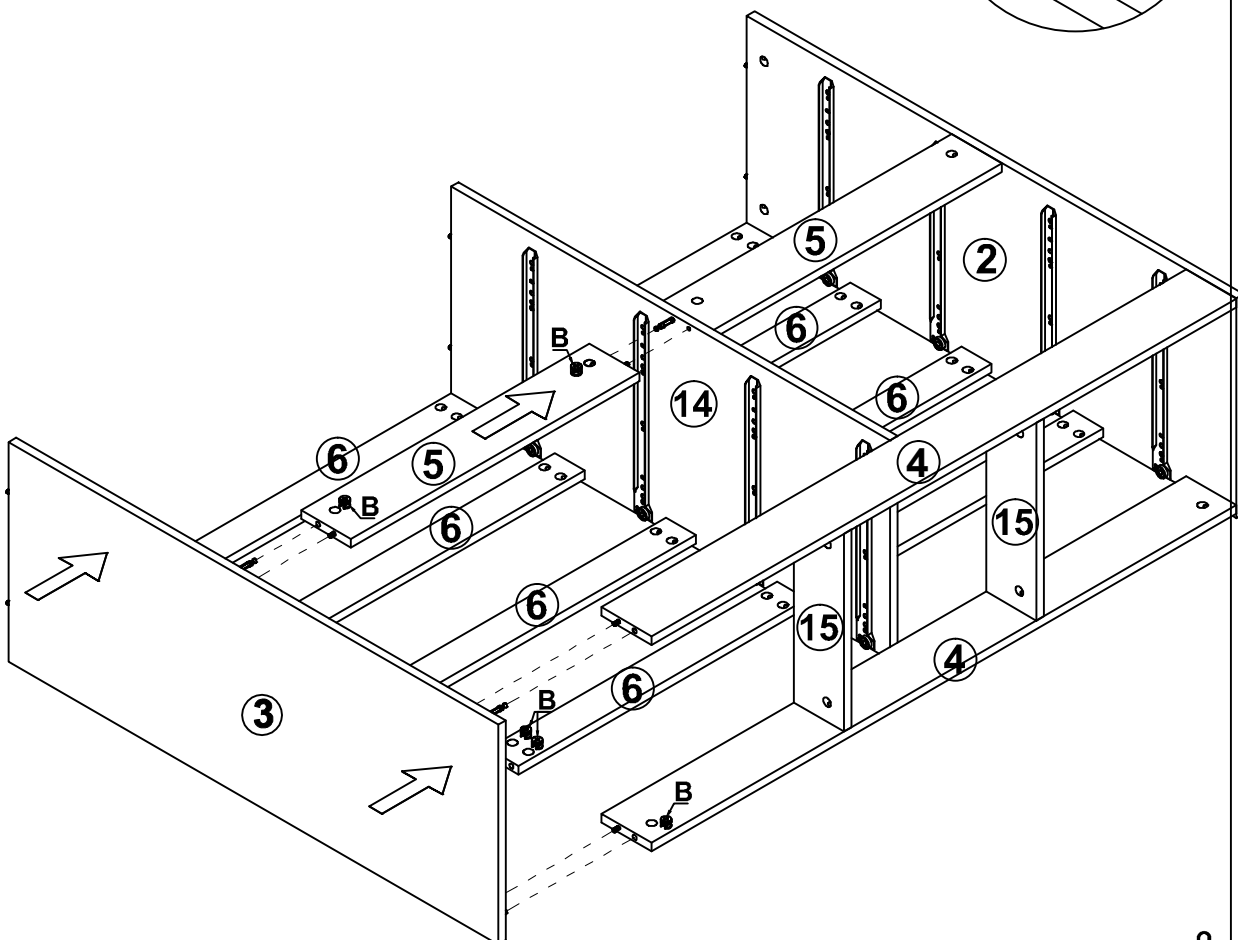


Step 10

B=12



Lock



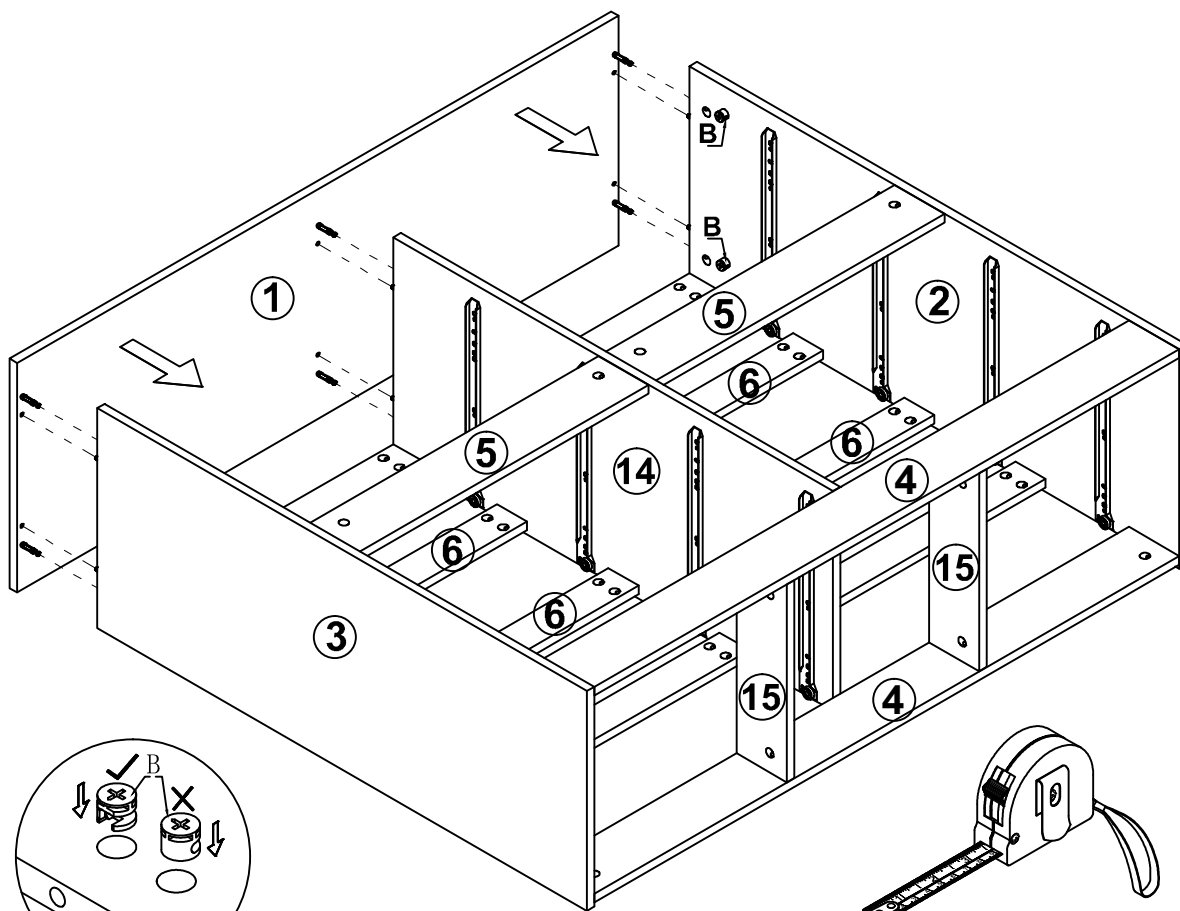
Assembly Instruction

Step 11

B=6

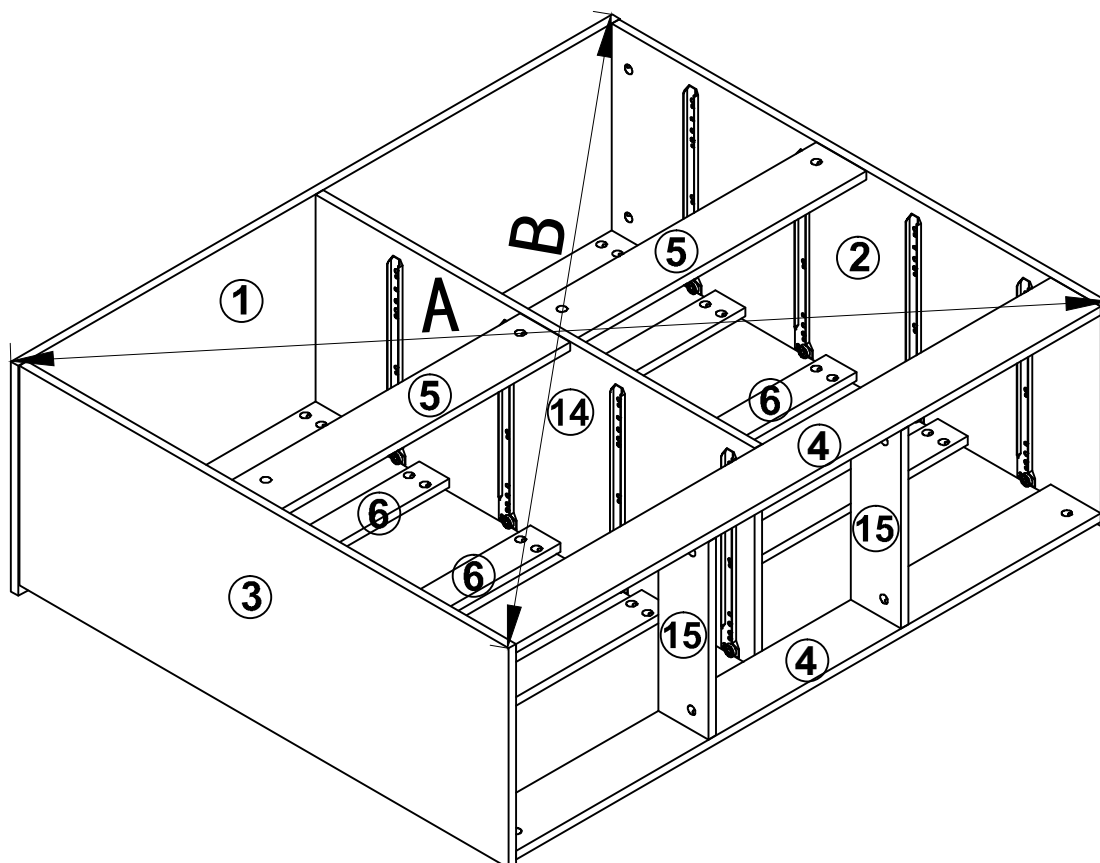


Lock



A=B

Step 12



Assembly Instruction

Step 13

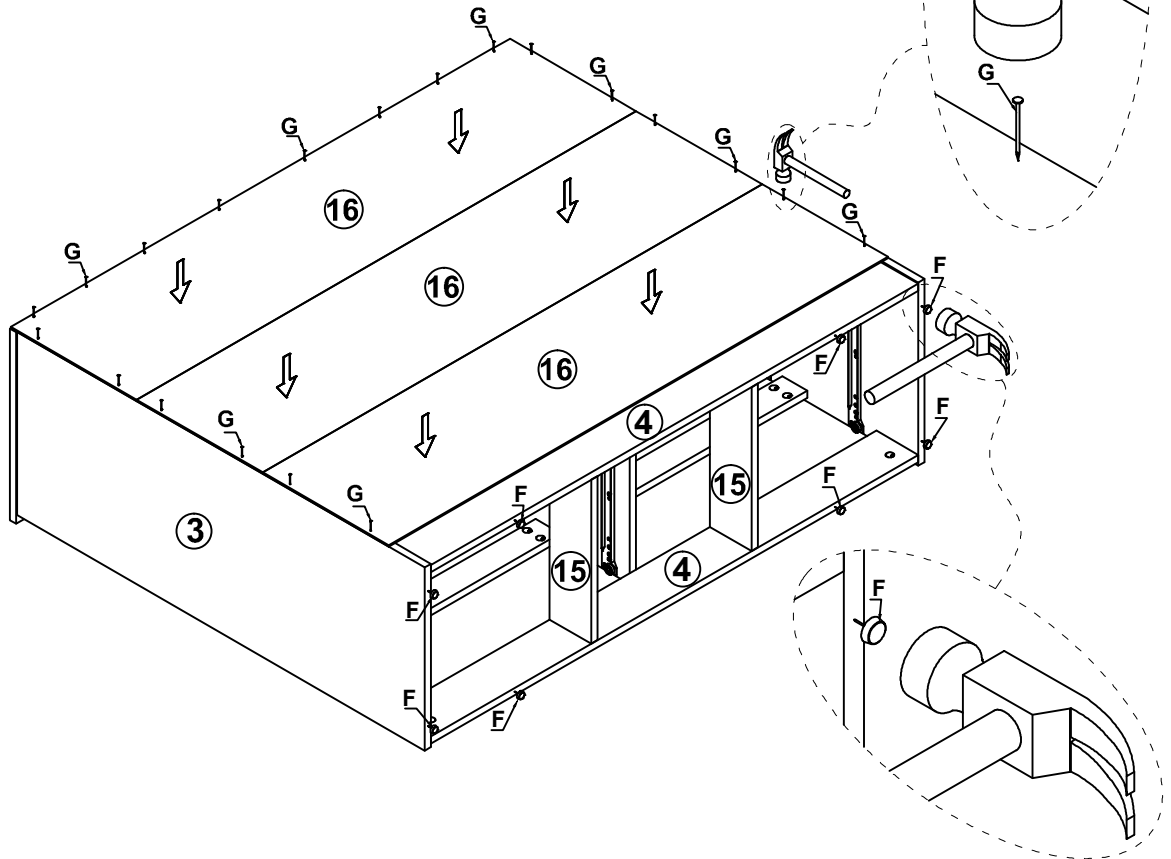
F=8

G=20



Plastic
Feet

Pin



Assembly Instruction

Step 14

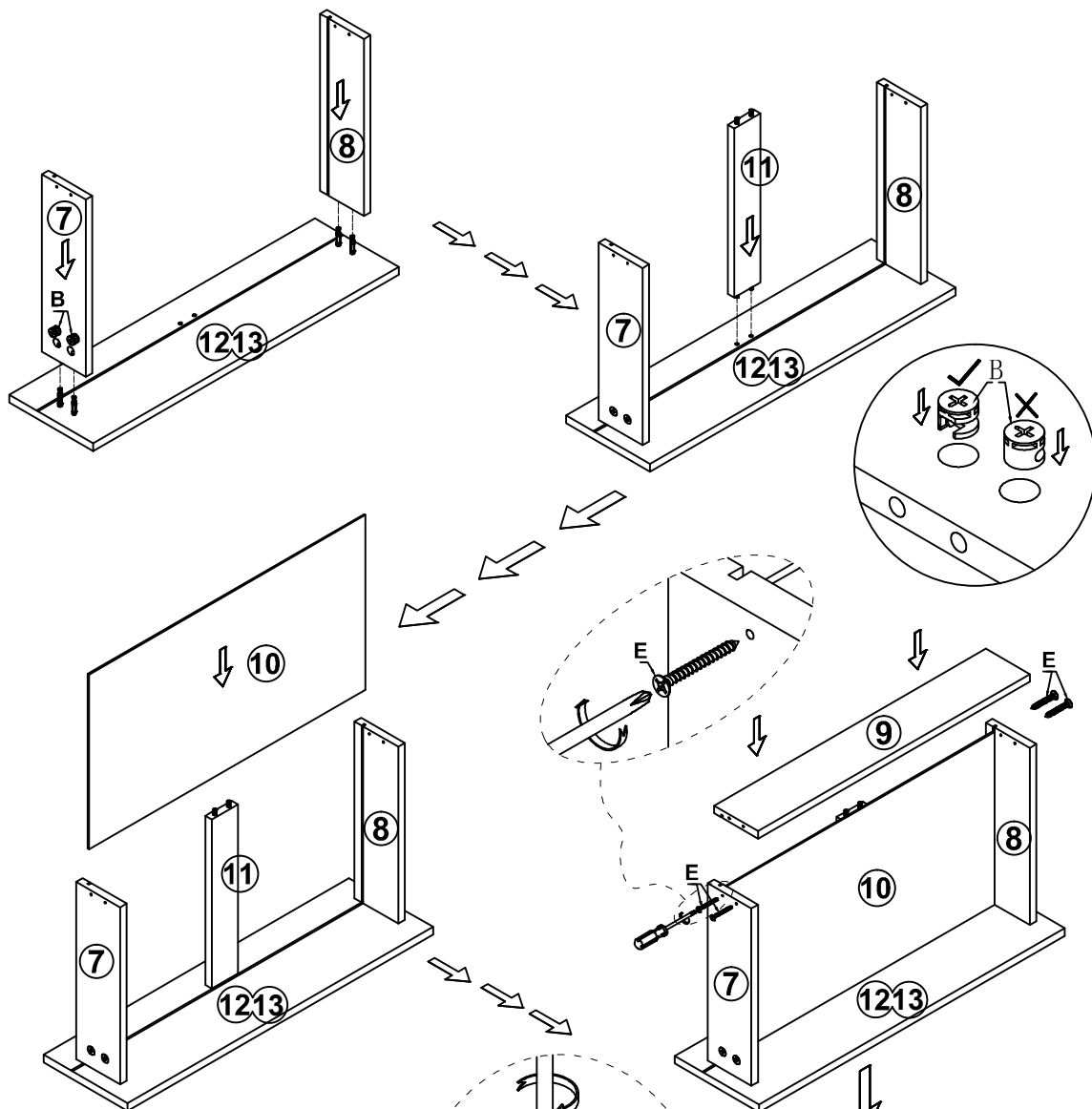
B=32

E=32



Lock

Screw
M4*38



Step 15

DR=8

DL=8



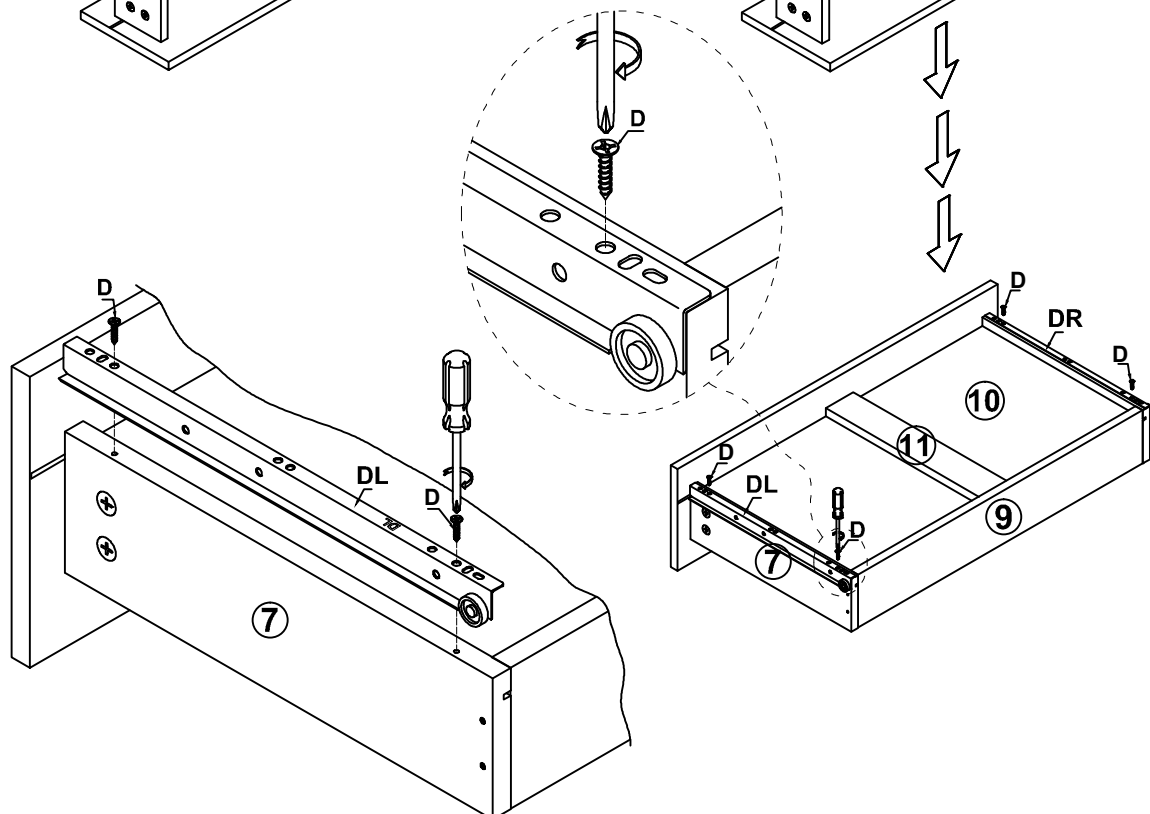
Drawer
Runner

Drawer
Runner

D=32

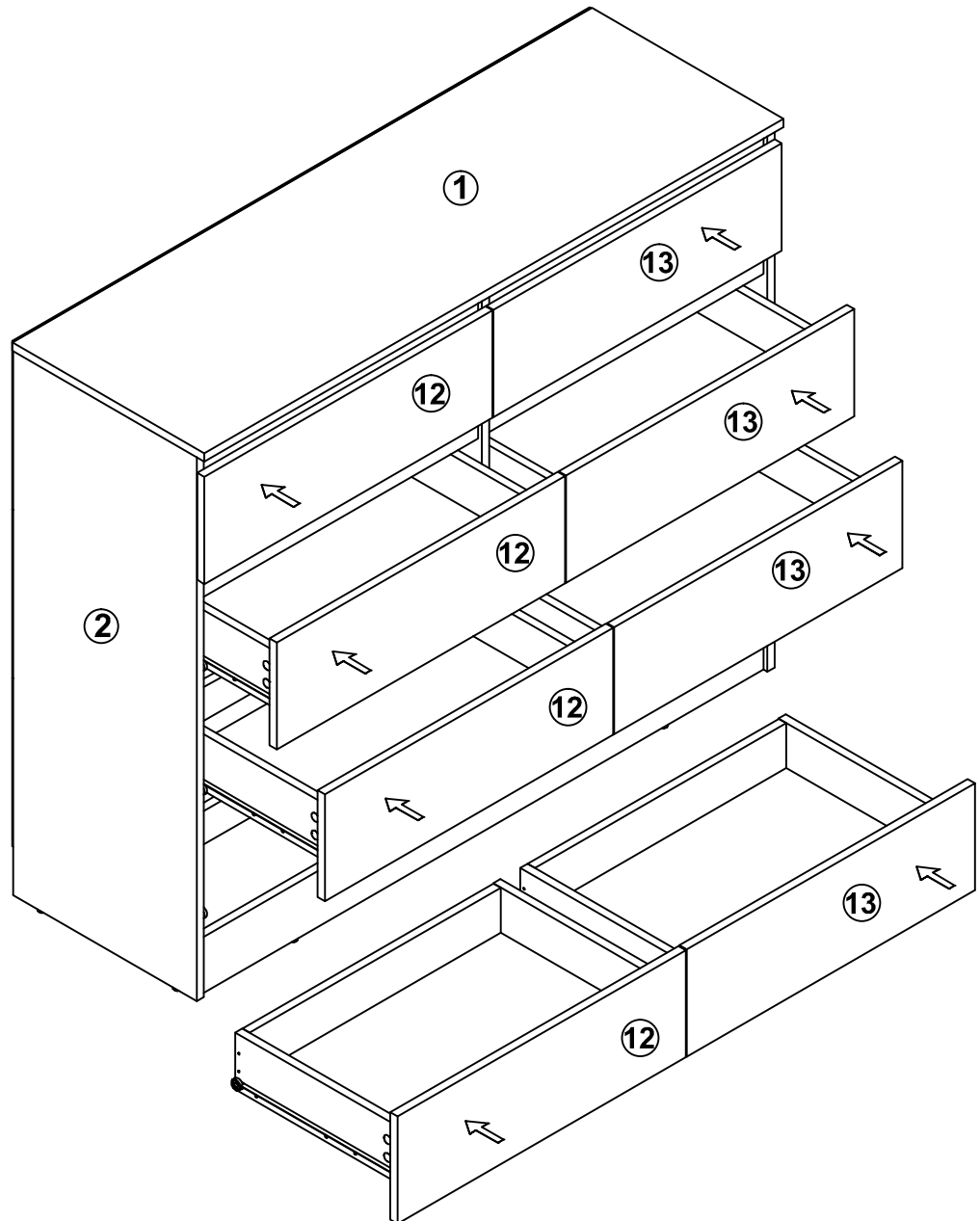


Screw
M3.5*14mm



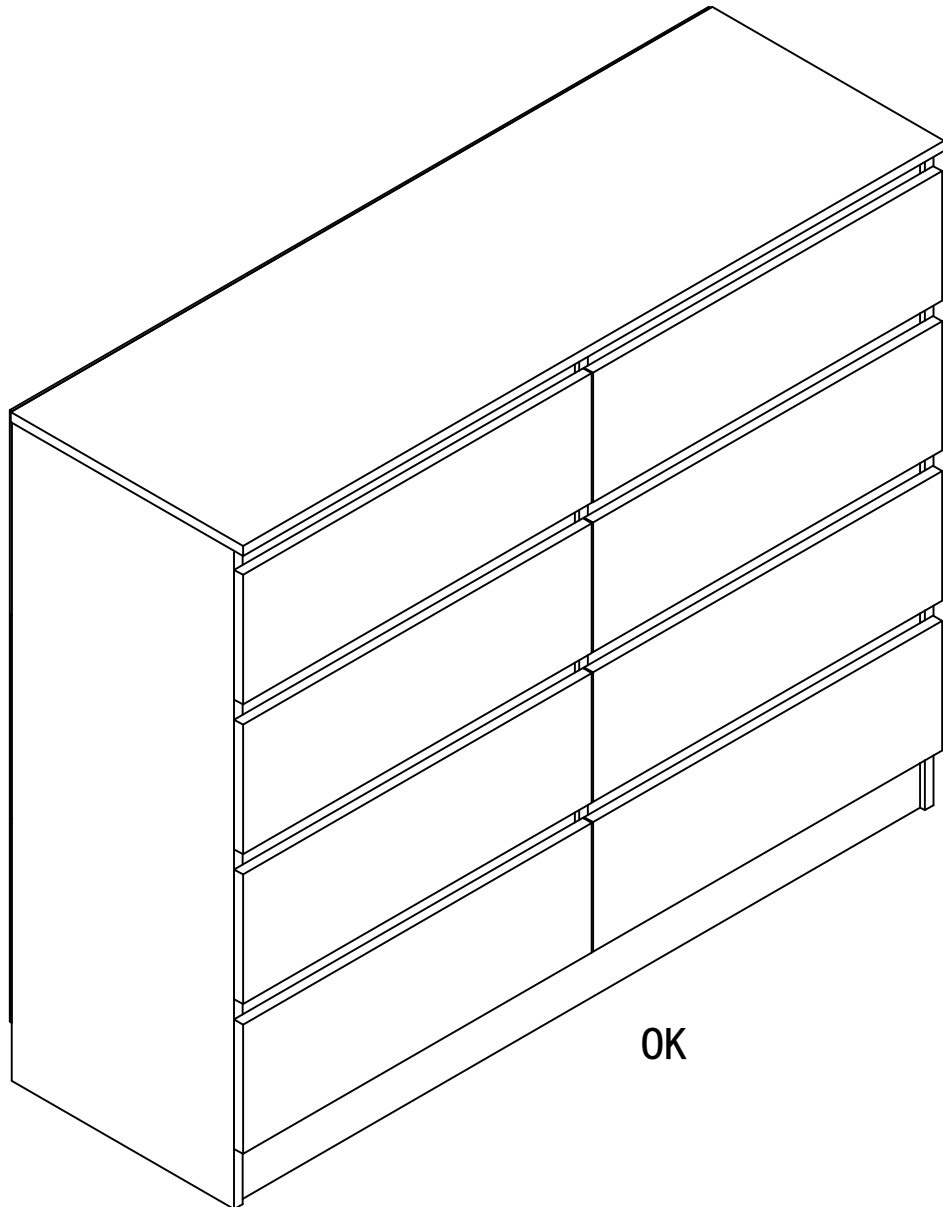
Assembly Instruction

Step 16



Assembly Instruction

Step 17



OK

P=1

