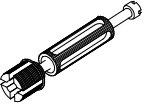

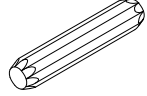
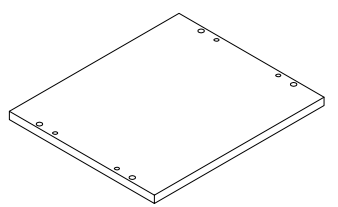


A  40PCS	B  40PCS	C 8*40  40PCS
---	--	--

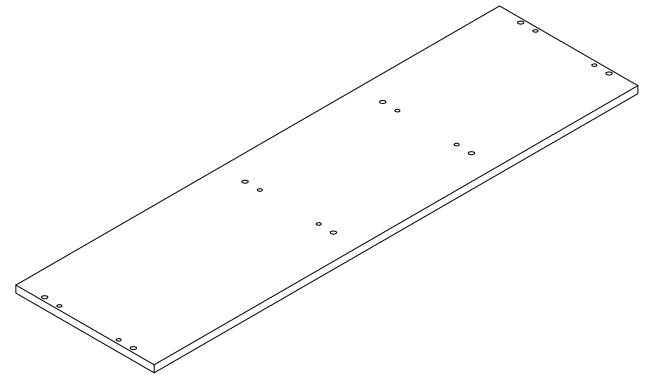
1



351*300

2PCS

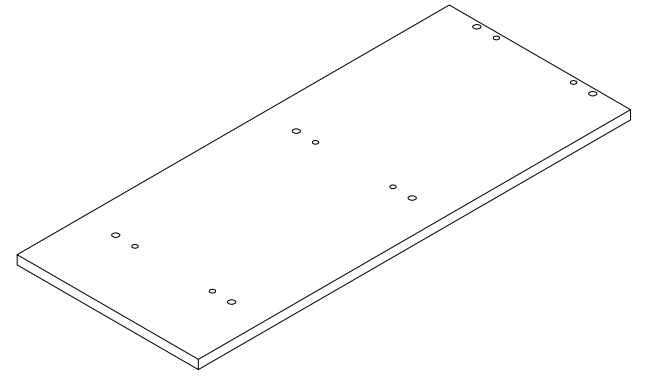
2



1050*300

2PCS

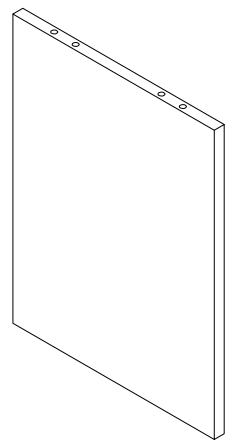
3



716*300

2PCS

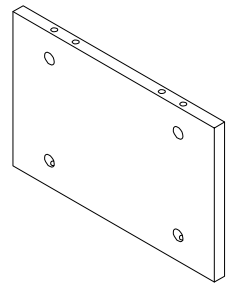
4



399*300

2PCS

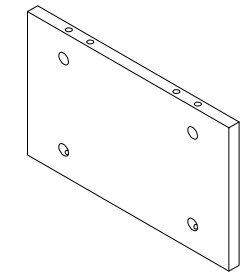
5



199*300

2PCS

6



185*300

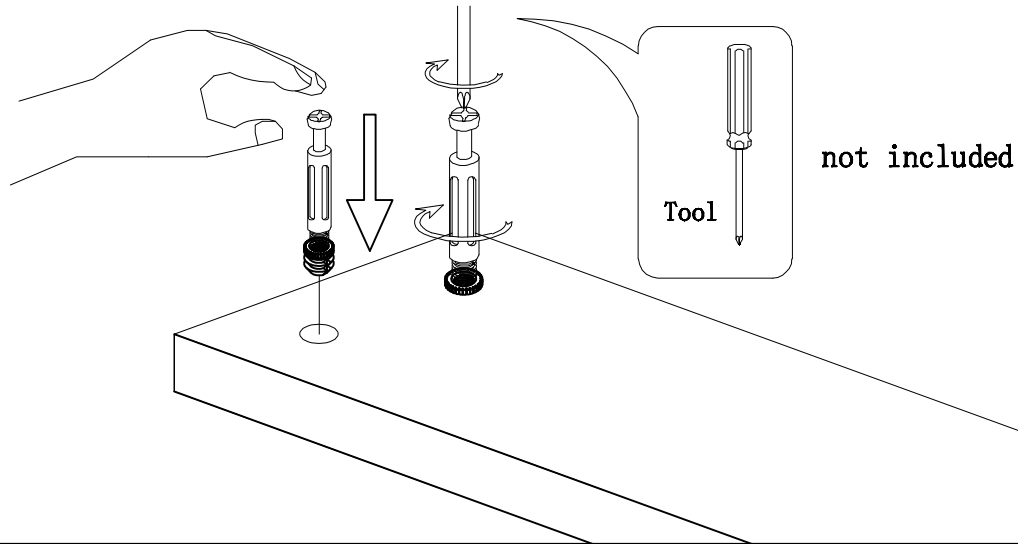
6PCS



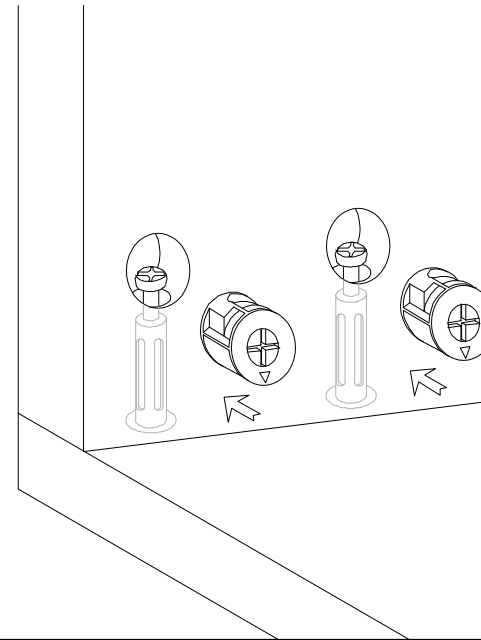
Hardware installation demonstration

NOTE: Please make sure "A" hardware tightened and can't be pulled out!

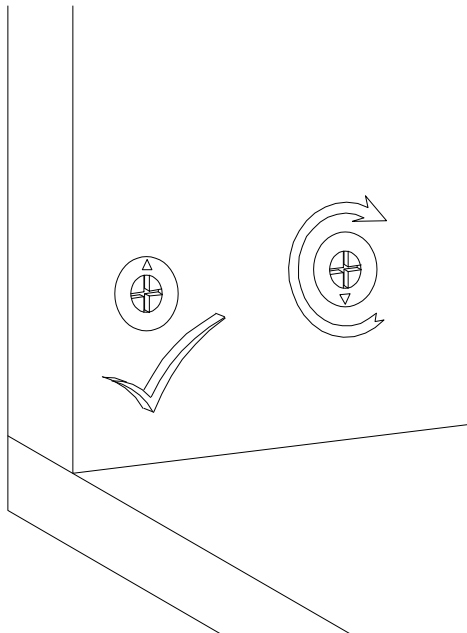
I



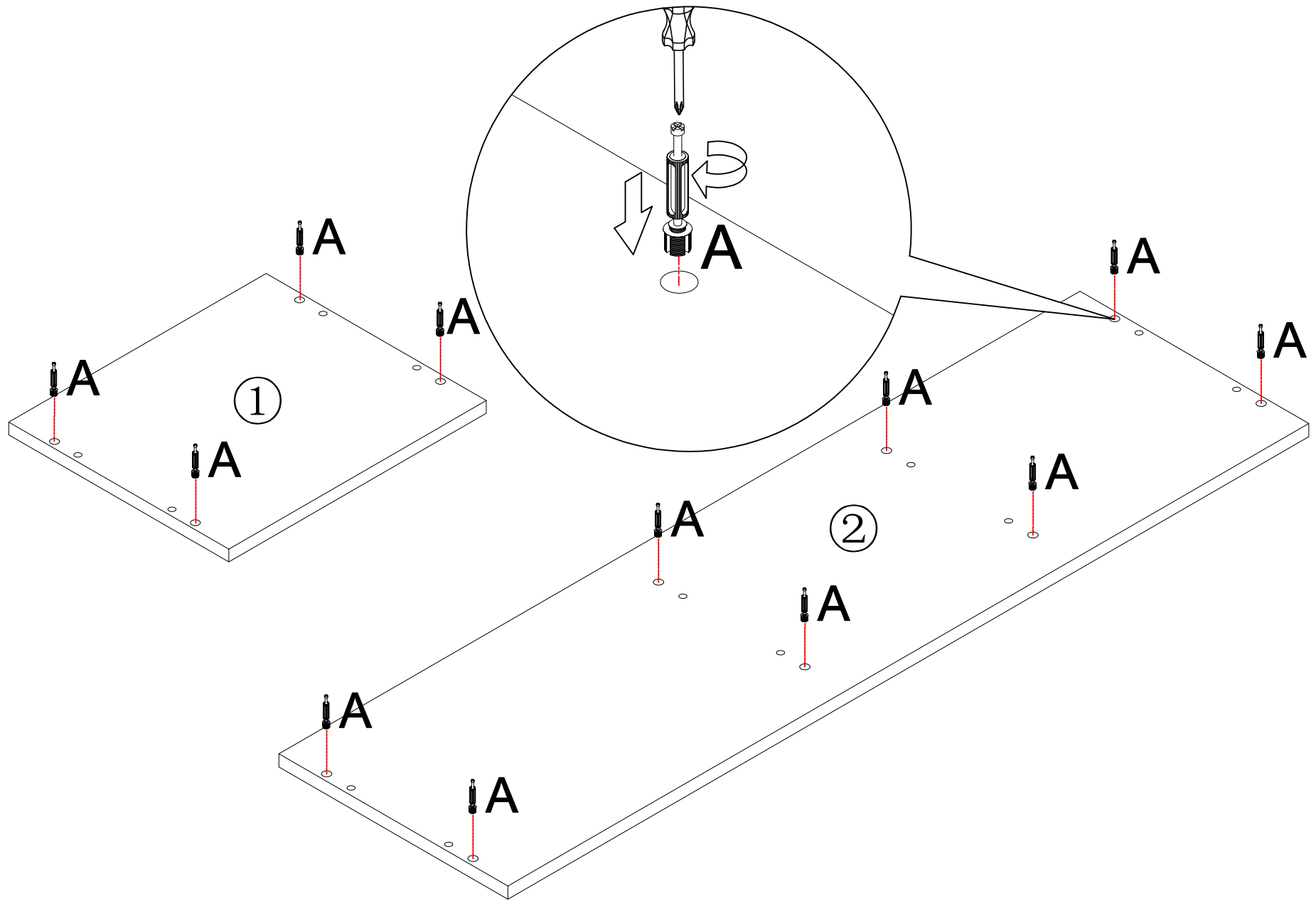
II



III



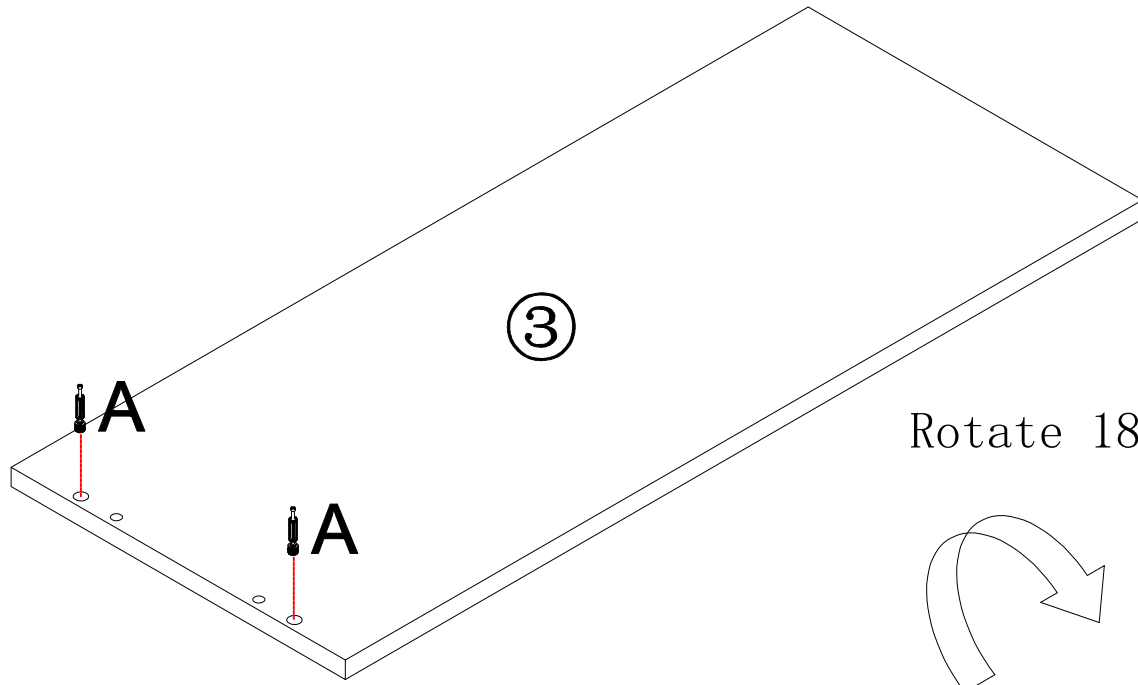
1



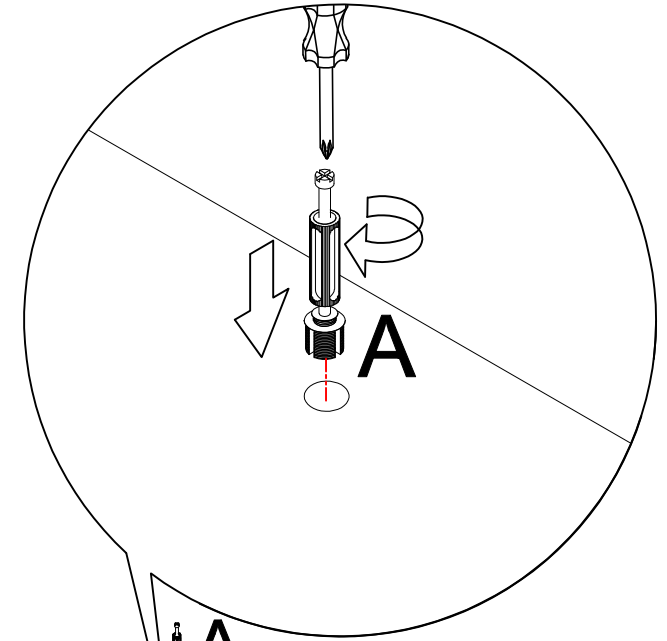
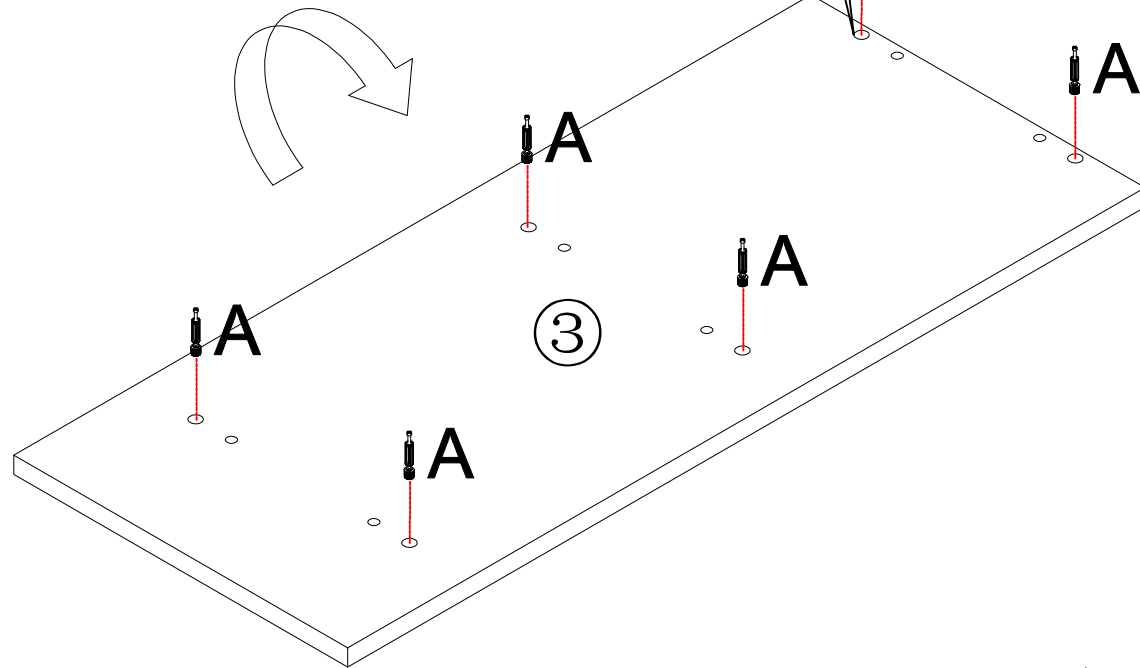
A*12

Put A on board ①②

2

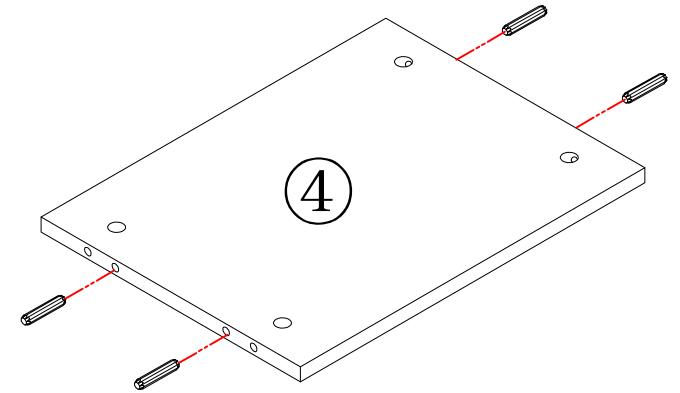
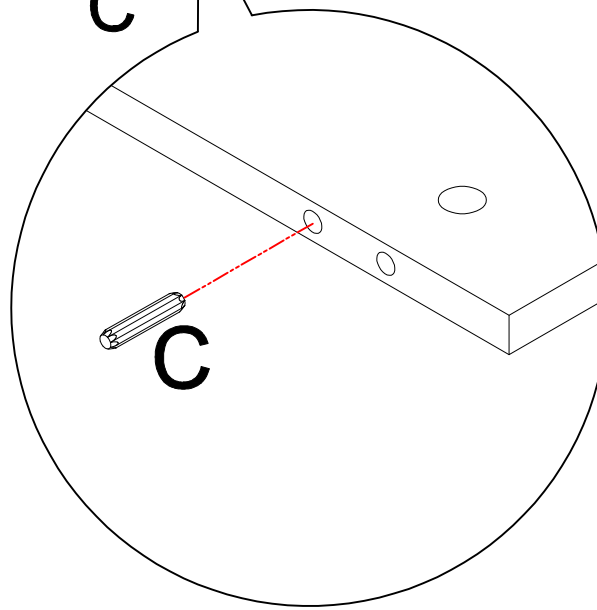
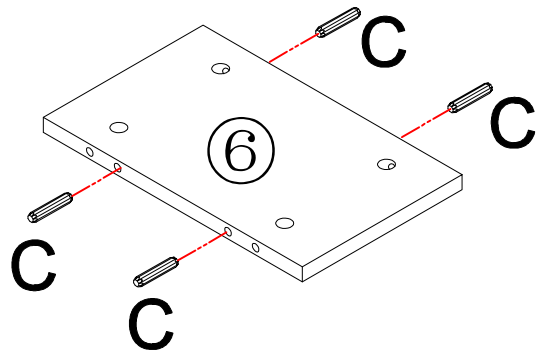
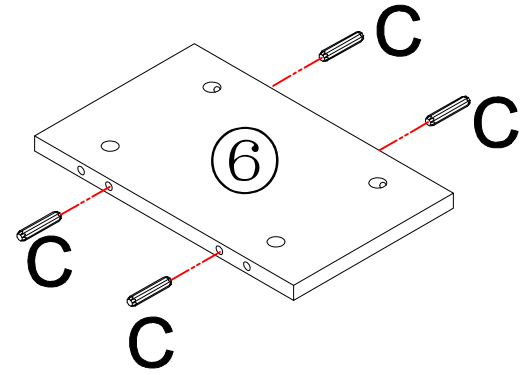
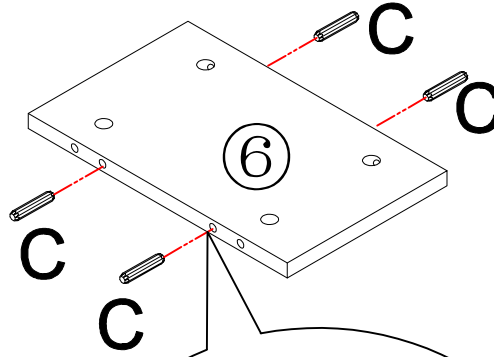
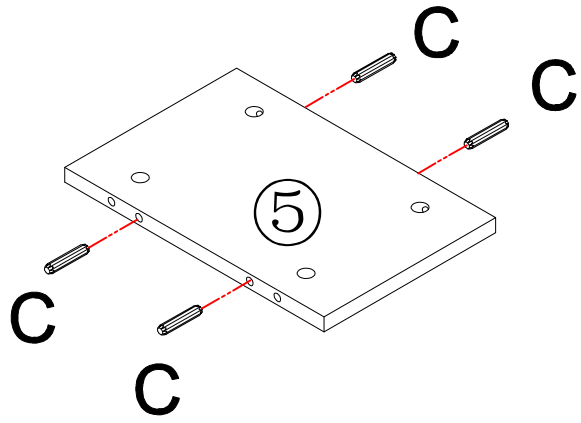


Rotate 180°



A*8

Put A on board ③

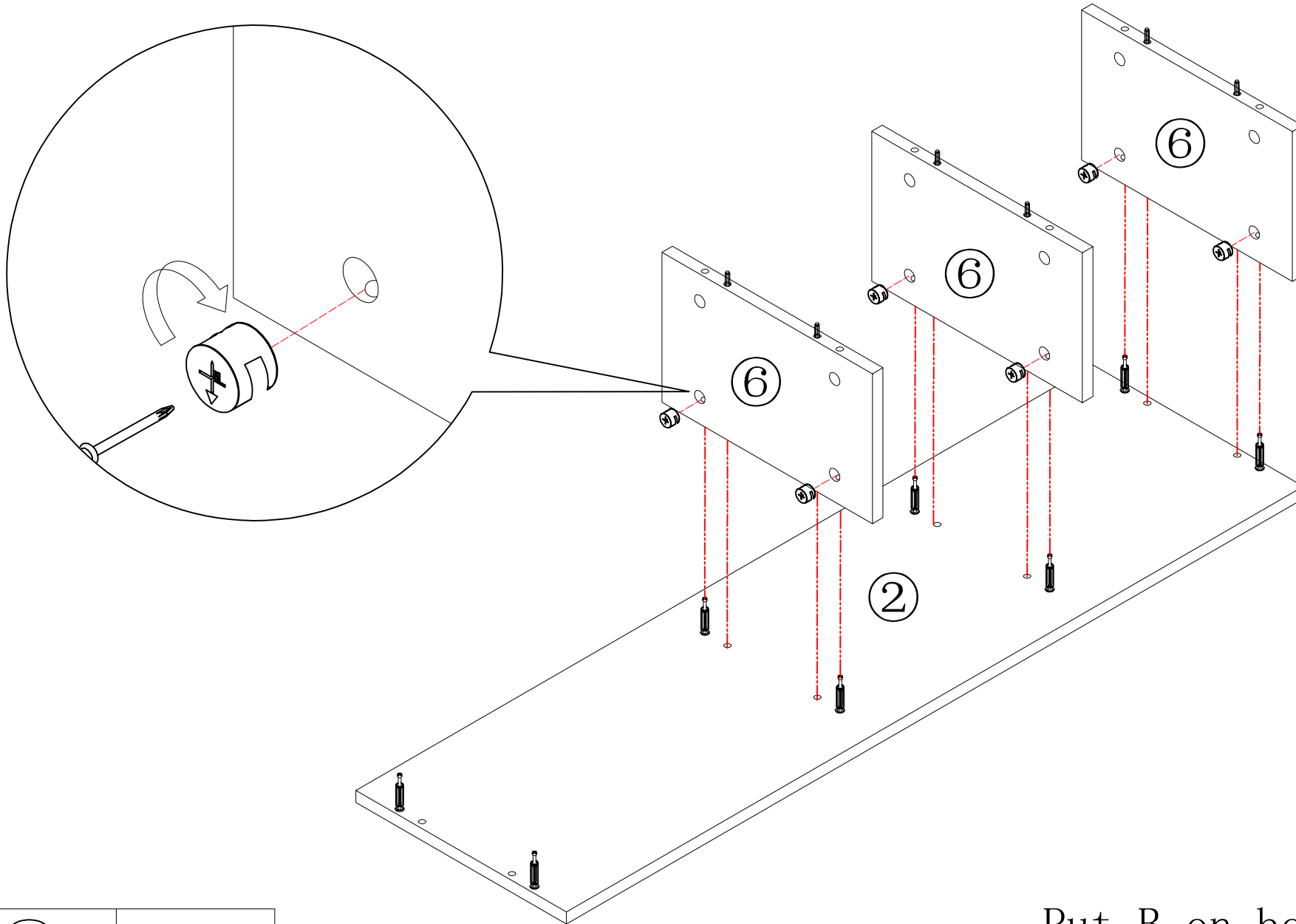


C*20

Put C on board ④⑤⑥

4

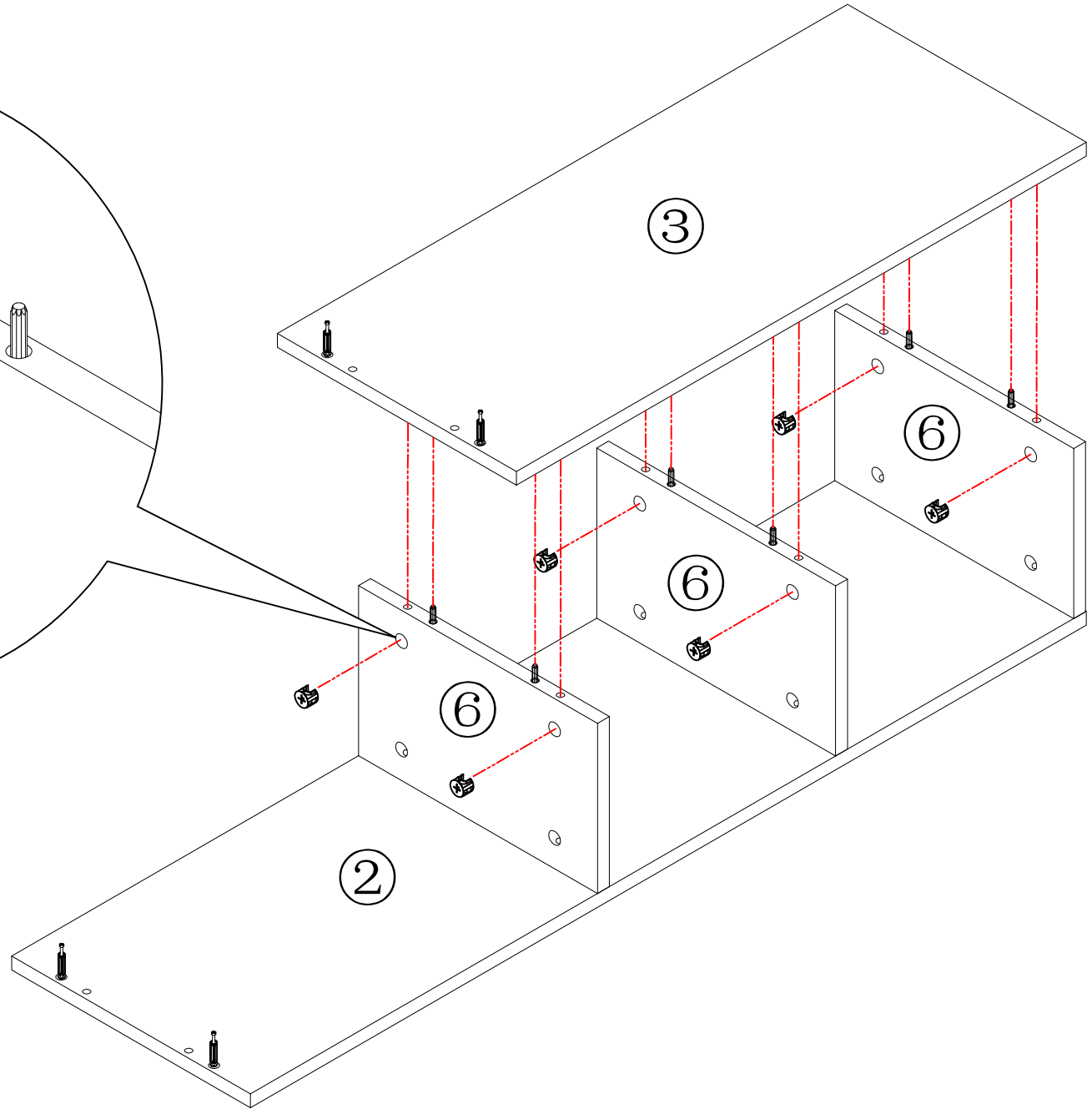
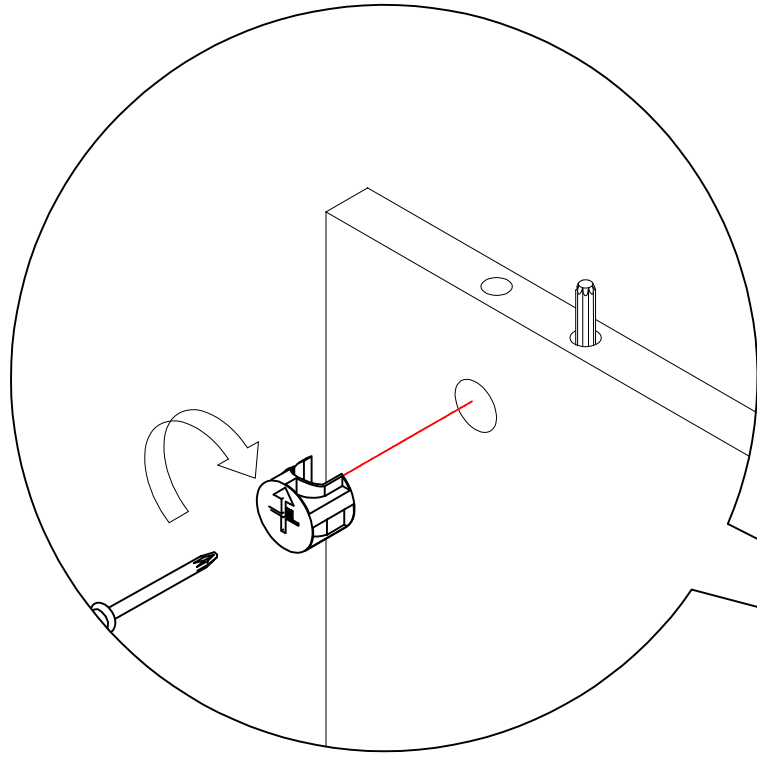
Make sure the arrow on the screw align to the hole on the side



B*6

Put B on board ⑥

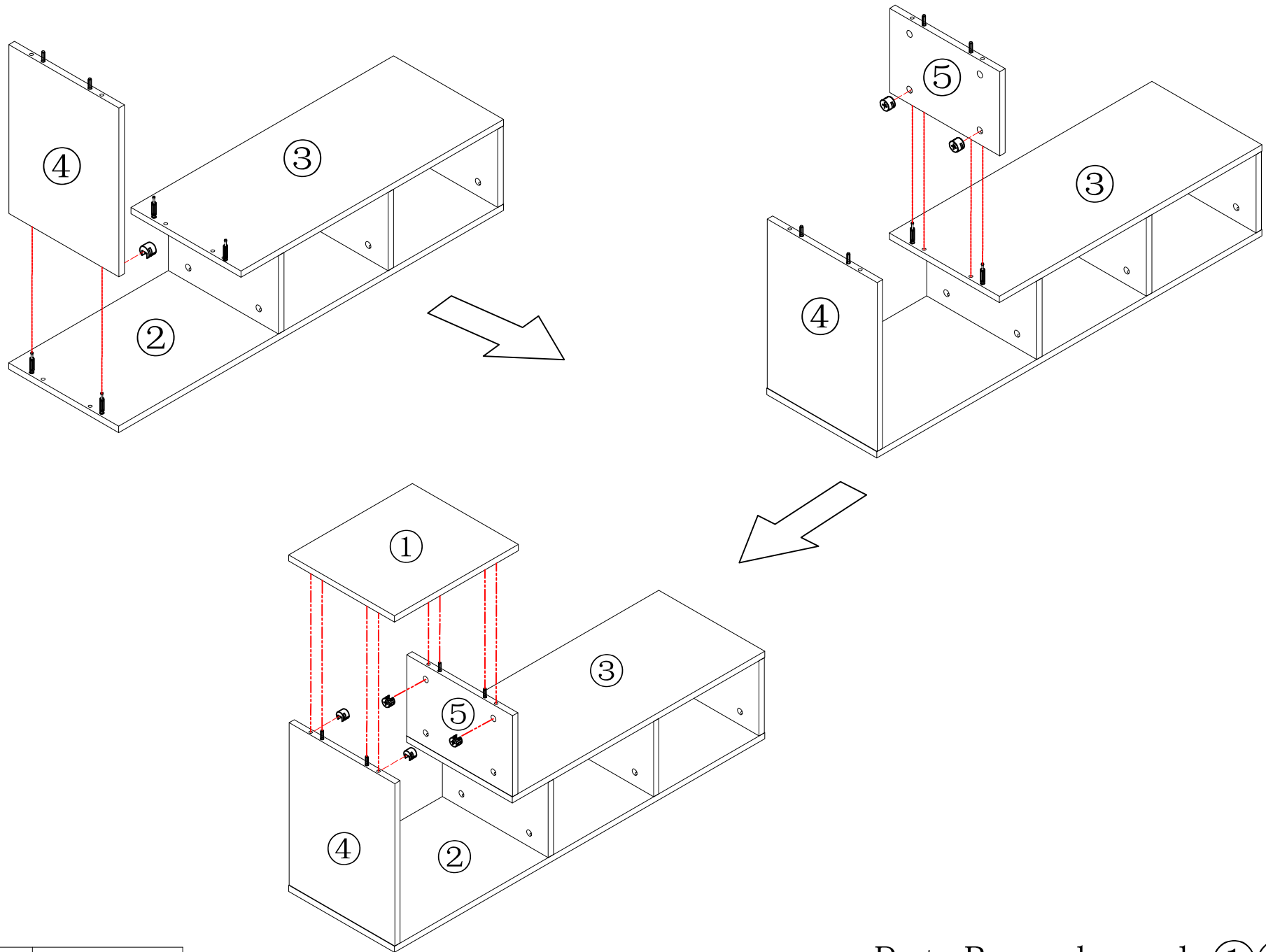
5



B*6

Put B on board ⑥

6



B*8

Put B on board ①④⑤

7

