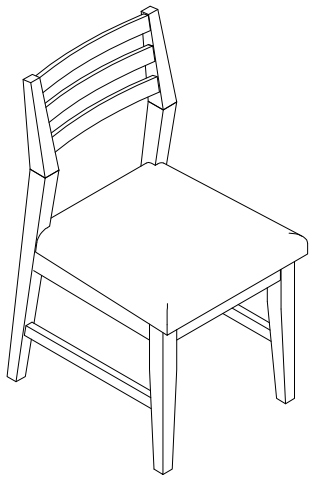


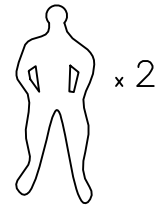
# SIDE CHAIR



## ASSEMBLY INSTRUCTIONS



30 MIN

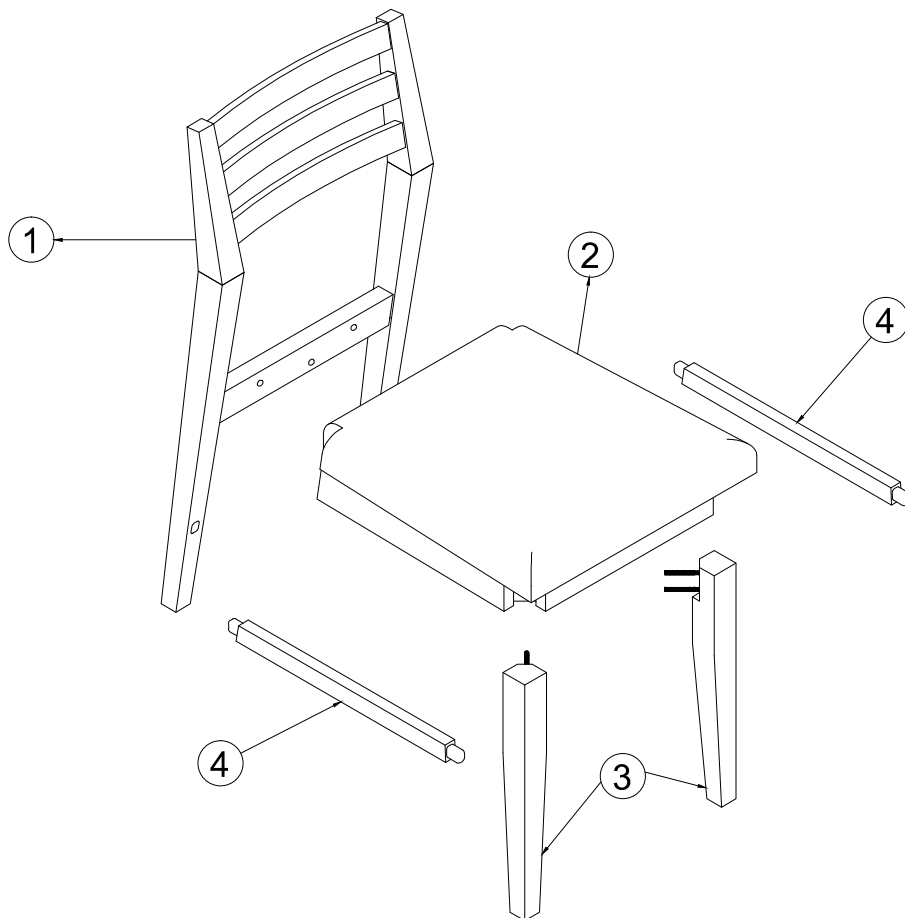


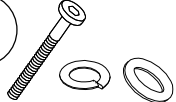
① CHAIR BACK x 1PC

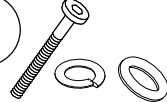
③ CHAIR LEGS x 2PCS


② SEAT FRAME x 1PC

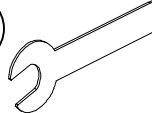
④ SIDE STRETCHERS x 2 PCS

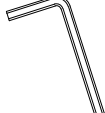


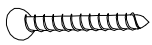
**A**   
M6 x 80 = 4 pcs

**B**   
M6 x 35 = 3 pcs

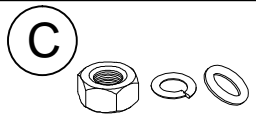
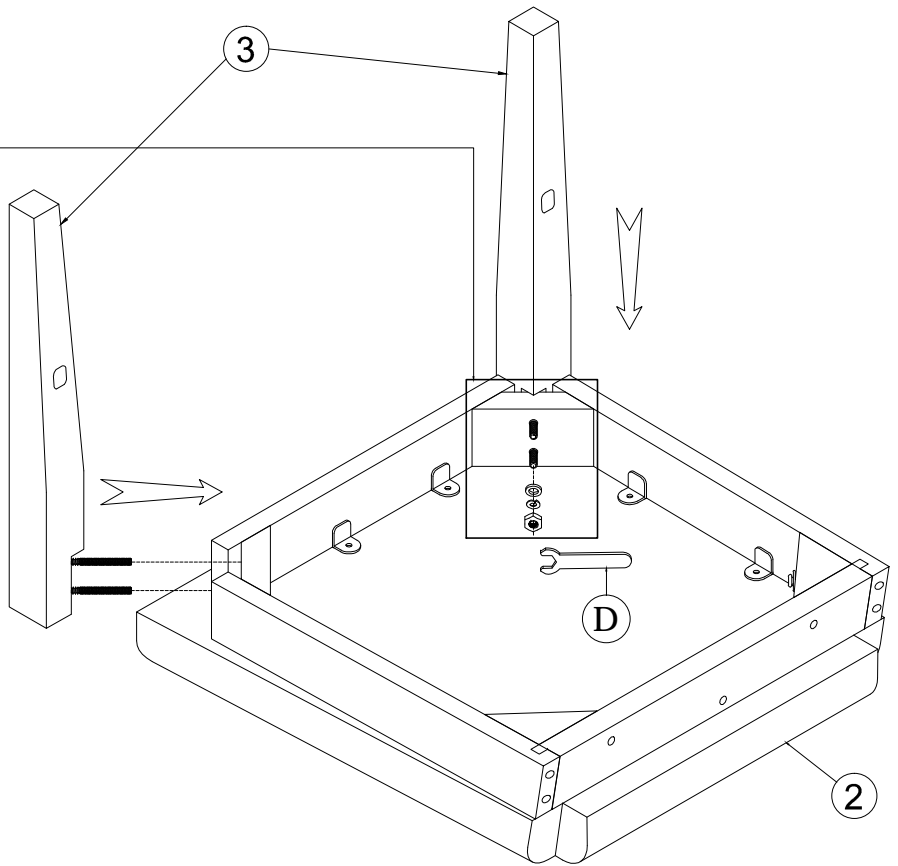
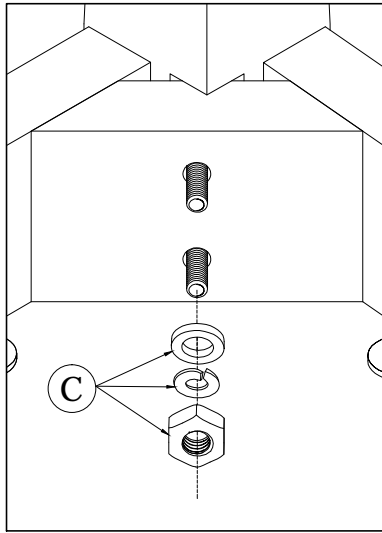
**C**   
M8 = 4 pcs

**D**   
M13 = 1 pc

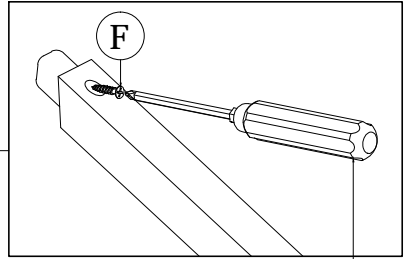
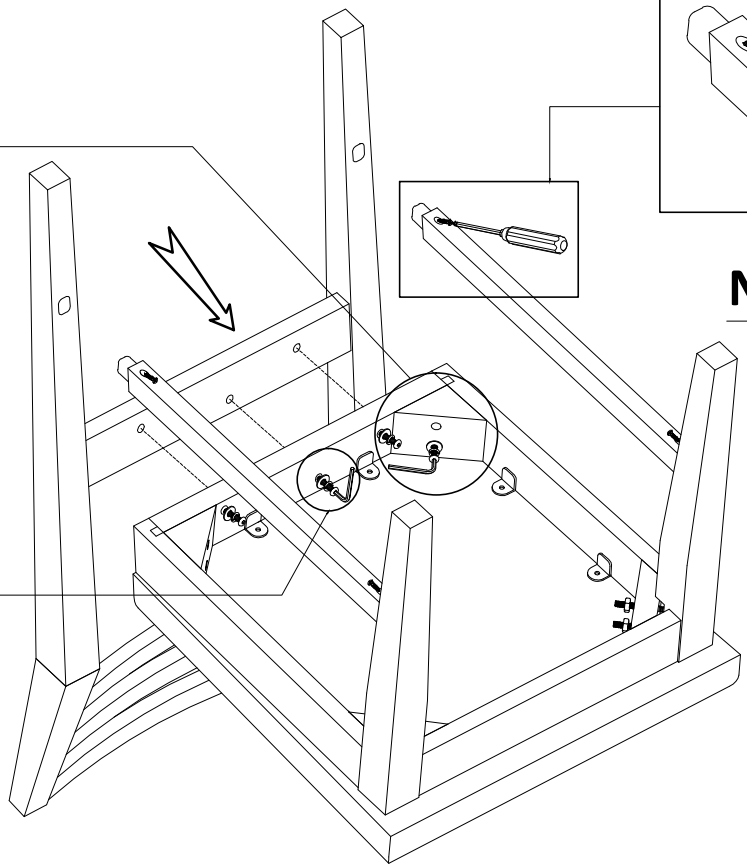
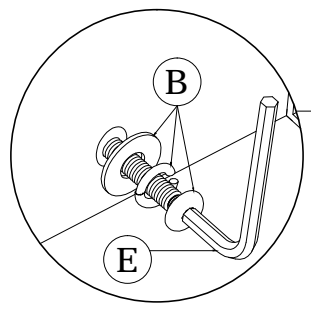
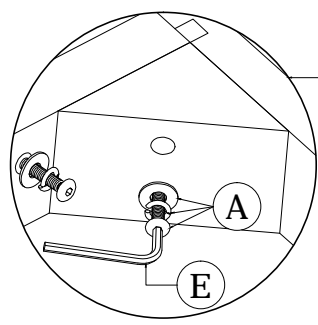
**E**   
Ø4 x 60 = 1 pc

**F**   
Ø4 x 45 = 4 pcs

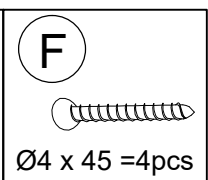
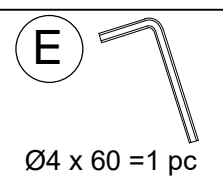
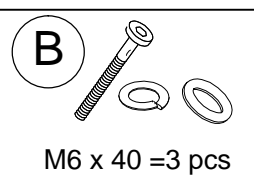
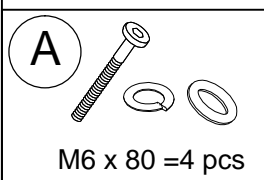
# I



# II



**Not provide**



**ASSEMBLY IS COMPLETE**

