

AFTERSALE SERVICE

Dear customer,

Thank you so much for purchasing the product from us, we really appreciate your support.

We are aimed to provide the best shopping experience to our customers. We also want to build a mutually beneficial relationship with our customers, and step further to make our brand both reliable, responsible and recommendable.

We hope that our products could meet your needs and expectations, please consider us again if you need more products for your home and kitchen.

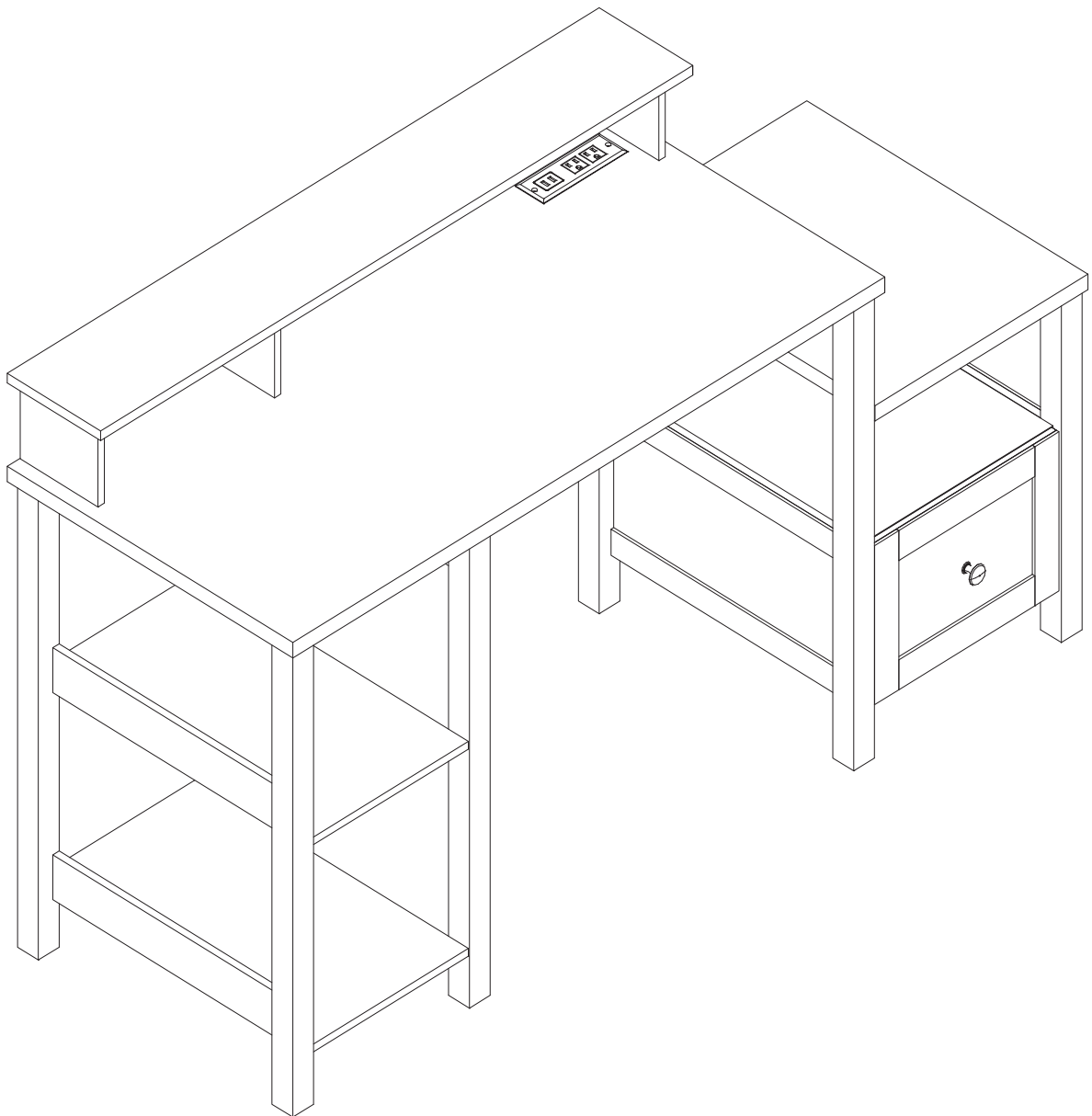
The package would be out of our control during shipping, please contact us through your purchasing channel directly if there is anything wrong with the box or contents. We are always here offering you our service.

We will reply your messages within 24 hours, please kindly wait for the response from our professional service team.

Your comfort and contentment are of utmost importance.

Best Regards,
Customer Care Specialist

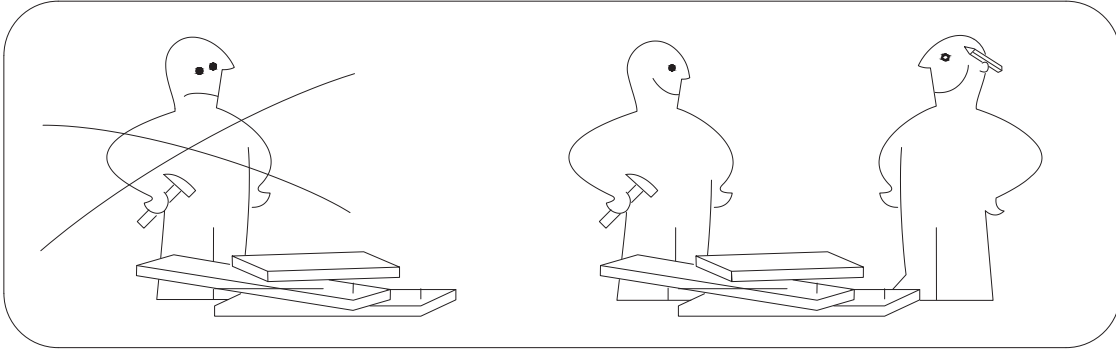
ASSEMBLY INSTRUCTION



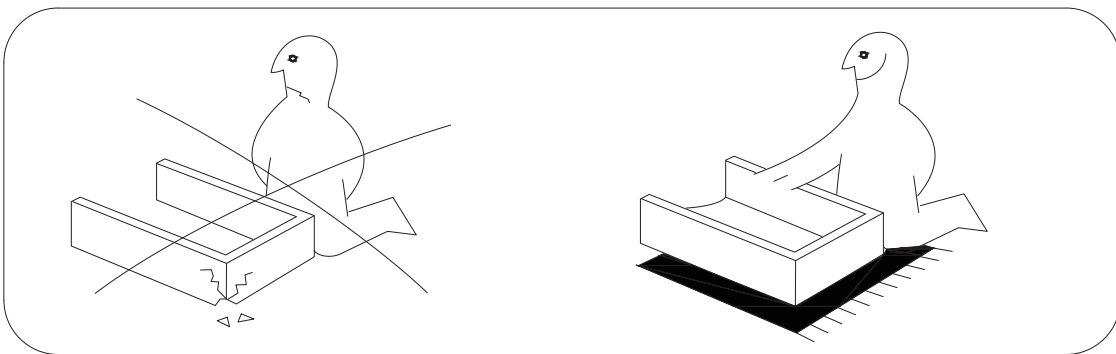


WARNING

Need Two Or More People To Complete



Assemble Item On a Clean Flat Surface



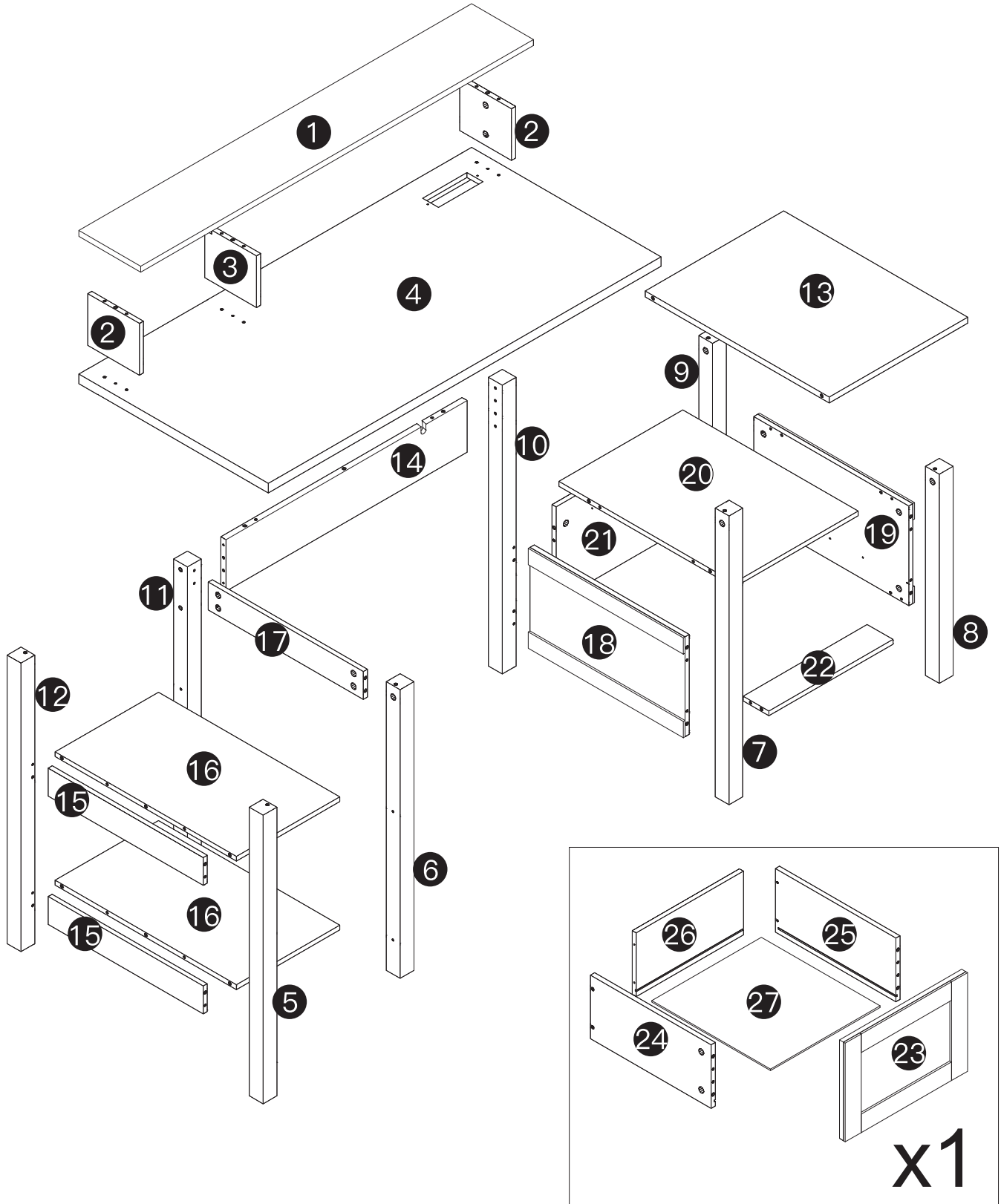
Serious or fatal crushing injuries can occur from furniture tip-over.

ALWAYS secure this furniture to the wall using tip-over restraints.

To further reduce the risk of serious injury and death from tip-overs:

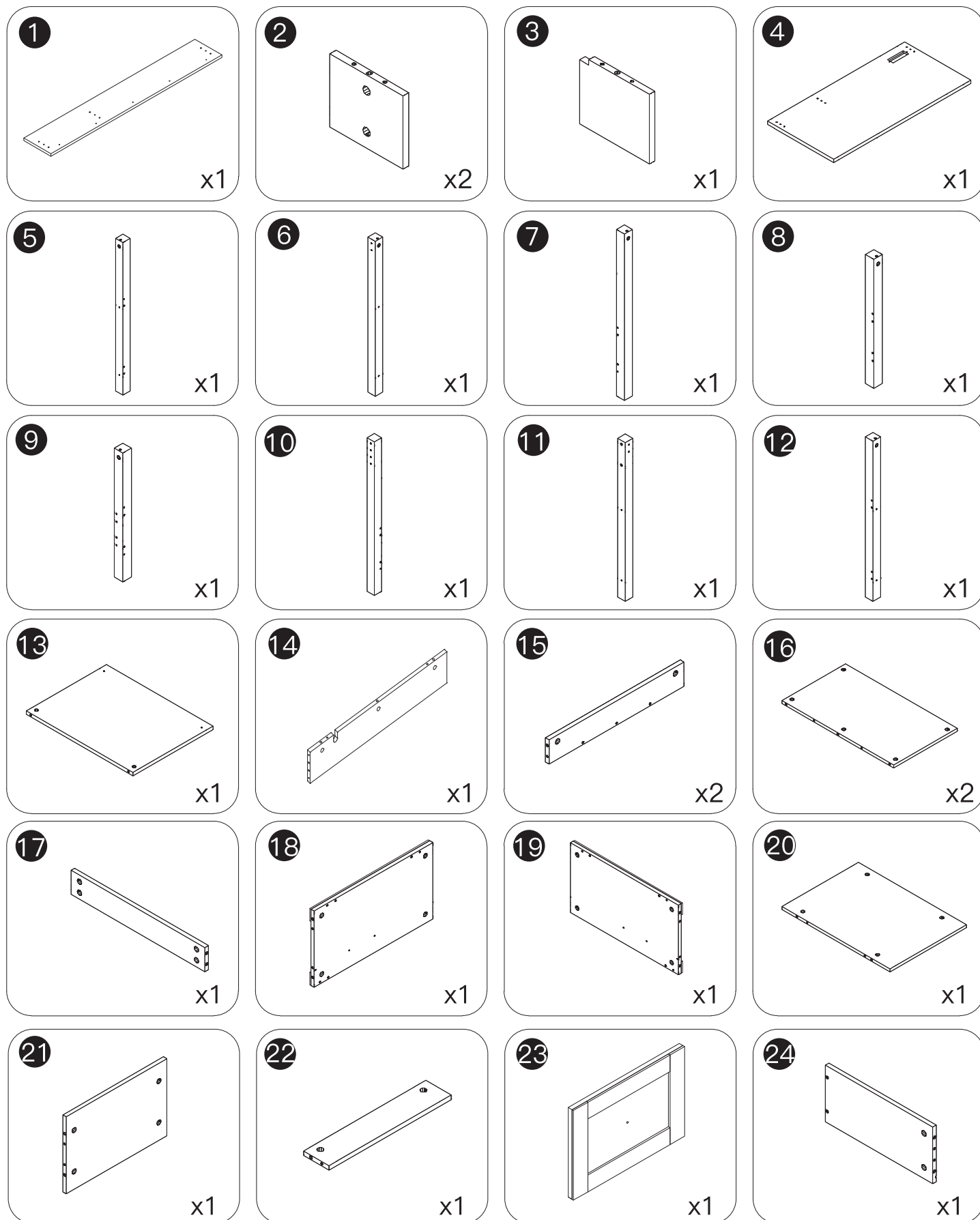
- Install Anti-tip device.
- Place heavier items in the lower drawer.
- Never let children climb or hang on drawers or shelves.
- Do NOT set heavy objects on top of this product.

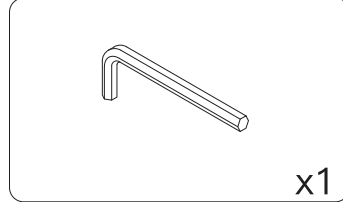
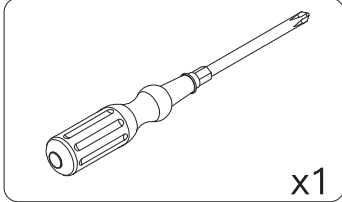
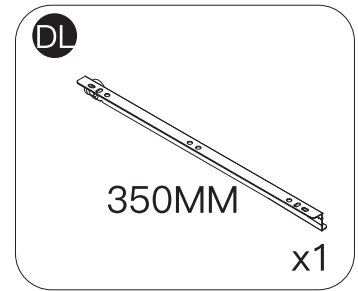
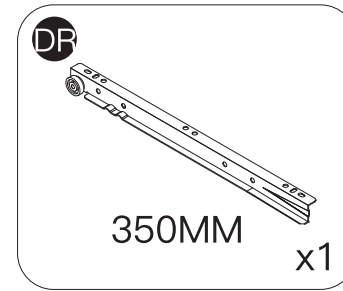
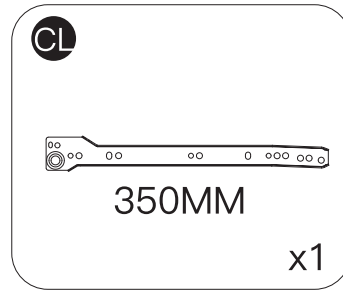
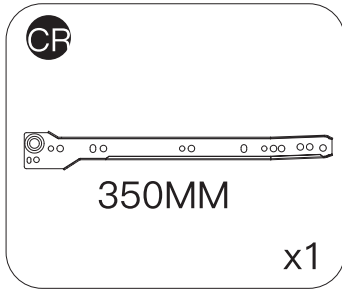
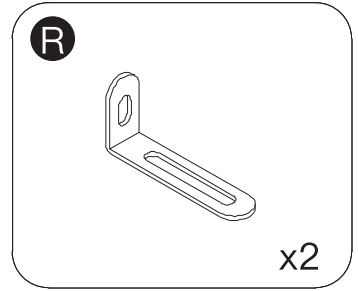
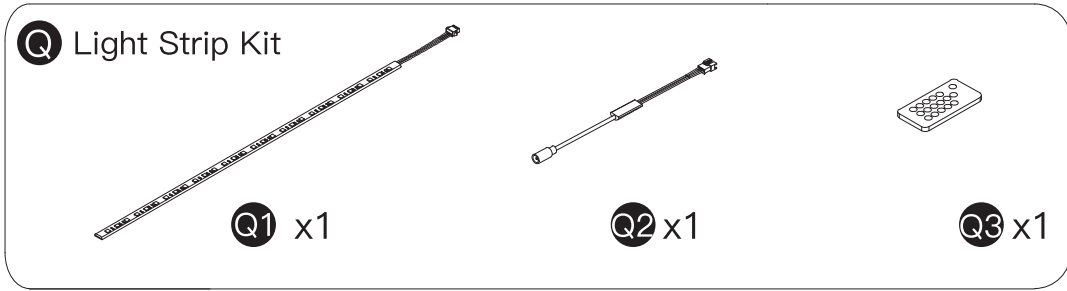
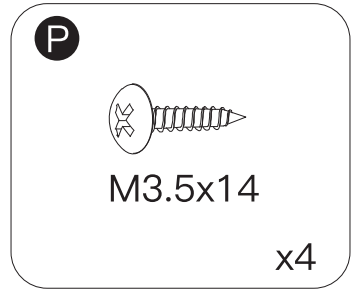
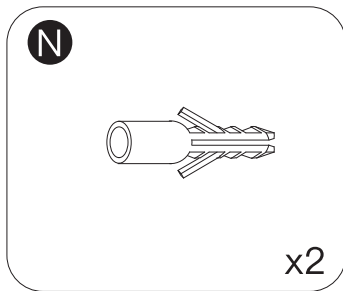
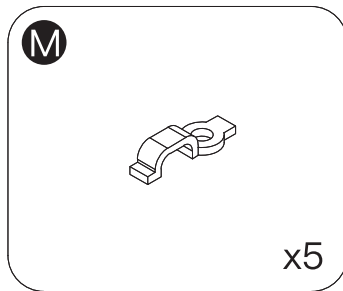
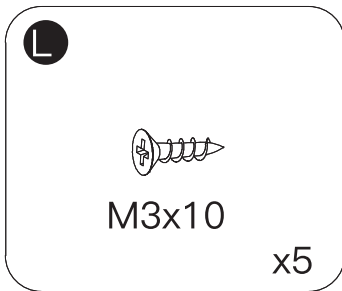
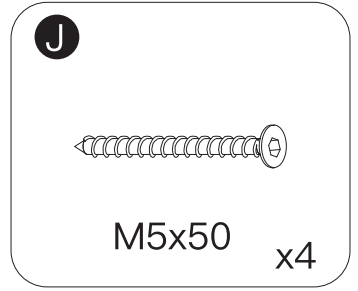
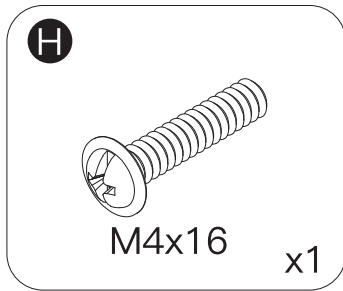
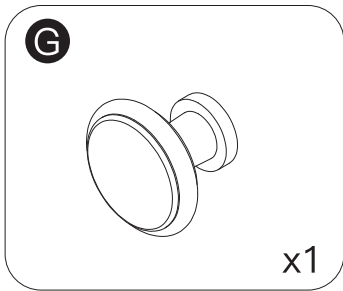
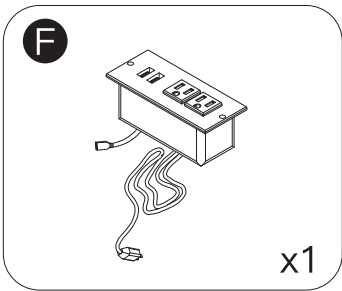
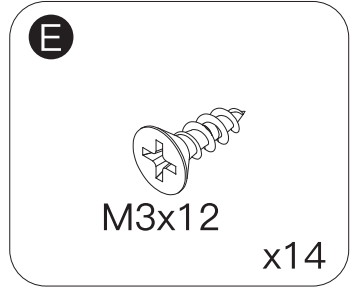
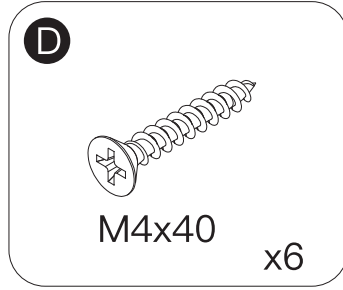
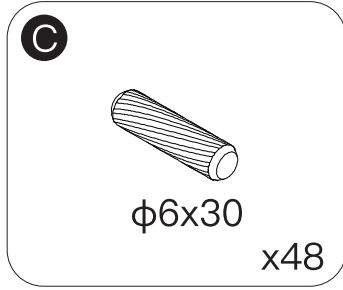
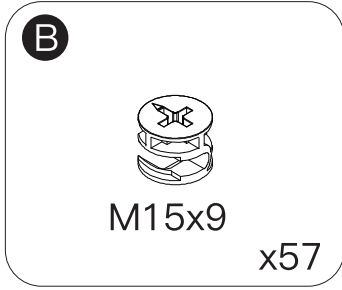
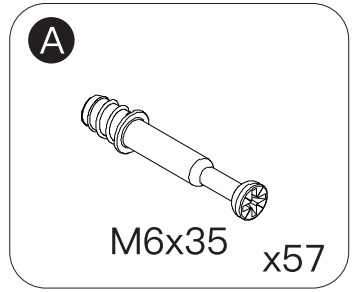
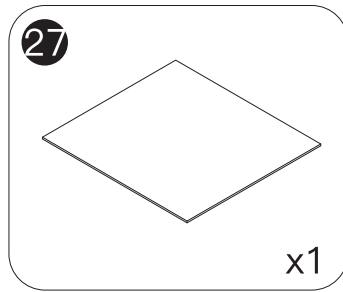
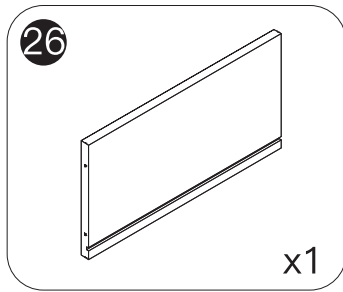
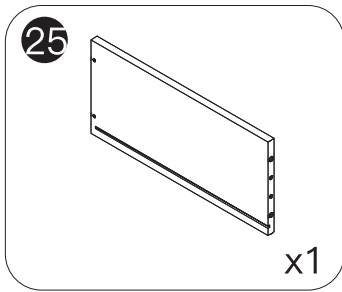
EXPLODED DRAWING:



Please check all parts and accessories according to the parts list before assembling, make sure all contents are sufficient and in good condition. If there is any parts missing or defective, please contact us with purchase platform message immediately to get replacement parts.

PARTS:



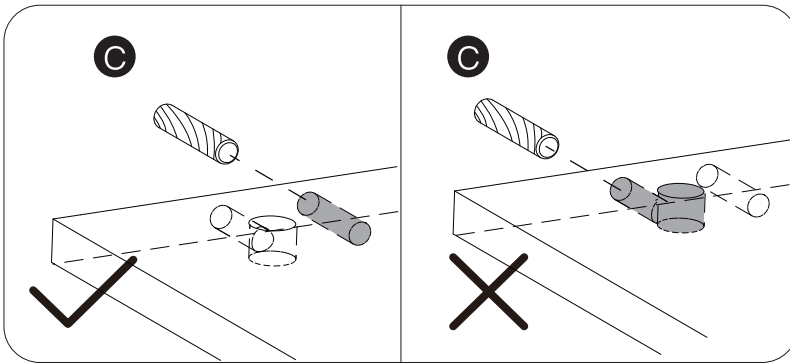


HOW TO INSTALL

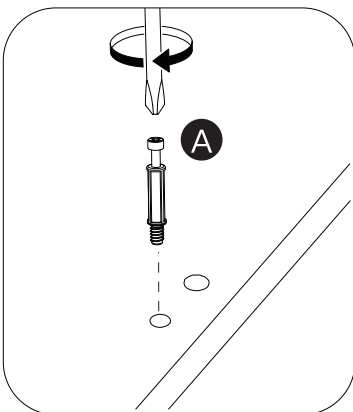
NOTICE:

1. Use electric drill for easier installation experience.
2. Please drive the screws in pre-drilled holes.
3. Please strictly follow the instruction and diagram in every step.
4. Make sure every part is on the right position, otherwise it may cause unnecessary problem.
5. Select the proper component via the label on every part while assembling.

REMARK:

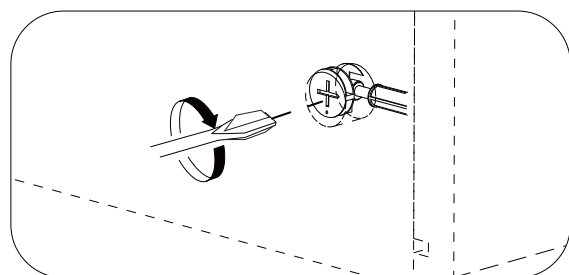
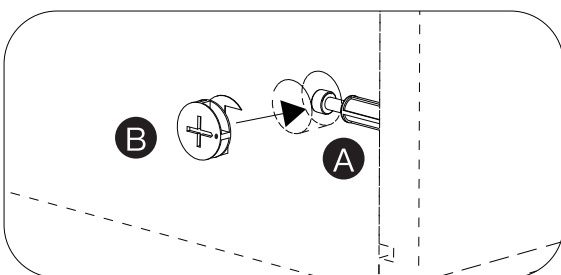


Avoid inserting part C into wrong holes.

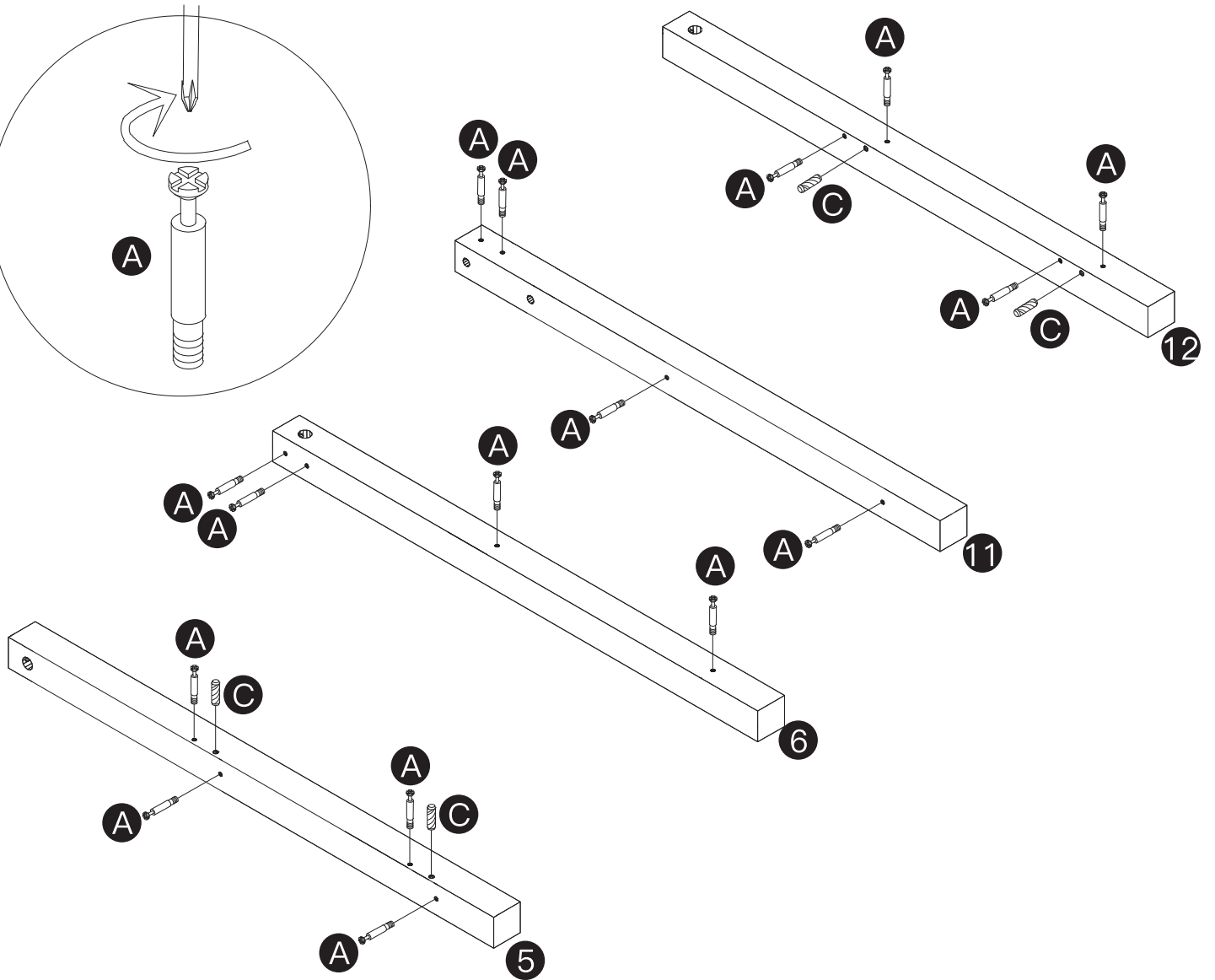
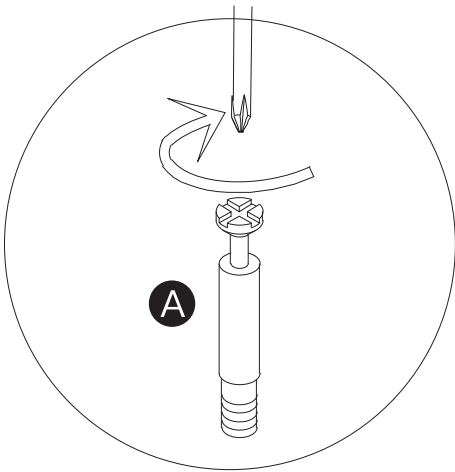
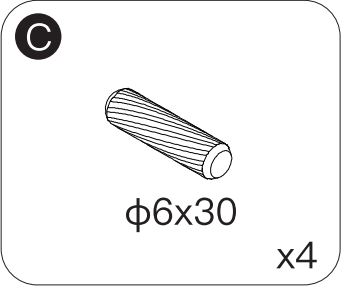
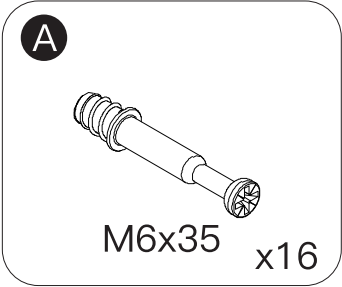
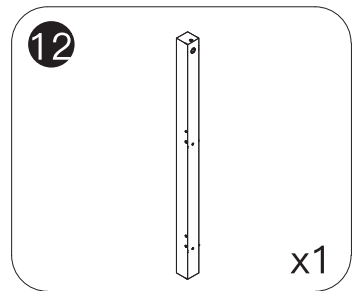
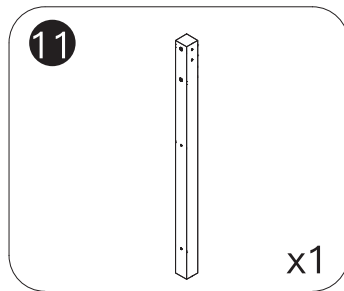
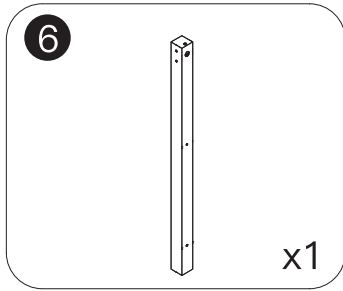
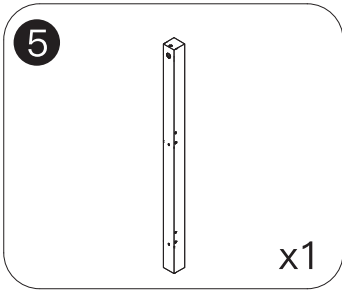


Part A must be installed into the holes with rubber nuts which are smaller than others.

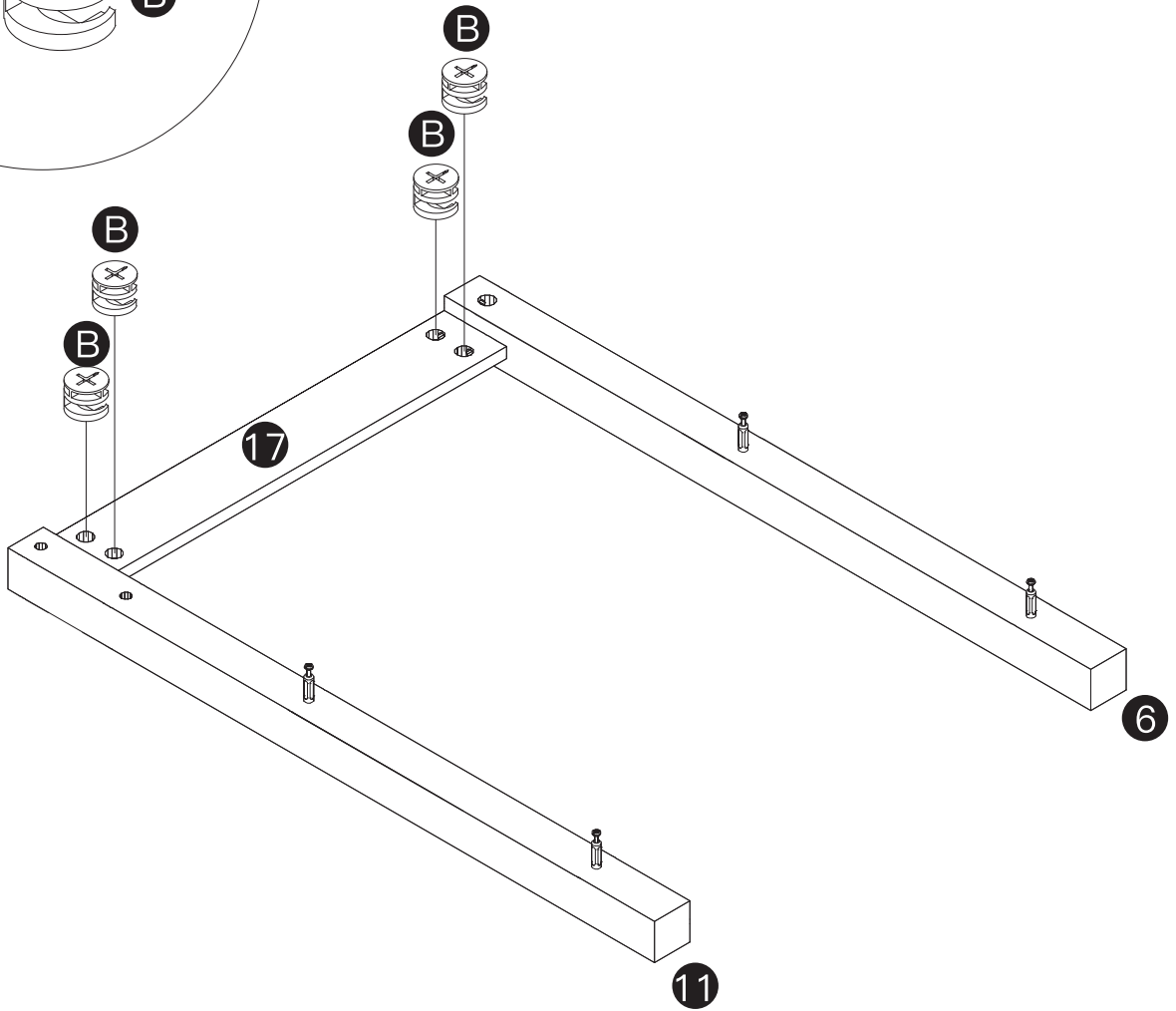
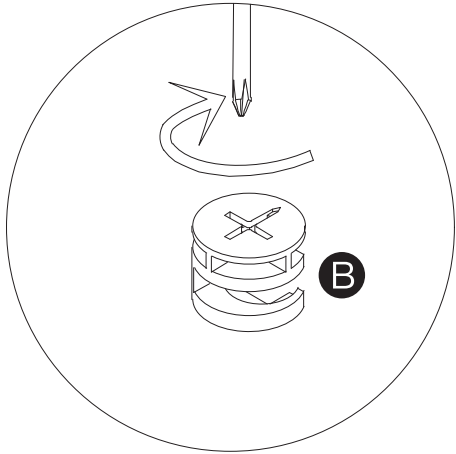
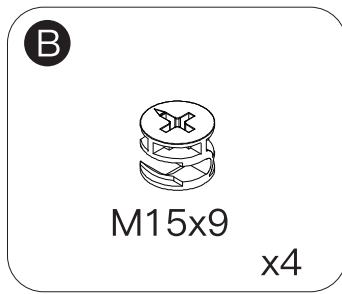
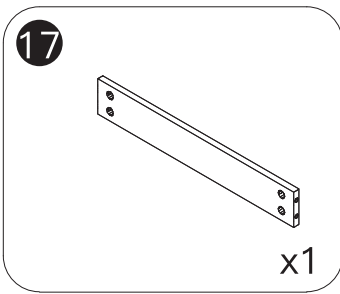
When locking part B, please make sure part A is fully inserted.



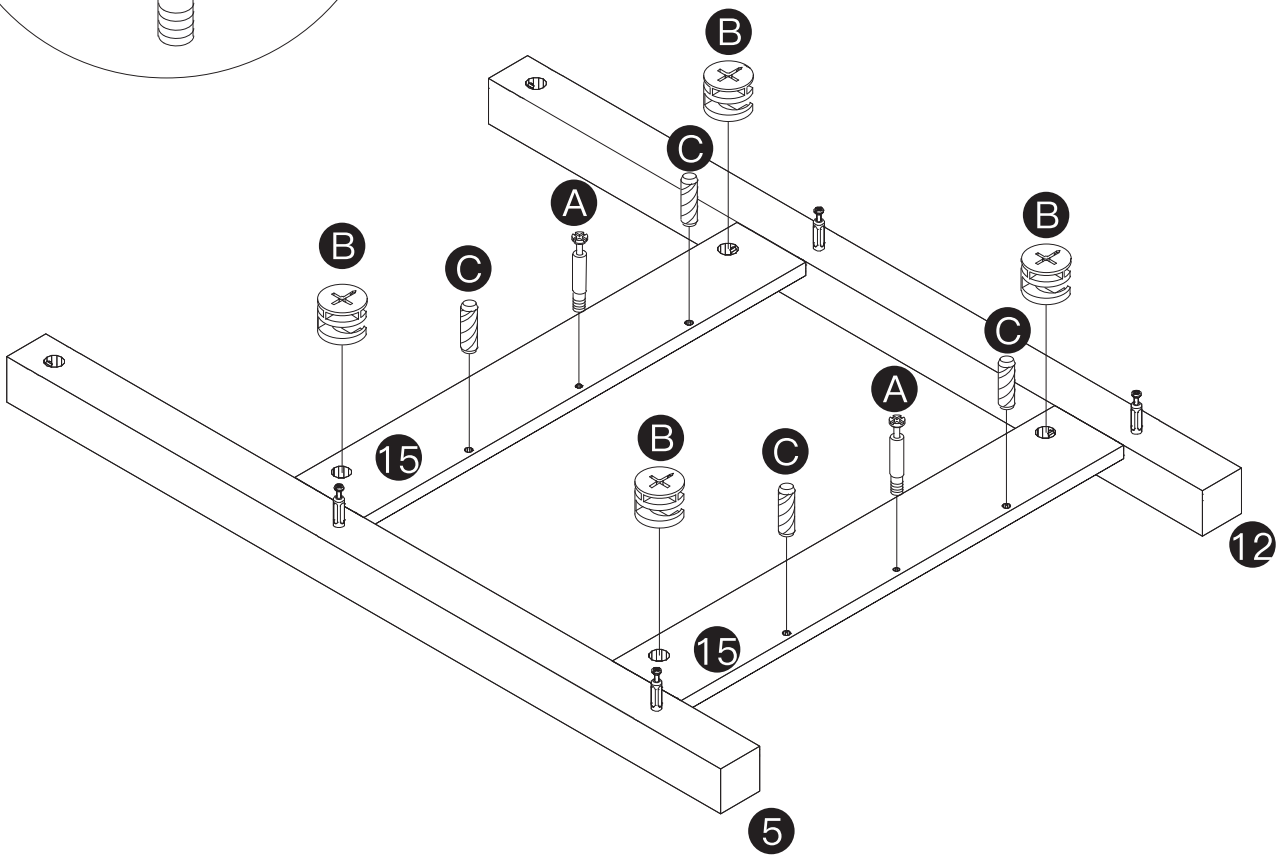
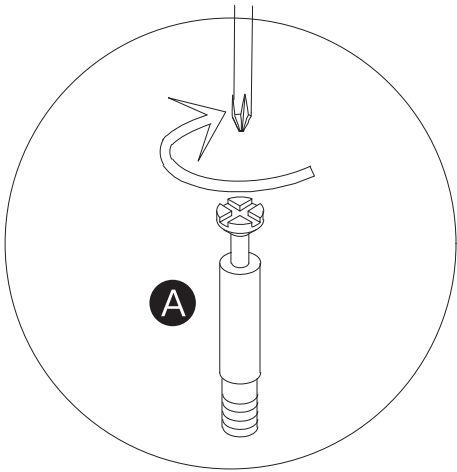
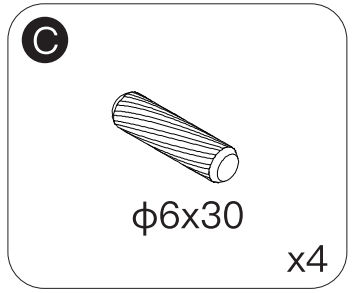
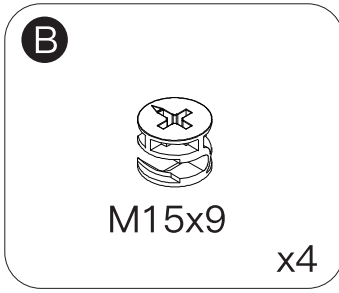
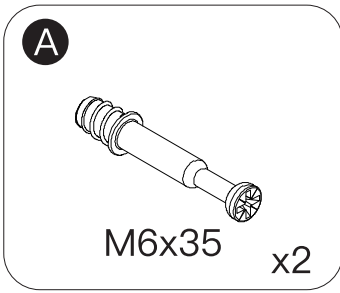
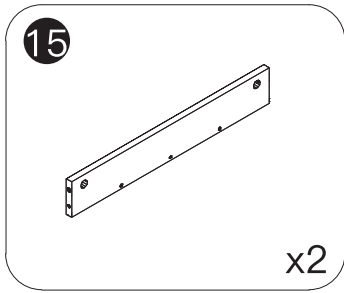
STEP 1



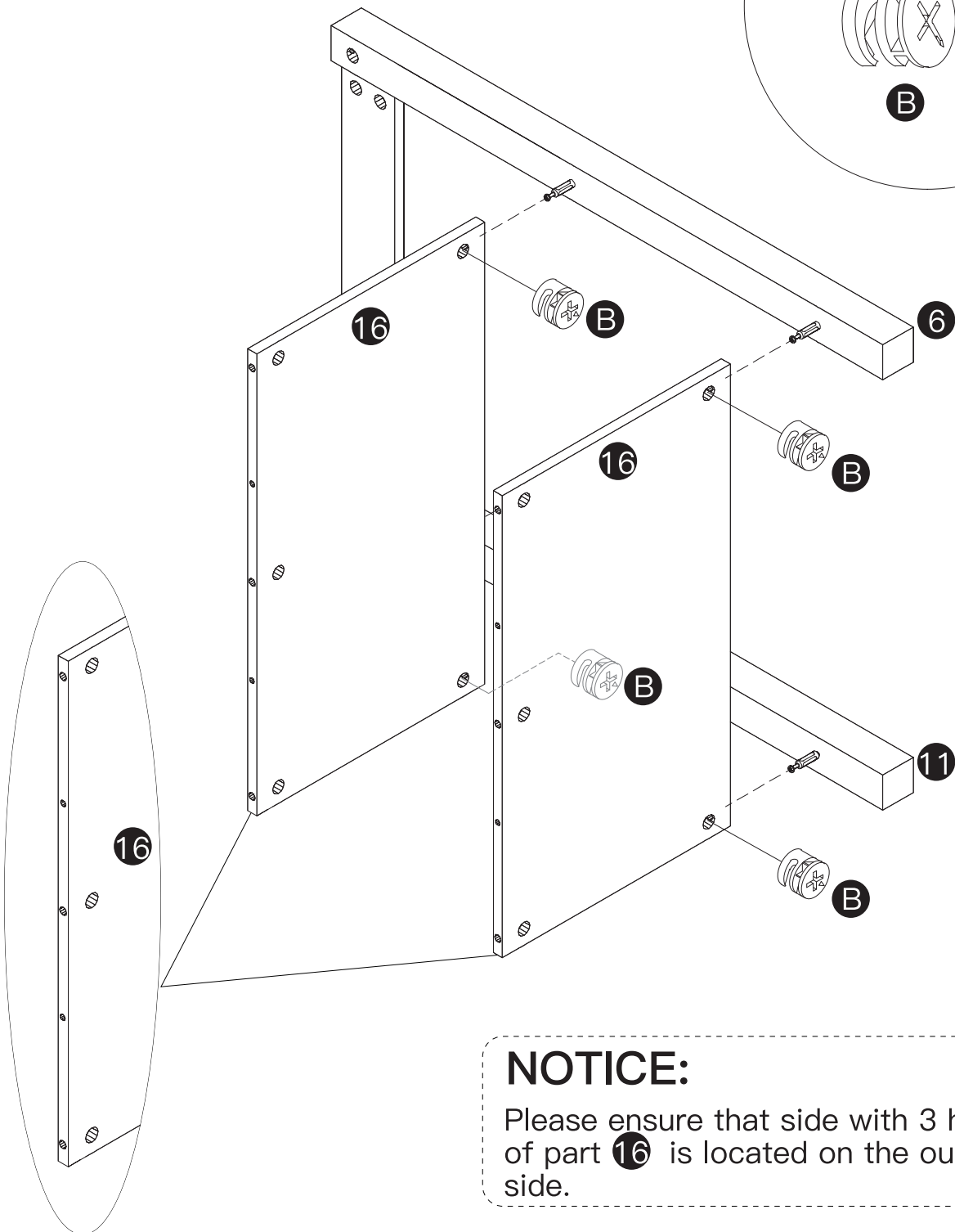
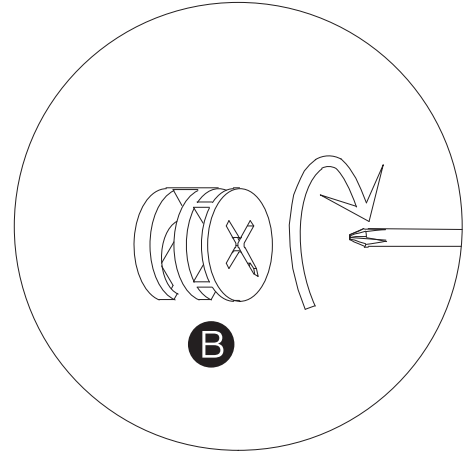
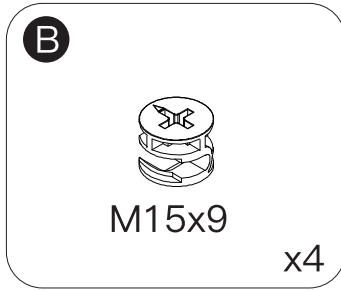
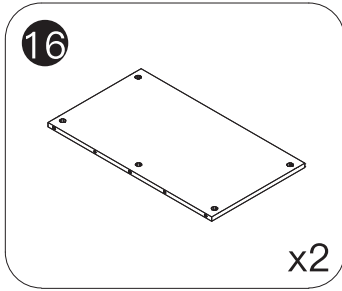
STEP 2



STEP 3



STEP 4



NOTICE:

Please ensure that side with 3 holes of part 16 is located on the outer side.

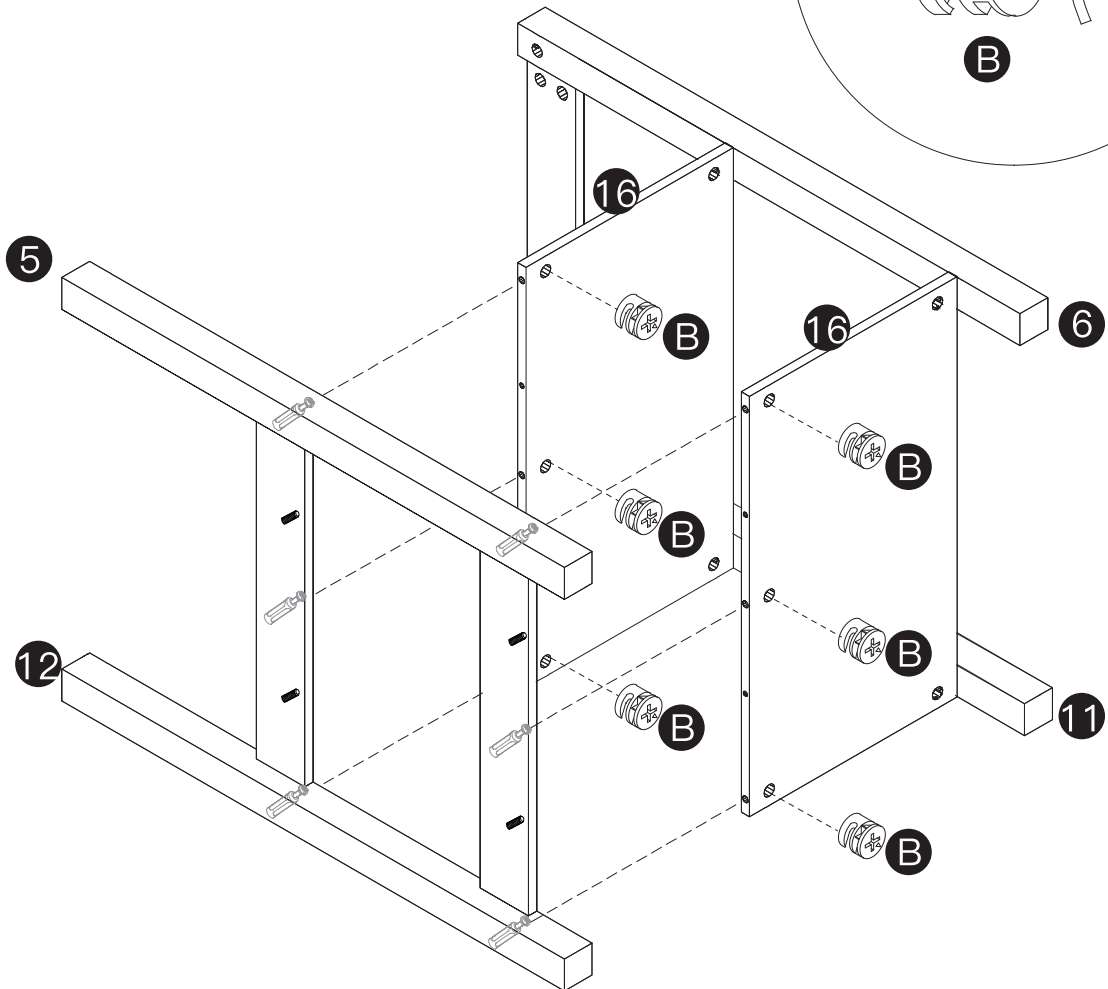
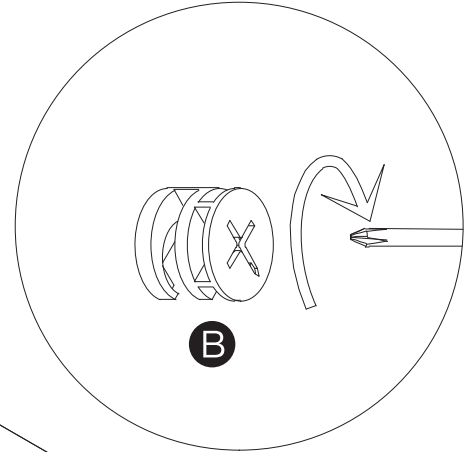
STEP 5

B

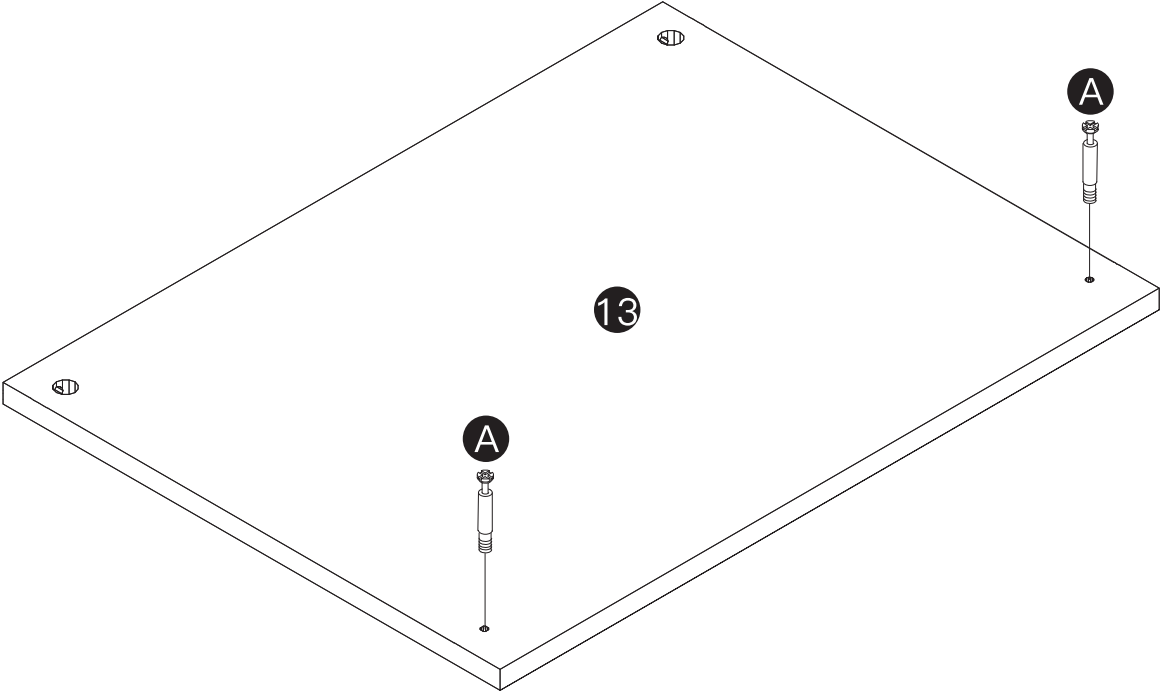
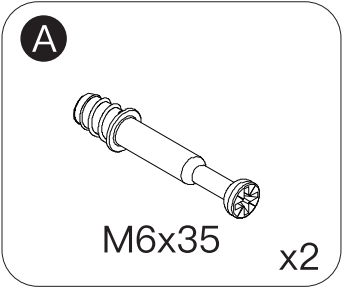
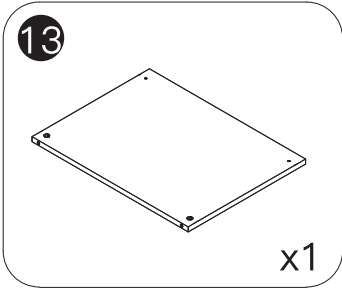


M15x9

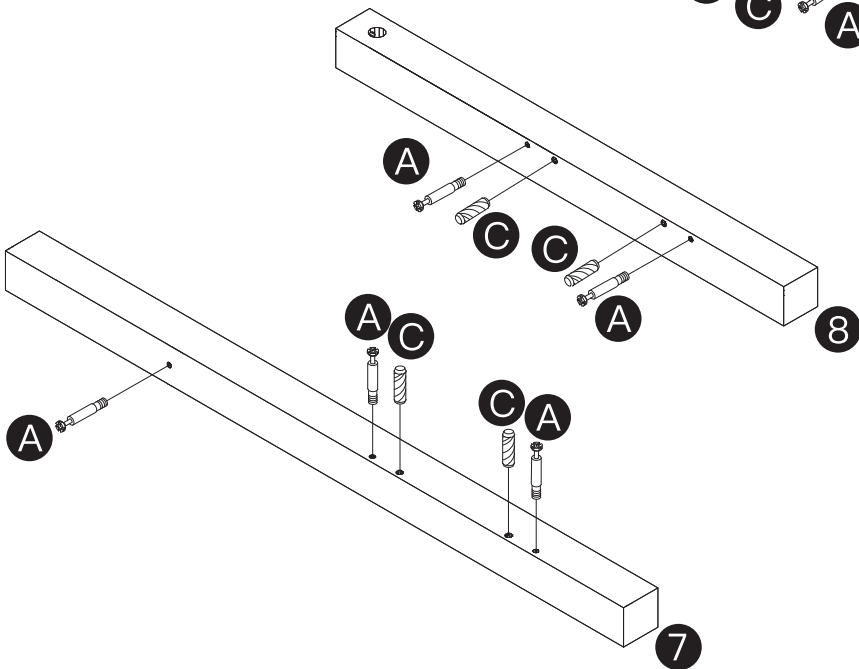
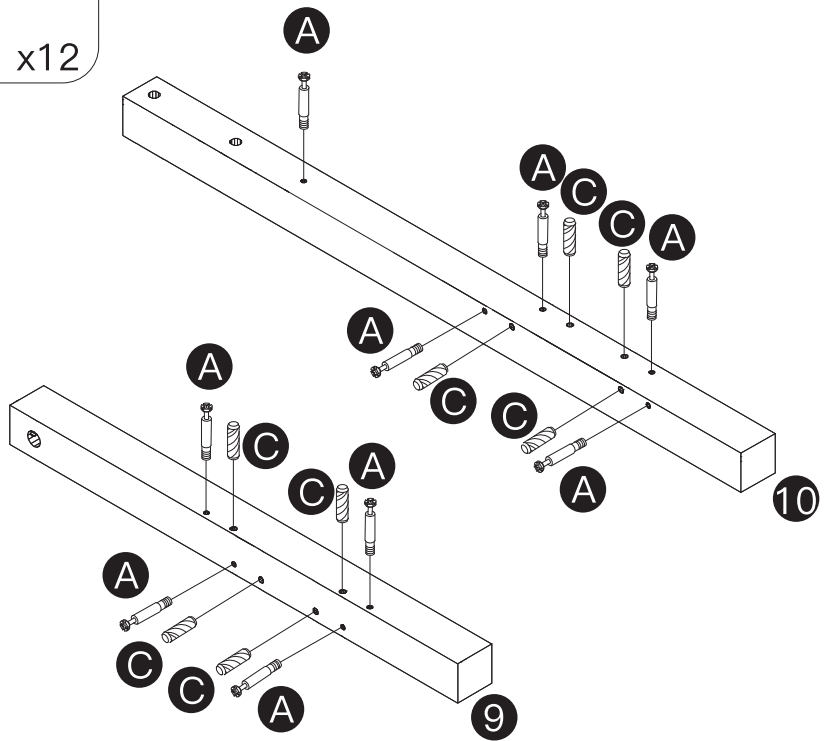
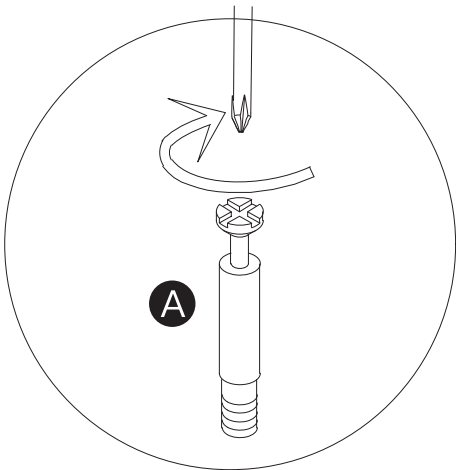
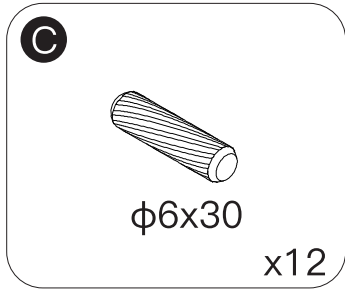
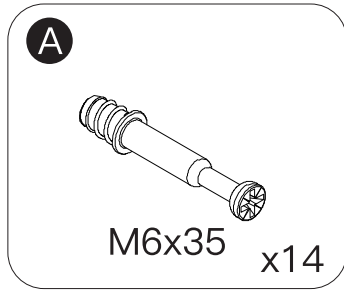
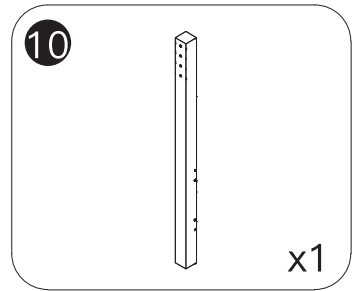
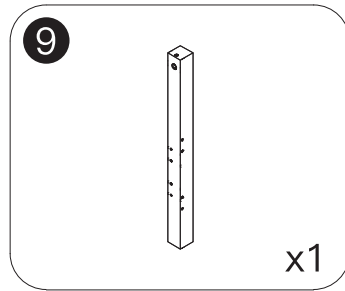
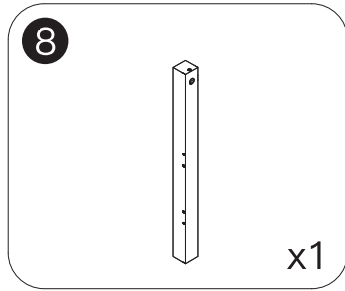
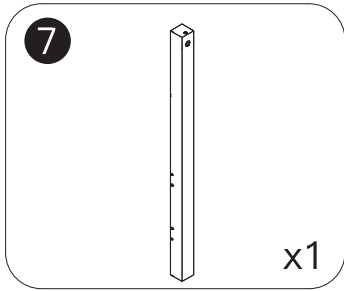
x6



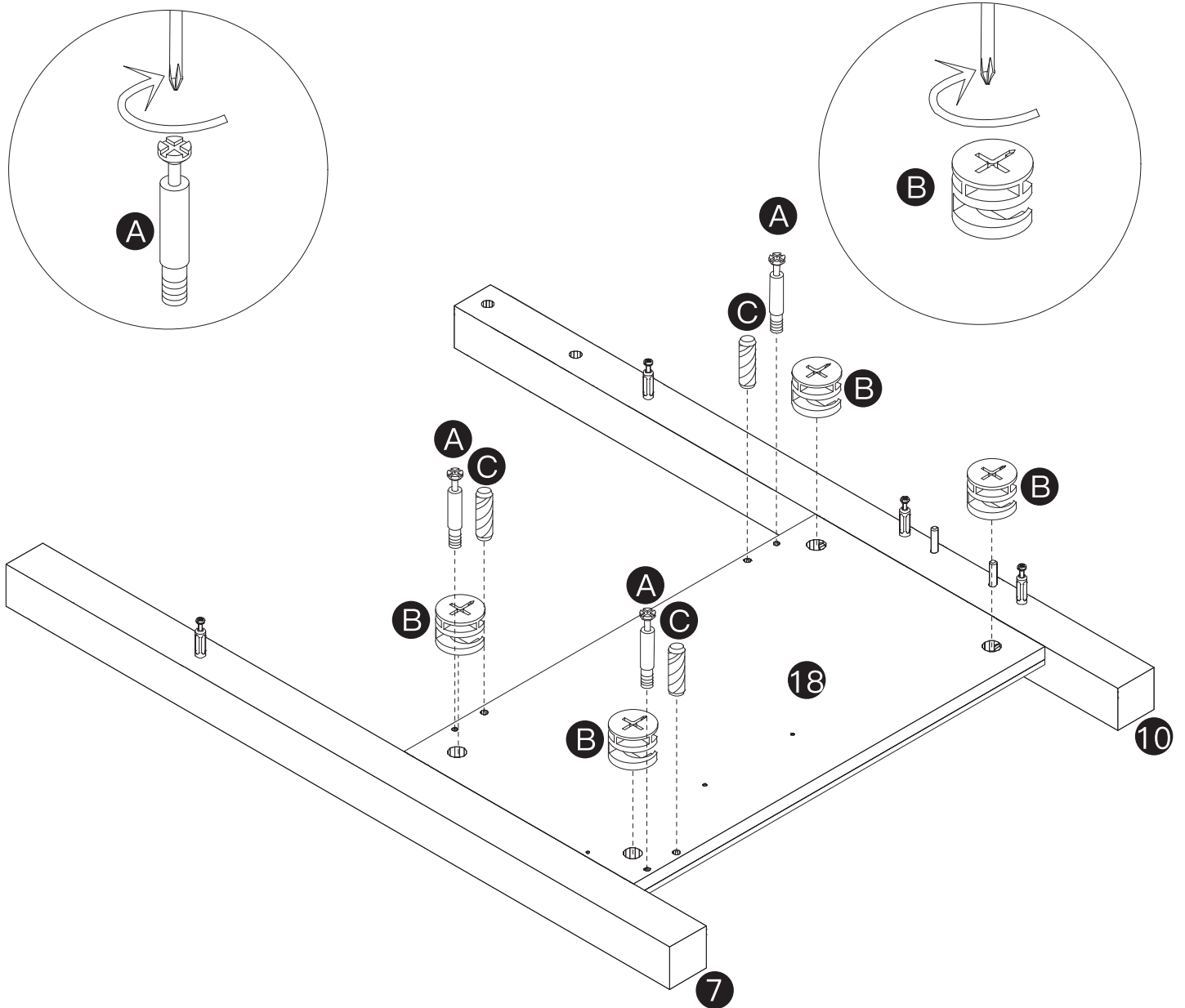
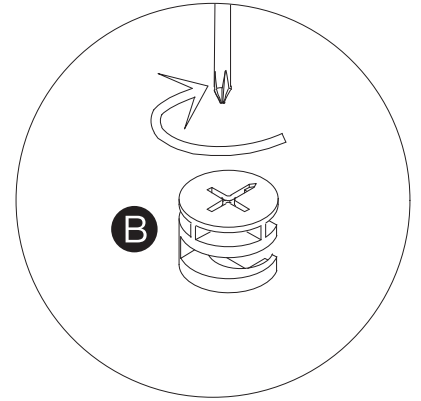
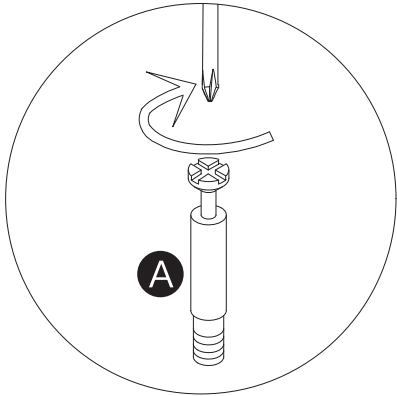
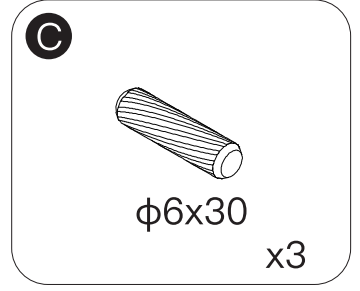
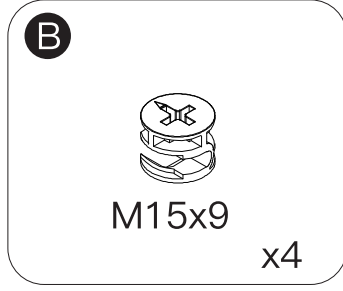
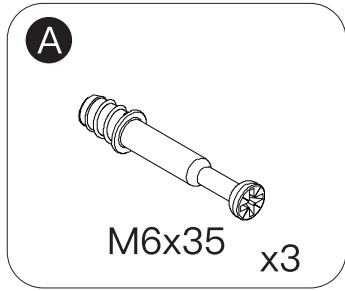
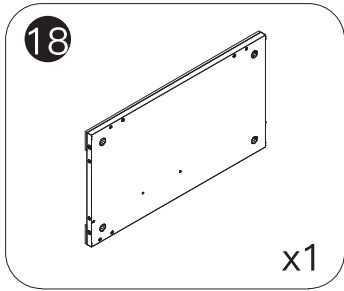
STEP 6



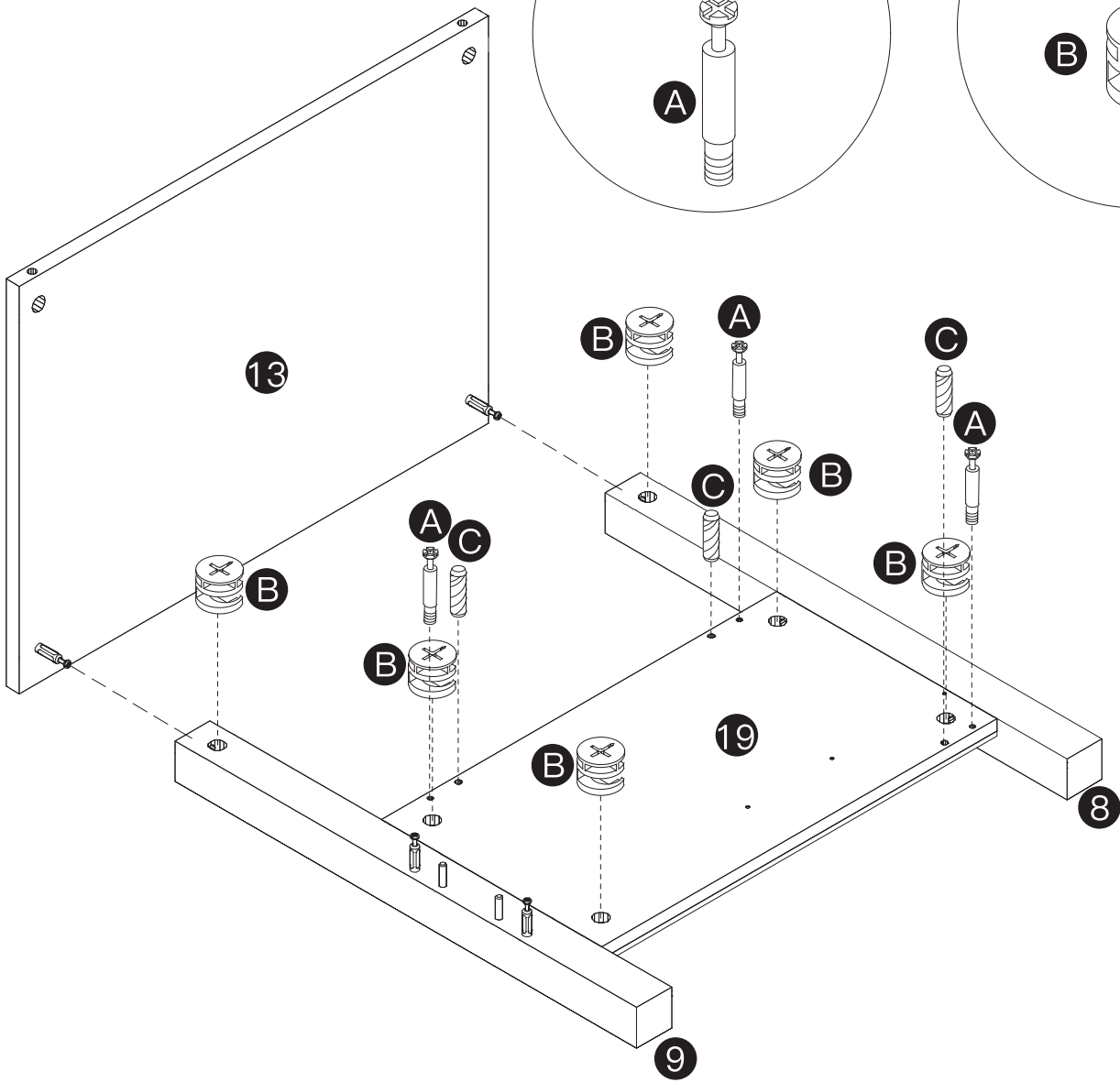
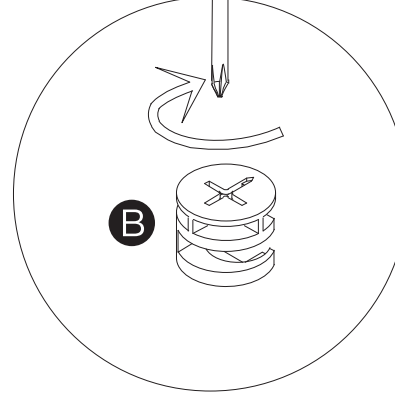
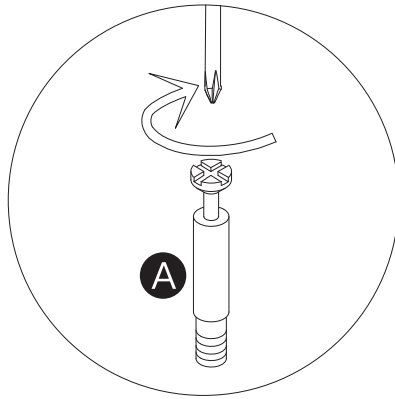
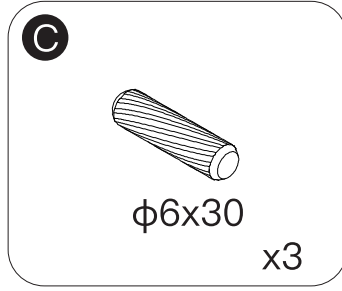
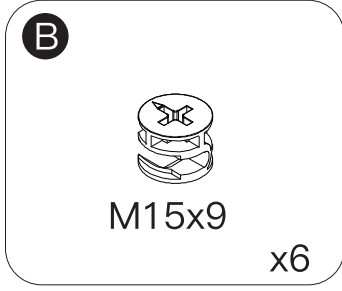
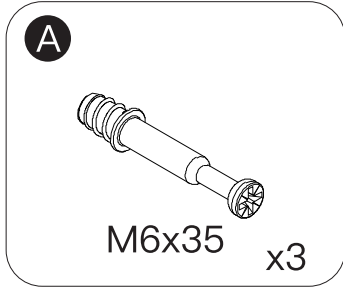
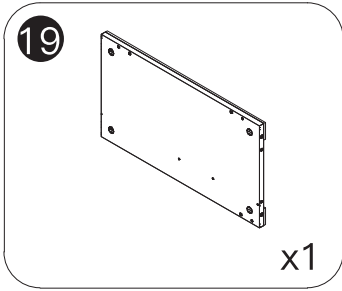
STEP 7



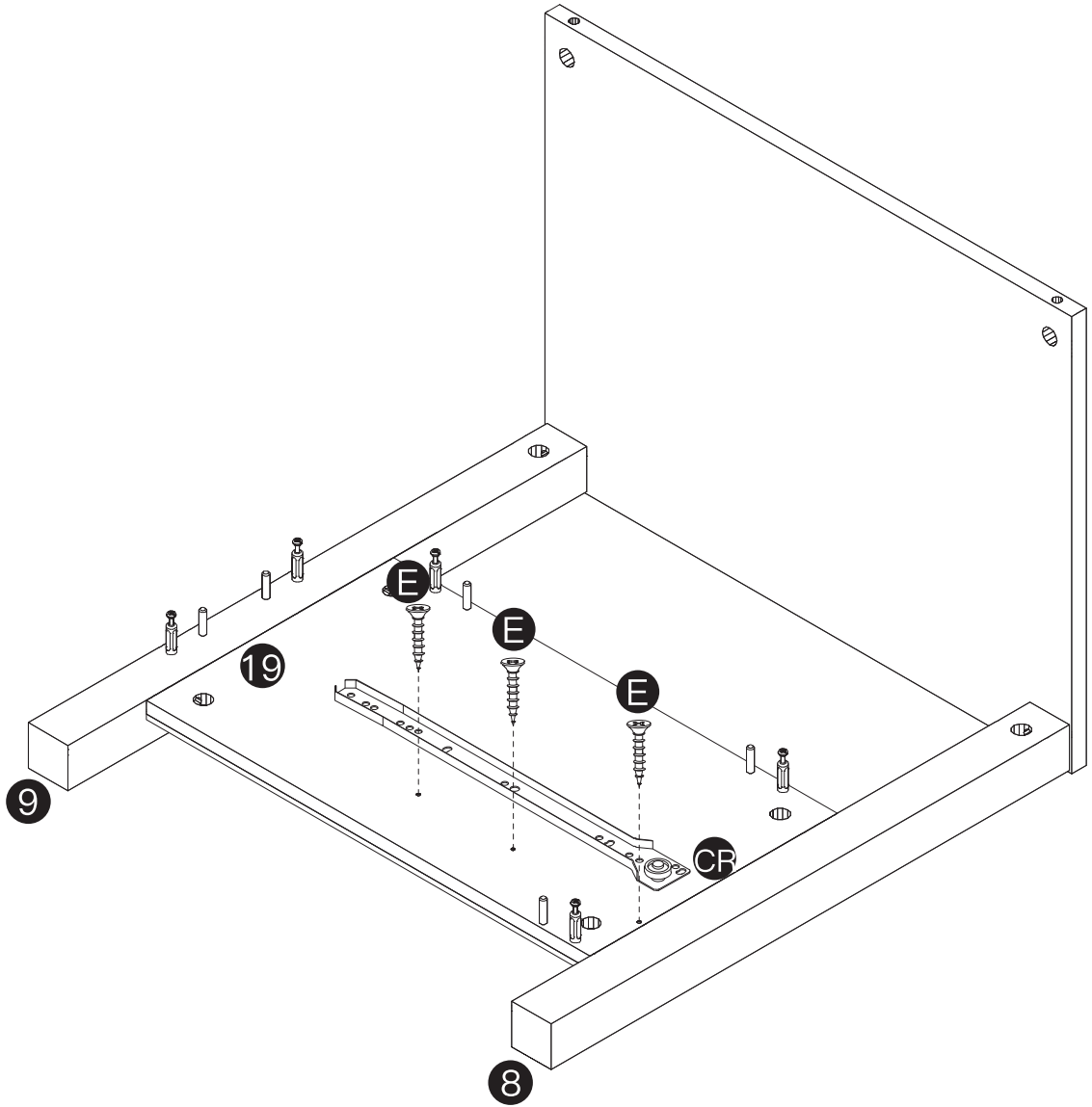
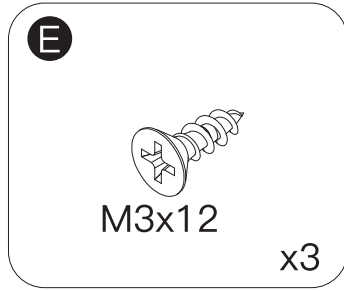
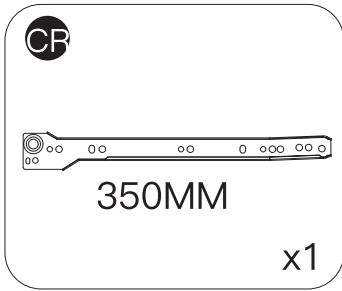
STEP 8



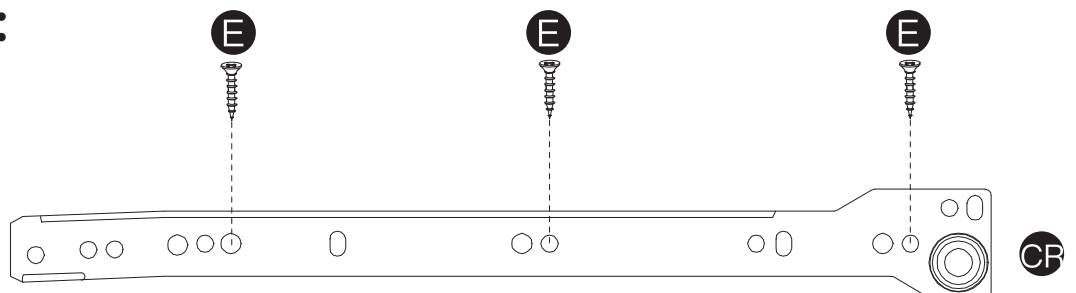
STEP 9



STEP 10

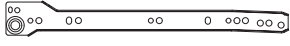


REMARK:



STEP 11

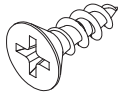
CL



350MM

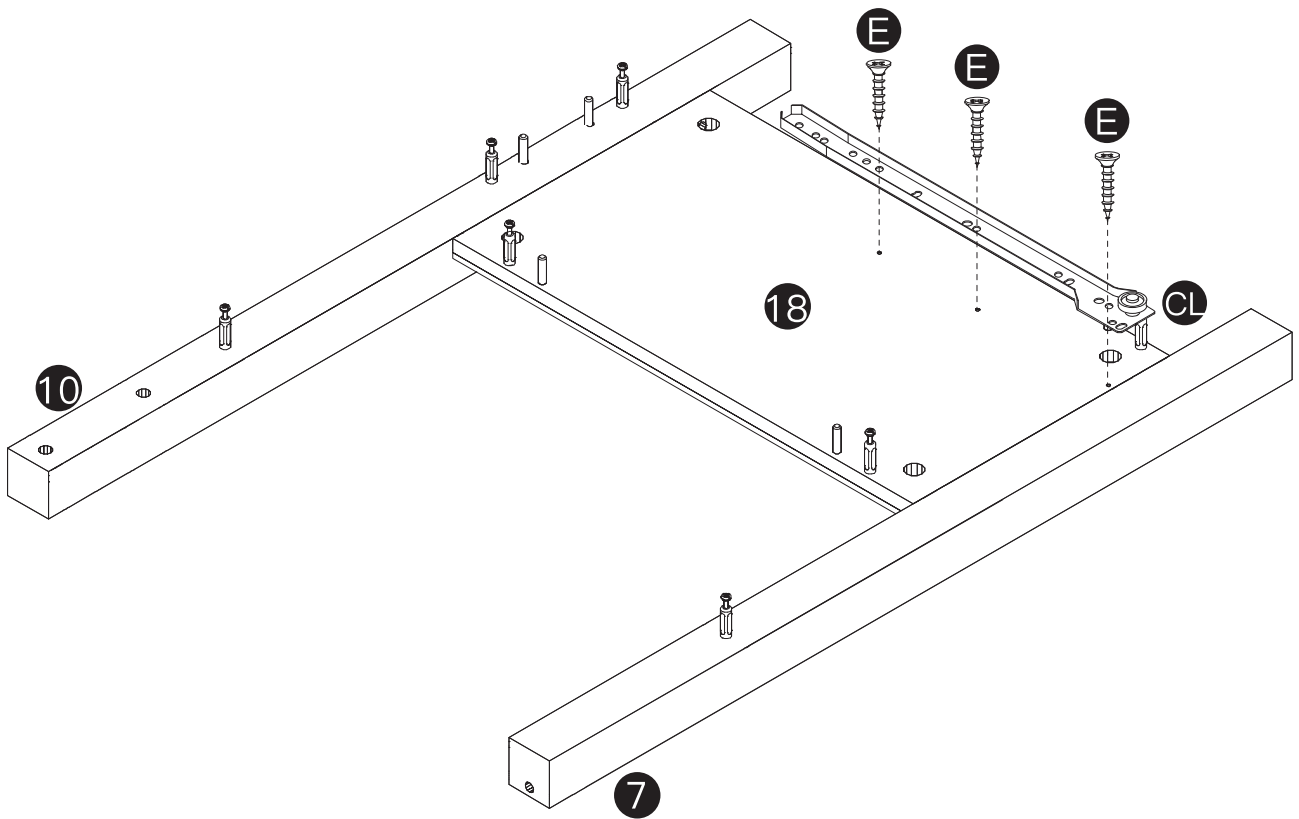
x1

E

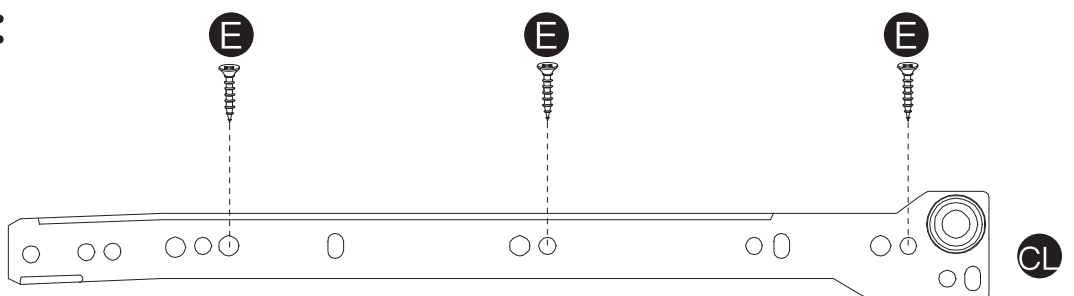


M3x12

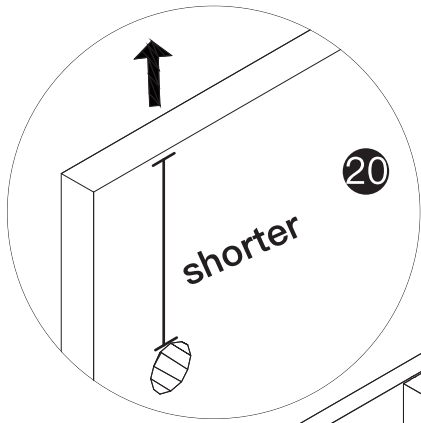
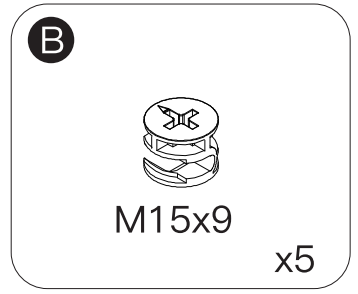
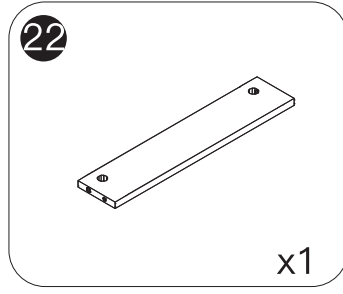
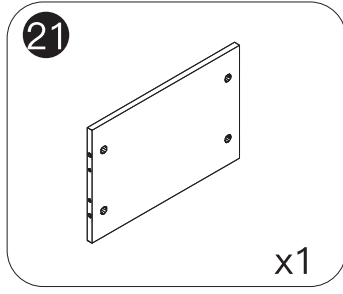
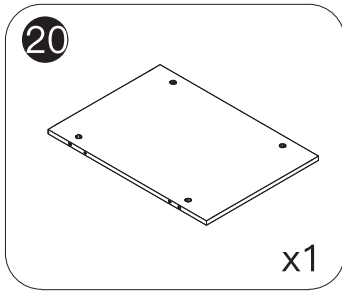
x3



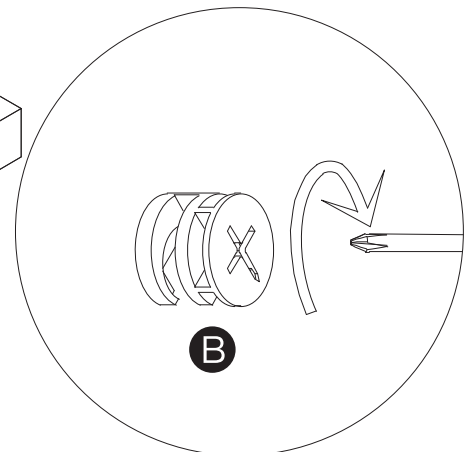
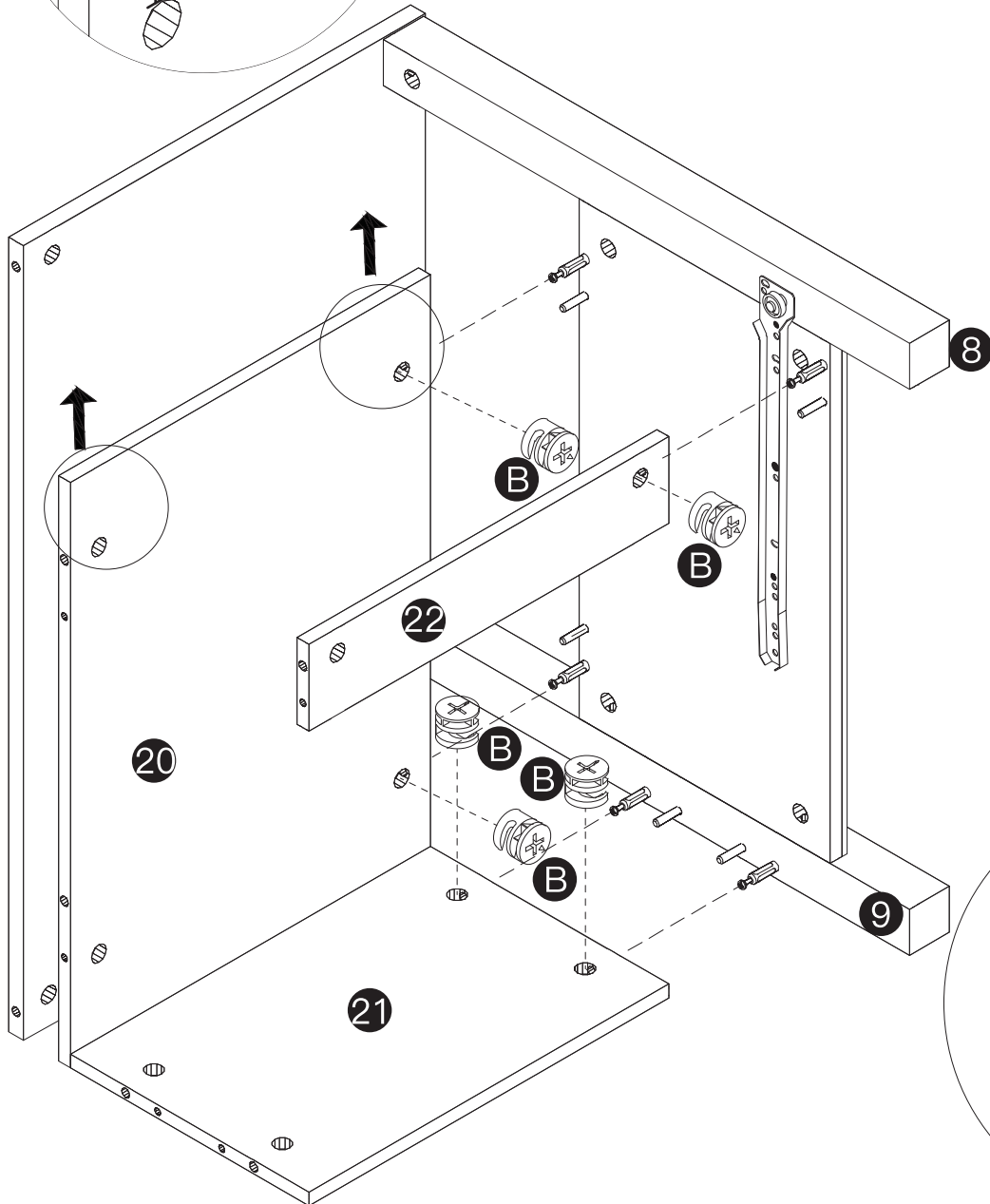
REMARK:



STEP 12



NOTICE:
Please ensure that the side with the hole in part 20 that is closer to the edge is facing upwards.



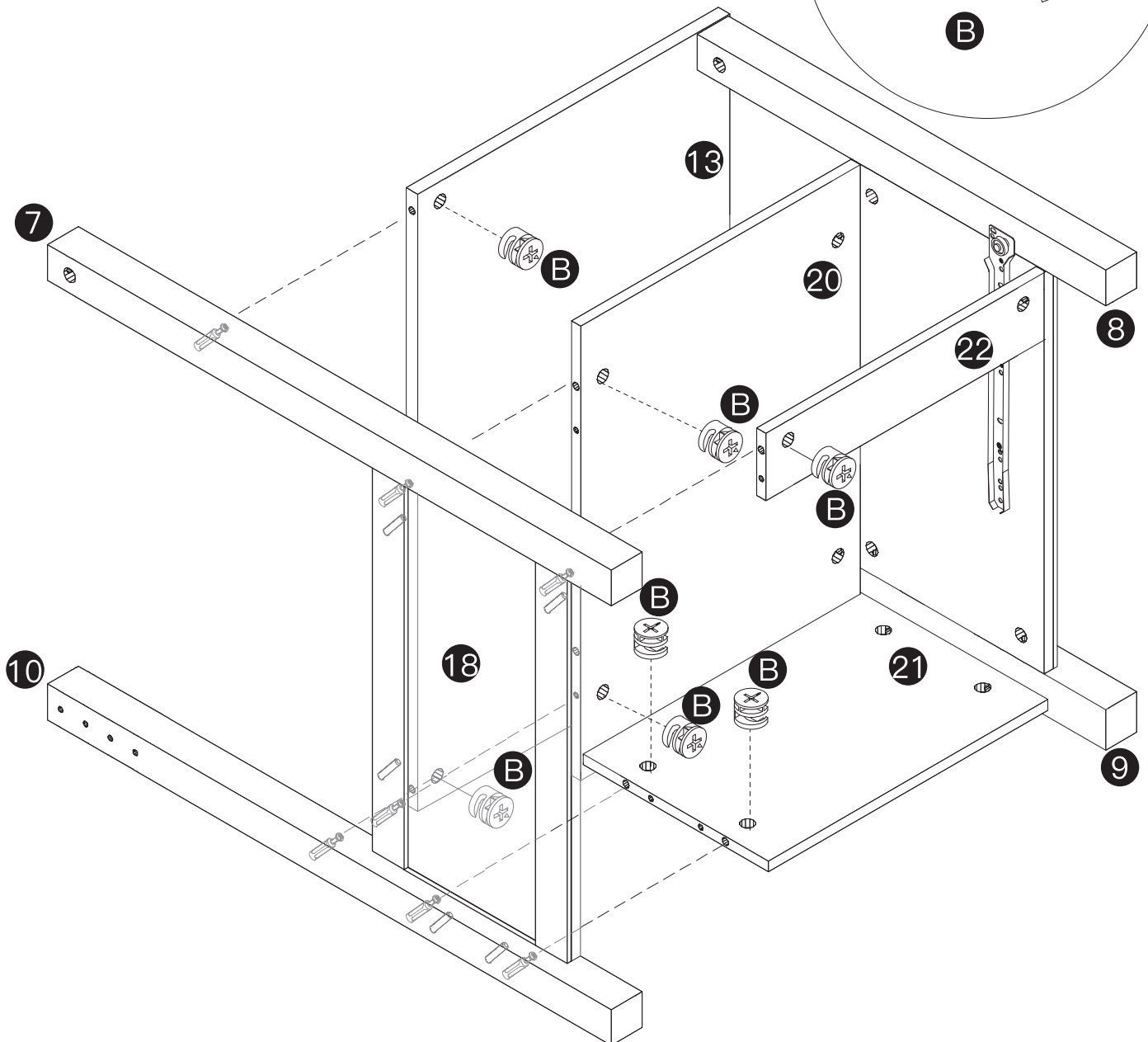
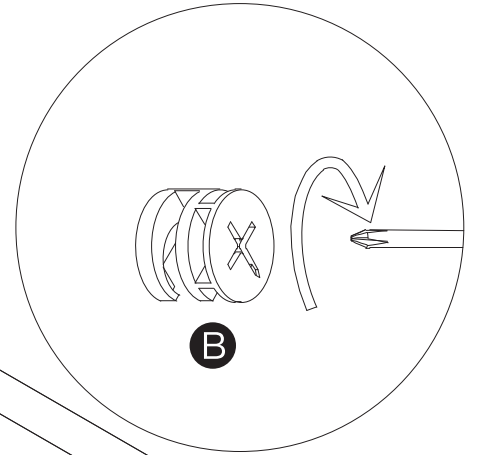
STEP 13

B

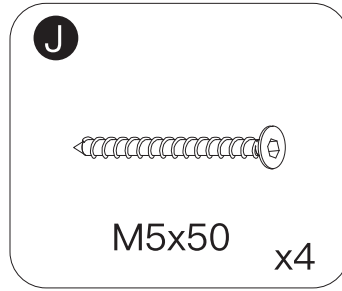
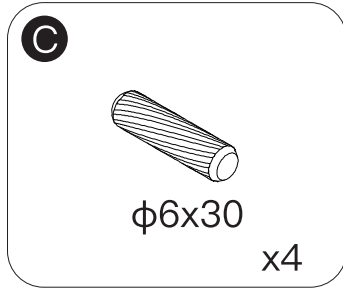
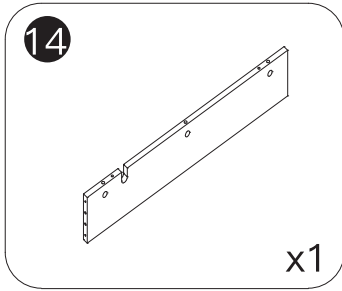


M15x9

x7

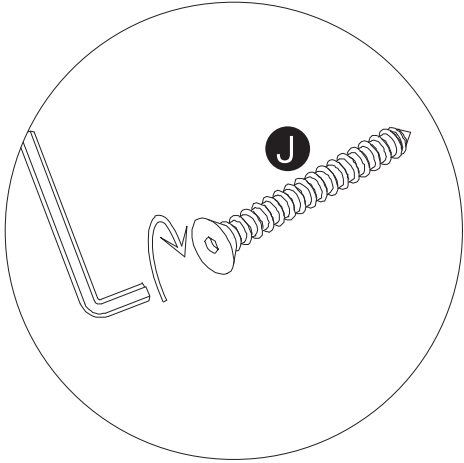


STEP 14



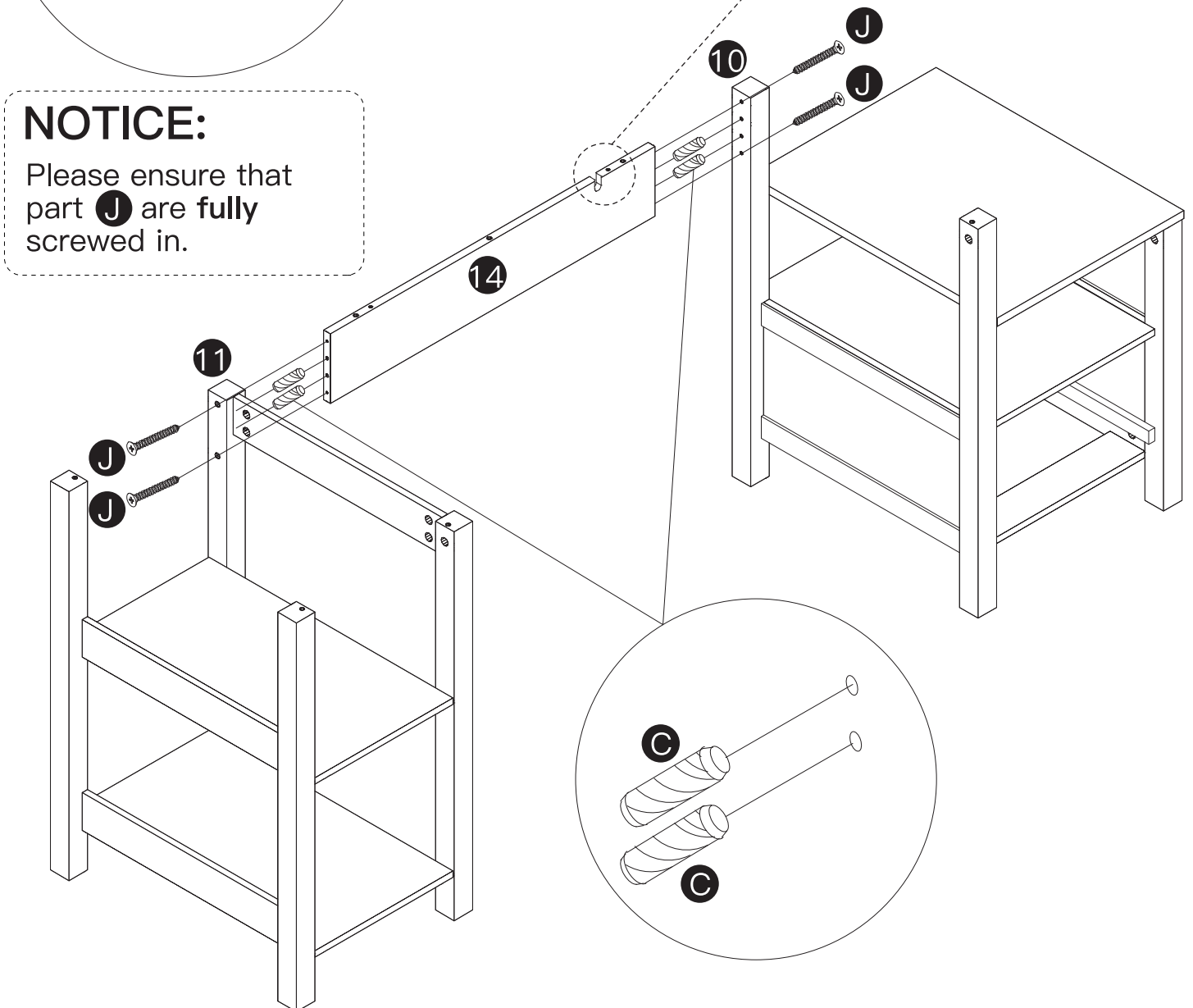
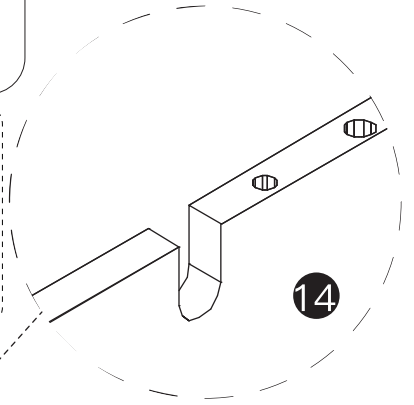
NOTICE:

Install the portion of part 14 in the correct position.

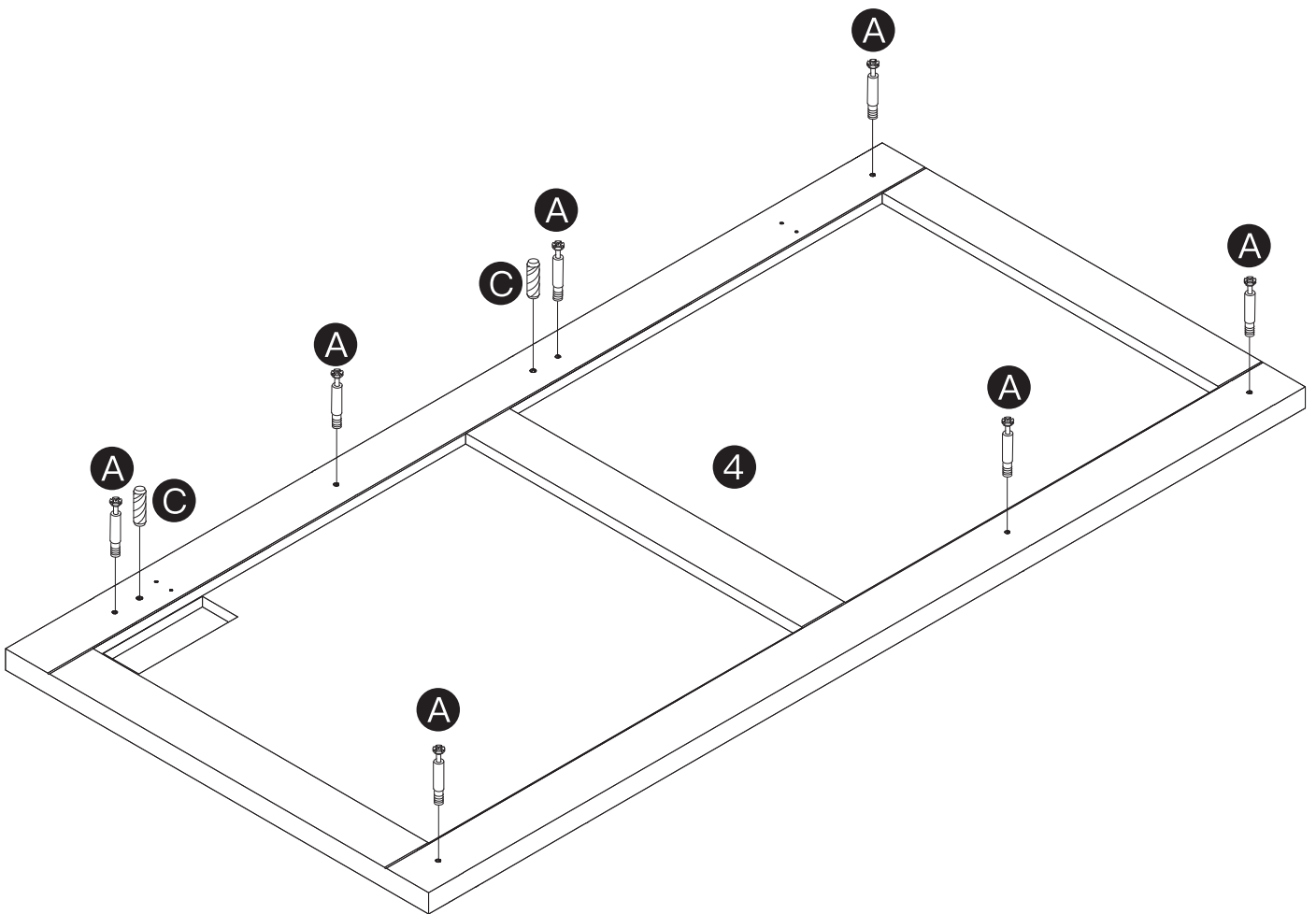
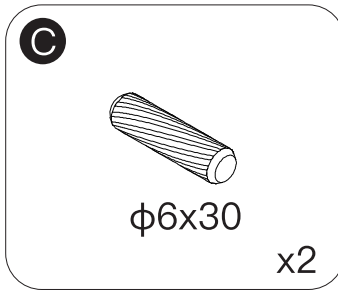
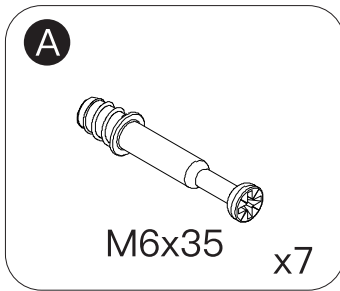
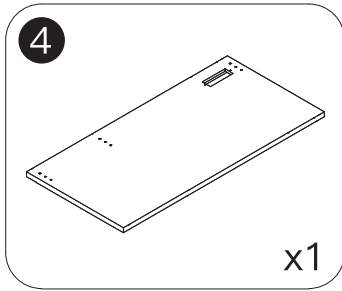


NOTICE:

Please ensure that part J are fully screwed in.

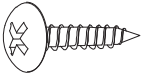


STEP 15



STEP 16

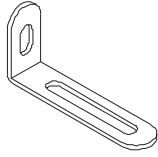
P



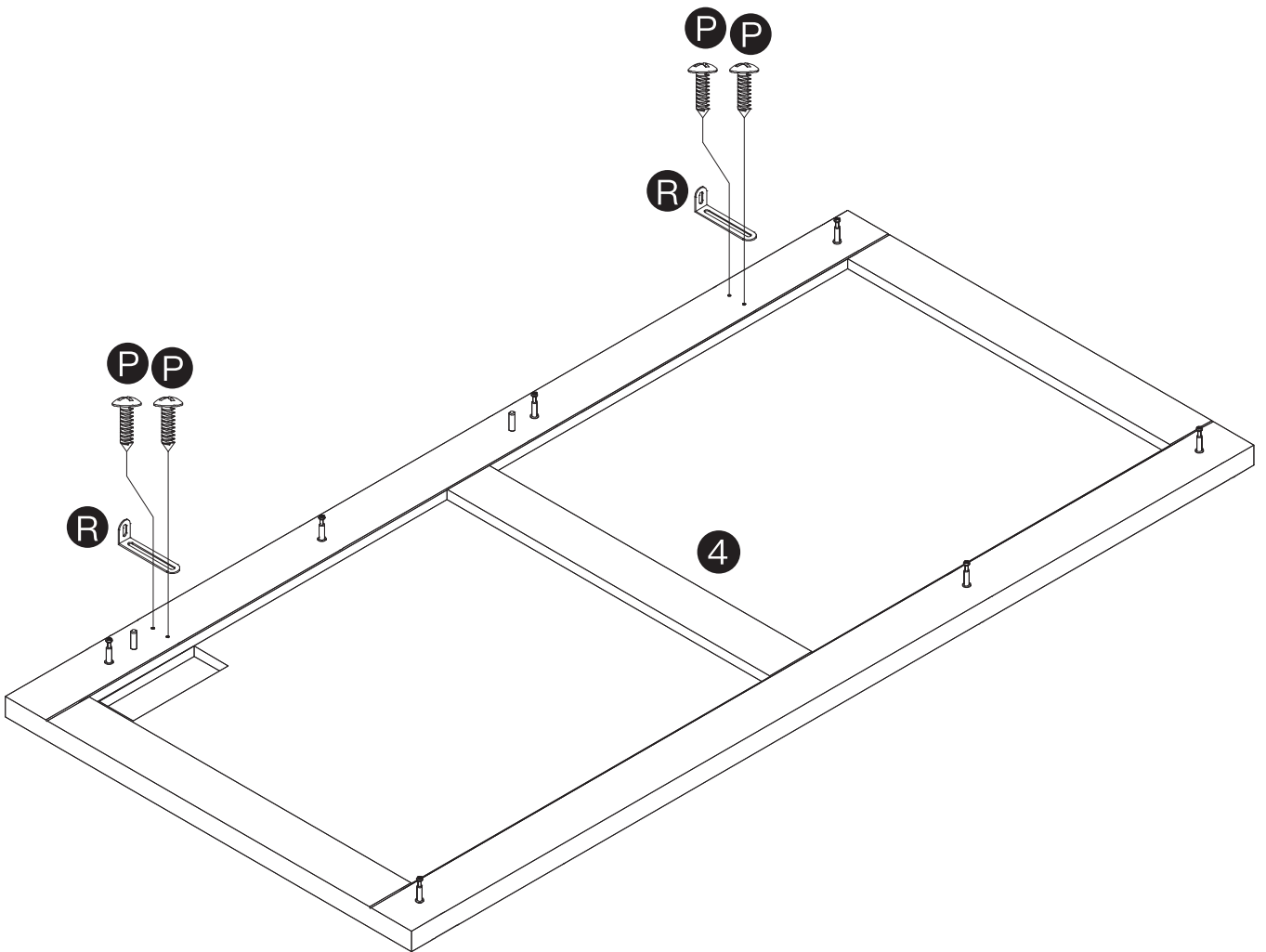
M3.5x14

x4

R



x2



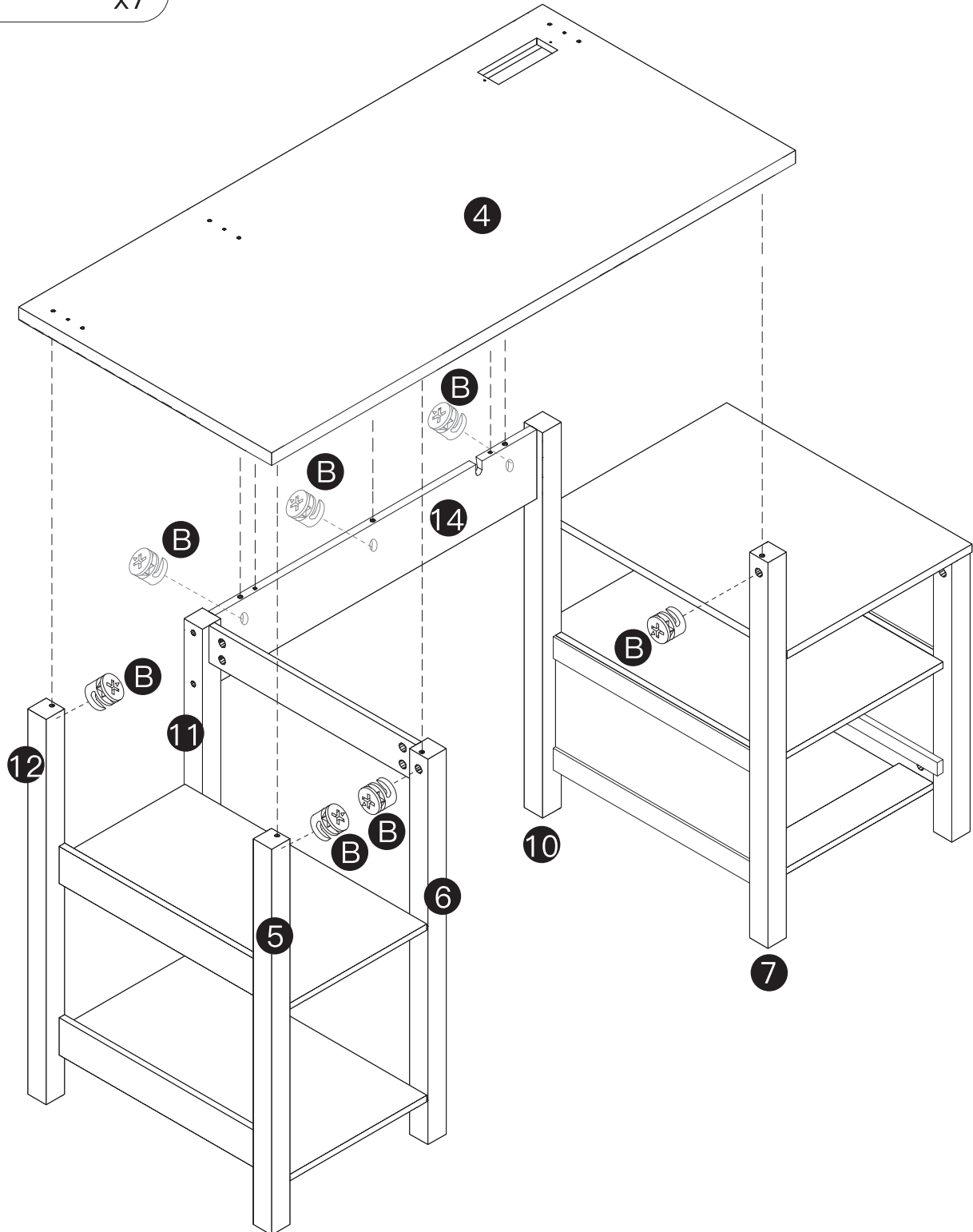
STEP 17

B

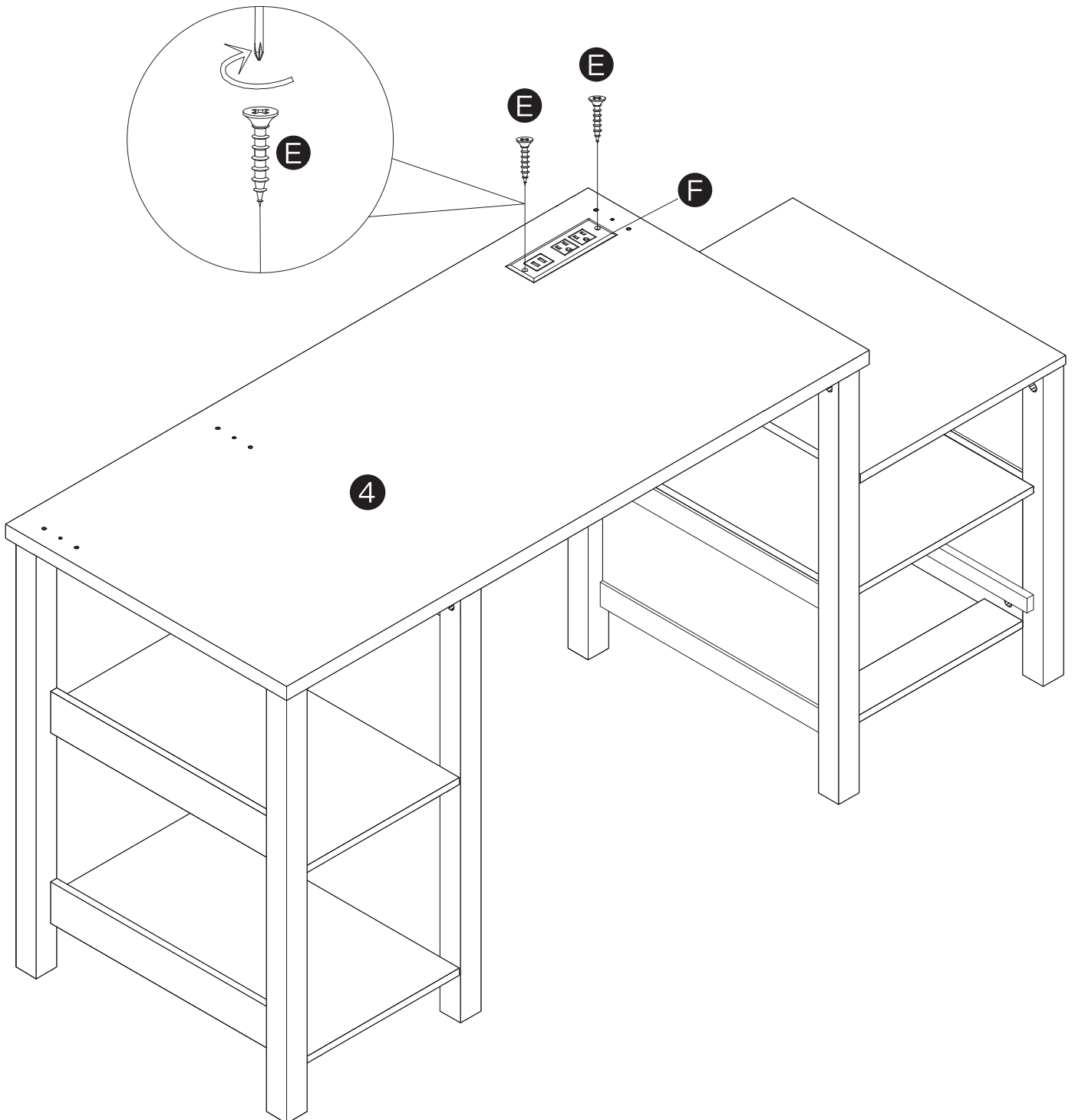
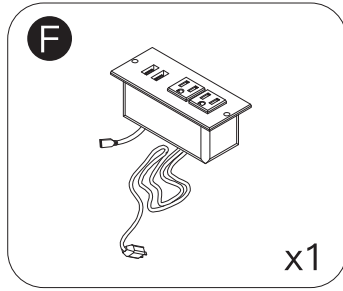
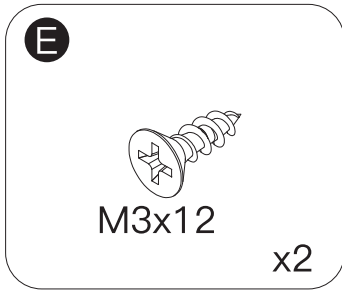


M15x9

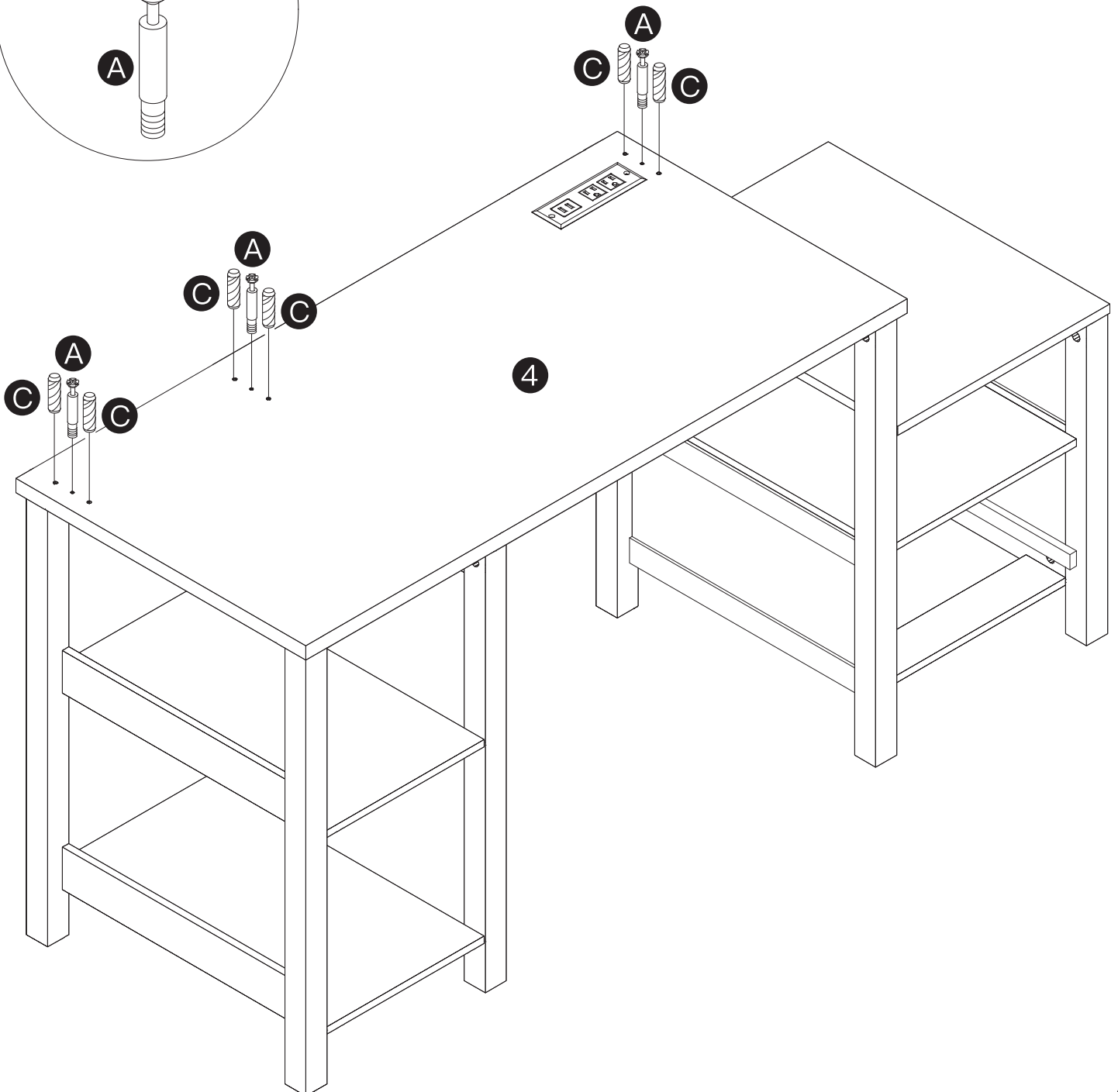
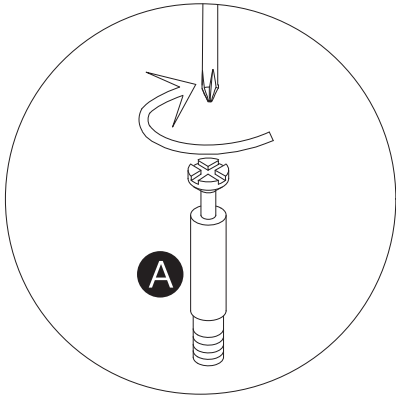
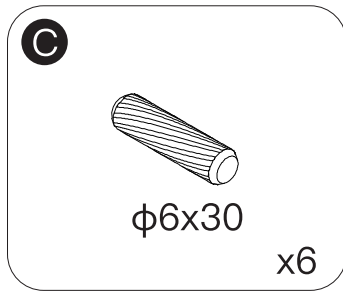
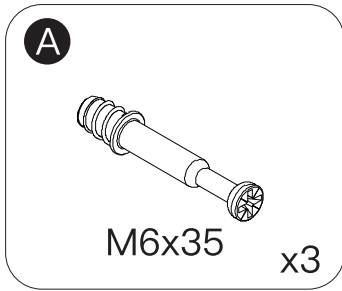
x7



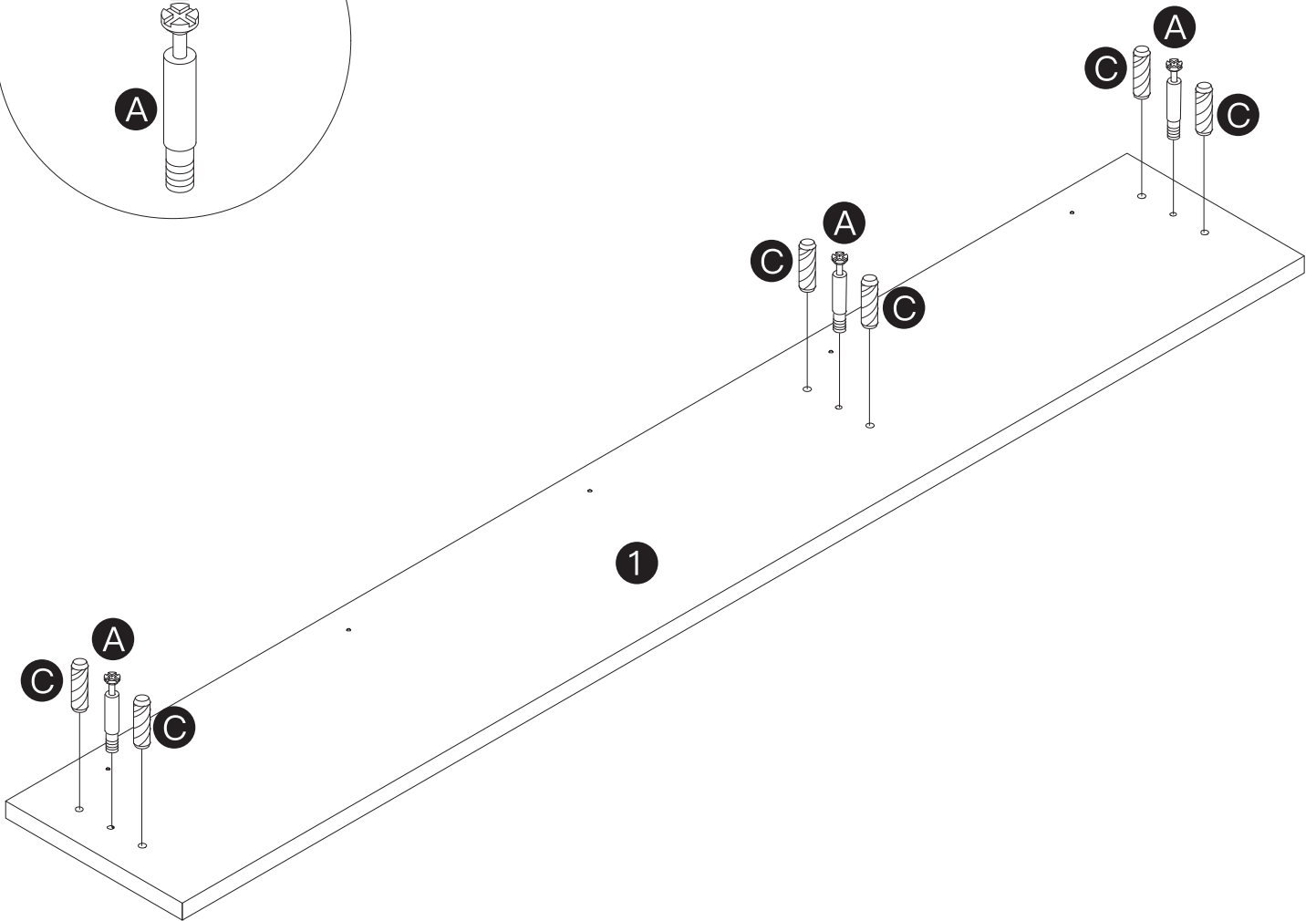
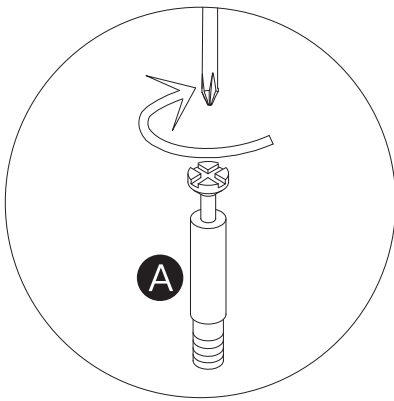
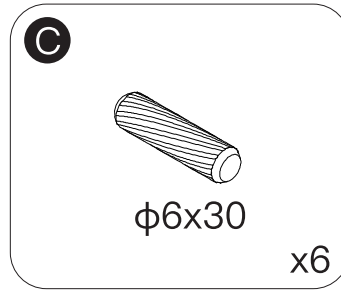
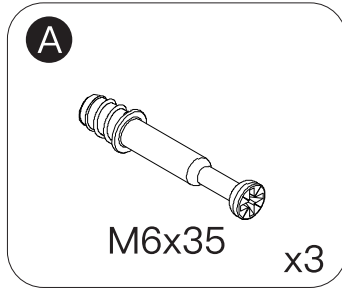
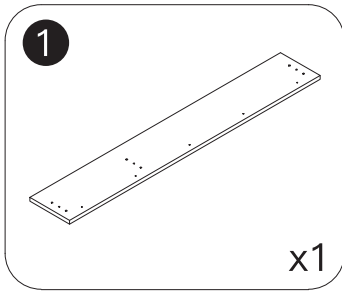
STEP 18



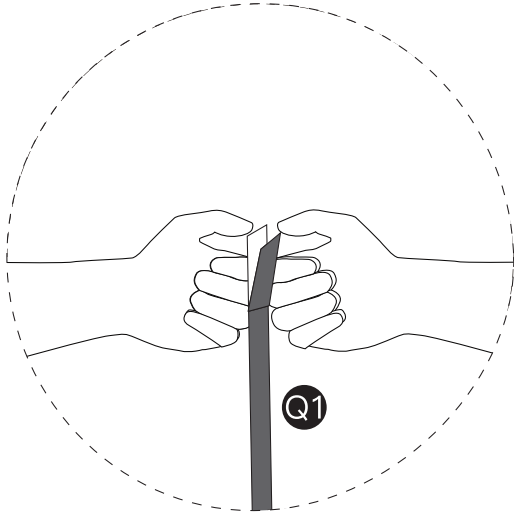
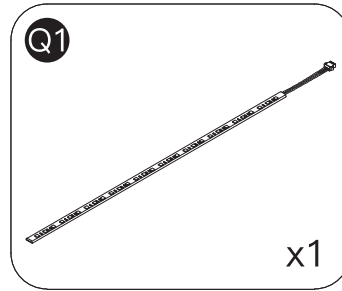
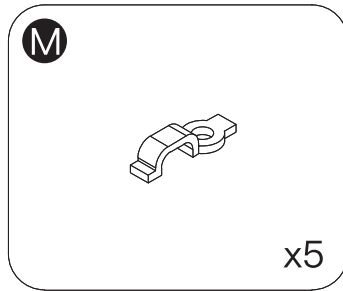
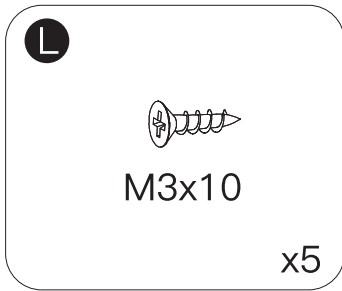
STEP 19



STEP 20

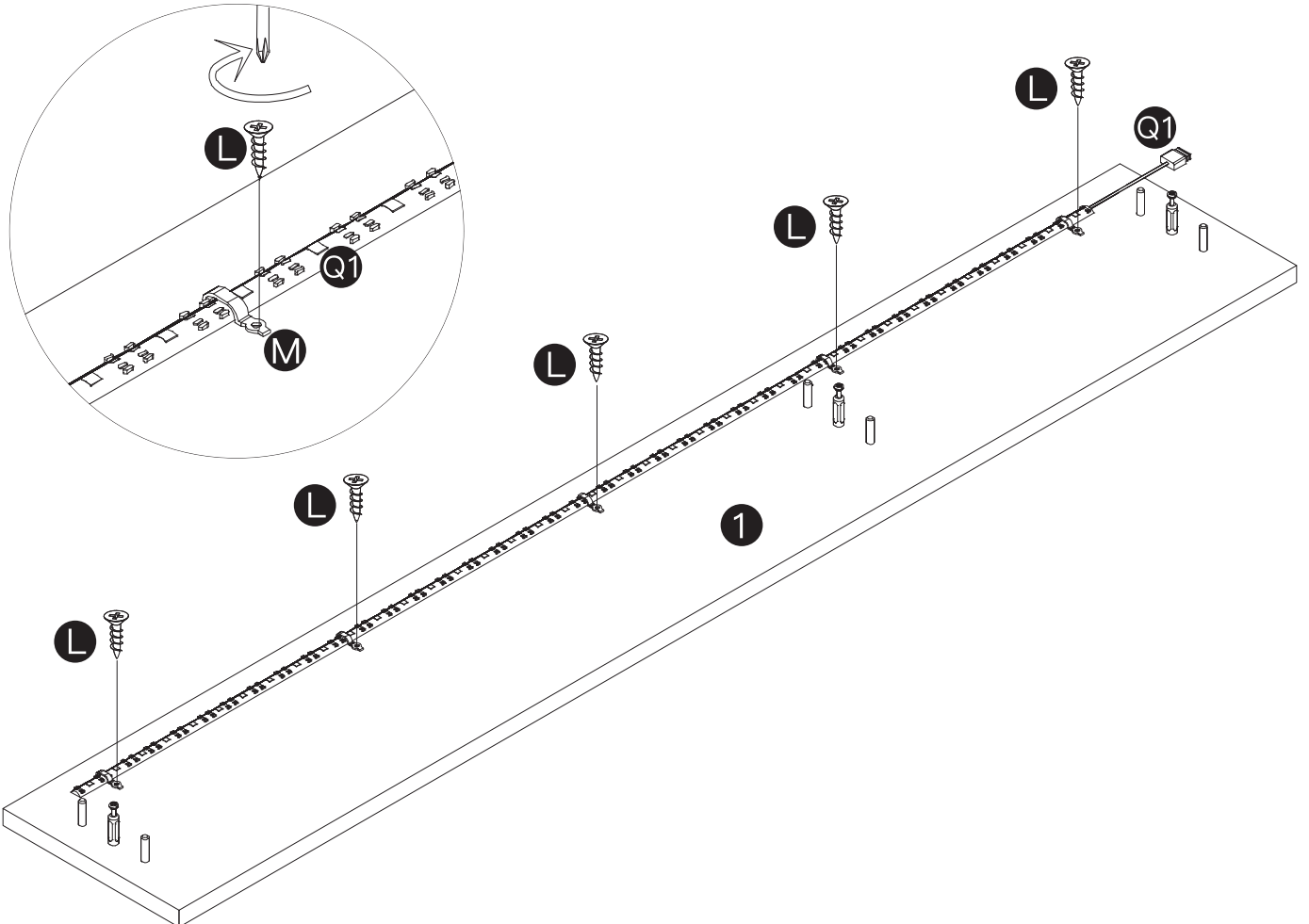


STEP 21

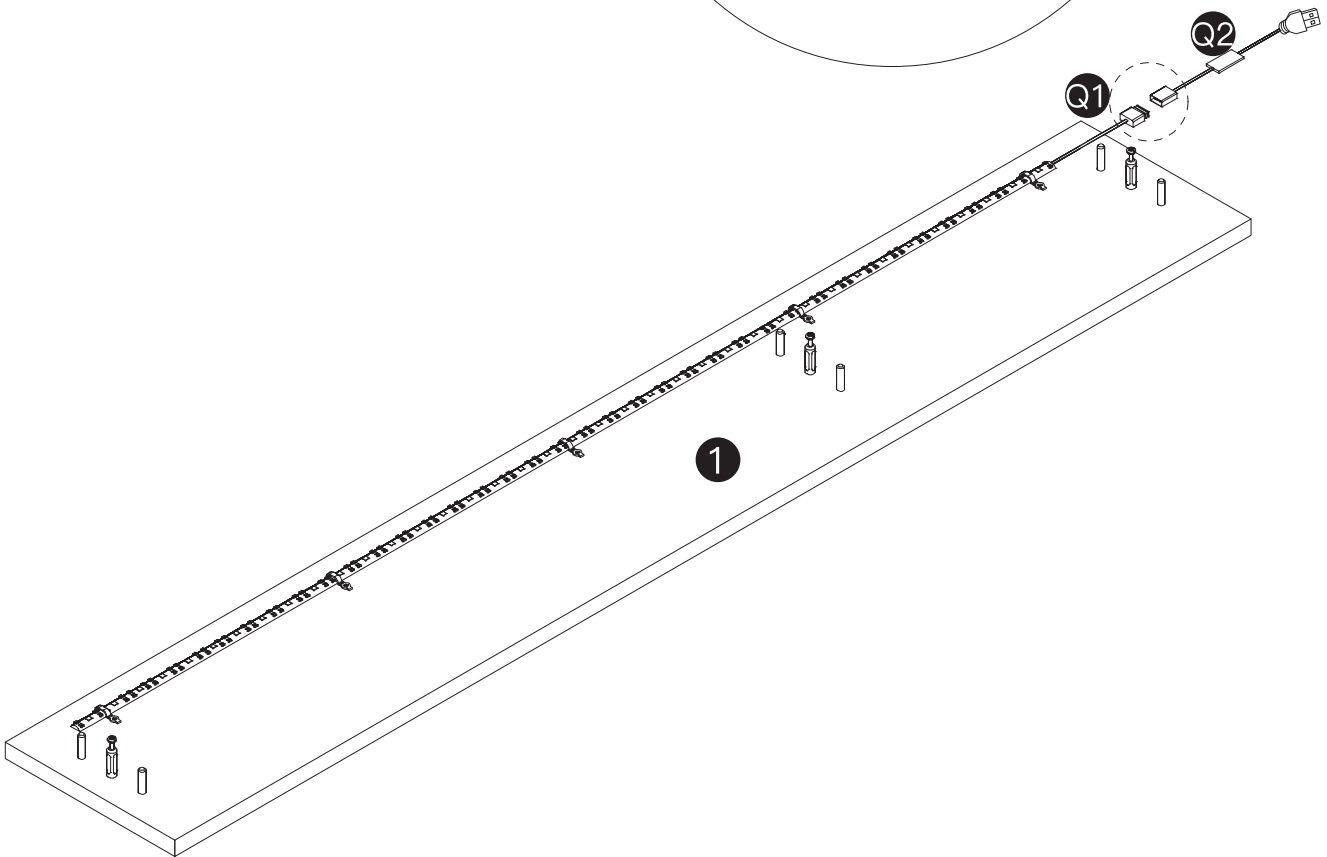
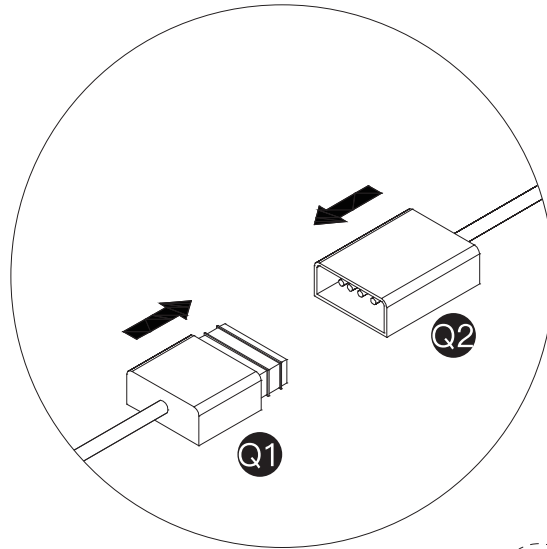
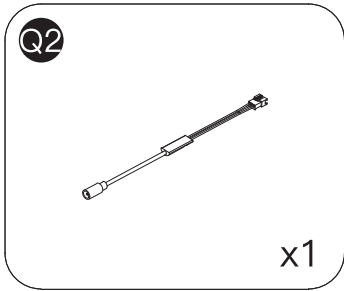


NOTICE:

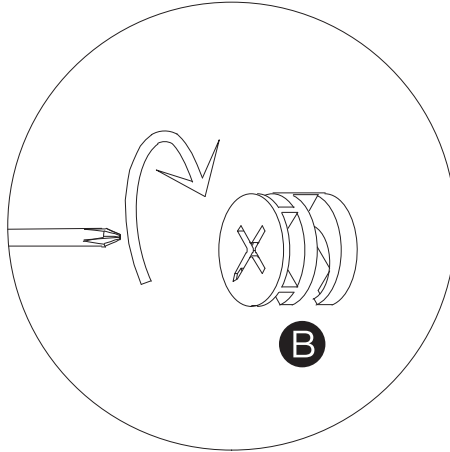
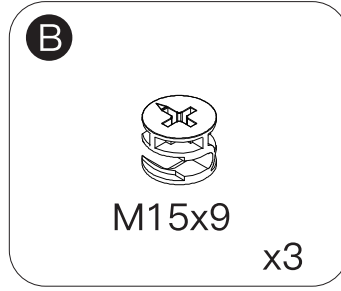
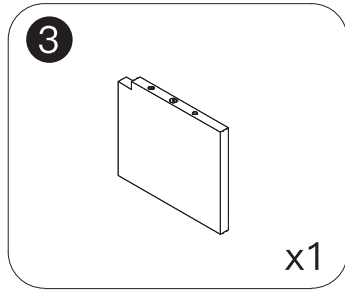
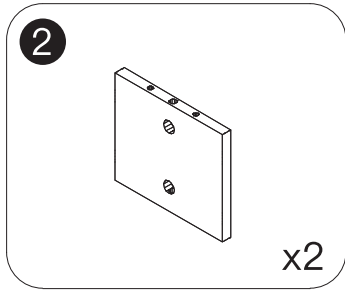
Please remove the tape from the back of part **Q1** firstly.



STEP 22

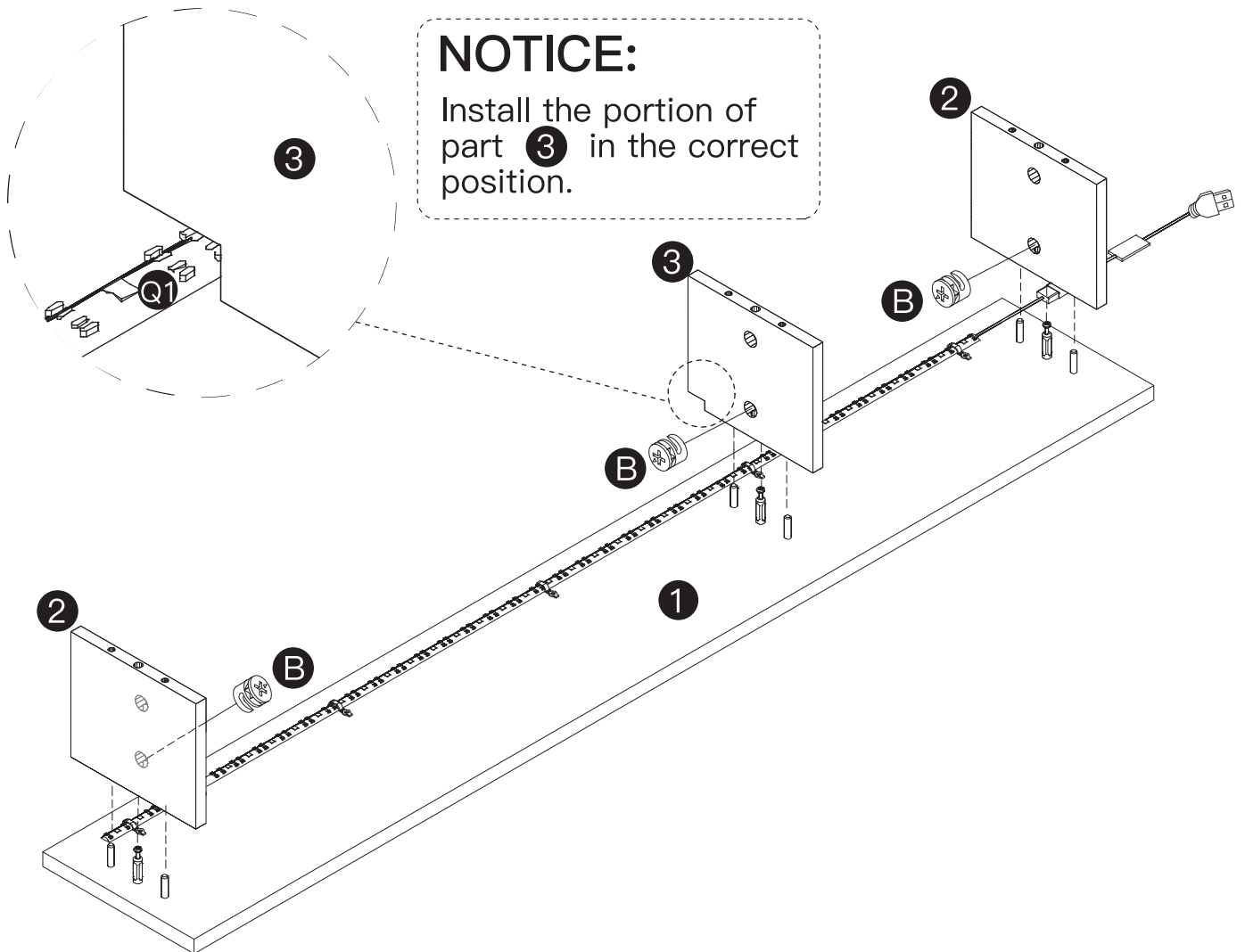


STEP 23

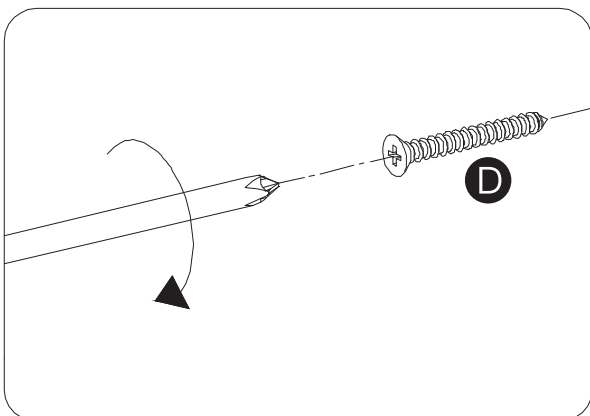
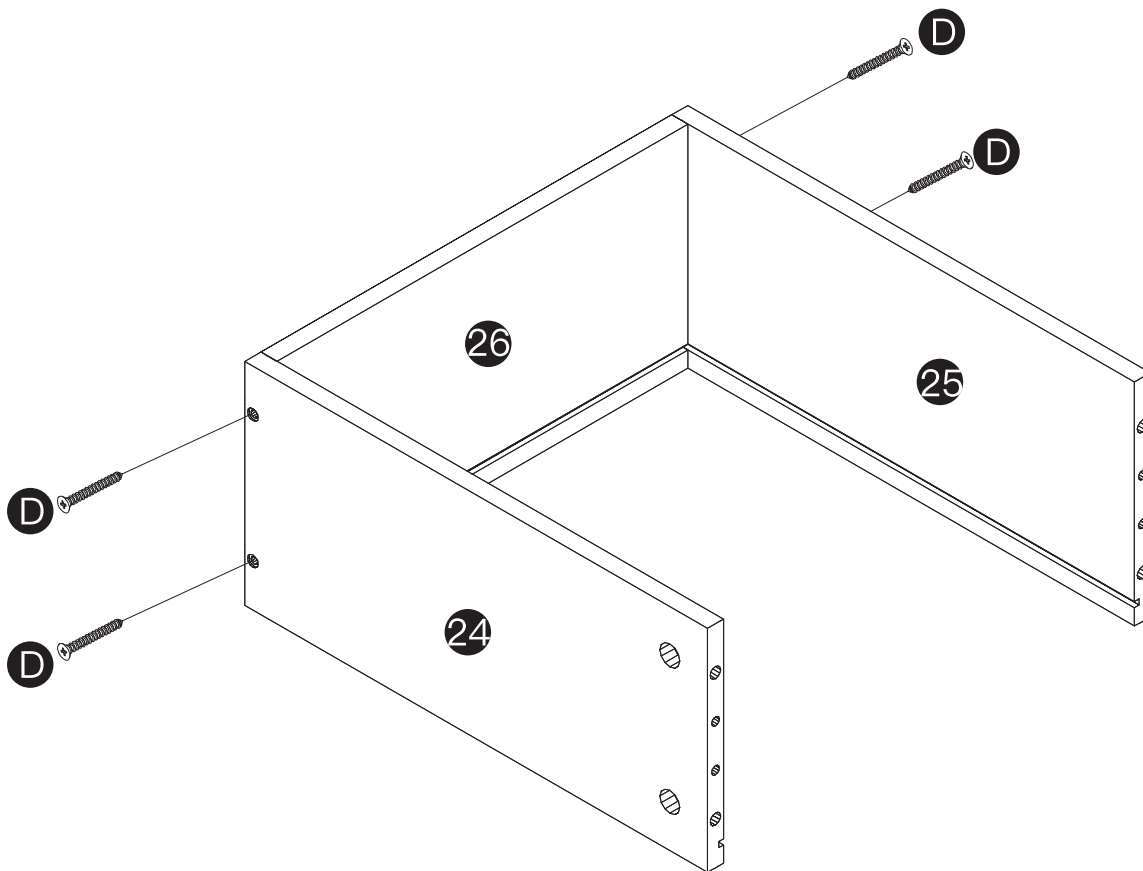
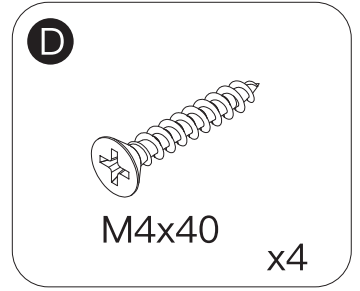
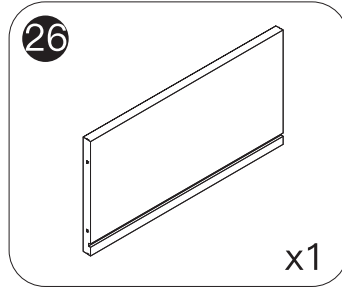
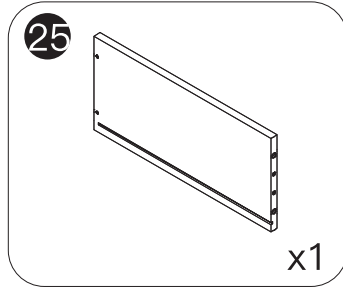
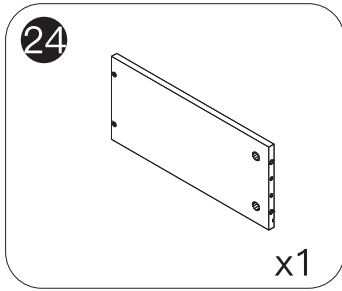


NOTICE:

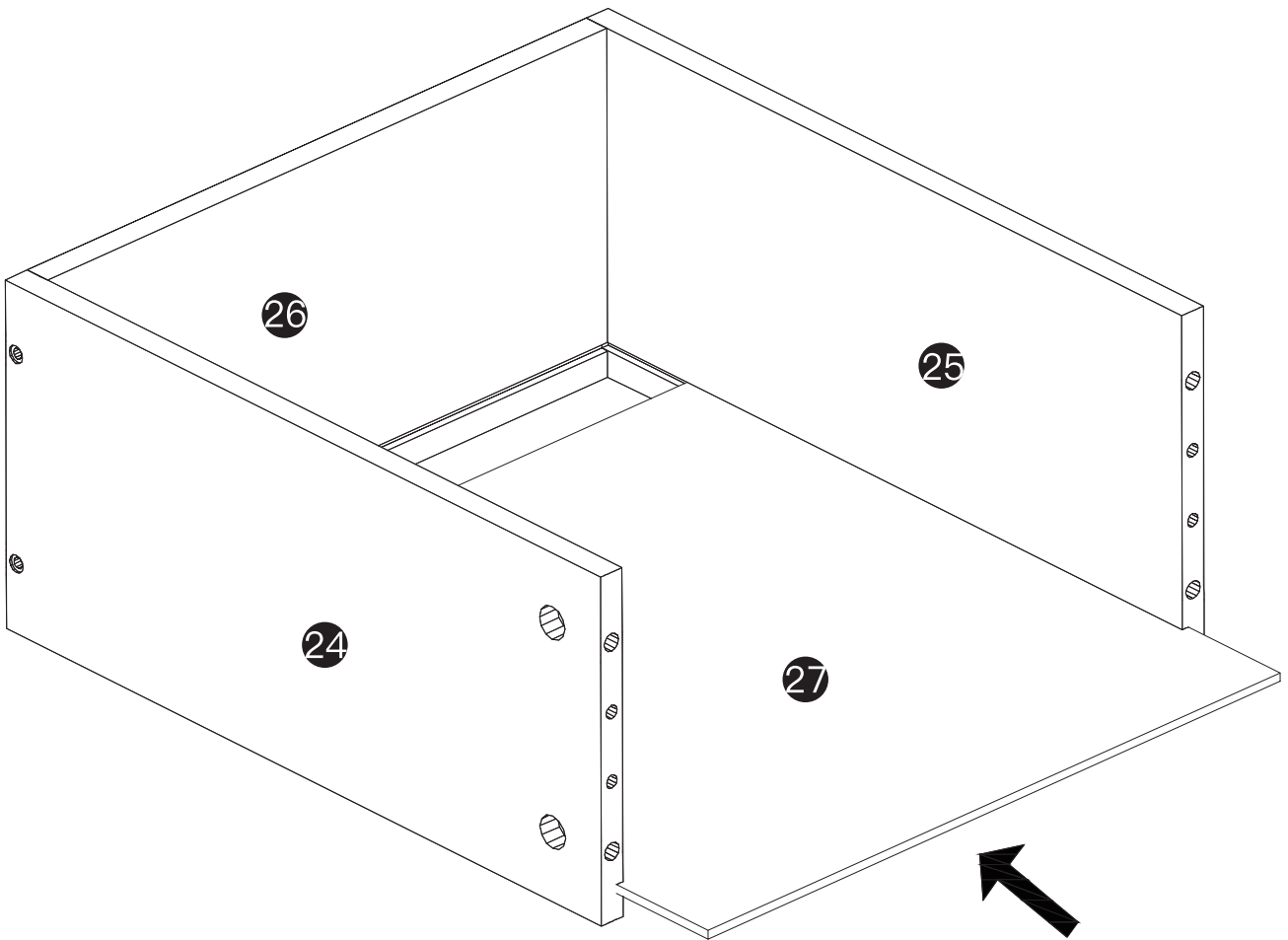
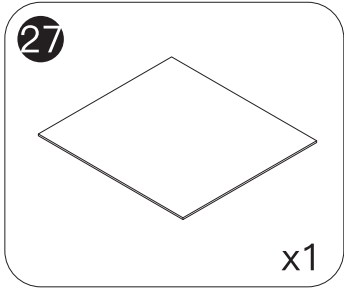
Install the portion of part 3 in the correct position.



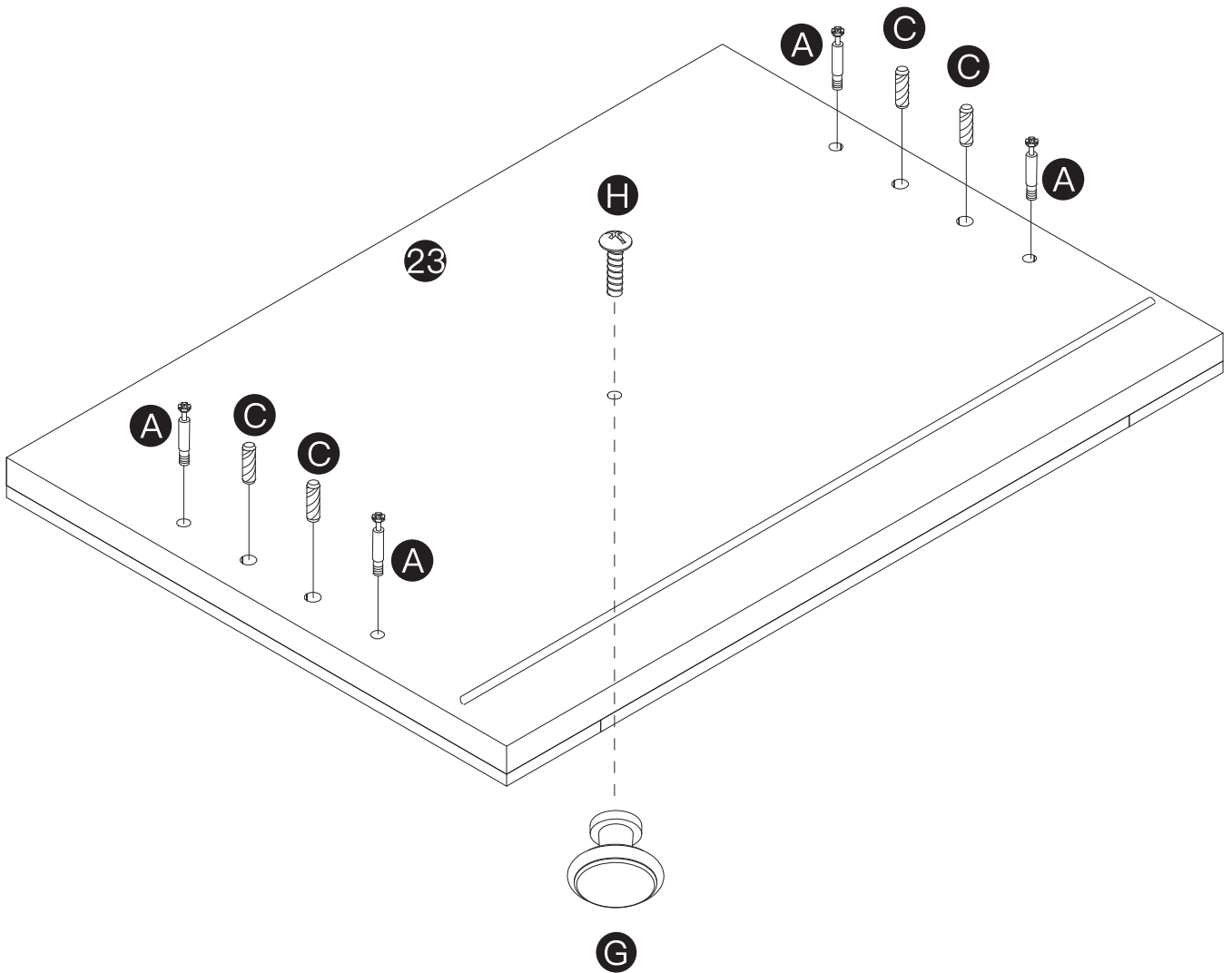
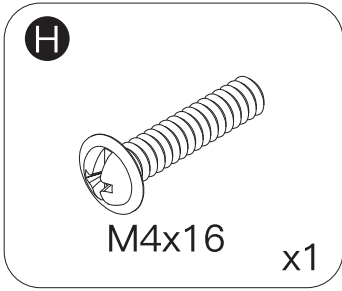
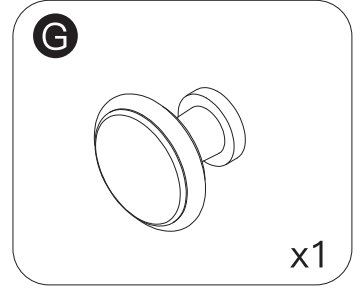
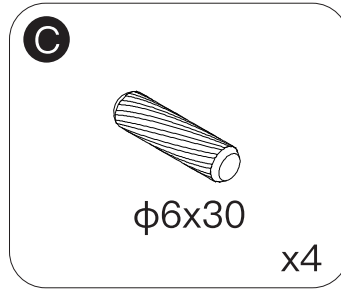
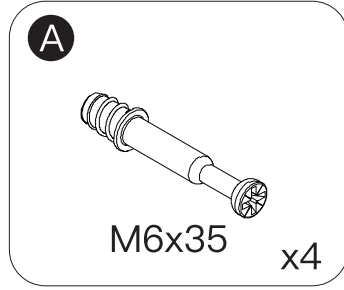
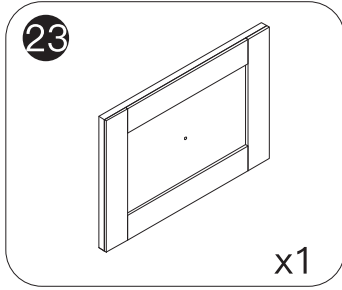
STEP 25



STEP 26



STEP 27



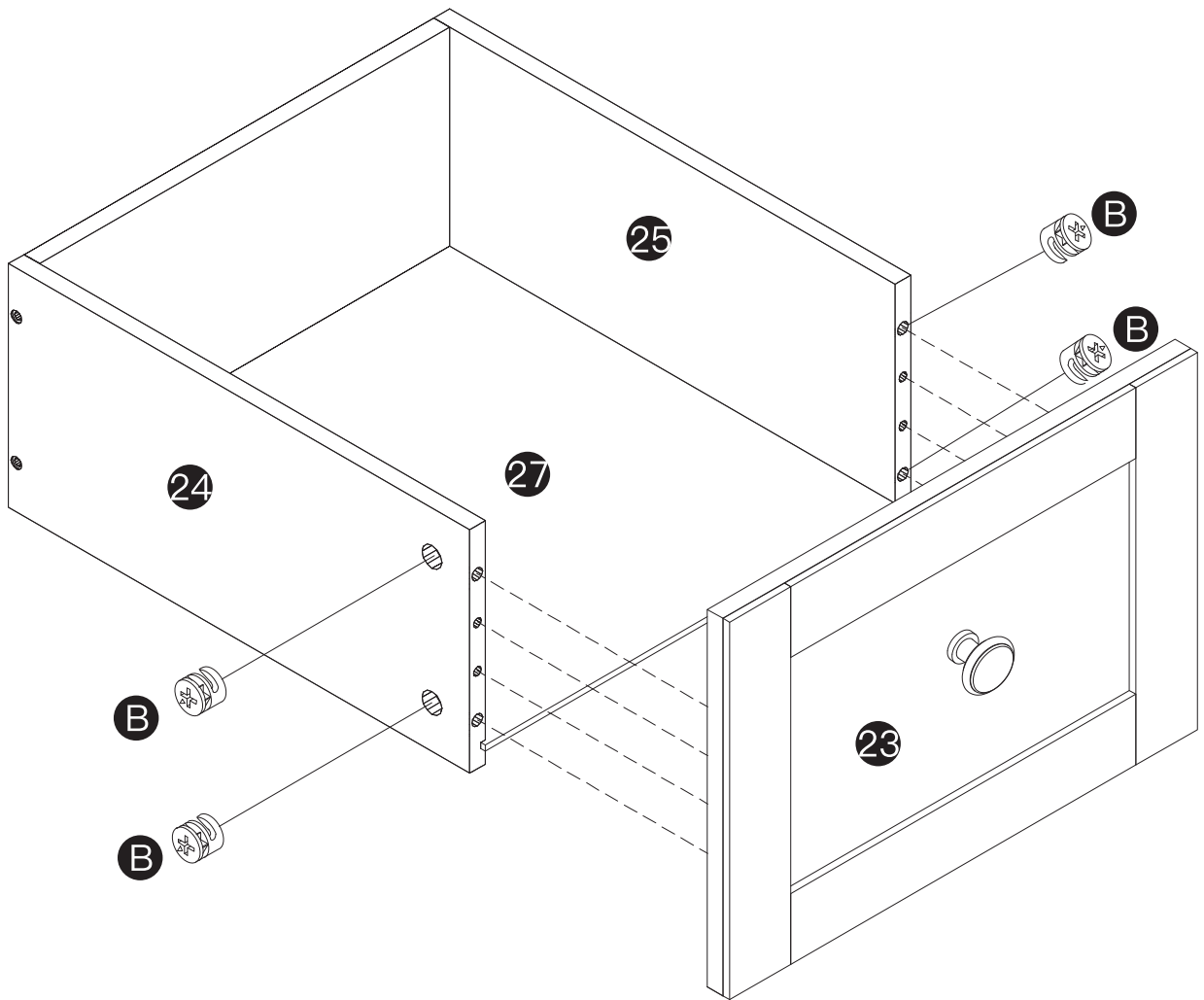
STEP 28

B

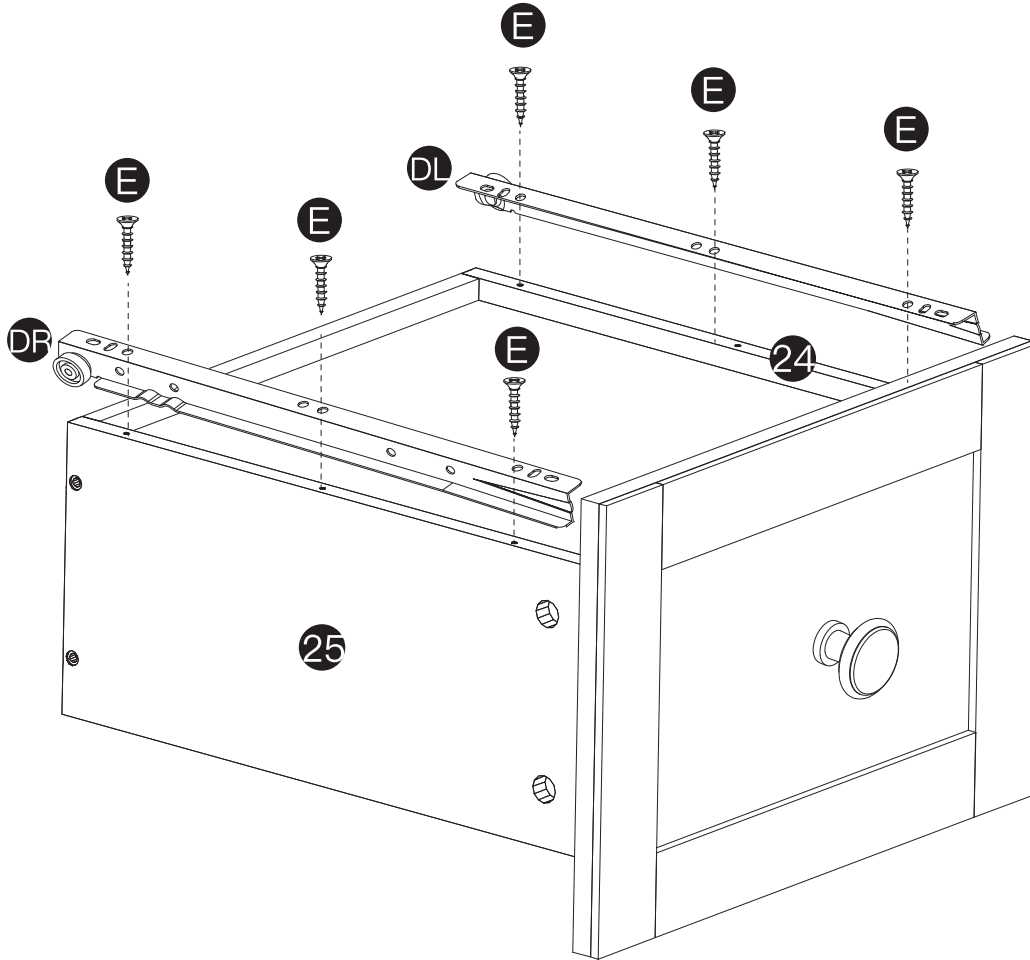
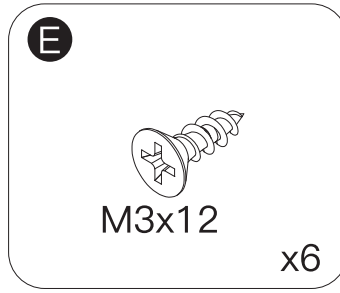
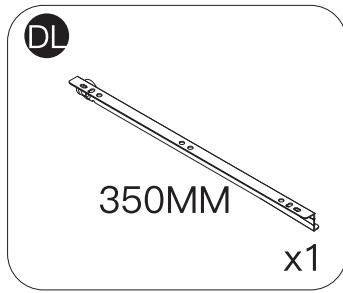
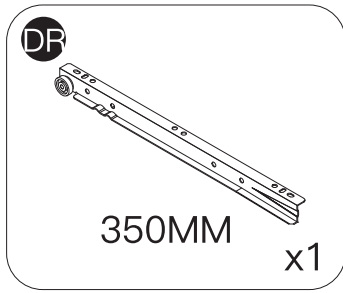


M15x9

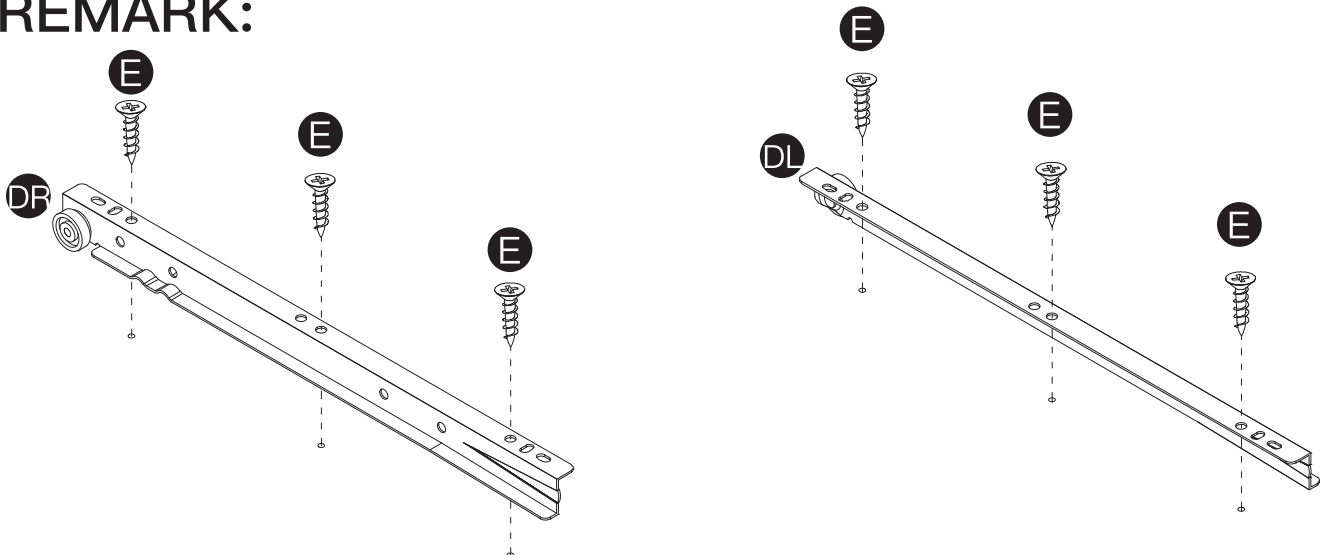
x4



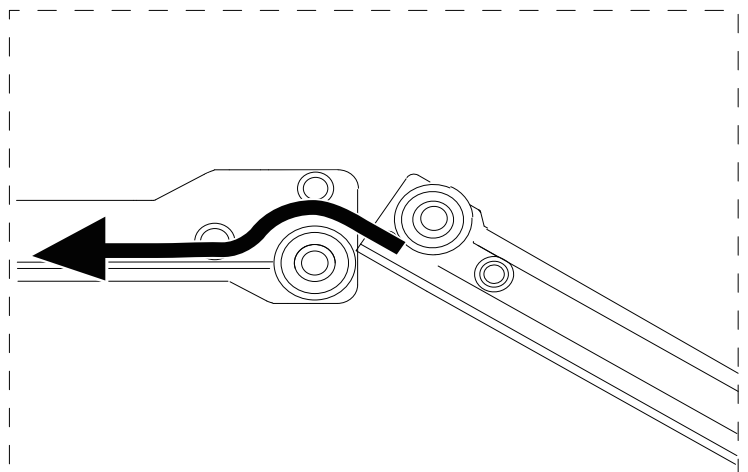
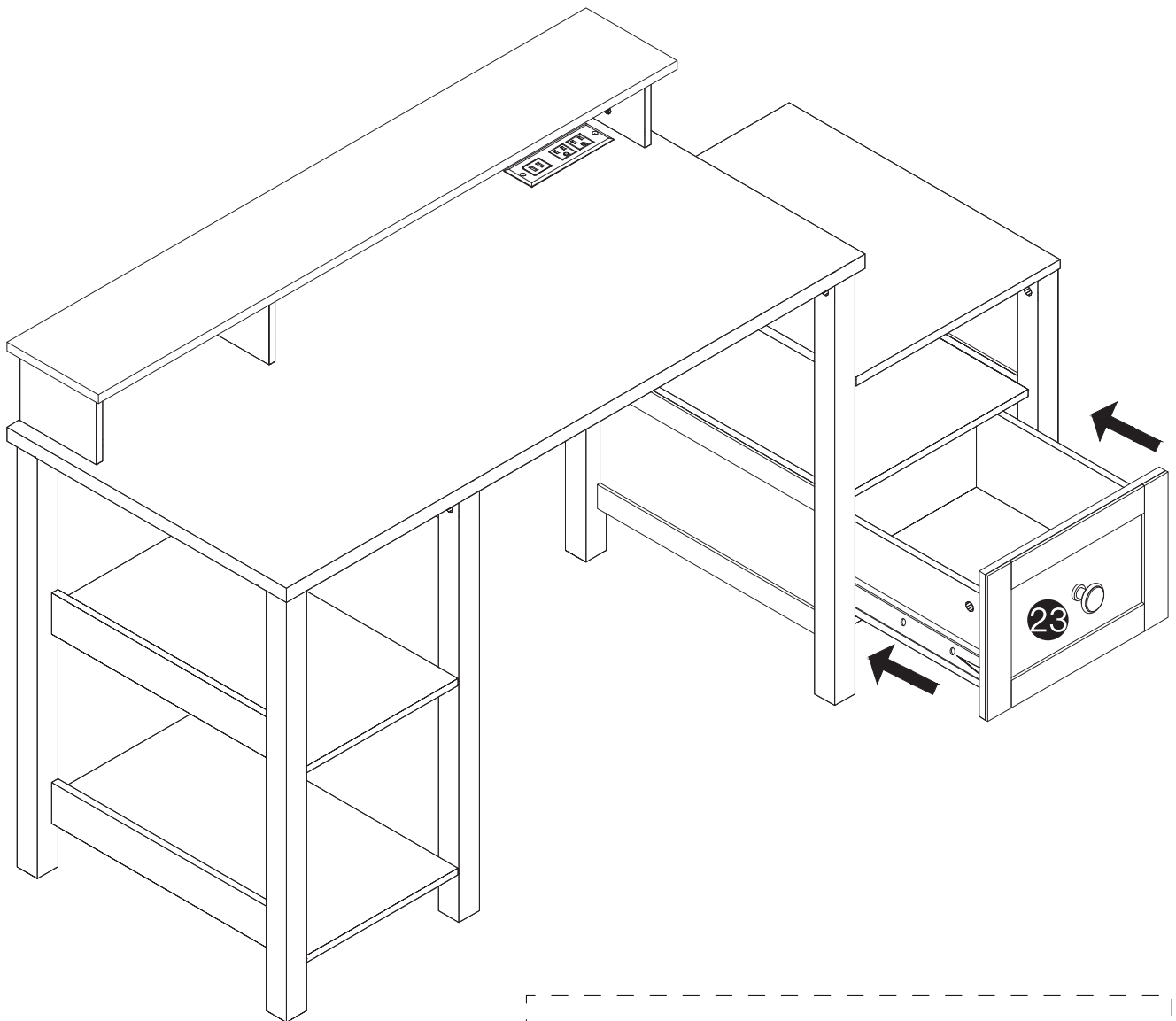
STEP 29



REMARK:



STEP 30



STEP 31

