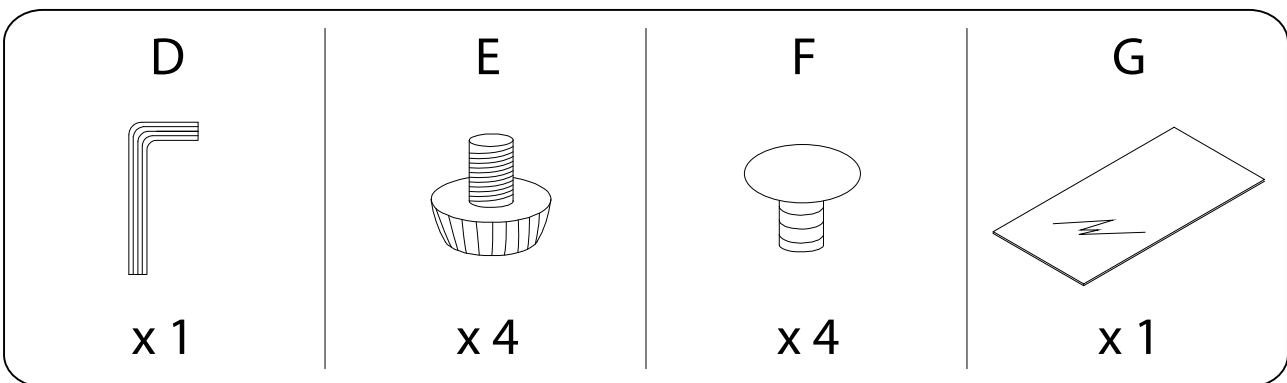
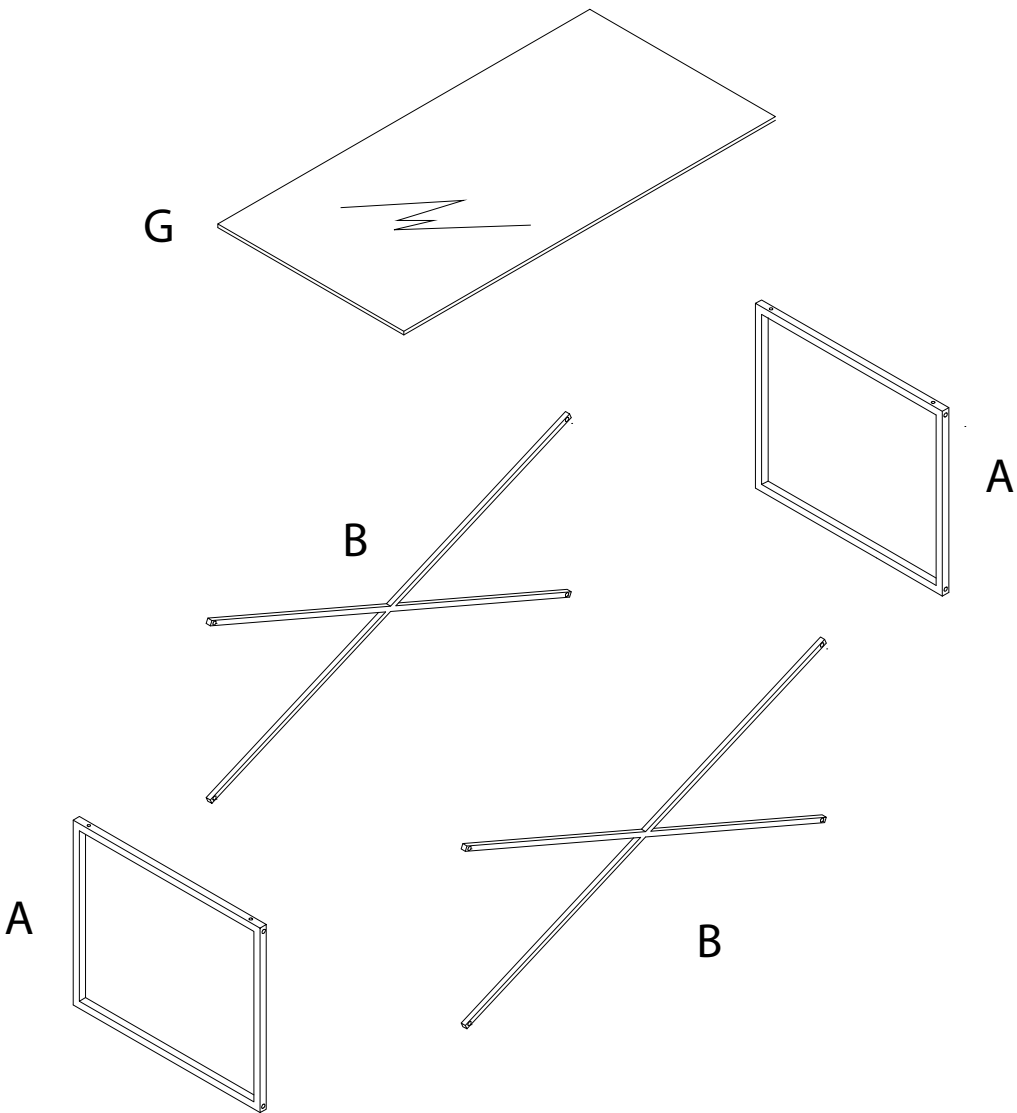
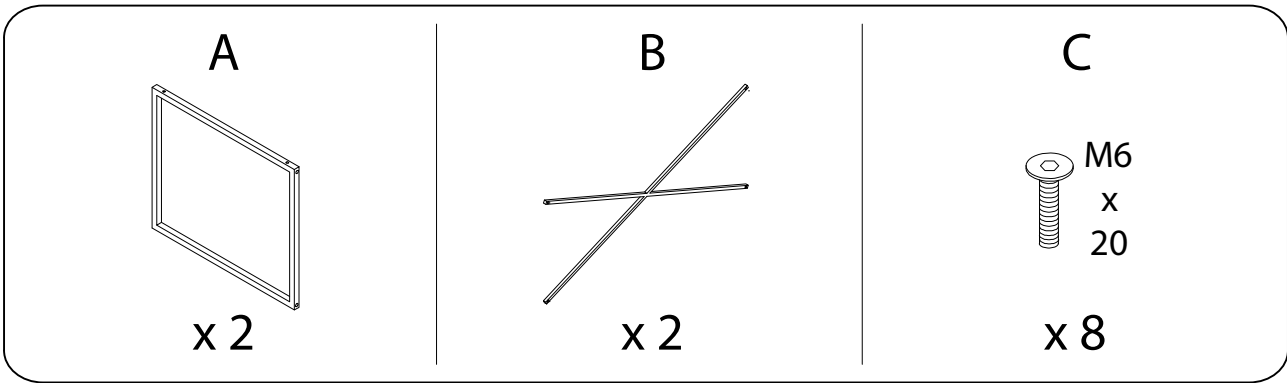
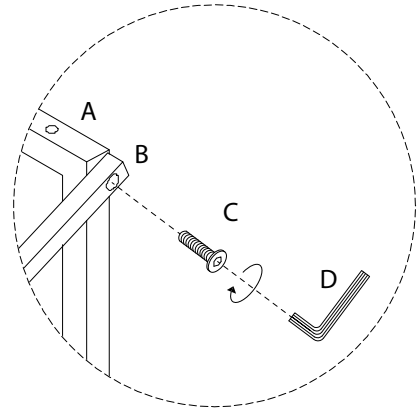
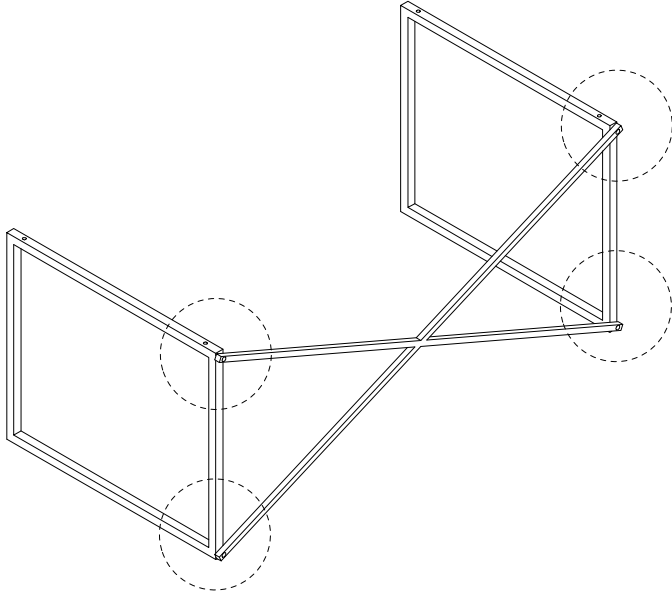
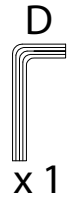
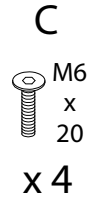
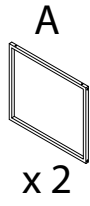


Diagram illustrating assembly steps and safety warnings:

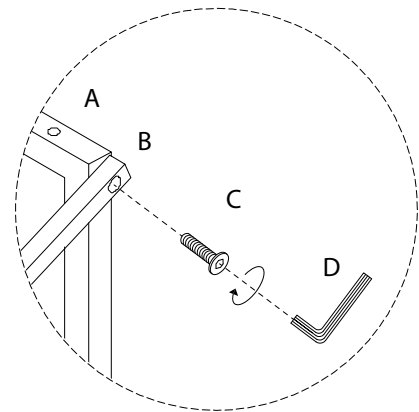
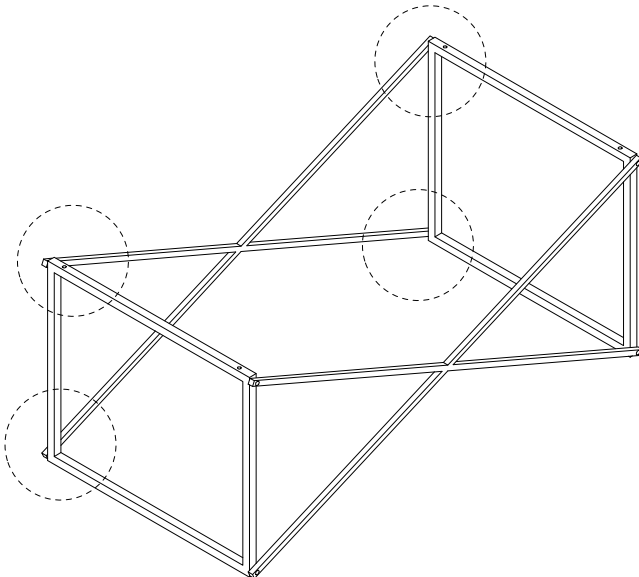
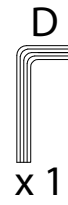
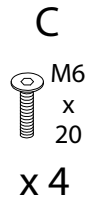
- Step 1:** Shows an L-shaped metal bracket being inserted into a hole in a wooden board. A power drill is shown with a slash through it, indicating that a drill should not be used for this step. A warning triangle with an exclamation mark is positioned to the right.
- Step 2:** Shows a rectangular wooden block being placed on a surface. A power drill is shown with a slash through it, indicating that a drill should not be used for this step. A warning triangle with an exclamation mark is positioned to the right.
- Time:** A clock icon indicates a duration of 30 minutes.
- Personnel:** A person icon indicates that 1 person is required for the assembly.



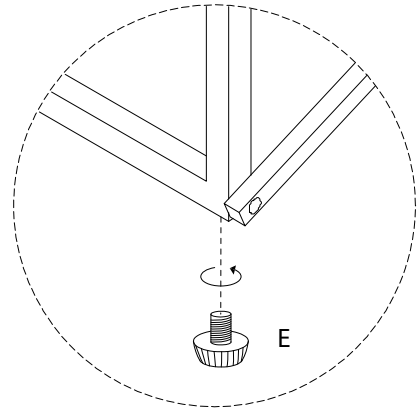
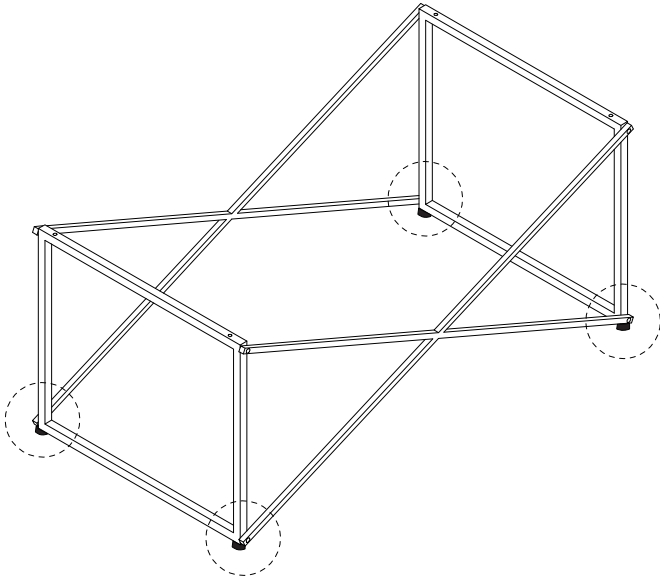
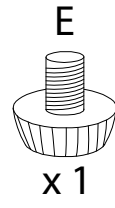
1



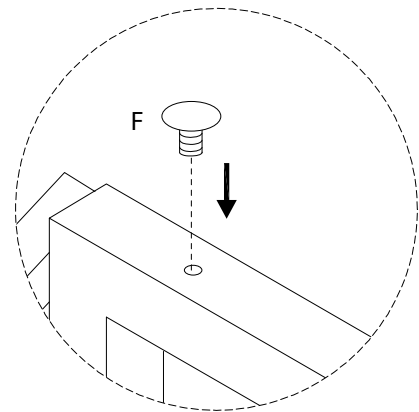
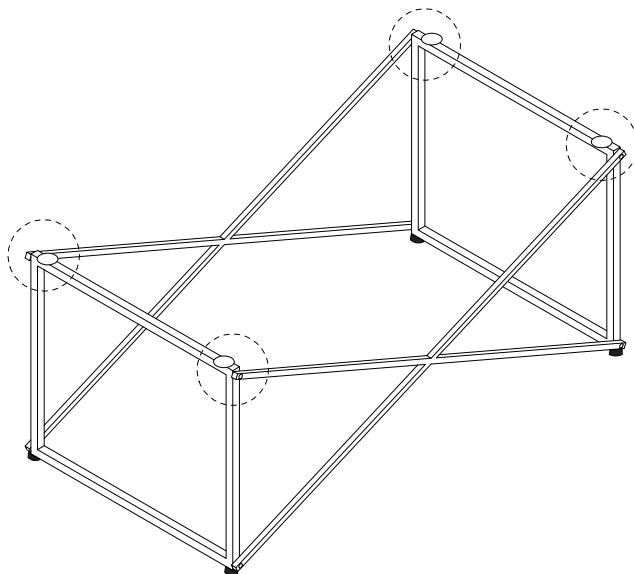
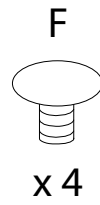
2



3



4



5

