

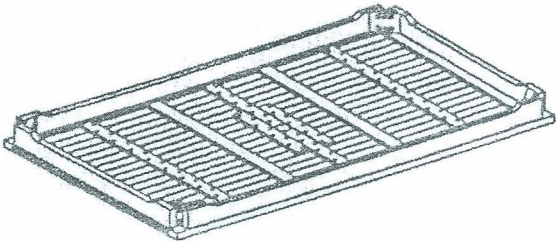
ASSEMBLY INSTRUCTIONS FOR RECTANGLE TABLE

STOP! PLEASE READ FIRST

Thank you for purchasing this item.




Please verify all the hardware and components are included as you unpack the carton. Place the items in a safe area to avoid loss and damaging contents. Use a soft area or use the empty box to assemble the items.

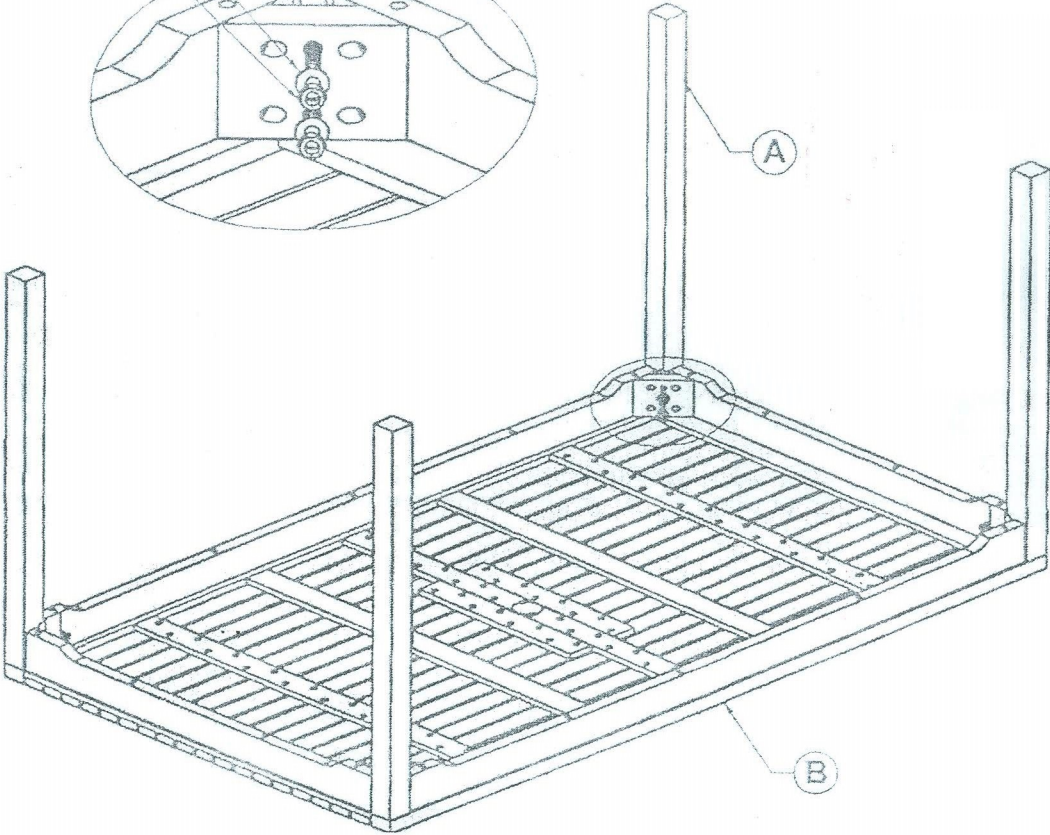
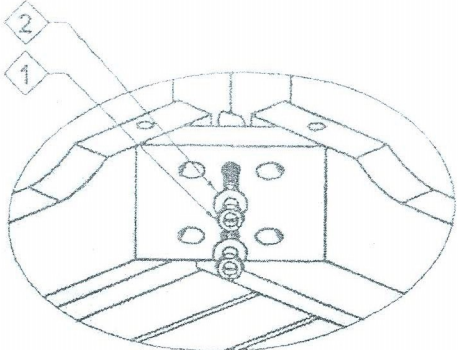
ASSEMBLY TIPS: Assemble upside down with the table top facing down. Never over-tighten any screws or bolts. It's best to assemble with 2 people.



Cx1

LIST OF HARDWARE

NO.	HARDWARE	QTY.
1	Hex Nut 5*8*13  	08
2	Washer Ø18xØ8x1mm 	08



PLEASE NOTE:
NUT & WASHER ARE ALREADY AFFIXED OVER ALL (4) BOLTS AND TABLE LEGS