

INSTALLATION

Product Manual

Version: 460092US-01-25A-SE

Firstly, we would like to express our sincerest gratitude to you for choosing our company's products!

Directory

1.Safety precautions	3
2.Name of each component	5
3.Packing list	6
4.Remote control description	6
5.Installation method	10
6 Confirmation before use	12
7.Function adjustment and usage methods	14
8.Install backup battery box	16
9.Instructions for use	17
10.Cleaning and maintenance methods	18
11.Fault analysis and troubleshooting	21
12.Product specifications	22
13.Product warranty card	23
14.Voice wake-up words and control commands	25

1. Safety precautions

Note: please read all instructions carefully before installing and using the product



It indicates that if the signs here are ignored and operated, it may cause serious injury or death to personnel.



Indicates that if the signs here are ignored and misoperated, it may cause human injury or property damage.



- ◆ The following individuals (children, elderly, patients,...) People with weak skin, those taking sleeping pills, drinkers, extremely fatigued individuals, such as those who have been drinking for a long time. To use, please set the seat temperature to a low level.
- ※ Avoid low-temperature burns caused by prolonged use



- ◆ Please do not disassemble, repair, or modify this product without authorization.

- ※ Easy to cause fire or electric shock, leading to human injury

- ※ Must be repaired by professional personnel



- ◆ Please make sure to connect the ground wire effectively.
- ※ If not properly connected, there is a risk of electric shock and leakage
- ※ If there is no ground wire terminal, please entrust an electrical installation company



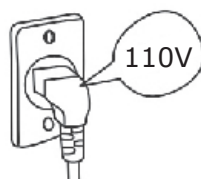
- ◆ Do not touch the power socket with wet hands.

- ※ There is a risk of electric shock



- ◆ Please do not turn on electricity or use it until water is supplied. Use a power source other than 110V AC.

- ※ Easy to cause fire



- ◆ Do not use loose power sockets; Please do not leave scratches, damages, processing modifications, and forced use of the power supply. Bending, stretching, curling and bundling, load-bearing, over Degree squeezing.

- ※ Easy to cause electric shock or fire





◆ Please do not roughly open and close the seat ring and seat cover.

※ Easy to crack or cause leakage faults.



◆ Please do not lie or step on the cover of the toilet.

※ Easy to cause damage, leading to malfunctions.



◆ Please do not pull or bend the connecting water pipe.

※ Easy to cause water leakage or lack of water supply.



◆ The cover, seat ring, and seat cover of the entire machine are made of plastic products. Do not place cigarette butts or other items with ignition sources near these areas.

※ Fire prone.



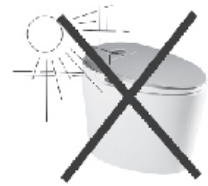
◆ Do not use a dry cloth or toilet paper to wipe the plastic parts of the cover, seat ring, and seat cover of the entire machine.

※ Easy to cause surface scratches.



◆ Please prevent direct sunlight or place the heater or stove near the toilet.

※ Can cause plastic to change color.



◆ In case of lightning, please unplug the power plug.

※ It is easy to cause accidents or malfunctions.



◆ At night when freezing may occur, to prevent damage caused by freezing, please take anti freezing measures.





◆ When cleaning and maintaining plastic parts, do not use unsuitable cleaning agents (bleach, benzene, paint thinner, cleaning powder, cresol, etc.).

※ Splitting or corrosion of plastic parts.



◆ Please regularly clean the dust on the power plug. When cleaning, unplug the power plug and wipe it with a dry cloth.

※ Poor insulation can cause fires.



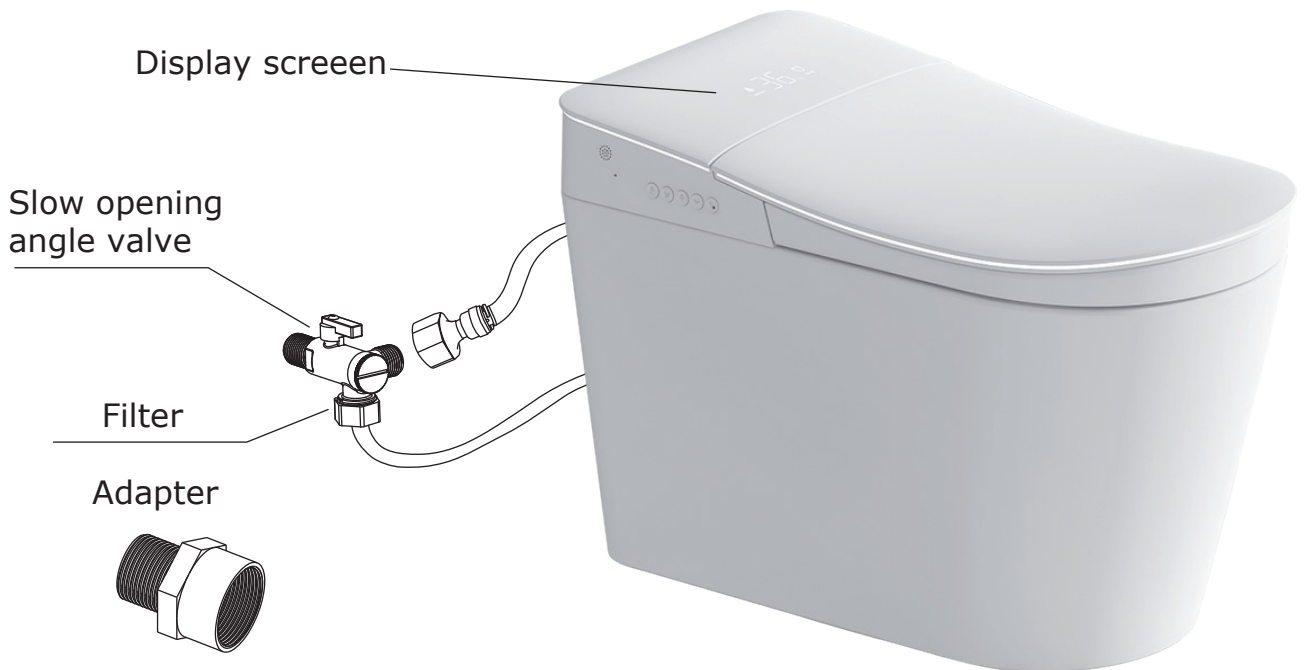
◆ The installation height of the socket should be at least 0.8m above the ground, and it should be kept as far away as possible from places that are prone to water splashing.



◆ Do not connect this product to a water source other than tap water (ensure the cleanliness of the water source)

※ May cause skin inflammation, or electric shock or fire due to internal mechanical corrosion.

2.Name of each component



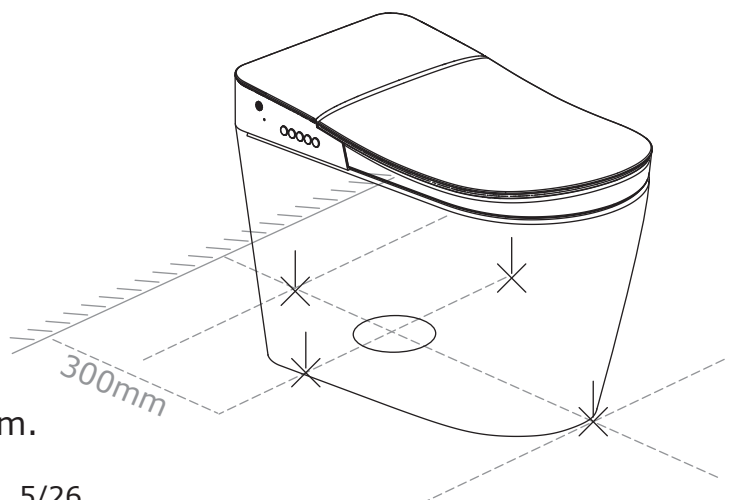
Convert threads of different specifications

1/26 NPT to 3/8 NPT

Product size:

710 x 400 x 490 mm

The distance between the center pit of the sewage outlet and 300mm.



3.Packing list

Serial Number	Name	Quantity	Remarks
1	Complete machine	1	
2	Slow opening angle valve	1	
3	User manual	1	
4	Remote control	1	
5	Flange ring	1	

4.Remote control description

Please use the remote control corresponding to the purchased product

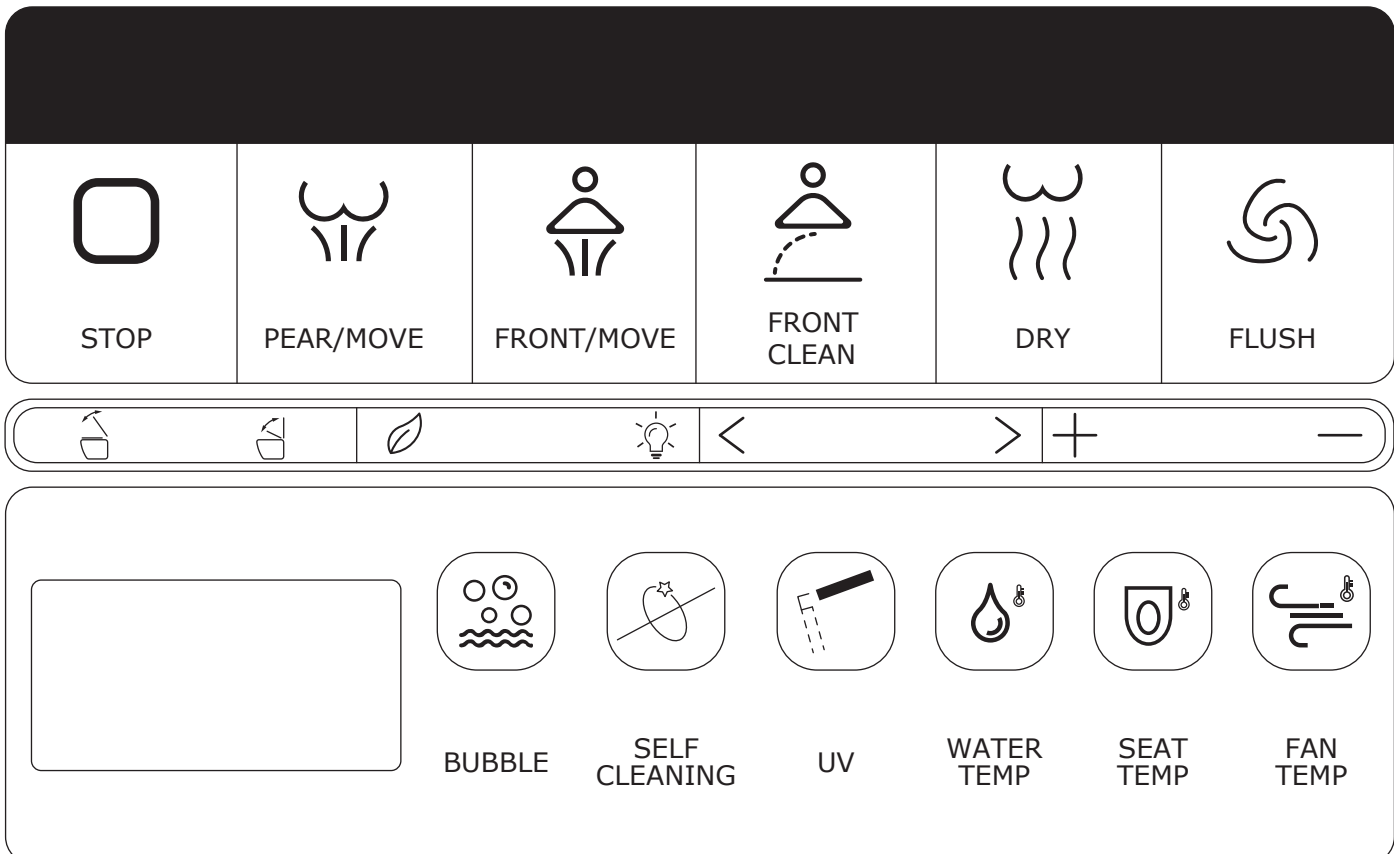
Remote control code matching method: unplug the power, turn on the device, and ensure that the toilet is in standby mode without being seated.

Long rotate the side knob to the hip washing direction for 3 seconds and release it when you hear a prompt sound.

Press any button on the remote control within 10 seconds and the code matching can be completed.

If there is no prompt sound, it indicates that the code matching is not successful. Need to operate again.

The address code of any remote control is unique, so the remote control and toilet must be paired once before the remote control can be used.



1. Press and hold the stop button for 3 seconds to turn on/off the toilet power supply
2. Press and hold the hip wash button for 3 seconds to turn on/off the radar function
3. Press and hold the air temperature button for 3 seconds to enter the radar distance adjustment mode.
Press the left button on the nozzle to lower the gear (press to lower one gear, press the right button on the nozzle to increase the gear (press to increase one gear).
Radar distance: 20CM in first gear, 50CM in second gear, 70CM in third gear, 90cm in fourth gear, and 120CM in fifth gear.
4. Adjust toilet flushing time: Set flushing time: Press and hold the seat temperature button for 3 seconds to enter the adjustment of flushing time.
The display screen shows 0104 "01", indicating that the flushing time is 4 seconds, and the left and right spray bars can be operated to increase or decrease the number of seconds.
Set flushing time: Press and hold the seat temperature button for 3 seconds, and the display screen shows "0204" 02 ", indicating that the flushing time is 4 seconds, and the left and right spray bars can be operated to increase or decrease the number of seconds.
Set replenishment time: Press and hold the seat temperature button for 3 seconds, and the display screen shows" 0304 "03", indicating that the replenishment time is 4 seconds.
The left and right spray bars can be operated to increase or decrease the number of seconds
5. Adjust the flipping force: Press and hold the flipping button for 3 seconds to enter the mode of adjusting the flipping force of the flipping circle. Then press the hip wash button again to adjust the flipping force: Press the left button of the spray nozzle to reduce the force (press one level to decrease), and press the right button of the spray nozzle to increase the force (press one level to increase).
Attention: During continuous operation, it is necessary to press three more times to upshift or downshift.
6. Adjust the flipping force: Press and hold the flipping button for 3 seconds to enter the mode of adjusting the flipping force.
Then press the washing button again to adjust the flipping force: Press the left button of the spray nozzle to reduce the force (press one level to decrease), and press the right button of the spray rod to increase the force (press one level to increase).
Attention: During continuous operation, it is necessary to press three more times to upshift or downshift.

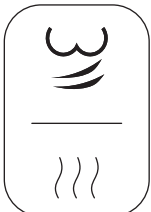
7. Press and hold the large flush button for 3 seconds to turn on/off the off seat flushing function
8. Press and hold the women's washing button for 3 seconds to turn on/off the automatic flushing function of the falling cover.
9. Press and hold the night light button for 3 seconds to turn on/off the energy-saving function.
10. Press and hold the water temperature button for 3 seconds to turn on/off the seat moisturizing function.
Pay attention to feature selection.



Press once to activate the buttocks cleansing function, and the buttocks will be cleansed for 90 seconds.
Press again to activate the reciprocating movement function.

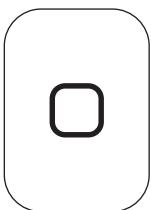


Press once to activate the women's washing function.
After washing the women for 90 seconds, press again to activate the back and forth movement function.

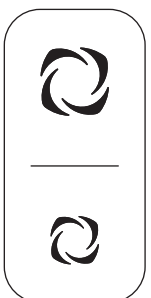


Used for drying after cleaning, with a drying time of 3 minutes.

The cleaning water temperature alternates rhythmically between the high temperature range and the normal temperature range.



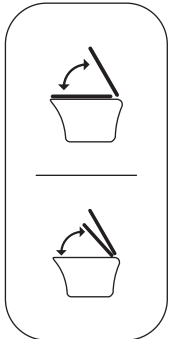
Press this button to stop all executing functions.



When performing the automatic flushing function, the human body must be seated for at least 15 seconds, that is, the human body sensor must sense for at least 15 seconds before leaving the seat, and the toilet will perform the automatic flushing function.
When automatic flushing is not required, press and hold this button for more than 3 seconds to turn off this function.



Move the cleaning nozzle forward.
Cleaning spray rod moves backwards.

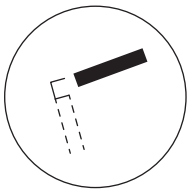


<Standard configuration>:
No automatic flip function, only prompt sound.

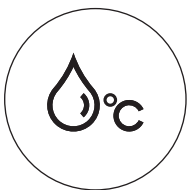
<High end>:
Flip cover, flip circle. First flip, second flip, third close, flush.



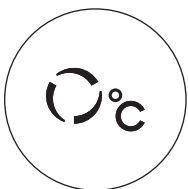
There are four adjustable levels for increasing water pressure.
There are four adjustable levels for water pressure reduction.



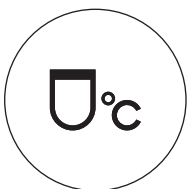
Press and hold to turn the lights on/off.
Press once to turn UV sterilization on/off.



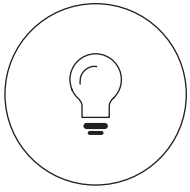
Adjustable for 4th gear.
When the indicator light is not on at room temperature,
it can be pre-set or adjusted in real-time during the cleaning process,
with a memory function.



Adjustable for 4th gear.
When the indicator light is not on at room temperature,
it can be pre-set or adjusted in real-time during the drying process,
with a memory function.



Adjustable for 4th gear. The indicator light does not light up at room temperature, and there is a memory function for the first gear at room temperature, the second gear at 34 ° C, the third gear at 37 ° C, and the fourth gear at 40 ° C.



Press once to turn on the low light, then press again to turn off the low light.

The on/off of the low light has a memory function

Press and hold for 3 seconds to turn on/off the energy-saving mode.

The display screen has corresponding icons that light up, turn on, turn off, and turn on the energy-saving mode. When the machine is not in use, the seat temperature is only 30 degrees Celsius.

When seated, it automatically heats up to the set temperature value.



Self-cleaning

Self-Clean Mode can be activated when the seat is unoccupied.

5. Installation method

1. Confirmation of installation environment

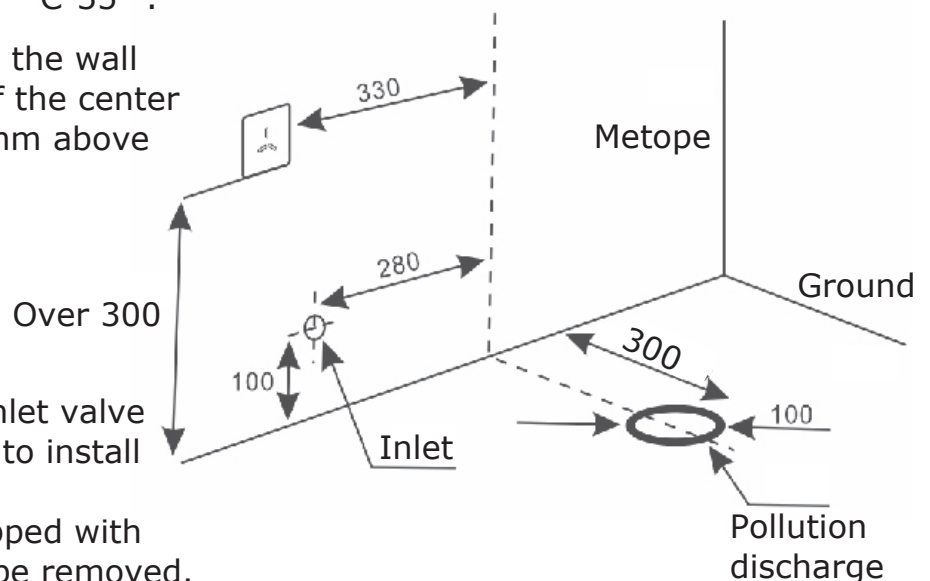
1. Before installation, confirm that the wall and floor tiles of the bathroom have been completed, and that the drainage pipes, waterways, and circuits are reserved as shown in the diagram.

Select the corresponding toilet seat according to the actual pit distance in the bathroom (300mm).

Water inlet pressure range: 0.15Mpa (dynamic) -0.75Ma (static);

Inlet water temperature: 4 ° C-35 °.

2. Install the inlet valve on the wall about 280mm to the left of the center of the sewage outlet, 100mm above the ground.

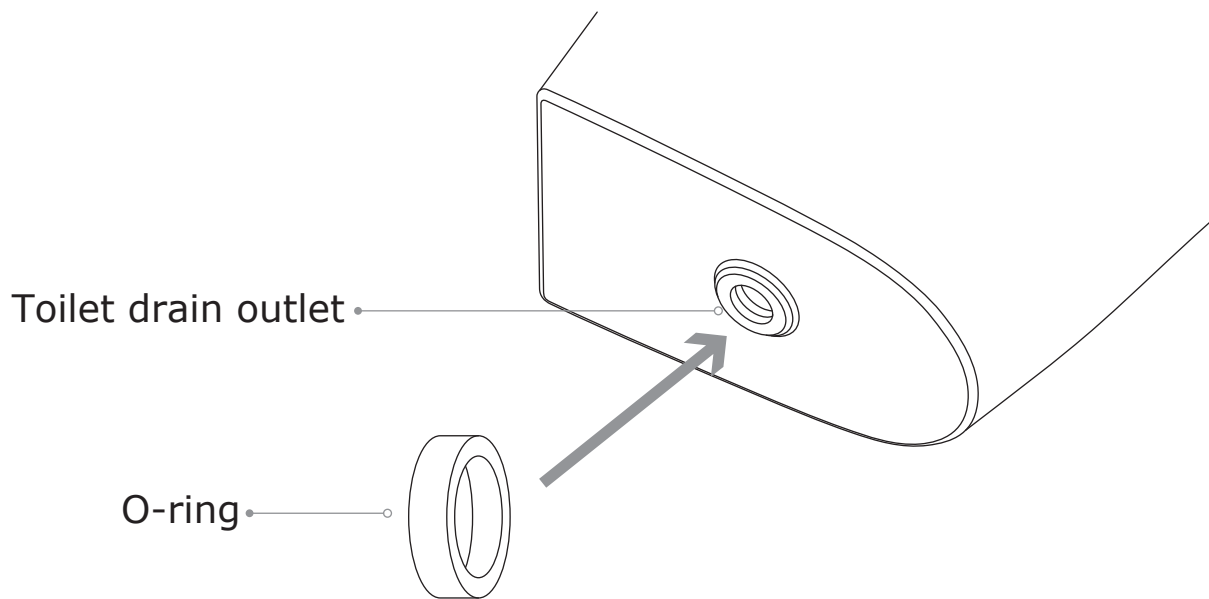


Tip:

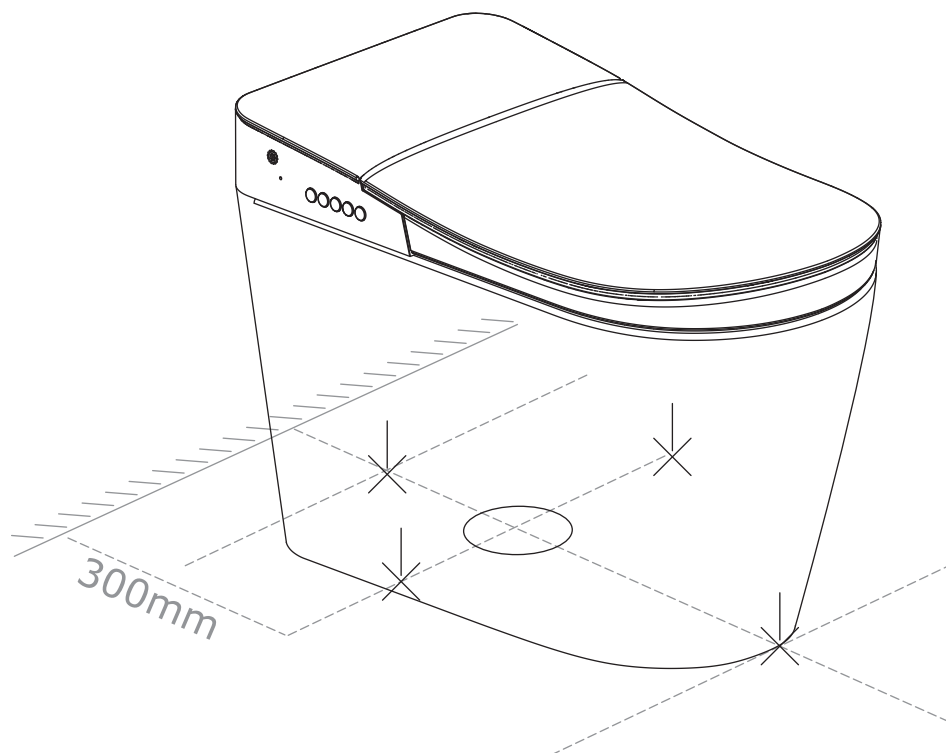
Please use the dedicated inlet valve provided with this product to install it at the outlet pipe.

If the user is already equipped with an inlet valve, it needs to be removed.

Toilet installation



Install the sealing ring tightly at the bottom of the toilet drain.



Lift the toilet, align the mark on the toilet with the ground mark as a control, and slowly place the toilet on the ground to make the two marks overlap.

After overlapping, the ceramic body is pressed down, so that the sealing ring fully contacts the ground and is closely connected with the ground.

After placing the toilet, do not move the toilet or shake it from side to side, otherwise the sealing performance of the sealing ring may be damaged, resulting in water leakage.

2. Install toilet seat

1. Apply a layer of glass glue to both the upper and lower ends of the flange ring, place it on the drain outlet, and then align the pipe opening at the bottom of the toilet with the flange ring.
Gently place the toilet horizontally on the ground from top to bottom.

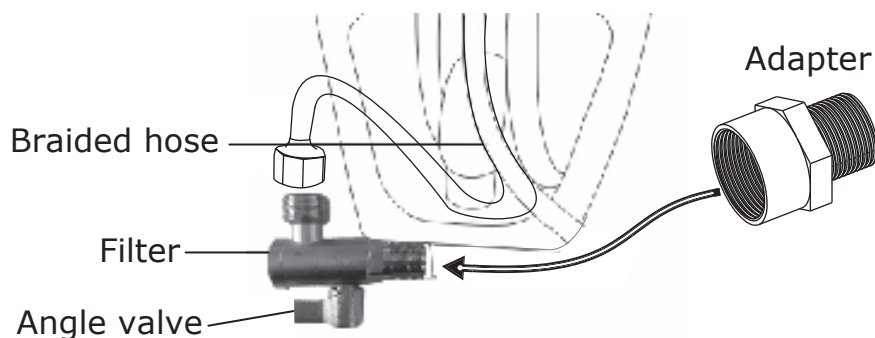
2. Apply a layer of glass glue to the connection between the bottom of the toilet and the ground.

3. Waterway connection

1. Connect the slow opening angle valve and filter of the attachment first.

2. Connect the corner valve to the wall.

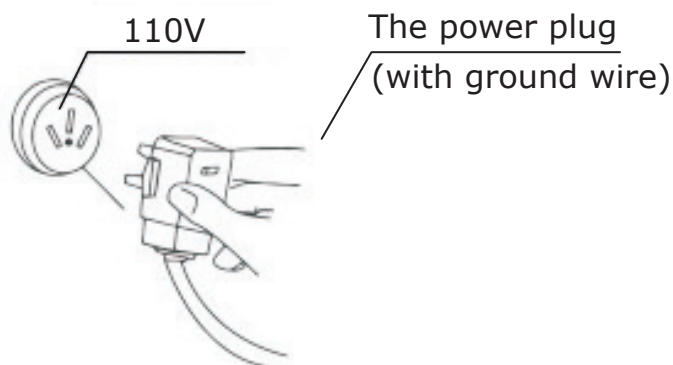
3. After installing the toilet, connect the braided hose to the inlet filter.



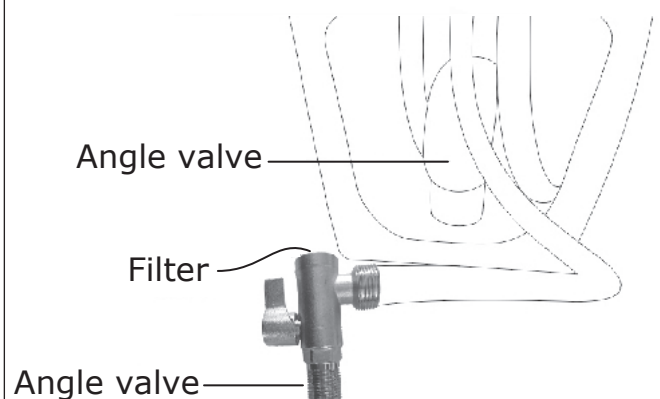
6. Confirmation before use

Before using the smart toilet for the first time, please make sure to confirm the following items.

1. Confirm that the power plug is inserted into the socket.



2. Confirm that the inlet valve is open.



3. Display screen information confirmation

- Confirm if the icon on the toilet display screen is lit up
- Confirm if the water temperature icon is lit up.
If it is not lit up, press the water temperature adjustment button on the remote control to turn on water heating
- Confirm if the seat temperature icon is lit up.
If it is not lit up, press the seat temperature adjustment button on the remote control to turn on seat heating.

4. Confirm various functions

1. Confirm if the nozzle and its water pipe are leaking:
After wiping off all parts of the water pipe, check with absorbent paper.
2. Check whether the nozzle cleaning (when the human body is not seated), cleaning, female use, drying, and automatic deodorization are working properly when the human body is seated, whether the water potential, water temperature, seat temperature, and air temperature are adjusted properly, and whether the damping buffer mechanism is working properly.



※ When checking the cleaning, women's use, drying, and automatic deodorization functions, it should be confirmed that the seat induction is activated. When cleaning or for female use, cover the front end of the nozzle with your hand to block the spray water from splashing.



Warning: Do not use power sources outside of AC 110
Please follow the relevant regulations for wiring
Remote Pairing: Press and hold the Dry button on the side of the toilet until the screen flashes, then press any button on the remote control to pair.

7. Function adjustment and usage methods

◎ When the human body enters the seat cushion, press the "Hip Cleaning" button on the remote control, body button, or knob.

Clean the buttocks

The buttocks nozzle extends to the set position and sprays at the set water temperature for 90 seconds before automatically stopping.

★ Other functions of the buttocks cleaning button on the body: reciprocating massage.

When in buttocks cleaning mode, this button on the body button or knob can control the opening and closing of the reciprocating massage function.

◎ When the human body enters the seat, press the "Women's Clean" button on the remote control, body button, or knob.

Women's cleansing

The woman's mouth will extend to the set position and spray at the set water temperature for 90 seconds before automatically stopping.

Then, the machine will automatically switch to the drying function and dry for 3 minutes before stopping.

★ Other functions of the female cleaning button on the body: reciprocating massage: When in the female cleaning mode, this button on the body button or knob can control the opening and closing of the reciprocating massage function.

Drying

◎ Used for drying after cleaning, can last for 3 minutes. Before drying, use toilet paper to absorb water droplets, which can accelerate the drying speed.

Cease

◎ Used to terminate the following functions: hip cleaning, women's cleaning, drying, and nozzle cleaning will stop working.

Main body button or knob stop button.

◎ Short press is the "stop" command, which is the same as the "stop" button function on the remote control, used to stop the current work.

Automatic flushing

◎ Press this button to activate the automatic flushing function of the toilet

※ When there is a power outage, you can press the manual flushing button on the left side of the machine or the stop button on the knob to flush the toilet.

Cold and hot massage

◎ During the cleaning process, press once to turn on the hot and cold massage function, and then press again to turn it off. When the hot and cold massage function is turned on, the washing water temperature alternates rhythmically between the high temperature range and the normal temperature range, promoting blood circulation.

Nozzle position adjustment

◎ The user does not need to move his body, but can adjust the cleaning position forward or backward according to his body shape, with memory function.
Press the "nozzle forward" and "nozzle backward" buttons on the remote control to adjust the nozzle I position, which can be preset or adjusted in real-time.

Water temperature regulation

◎The water pressure can be adjusted according to the user's preferences, and the cleaning water pressure can be set with a memory function.
Press the "Water Pressure Adjustment" button on the remote control to adjust the cleaning water pressure.
Five adjustable gears.

Wind temperature regulation

◎Press this button to enter the water temperature setting, which has 5 adjustable levels.
Each time this key is pressed, the water temperature switches to another gear, and the water temperature setting is saved.
The light goes out at room temperature.

Seat temperature regulation

◎Press this button to enter the air temperature setting, which has 5 adjustable levels.
Each time this key is pressed, the air temperature switches to another gear, and the setting of the air temperature is saved.
The light goes out at room temperature.

Seat temperature regulation

◎Press this button to enter the seat temperature setting, which has 5 adjustable settings.
Each time this key is pressed, the seat temperature switches to another gear and the seat temperature setting is saved.
The light goes out at room temperature

Energy conservation

◎Press this button once to turn on the energy-saving function, and the energy-saving indicator light of the body will light up. Press this button again to turn off the energy-saving function, and the energy-saving indicator light of the body will turn off.
When not seated, the toilet will control the seat temperature (in extreme temperature range) to about 30°C.
Immediately resume to set temperature upon seating

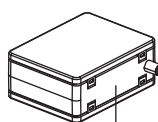
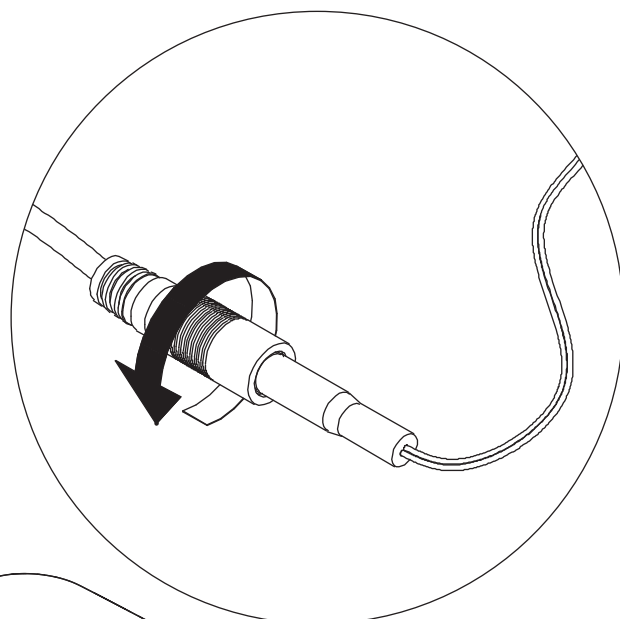
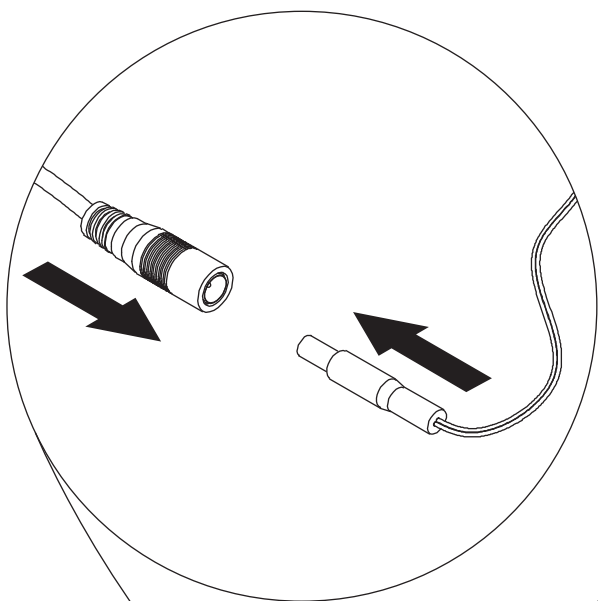
Voice intelligent control

◎Through the preset voice mode, various functions of controlling the intelligent toilet can be achieved.
Please strictly follow the sealing standard "Voice wakeup words and control instructions" for operation.

8. Install backup battery box



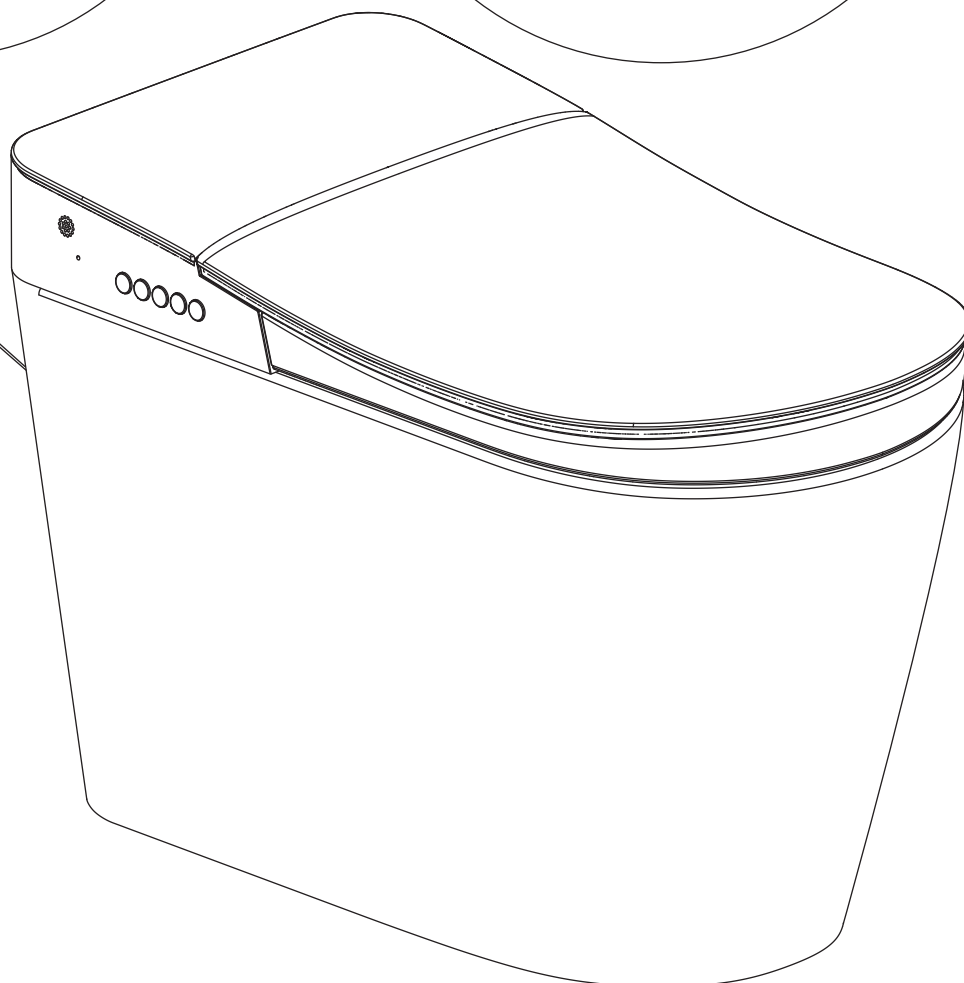
Spare battery box needs to be installed only when there is a power failure.



Spare battery box



Please place 10 pieces of 1.5v AA batteries.



SEAT SENSOR INSTALLED

The seat ring is equipped with a seat sensor.
When it is not seated within the effective sensing range of the sensor, the sensor will not work, and many functions such as hip washing and women's washing will not start automatically.

※ If you are not seated within the effective sensing range of the sensor, please change your seating position.

SEAT SENSOR INSTALLED

The following measures can effectively save energy:

- ※ please close the seat cover after use.
- ※ Don't blindly set the seat temperature and water temperature to high grade, but adjust it so as not to affect comfort. Please adjust the water temperature according to the temperature in all seasons.
- ※ Please use a device with power saving function.
- ※ Please cut off the power when going out for a long time.

SLOWLY CLOSE THE SEAT RING AND SEAT COVER

This machine is equipped with a damping system, which can avoid the impact sound when closing the seat ring and seat cover.



WATER FLOWS OUT AROUND THE NOZZLE

Before and after cleaning or when the nozzle is cleaned, water overflows around the nozzle, which is a normal phenomenon in structure and belongs to the self-cleaning function of the nozzle, not a fault.



In addition to the above situation, if there is more than one water flow, close the water inlet valve, pull the power plug out of the socket, and contact the shop you purchased to solve the problem.

MEN'S KICKING OR FOOT FEELING FLUSHING (PLEASE PURCHASE THE CORRESPONDING MODEL)

It is specially designed for men to urinate, avoiding bending over and touching the feet or sensing parts to achieve flushing.



KICK



FOOT FEEL

INDUCTIVE FLIP AND TURN (PLEASE PURCHASE THE CORRESPONDING MODEL)



10. Cleaning and maintenance methods

NOTE:

During cleaning and maintenance, please turn off the power and confirm that the display icon on the toilet cover panel is off.

CLEANING OF THE OUTSIDE OF THE MACHINE

- ※ When cleaning, the power plug must be unplugged first to avoid plug contact or water ingress into the socket.
- ※ When cleaning this product, please use a soft cloth to wipe with water. If it still cannot be wiped off, wet it with a soft Cloth and then wipe it with detergent (neutral).
- ※ Do not use unsuitable cleaning agents (banana water, bleach, benzene, diluent, detergent powder, cresol, etc.), and do not wash with water or spray with shower head directly to avoid disasters caused by short circuit of lines.
- ※ It is recommended to wipe with a warm cloth to prevent static electricity. The product is easy to absorb dust due to Static electricity, which makes the product dirty and black and difficult to clean.

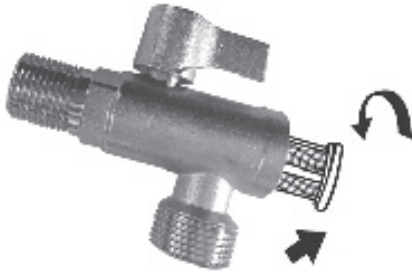
The toilet cover can also be removed from the ceramic body to facilitate the cleaning of)

The part between the toilet cover and the ceramic body

SCREEN CLEANING

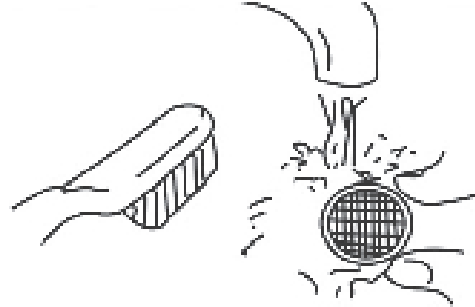
After using the smart toilet for a long time, if you feel that the spray intensity of the shower head or the flush intensity of the toilet decreases, please clean the filter screen in the following order. (cleaning cycle depends on local water quality)

1. Turn clockwise to close the inlet valve and stop water supply.
2. Rotate and take out the filter screen from the filter in a batch.



※ At this time; a small amount of water will flow out.
Please place a basin and other containers below.

3. Wash the dirt attached to the filter screen with a small brush and water.



4. Put the filter screen into the filter according to the original direction, and then tighten the water supply hose to ensure it is firm.
5. Open the inlet valve to supply water to the original position.
6. Finally, be sure to carry out a trial run.

- When removing the filter screen, be sure to close the inlet valve.
- When installing the filter screen, please tighten the water supply hose firmly, otherwise it is easy to cause water leakage and indoor water accumulation.

DISASSEMBLY METHOD OF TOILET COVER

1. Unplug the power plug from the socket.
2. Turn clockwise to close the inlet valve and stop water supply.
3. Unscrew the water supply hose behind the toilet cover, and note the connection parts (3 hoses in total).
4. Hold both ends of the toilet cover with both hands and lift it up to separate the toilet cover from the ceramic body.
5. Gently place the toilet cover on the ceramic body and clean the ceramic body.
6. After cleaning, hold both ends of the toilet cover, cover it on the ceramic body from top to bottom, and after placing it to the bottom, hear a "click" to indicate that the installation is complete.
7. After fixing, gently shake the toilet cover from front to back, left and right to confirm whether it is locked firmly.
8. Connect and tighten the three water supply hoses according to the corresponding positions when they were unscrewed.
9. Insert the power plug into the socket and turn counterclockwise to open the water inlet valve.



GENERAL FREEZING PREVENTION MEASURES

AUTOMATIC HEATING



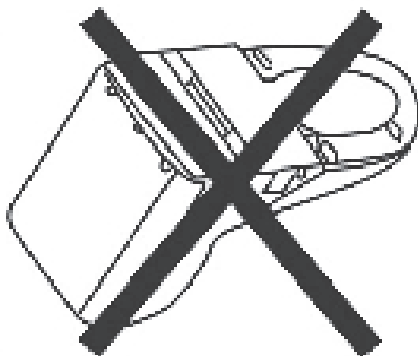
In cold winter, the smart toilet will be damaged and leak due to water freezing. In order to prevent freezing, do not unplug and plug it into the power outlet.

In order to prevent freezing, the control system will detect that when the indoor temperature is lower than 5 degrees, It will automatically heat once.



BE CAREFUL

1. Please do not pull the power cord or the toilet water supply hose.
※ Damage or water leakage may occur.
2. Please be careful when removing the toilet cover for cleaning.
※ It will lead to water leakage and failure.
3. Do not turn the tile cover upside down without unplugging the power supply. In addition, it cannot be placed directly on the ground.
※ It will cause surface scratches and failures.



11. Fault analysis and troubleshooting

Please check the following items before commissioning maintenance services.

Product position of function	Phenomenon	Inspection items	Exclusion method
Organism	Not working at all	Whether the power is not turned on	Please turn on the power
		Whether the power plug is plugged in properly	Please plug in the power plug again
		Power failure	Check again after power supply is restored
Hip wash (women's wash)	The nozzle cannot discharge water	Whether the inlet valve is open	Please open the inlet valve
		Whether to stop water supply	Please stop the washing function and wait for the water supply to resume for inspection again
		Whether the nozzle is blocked by foreign matters	Please clean the nozzle and remove foreign matters
		Whether the sensor senses	Readjust the sitting posture and confirm that the sensor works normally
	Weak water potential	Whether the water pressure is set at weak gear	Reset the water pressure
		Whether the water inlet channel is smooth	Please clean the inlet filter
	Water stopover	Set whether the cleaning time has arrived The cleaning time of the machine is 120 seconds	Please restart the washing function after waiting for 3 minutes
		Whether the sensor senses	Readjust the sitting posture and confirm that the sensor works normally
	water temperature is low	Whether the water temperature setting is low	Please press the "water temperature" button to adjust the water temperature
	Warm air drying	Low warm air temperature	Whether the air temperature is set to low temperature
Midway stop of warm air		Automatic drying stop time	Please restart the drying function
	Whether the sensor senses	Readjust the sitting posture and confirm that the sensor works normally	
Seat ring heating	Insufficient seat ring temperature	Is the seat temperature set to low	Please press the "seat temperature" button to adjust the seat temperature
		Whether energy saving is on	Readjust the seat temperature

Buzzer abnormal alarm	The water temperature indicator flashes and the buzzer gives an alarm	Unplug the power plug and supply power again. If the fault still exists, please cut off the power supply and contact the manufacturer or local maintenance organization
	Seat temperature indicator flashes and buzzer alarms	
	All indicators flash and buzzer alarms	Turn off the power, check whether the water supply is stopped, and turn on the power after the water supply is restored
	Leakage of engine body	Close the water-saving valve to stop water supply, check the water supply, check whether the water supply pipeline is damaged, and contact the manufacturer or local maintenance organization.

12. Product specifications

Name		
Rated voltage	AC 110V±10%,50Hz/60Hz	
Rated power	1400W	
Wire length	1.5m	
Water supply pressure	0.15Mpa (dynamic pressure)~ 0.75mpa (static pressure)(1.5 ~ 7.5kg/cm ²)	
Washer	Flushing water volume	The maximum flow rate of hip washing is 0.75l/min Women's washing: the maximum flow is 0.85l/min
	Water pressure regulation	Hip washing and women's washing are four gears each, controlled by computer
	Temperature regulation	4th gear adjustment (without heating, about 34 ± 1°C, about 37 ± 1°C, about 40 ± 1°C
	heating power	1400w (instantaneous) (thermal storage)
	Safety device	Water temperature sensor, overheat blocking, temperature fuse
Race	Heating power	45W
	Buffering function	When opening and closing the toilet seat and toilet cover, put it down slowly and gently
	Temperature regulation	Gear 4 adjustment (without heating, about 34 ± 2°C, about 37 ± 2°C, about 40 ± 2°C
	Safety device	Seat temperature sensor, temperature fuse
Dry	heating power	250W
	Temperature regulation	Gear 4 adjustment (without heating, about 35 ± 5°C, about 45 ± 5°C, about 55 ± 5°C)
	Safety device	Fan stall protection, overheat protection, temperature fuse
Flushing method	Jet siphon type	
Ambient temperature	0~40°C	

Note:

when the water pressure is lower than 0.2MPa,itis recommended that the user install a booster pump, otherwise your normal use may be affected.

13.Product warranty card

Thank you for purchasing our products.
 In order to protect your rights and interests,our company guarantees that if you find any product quality problems, please contact the purchasing office or our after-sales service office.

Product Name		Product model	
Purchase date		Serial number	
Customer Name		Warranty period	
Contact address			
Maintenance record	Fault and handling	Maintenance date	Repair personnel

User retention copy

Matters related to product warranty

- * When purchasing this product, please carefully fillin the content of the product warranty and keep it properly.
- * Within 30 days from the dateof delivery, if the product is found to have quality problems undernormal use, he company will be responsible for repiacing it after being certified by the company's technical personnel.
- * During the warranty period, the company will repair the faults under normal use mentioned in the operating instructions,precautions,labels and other contents forfree.
- * For the services within the scope of paid maintenance services during the warranty period, maintenance feeswill bechargedas appropriate.

Paid maintenance service

- * Improper use or artificial failure and damage after installation.
- * Failure caused by unauthorized disassembly or modification.
- * Faults caused by fire, typhoon, flood, earthquake, lightning and other natural disasters and abnormal voltage.
- * Move the machine for installation according to the customer's requirements.
- * The service life of consumable parts has expired.
- * The product has been repaired by technicians not recognized by the company.
- * Faults and damages caused by use outside ordinary homes (such as public places).
- * No purchase invoice.
- * The warranty card information was not filled in and the "user receipt" was not sent back to the company.

The product service is two years (from the day when the product leaves the factory) from the second year to the service time, we supply spare parts and tracking services free of charge. However, the door-to-door service fee and the round-trip express fee for sending accessories are included.

It is paid by consumers. After receiving the service fee, we will immediately send spare parts and arrange for them to come to our house.

After the foam, the freight shall be borne by the consumer.

If the consumer purchases it outside without permission and causes liquid to be used up, it is recommended to purchase it from the supplier or contact us to purchase it at the original price. Damage to the foam machine, the consumer shall be responsible for all. It is irresponsible of us to tear off the bar code and sticker on the back of the flip without permission.

Please fill in the warranty card information completely, tear off the "user receipt" and send it back to the company, otherwise you will not enjoy the warranty policy

User Name		Contact number	
Contact address			
Purchase shop		Purchase date	
Product model		Satisfaction	<input type="checkbox"/> satisfied <input type="checkbox"/> commonly <input type="checkbox"/> dissatisfied
Serial number		Customer signature	

User receipt

14.Voice wake-up words and control commands

Number	Instruction command words	Function/Broadcast
1	Welcome to the voice smart toilet, you can use Xiao Ai to wake me up	
2	Xiao Ai Xiao Ai/Xiao Ma Xiao Ma	(I am here)
3	Speak louder	(speak louder)
4	Lower the volume	(lower the volume)
5	Open seat ring, open seat ring	(seat ring already open)
6	Close the seat ring, close the seat ring	(seat ring closed)
7	Open the lid, open the toilet lid, open the top lid, open the toilet lid	(toilet lid already open)
8	Close lid, close lid, close toilet lid, close top lid	(toilet lid closed)
9	Xiao Ai Flushing, Xiao Ma Flushing, Open Divine Wash, Open Flushing, Toilet Flushing	(Toilet already flushed)
10	Turn off cleaning	(cleaning has been turned of)
11	Turn on drying	(drying has been turned on)
12	Turn off drying	(drying has been turned of)
13	Turn on the night light	(night light turned on)
14	Turn off the night light	(night light has been turned of)
15	Raise the water temperature, raise the water temperature	(the water temperature has already increased)
16	Lowering water temperature, lowering water temperature	(water temperature has already decreased)
17	Raise the wind temperature and adjust the wind temperature	(the wind temperature has already increased)
18	Reduce wind temperature, lower wind temperature	(wind temperature has decreased)
19	Raise seat temperature and adjust seat temperature	(seat temperature has increased)
20	Lowering seat temperature, lowering seat temperature	(seat temperature has been lowered)

Number	Instruction command words	Function/Broadcast
21	Spray rod forward	(spray rod has been moved forward)
22	Spray rod moved back	(spray rod has been moved back)
23	Increase water pressure, increase water pressure	(water pressure has already increased)
24	Reduce water pressure, decrease waterpressure	(water pressure has decreased)
25	Hip cleaning and flushing	(Hip cleaning has been turned on)
26	Female mode, female flushing	(female cleaning has been turned on)
27	Automatic cleaning	(automatic cleaning enabled)
28	Children's mode	(child cleaning enabled)
29	Cleaning nozzle	(cleaning nozzle turned on)
30	Mobile cleaning	(Mobile cleaning enabled)
31	Stop moving	(mobile cleaning has been stopped)
32	Open foam	(foam has been opened)
33	Close foam	(foam closed)
34	Cold and hot start	(cold and hot have been turned on)
35	Hot and Cold Off	(Hot and Cold Off)
36	Open Broadcast	(Broadcast already open)
37	Turn off broadcast	(broadcast has been turned off)
38	Strong weak start	(Strong weak already enabled)
39	Power off	(Power off)

Note:

Please strictly follow the corresponding lexical standards mentioned above for operation.

Following one's own wishes and imagination at will may not lead to successful operation.

WARRANTY

WARRANTY CLAIMS

- There is a 30-day warranty for broken furniture or any other problems that do not work properly. The warranty will start from the date of purchase which must be verified by proof of purchase.
- Before making a claim, we may be able to answer your query, simply call us. Please leave your purchase order number, along with some details of the problem, if you want a replacement part. We will arrange within 48 hours. If there is out of stock, we will reply with a shipping date.
- The product must be used in accordance with the instructions provided. For health reasons.
- For other reasons, if the furniture needs to be returned, it must be cleaned and dried and operated within 30 days of receipt.

Type of Warranty Claim

- Failure to follow the furniture instructions will invalidate the warranty. Attention please.
- Does not include damage during installation, but includes damage during transportation.

Scope of responsibility

- Shall not bear any responsibility for misuse or user damage and / or loss of parts during the installation of furniture.
- After using, the damage and scratches of the furniture are not covered by the warranty.

The Warranty Relates to All Bought in The Us and Covers The Following Areas

- Sheet parts: 1 month from the date of purchase.
- Electrical parts: 1 month from the date of purchase.

RETURNS

CHANGED YOUR MIND AND NEED TO RETURN YOU ITEM?

PLEASE FOLLOW THE BELOW INSTRUCTIONS:

- If you have purchased and have simply changed your mind, follow the retailer's instructions for returns.

DEFECTIVE ITEMS

- If your item is defective in any way, i.e. it doesn't work but you can't identify why, in the first instance, please call us.

DAMAGED ITEMS

- If you receive an order with obvious shipping damage from the retailer, then we suggest the delivery is refused. If the delivery has been accepted and then shipping damage is found, please follow the specific instructions advised by the retailer.
In all circumstances please save all packaging material and paperwork for the order. Please be aware that if you dispose of packaging material or attempt to return the merchandise without contacting the fulfiller, you jeopardise your chances of making a claim, and you may not receive a credit for the return.

AFTER-SALES CONTACT



adelahu@fufugaga.com



208-820-0068