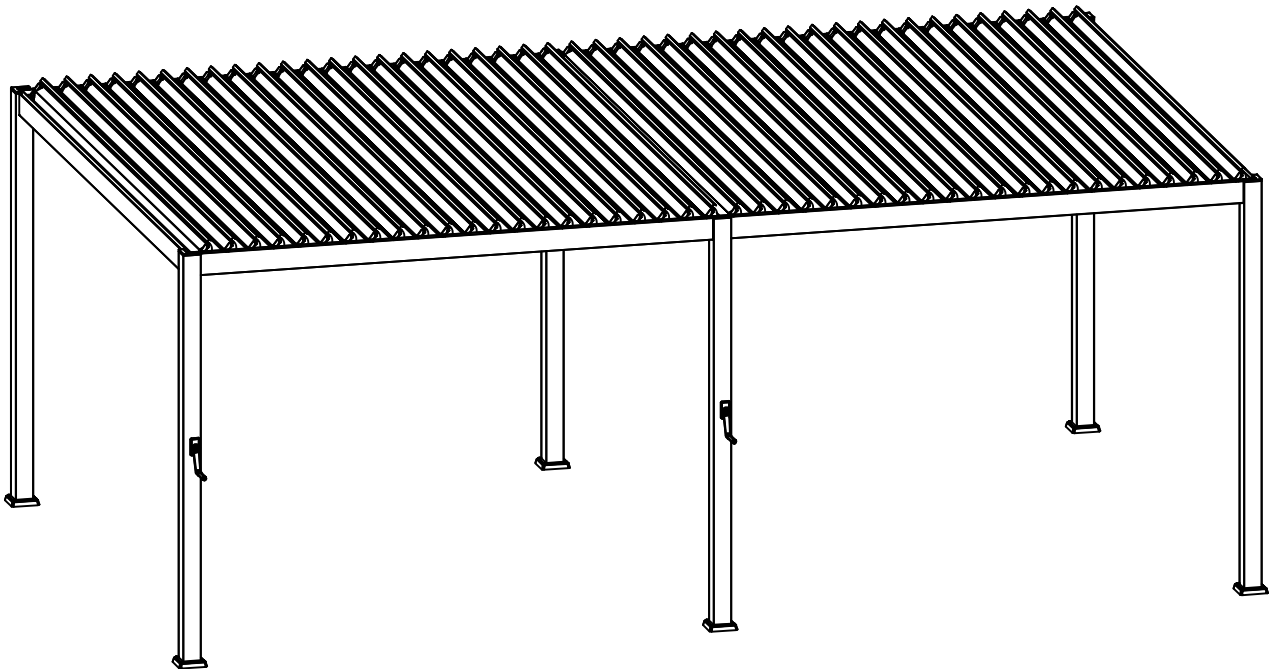


---

---

# 12' × 20' Modern Louvered Pergola



**Scan for assembly video**

Need help or have any questions? Our Professional Service Team is ready to assist you. Don't hesitate to reach out to us at [service@usavingmall.com](mailto:service@usavingmall.com) or call us at **949-866-8000** for any support or further assistance. We are committed to providing excellent service.

**User Manual**

---

---

## General Guidelines:

- Please read the following instructions carefully and use the product accordingly.
- Please keep this manual and hand it over when you transfer the product.
- This summary may not include every detail of all variations and considered steps. Please contact us when further information and help are needed.
- Any questions, please contact our customer service.

## Notes:

- Personal injury and/or damage to the product may occur if the product is used outside of its intended purposes and/or if the product has been changed/modified from its original design.
- The product must be assembled and used in accordance with the provisions of the manual. The seller does not assume any responsibility or liability with respect to any damage caused by incorrect assembly or improper use.
- Carefully check accessories when opening the package. If anything is missing or damaged, please contact us immediately.
- Please do not force or overtighten screws. If any screw gets stuck, unscrew it and start again. After setup, fully tighten screws.
- Please keep all the packaging - we cannot accept any returned item without the original packaging.
- Please ensure that you have sufficient space to assemble the item.
- Do not tighten all the screws before ensuring the item is properly aligned.
- Ensure that the pergola is installed in a suitable location with adequate space and proper support.
- It is recommended to assemble the pergola with the help of at least three people to ensure safety and efficiency. The use of a ladder and power tools can greatly increase installation efficiency.
- Keep small parts and hardware in a safe place during assembly to avoid misplacement.

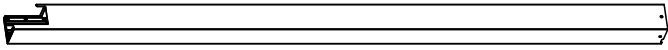
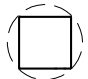
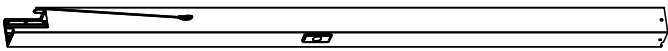
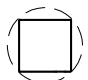

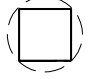
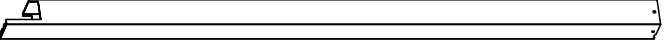
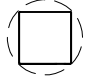
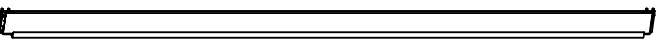













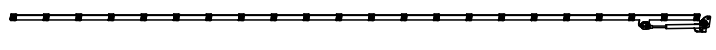
## Warnings:

- Keep children away when assembling the product. Small parts included in the package can be fatal if swallowed or inhaled.
- To avoid potential dangers of suffocation, please keep all parts and packaging (film plastic bags, foam, etc.) away from babies and children.
- Tighten all components securely before use. Failure to do so may result in personal injury.
- Ensure that the pergola is securely anchored or fastened to the ground or any supporting structure to prevent it from toppling over.
- Be cautious while handling any sharp edges or corners of the pergola during the assembly process.


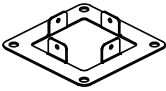
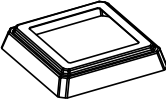
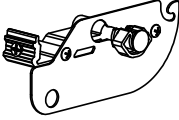
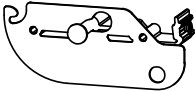
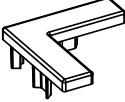

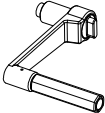

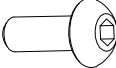
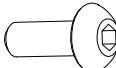
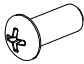

## Daily Maintenance:

- Regularly inspect the pergola for any loose or damaged parts and secure or replace them as needed.
- Clean the pergola using mild cleaning solutions and a soft cloth.
- Keep vegetation and debris clear from the pergola to prevent any potential damage or obstruction.

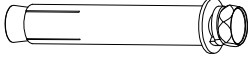
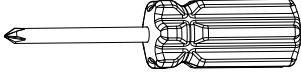
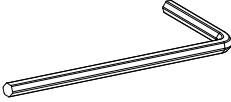
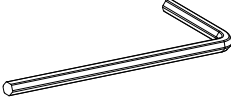
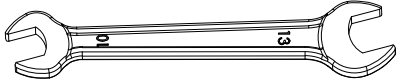
# Part List

Part Number	REF		Part Name	Qty
<b>A1</b>			Pillar	<b>3</b>
<b>A2</b>			Main Pillar	<b>1</b>
<b>A3</b>			Middle Main Pillar	<b>1</b>
<b>A4</b>			Middle Pillar	<b>1</b>
<b>B1</b>			Beam	<b>2</b>
<b>B2</b>			Beam	<b>1</b>
<b>B3</b>			Beam	<b>1</b>
<b>B4</b>			Beam	<b>1</b>
<b>B5</b>			Beam	<b>1</b>
<b>C</b>			Louver	<b>42</b>
<b>C1</b>			Louver	<b>2</b>
<b>D1</b>			Connectingstrip withhydraulic rod	<b>2</b>



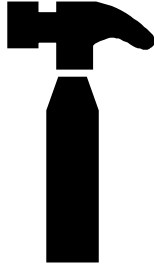
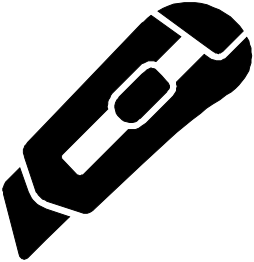

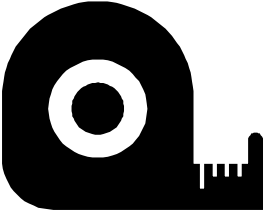
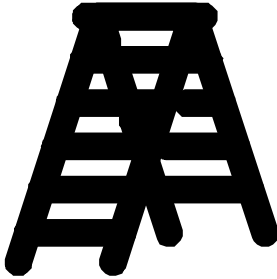
# Part List

Part Number	REF	Part Name	Qty
<b>D2</b>		Connecting strip	<b>2</b>
<b>F1</b>		Foot plate	<b>6</b>
<b>F2</b>		Foot plate cover	<b>6</b>
<b>G1</b>		Louver end cap	<b>44</b>
<b>G2</b>		Louver end cap	<b>44</b>
<b>H1</b>		Corner Pillar Cover	<b>4</b>
<b>H2</b>		Middle Pillar Cover	<b>2</b>
<b>K</b>		Crank	<b>2</b>
<b>P</b>		C-Clip	<b>93</b>
<b>AA 1</b>		M6X14 Screw	<b>42</b>
<b>AA 2</b>		M6X18 Screw	<b>2</b>
<b>CC 1</b>		M5X12 Screw	<b>2</b>
<b>CC 2</b>		Washer	<b>2</b>

# Part List

Part Number	REF	Part Name	Qty
EE		M6x60mm Anchor bolt	<b>24</b>
FF		Screwdriver	<b>2</b>
GG		Large Allen wrench	<b>2</b>
HH		Small Allen wrench	<b>2</b>
JJ		Double open- end wrench	<b>1</b>

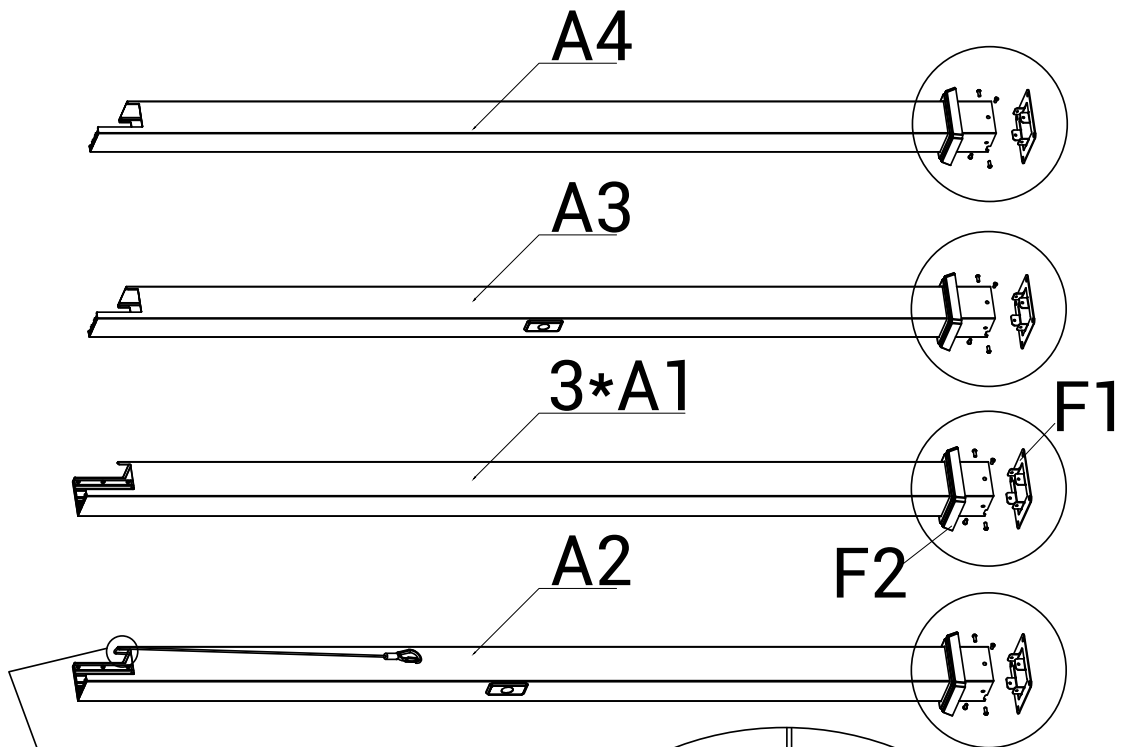
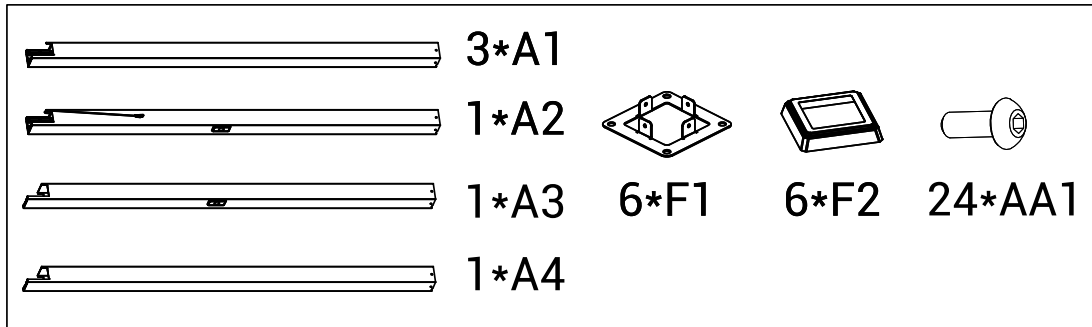
To make your installation process quicker and more convenient, we recommend having the following tools and accessories ready in advance. Please note that these are not included with the product.

<p>Protective Gloves</p> 	<p>Electric Screwdriver</p> 	<p>Hammer</p> 	<p>Box Cutter</p> 
<p>Hard Hat</p> 	<p>Tape Measure</p> 	<p>2 Ladders</p> 	

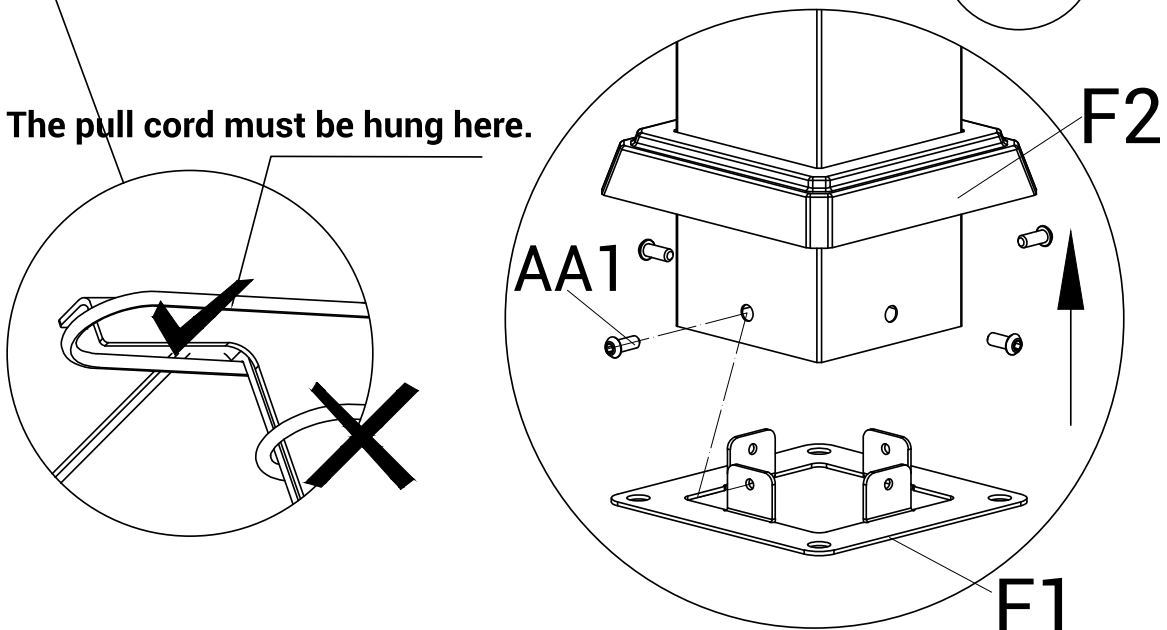


## Step 1: Install Foot Plates

Slide the Foot Plate Covers (F2) over all pillars (A1, A2, A3, A4). Insert the Foot Plates (F1) into the bottom groove of each pillar and secure them using Screws (AA1).

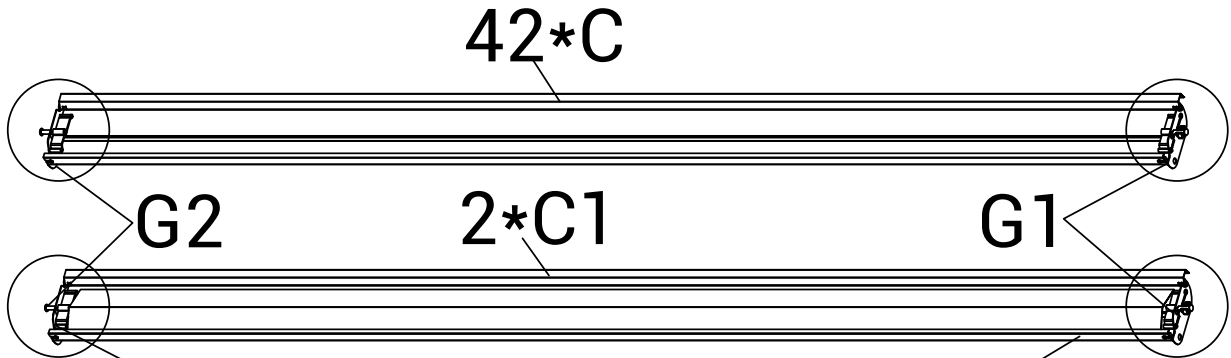
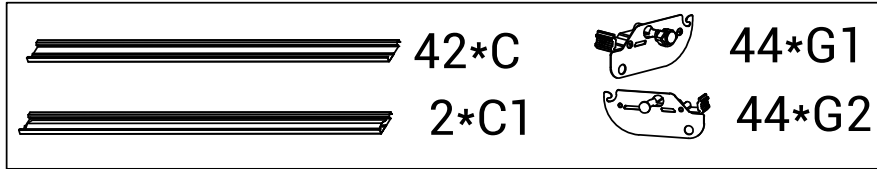


Note: The pull cord must be hung here.

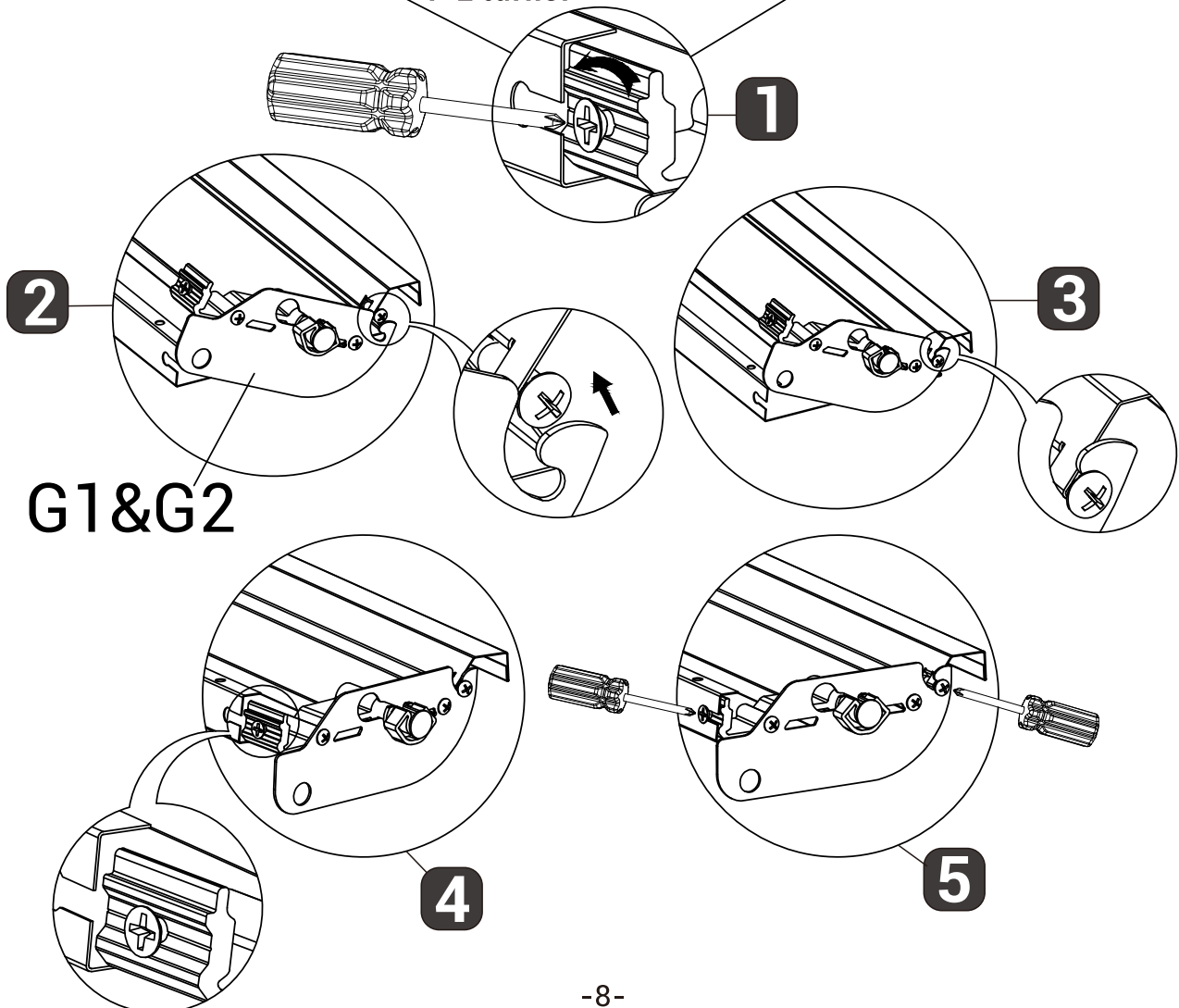


## Step 2: Assemble Louver Caps

Attach the Louver End Cap (G1) and Louver End Cap (G2) to Louvers C and C1, ensuring they are on the correct sides. Use Screwdriver (FF) to tighten the screws for a snug fit.

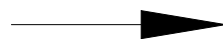
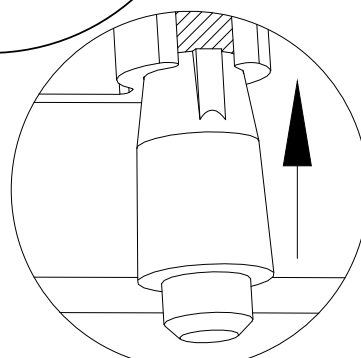
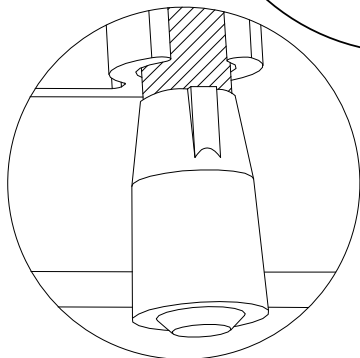
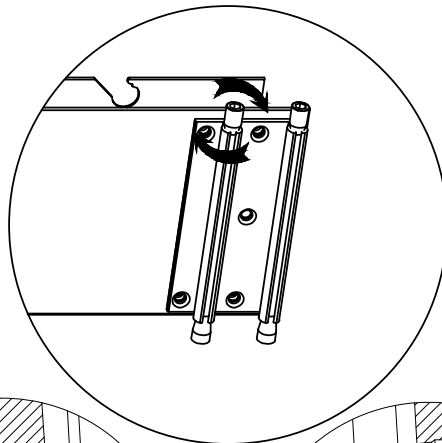
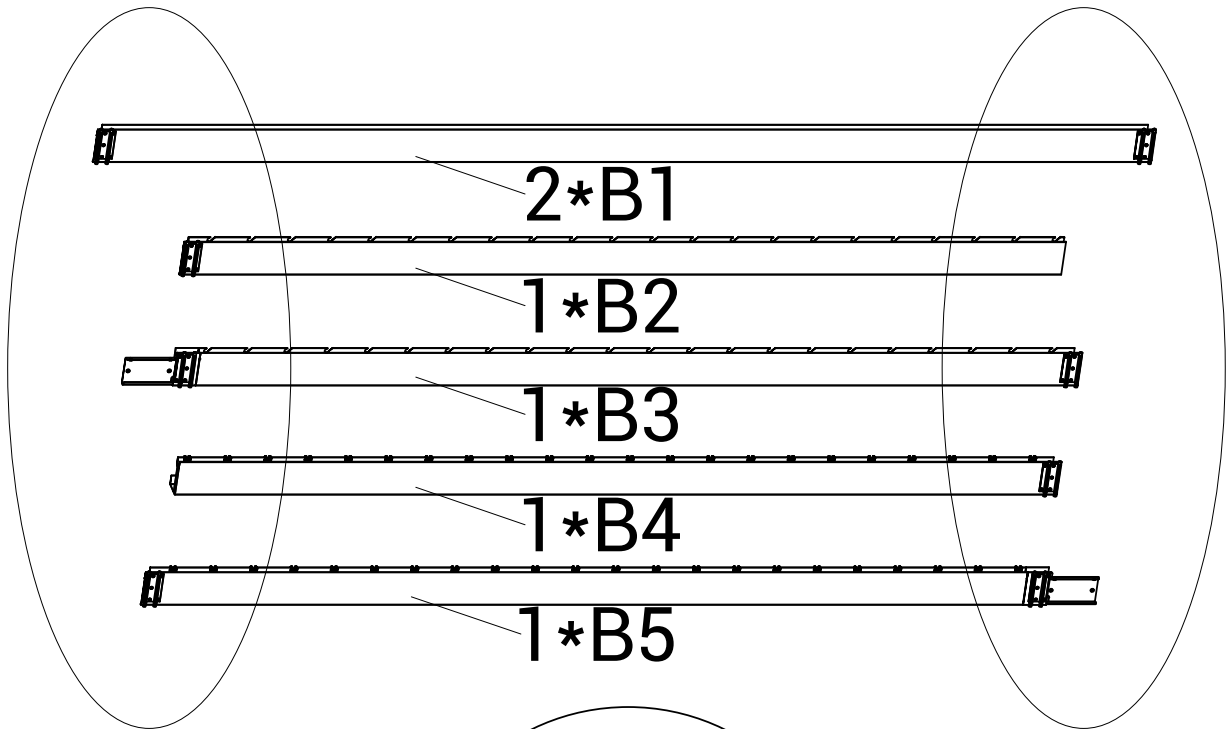
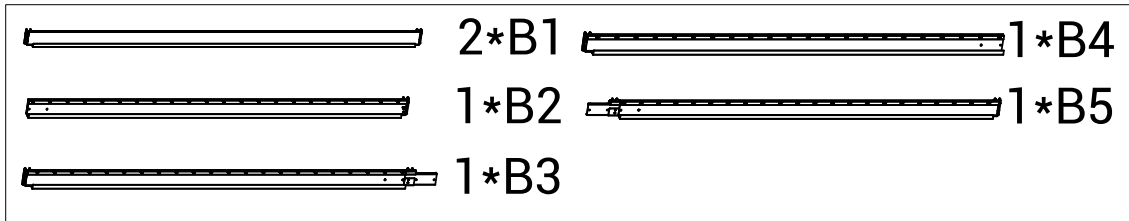


Loosen the 5x10 screw at the end of the connector by 1-2 turns.



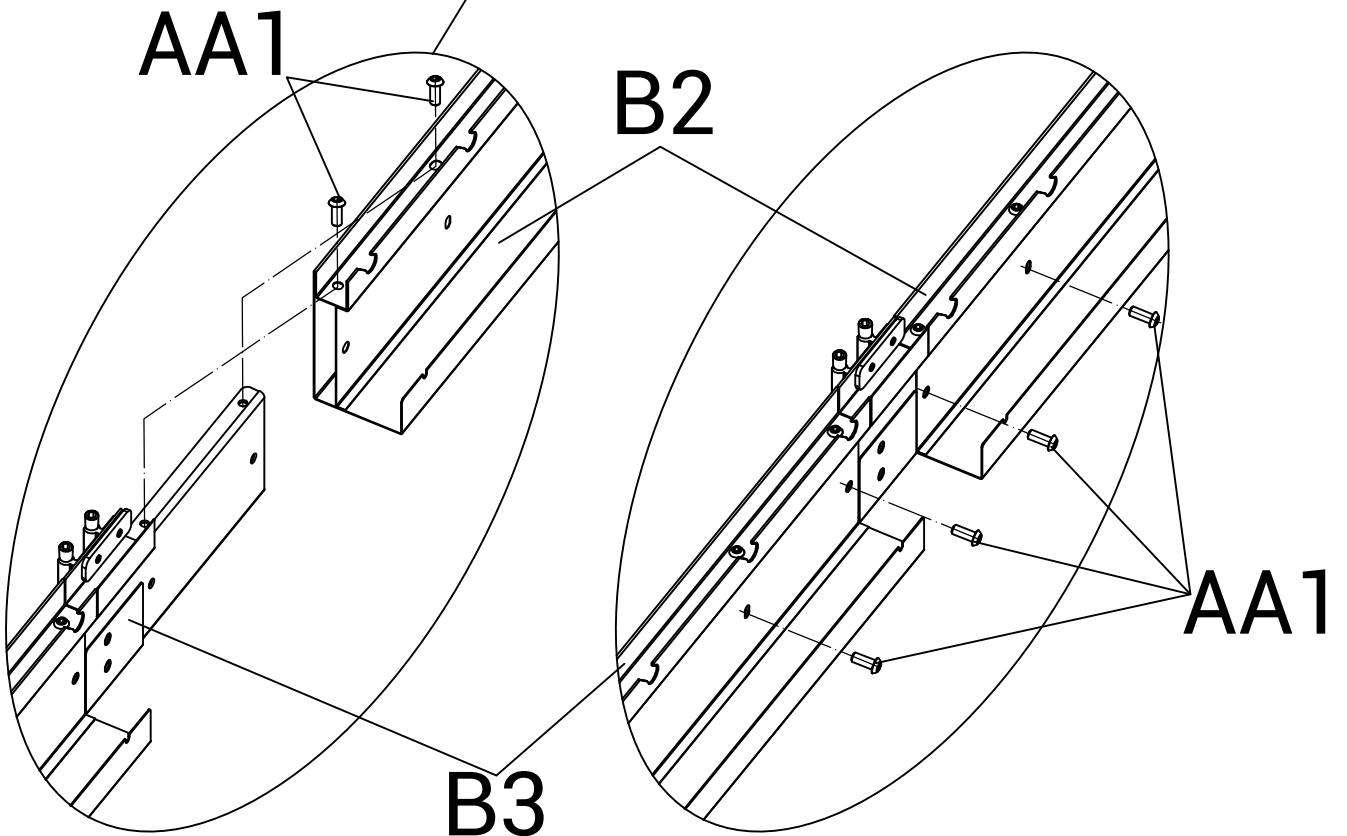
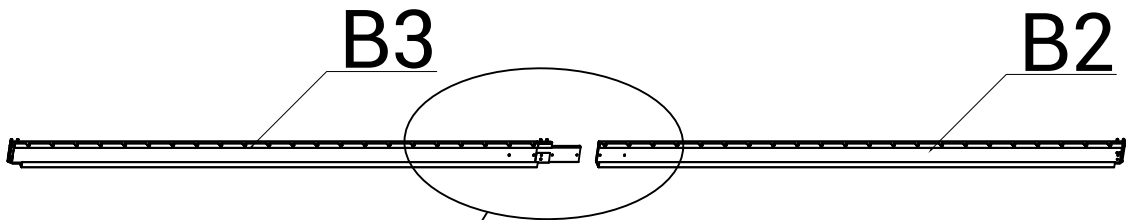
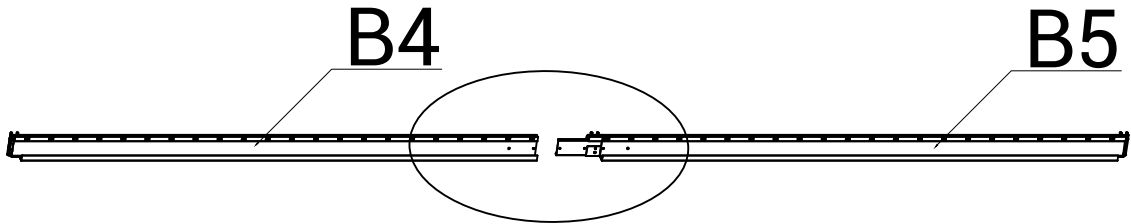
### Step 3: Check Beams

Before fitting the beams, check that the tapered nuts at both ends are secure. If they are loose, hand-tighten them completely.



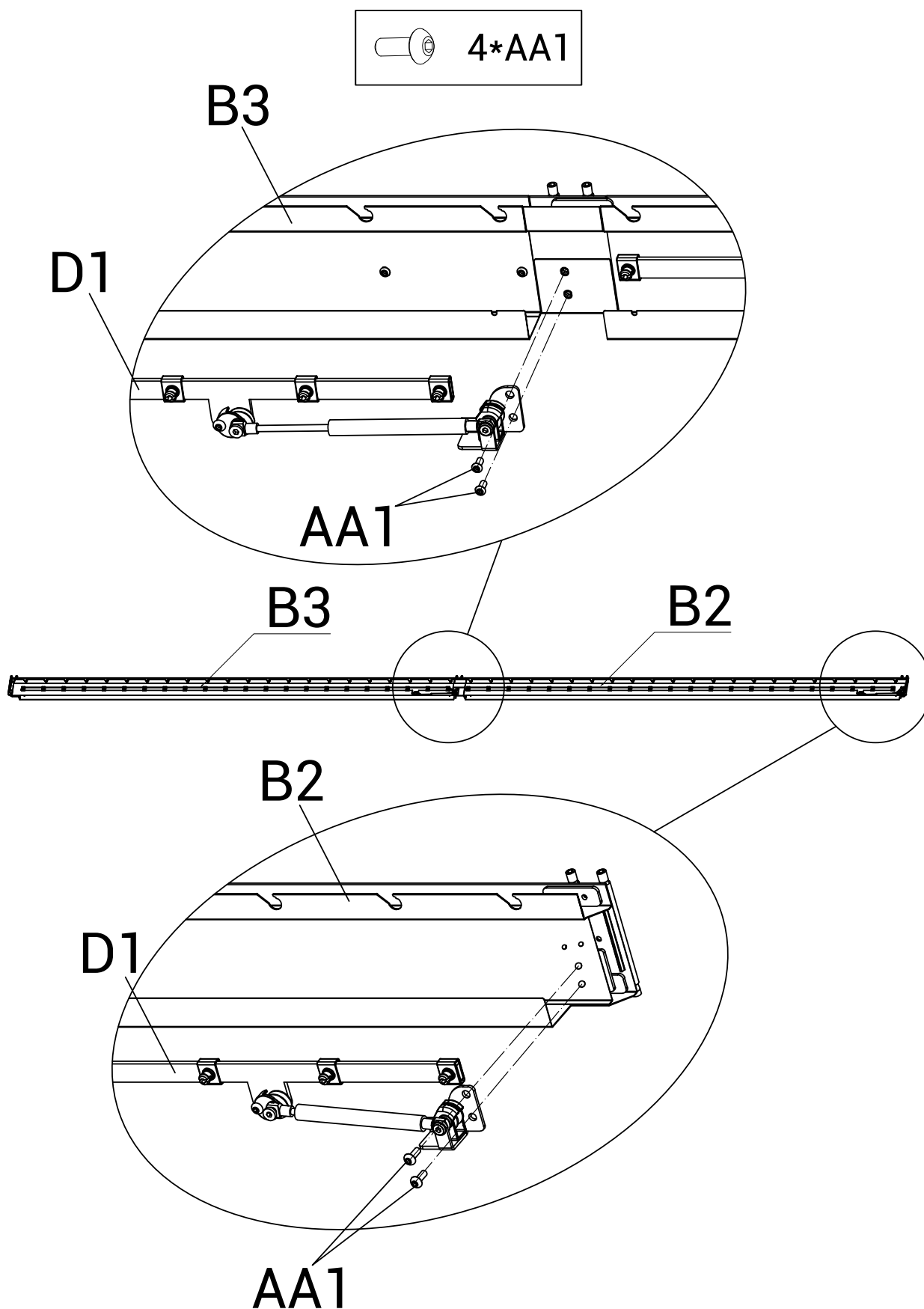
#### Step 4: Connect Beams

Connect Beams B4 & B5 together, and connect Beams B2 & B3 together. Secure the connections using Screws (AA 1).



## Step 5: Attach Connecting Strip

Attach the two Connecting Strips with Hydraulic Rods (D1) to the assembled Front Beams (B2 & B3) using Screws (AA 1).



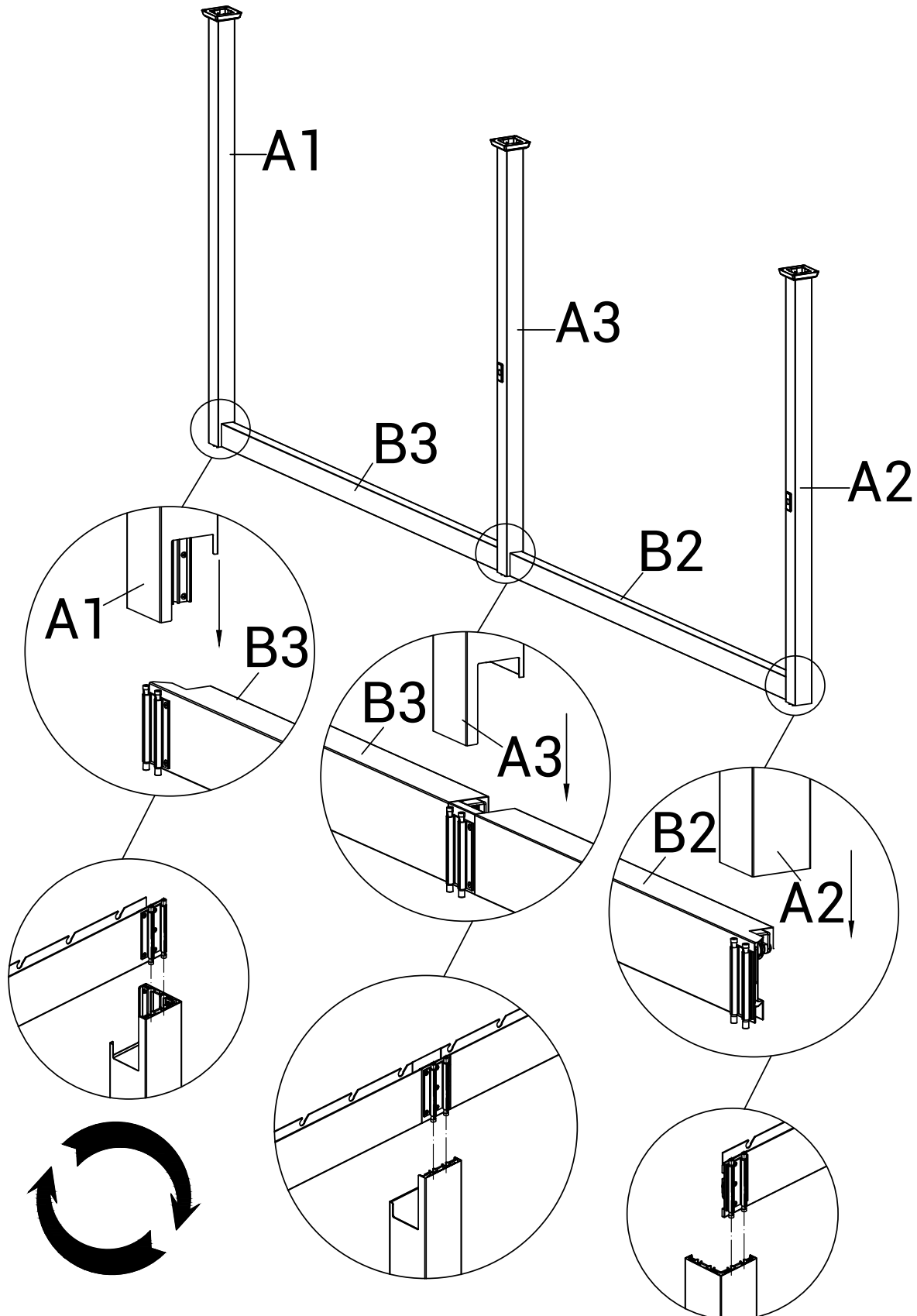
---

---

## Step 6: Main Frame Assembly (Part 1)

Connect Pillars (A1, A3, A2) to the assembled Beams (B3 & B2).

**Critical:** Ensure the beams do not pinch or compress the crank ropes positioned at the top of Pillars A2 and A3.

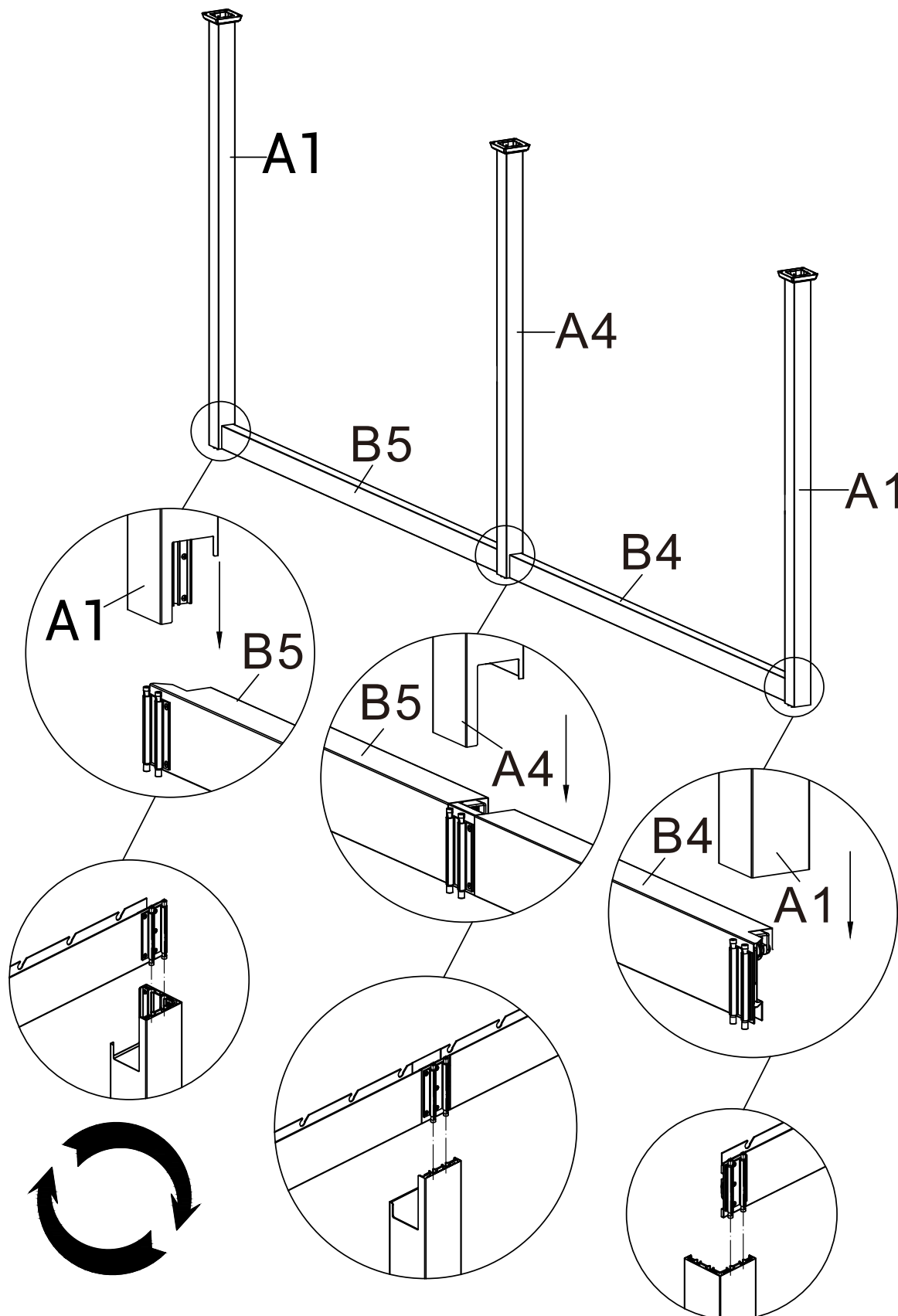


---

---

## Step 7: Main Frame Assembly (Part 2)

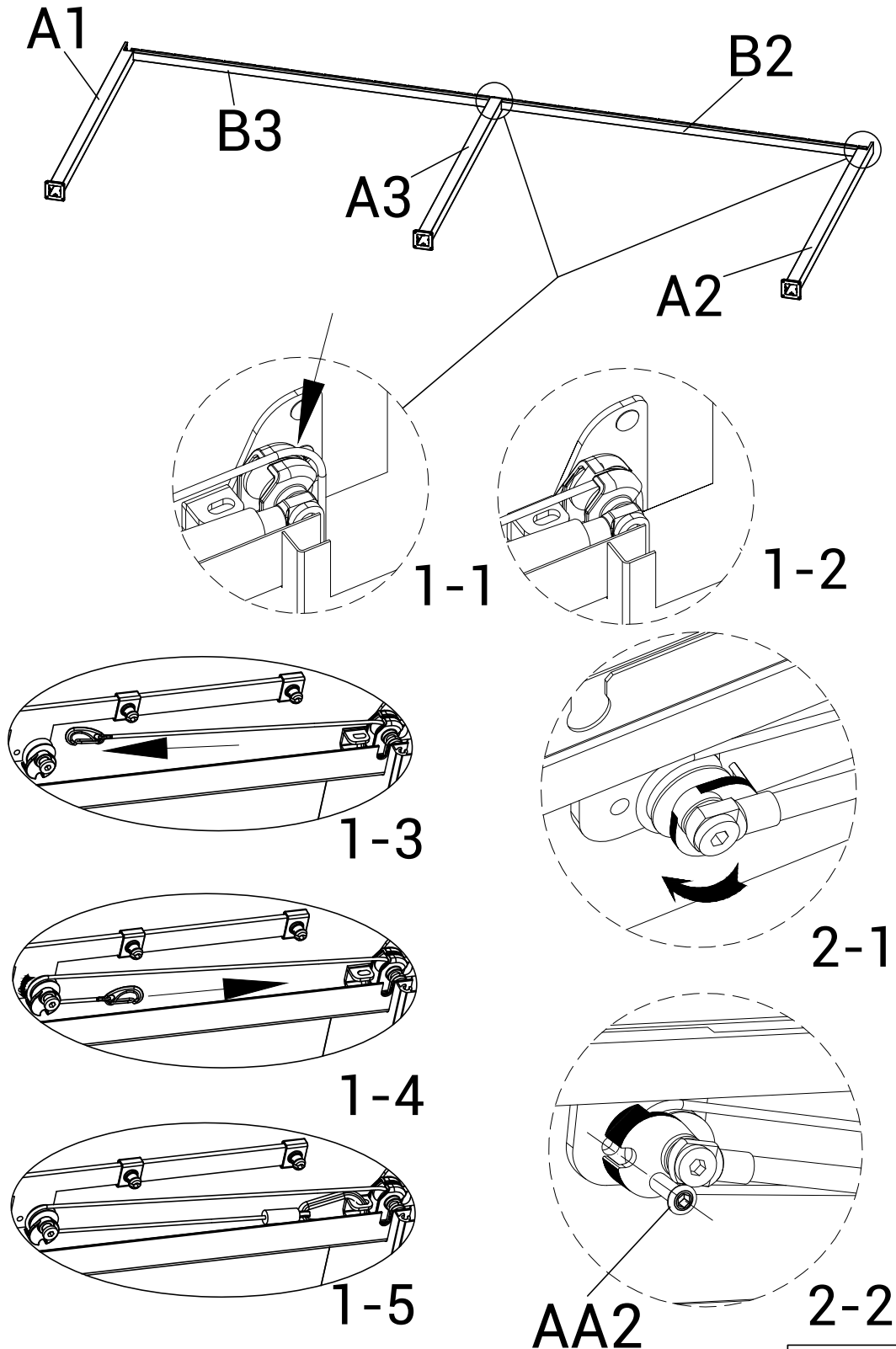
Connect Pillars (A1, A4, A1) to the assembled Beams (B5 & B4).  
Ensure tight connections.



## Step 8: Install Hydraulic Mechanism (Double System)

This pergola has two independent louver sections.

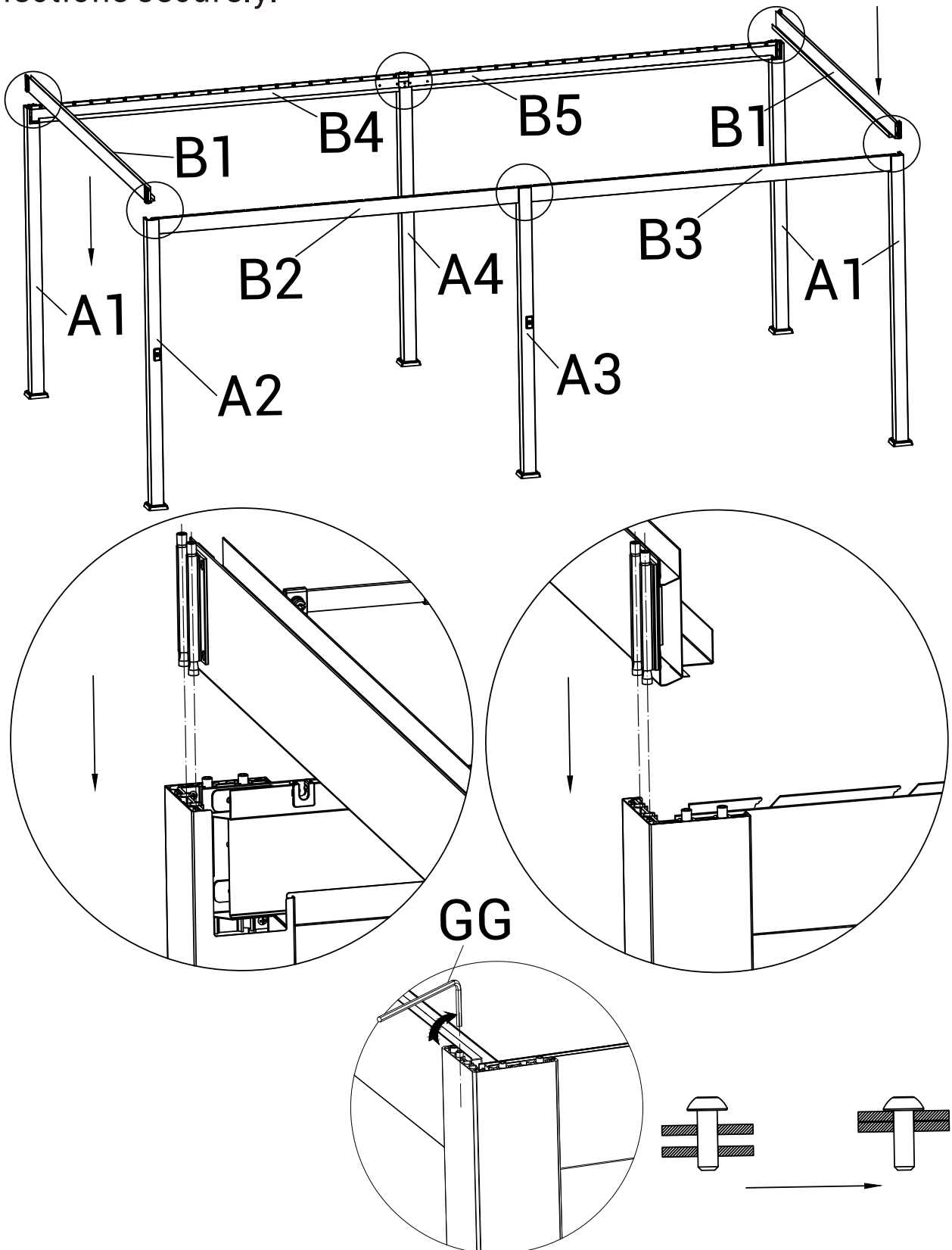
1. **First Section:** Locate the rope with the carabiner at the top of Main Pillar A2. Route the rope over the pulley above Beam B2. Attach the carabiner to the locking mechanism and secure with Screw (AA 2).
2. **Second Section:** Repeat the process for the second mechanism. Locate the rope at Middle Main Pillar A3, route it over the pulley above Beam B3, attach the carabiner, and secure with Screw (AA 2).



## Step 9: Complete the Frame

Install the Side Beams (B1) to connect the two frame assemblies together.

**Note:** Remember to fully tighten all screws at the beam-to-pillar connections securely.

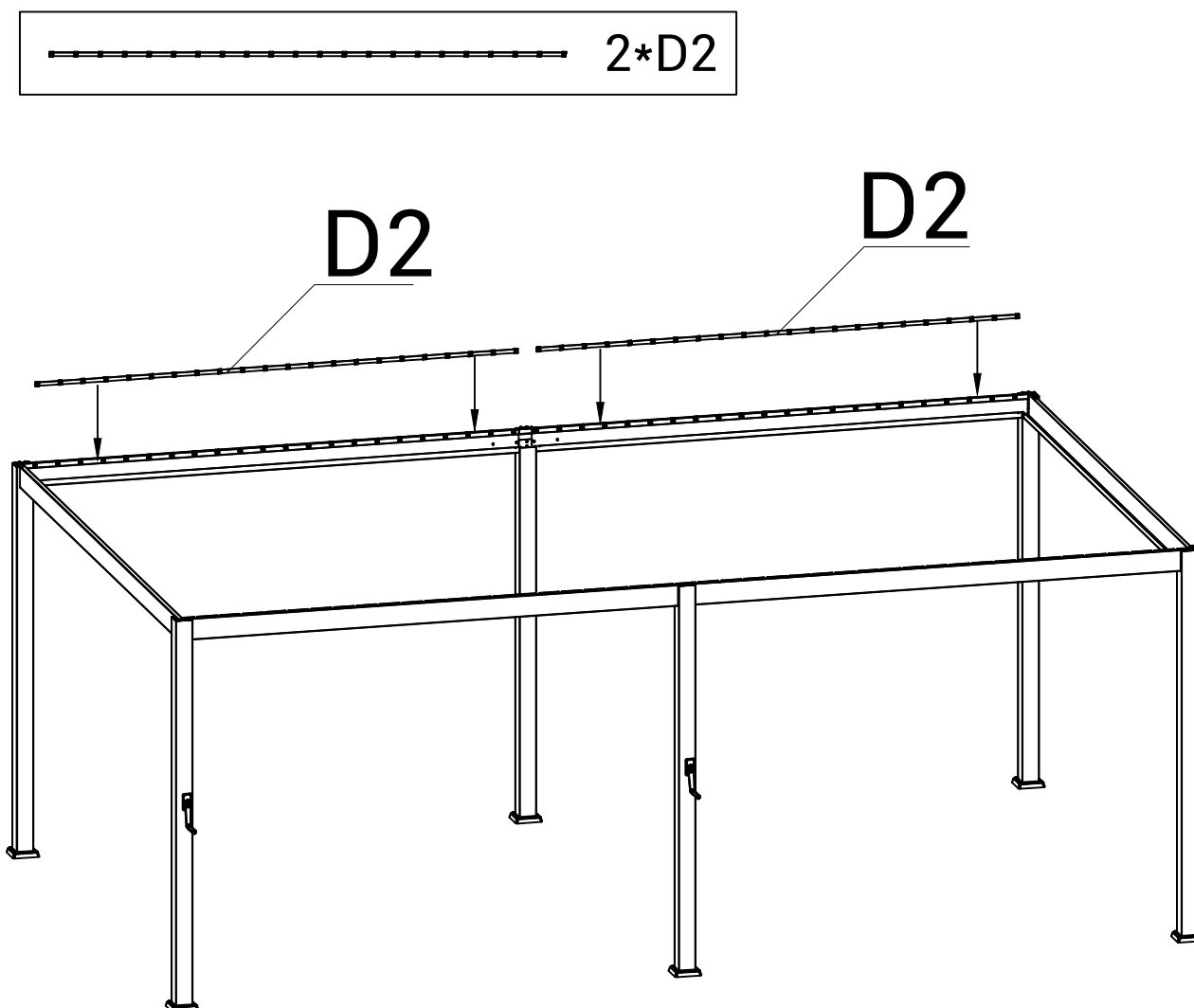


---

---

## Step 10: Attach Top Connecting Strips

Attach the remaining Connecting Strips (D2) to the Beam assembly (B4 & B5).

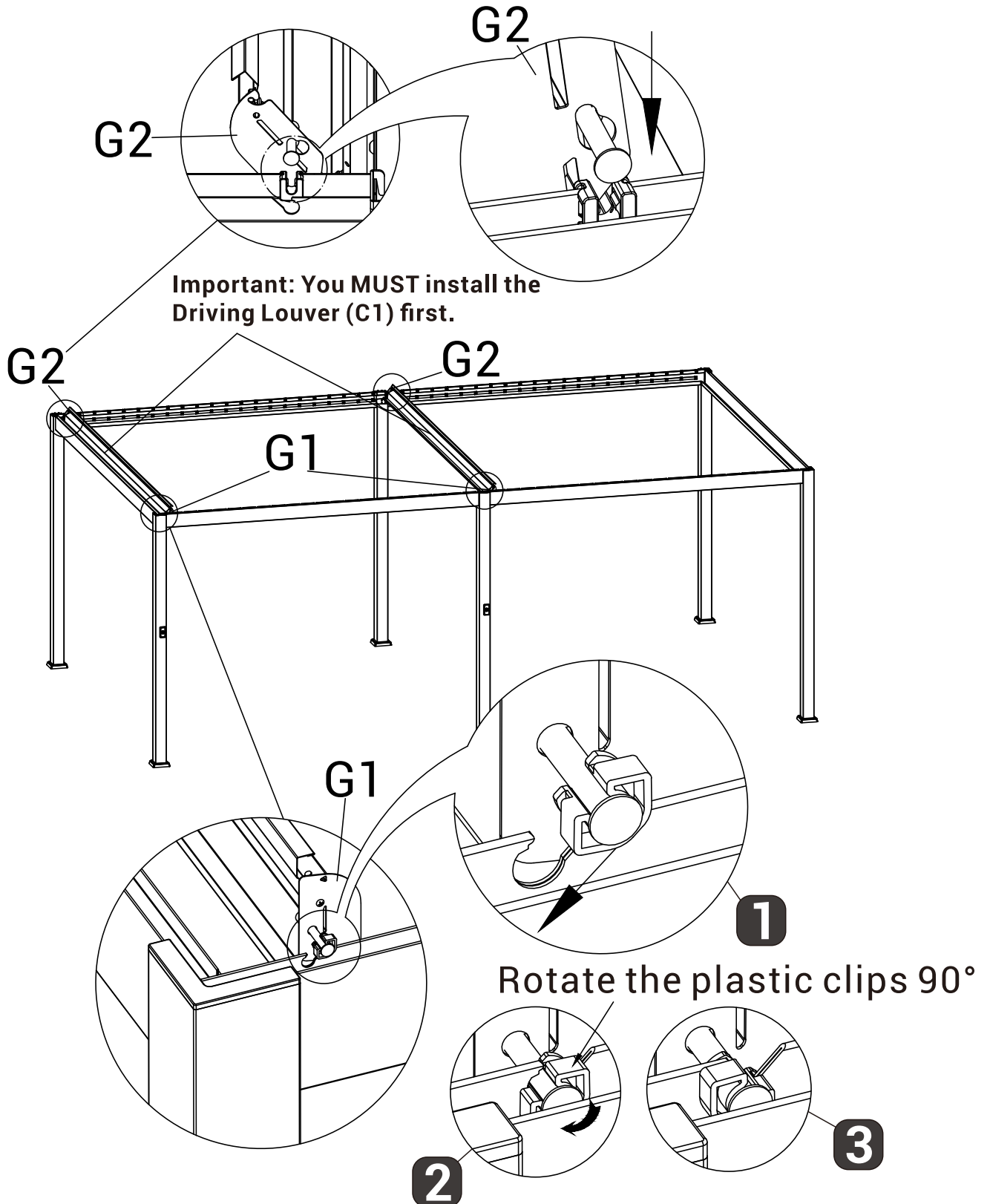


## Step 11: Install Driving Louvers (C1)

Install the two Driving Louvers (C1)—one for each bay.

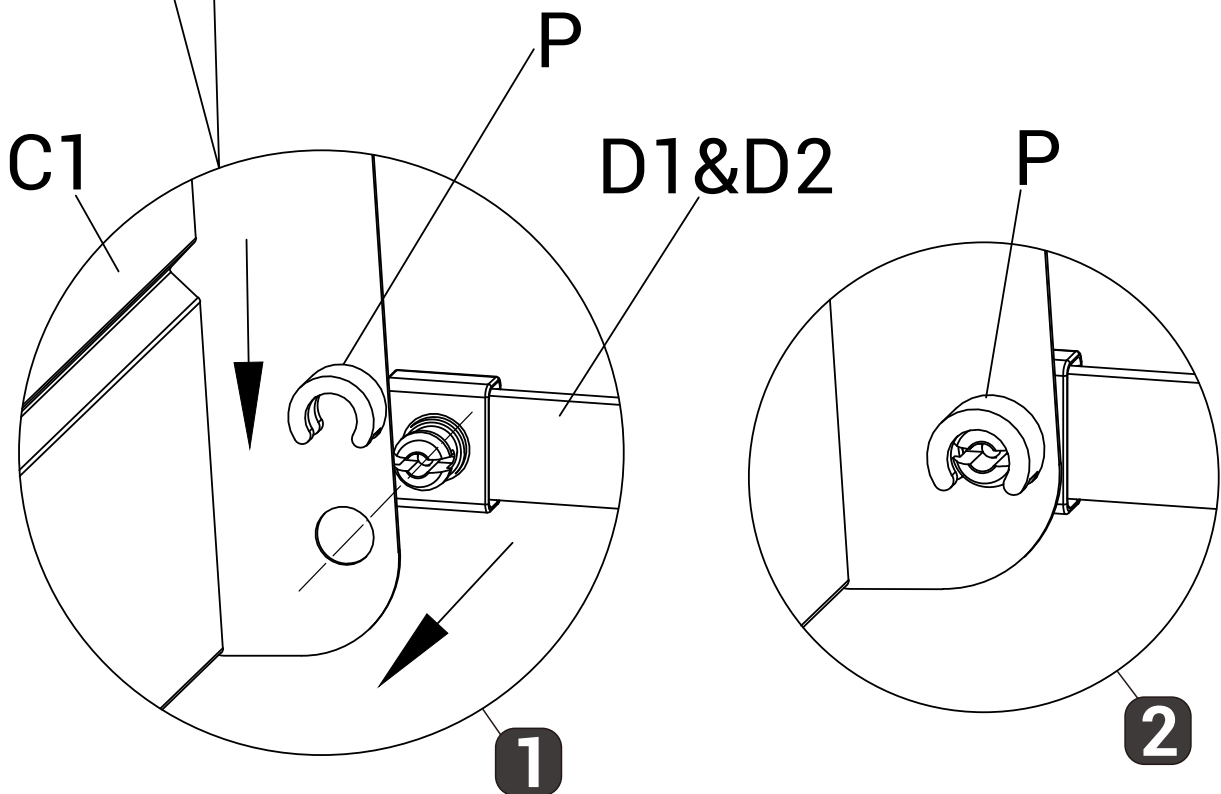
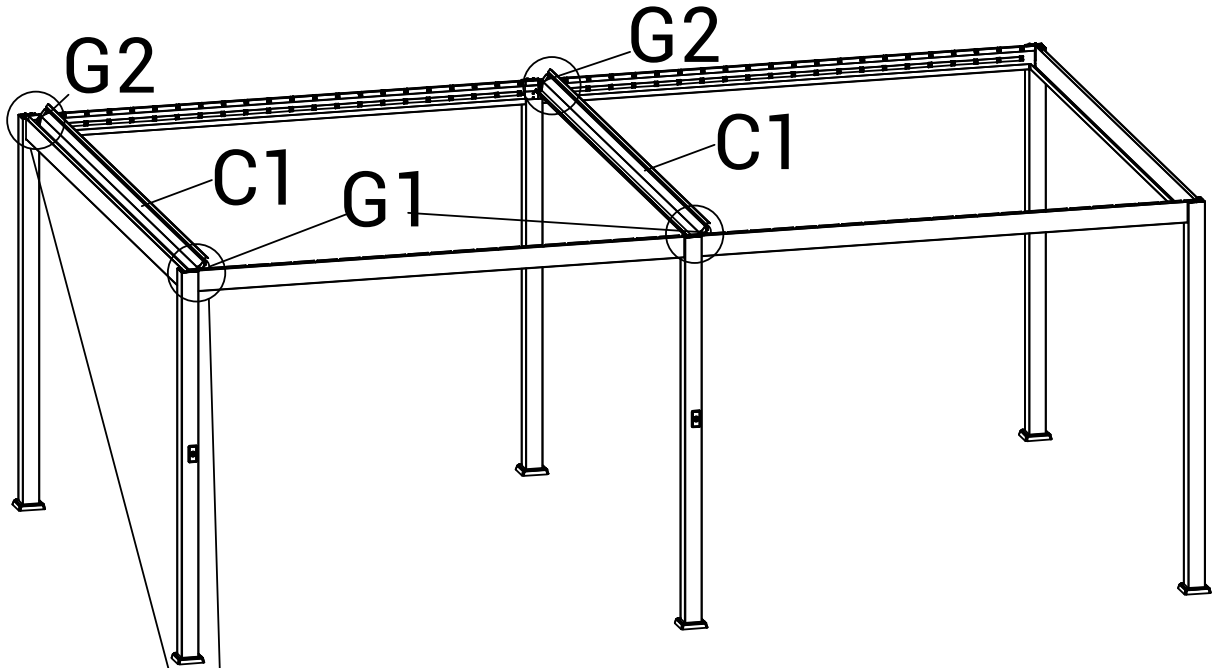
**Position:** Ensure the end with Cap G1 is positioned next to the Crank Pillars (A2 and A3).

**To Lock:** Connect the louver to the strip, then rotate the plastic clip 90° at the G1 end to secure it.



## Step 12: Secure Driving Louver

Insert the plastic pins on the Connecting Strips (D1/D2) fully through the holes at the ends of both Driving Louvers (C1). Secure them using C-Clips (P).



---

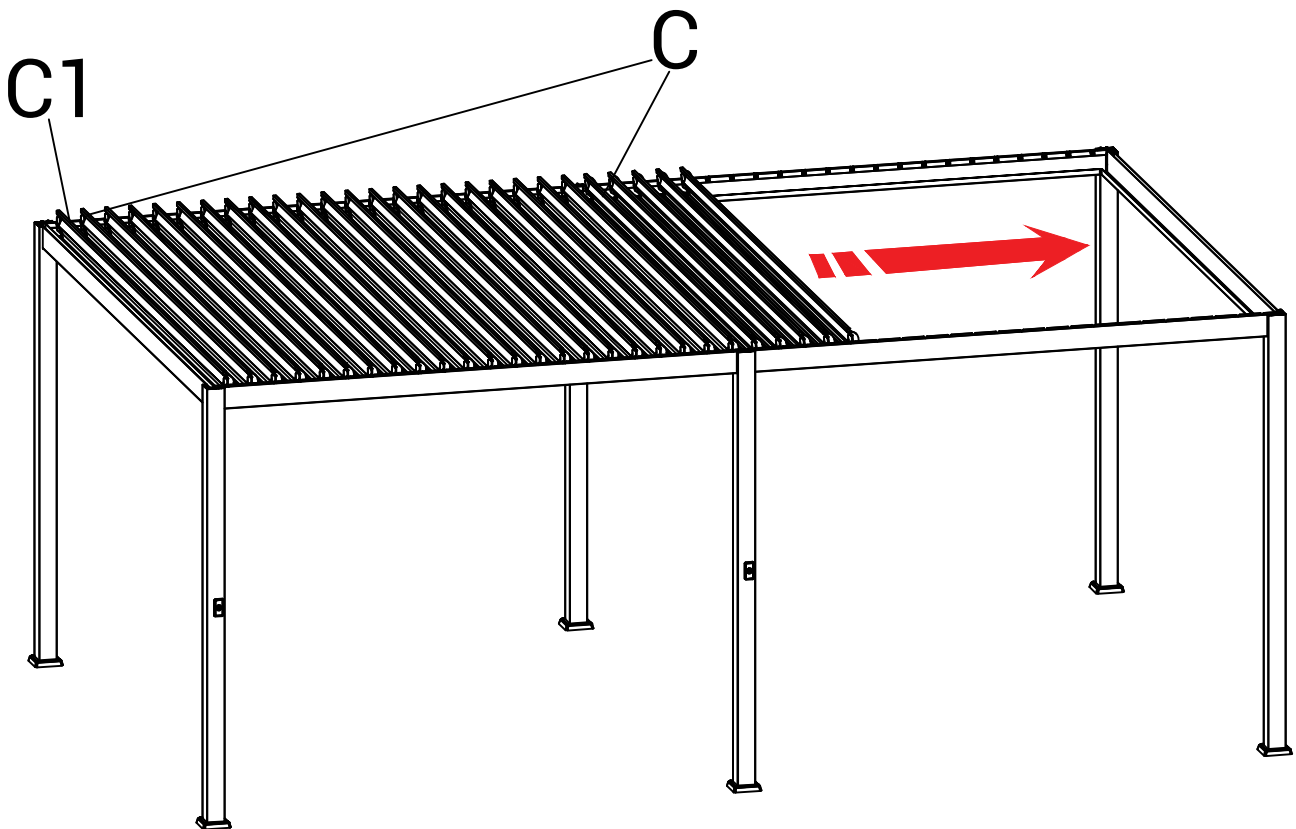
---

### Step 13: Install Remaining Louvers

Install the remaining Louvers (C). Repeat the previous steps to install all remaining louvers. Secure each one using C-Clips (P).

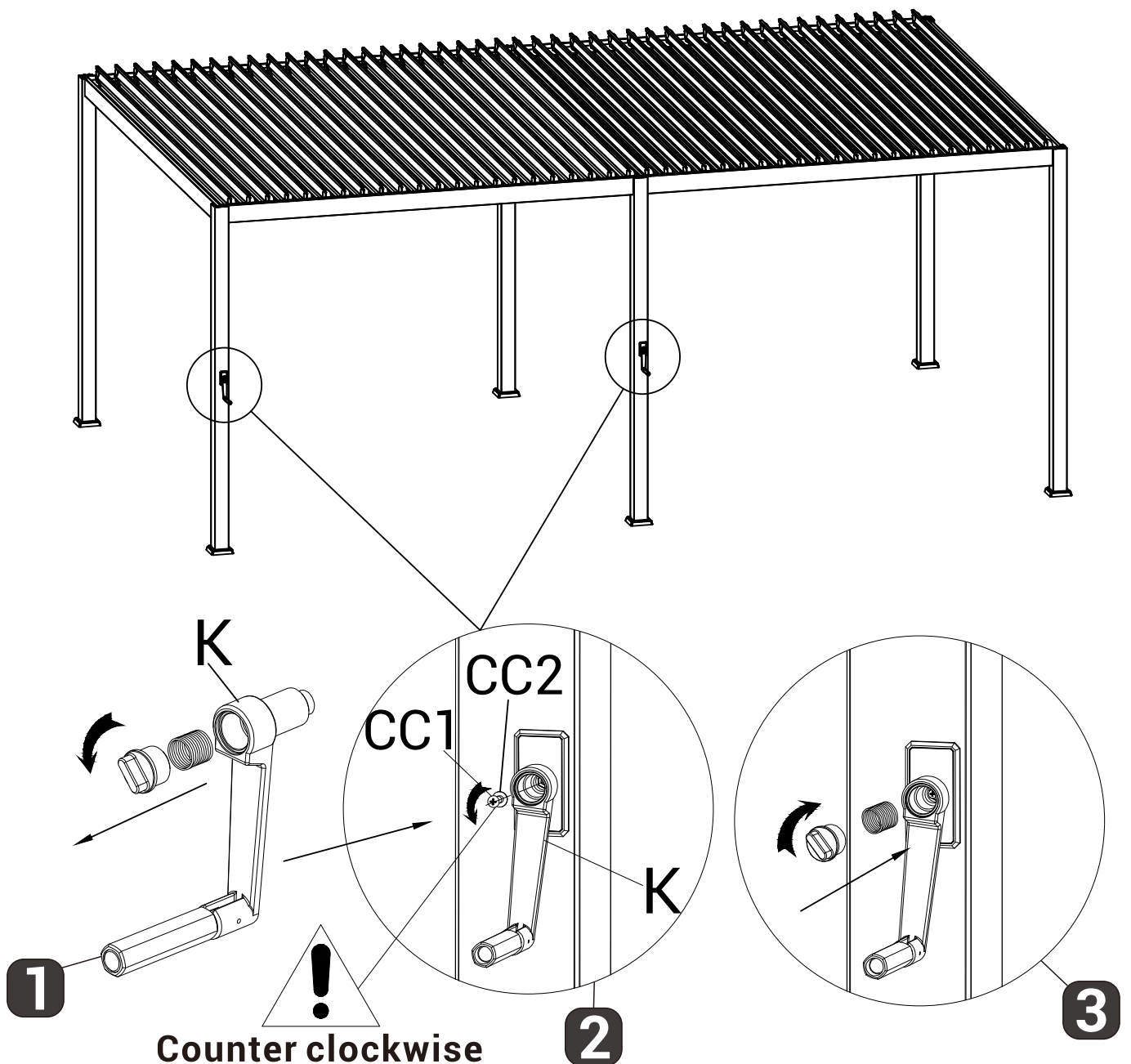
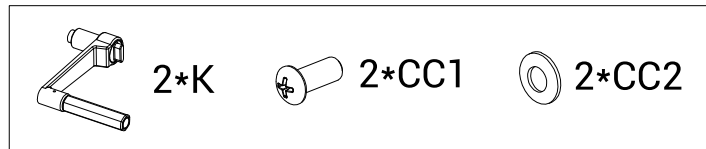


84\*P



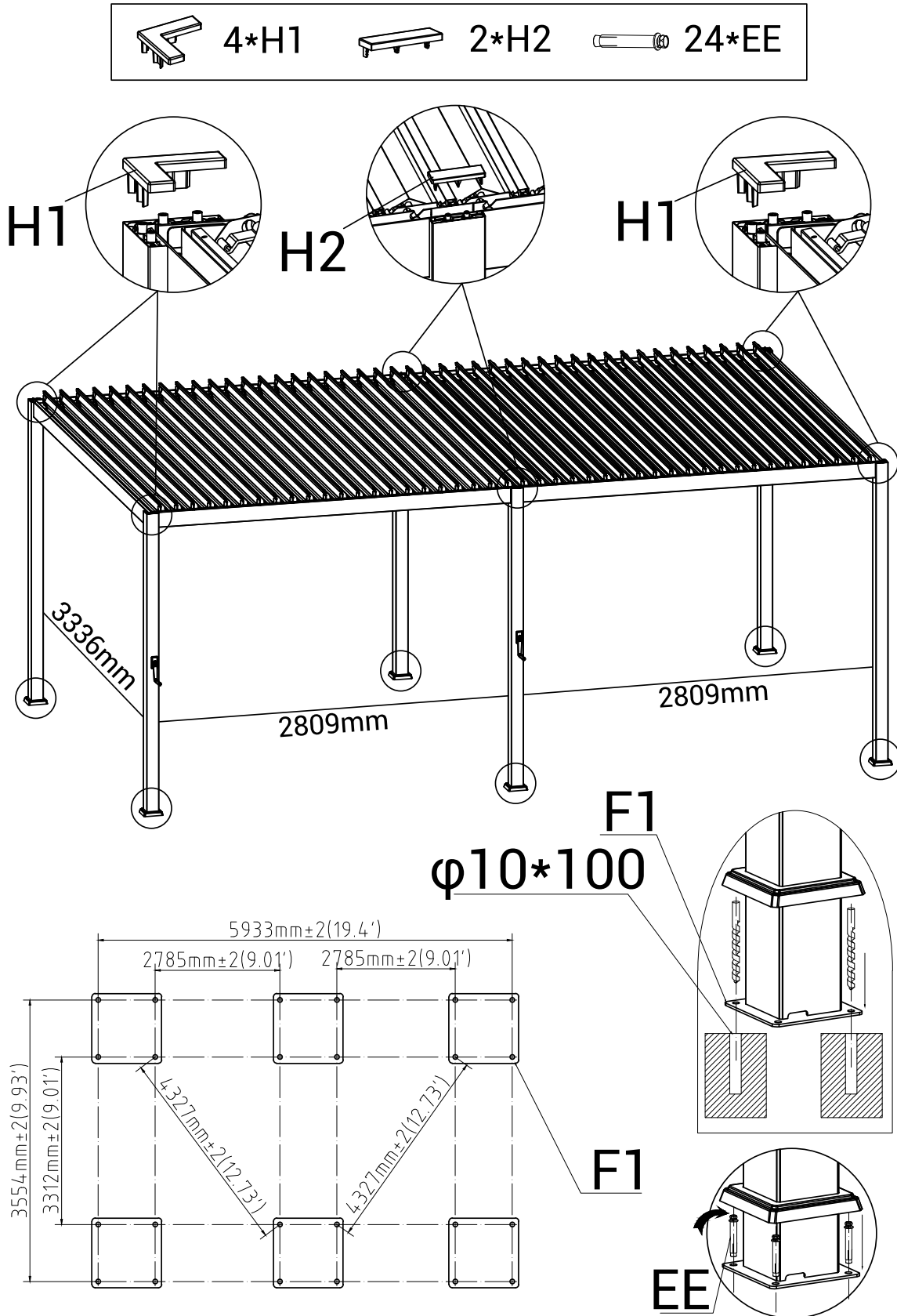
## Step 14: Install Crank Handles

1. Remove the caps from the Crank Handles (K).
2. Install one handle onto Main Pillar A2 and the other onto Middle Main Pillar A3.
3. Secure both using Screw (CC1) and Washer (CC2). **IMPORTANT:** Screw CC1 has reverse threads. Turn COUNTER-CLOCKWISE to tighten.
4. Reattach the handle caps.



## Step 15: Final Assembly

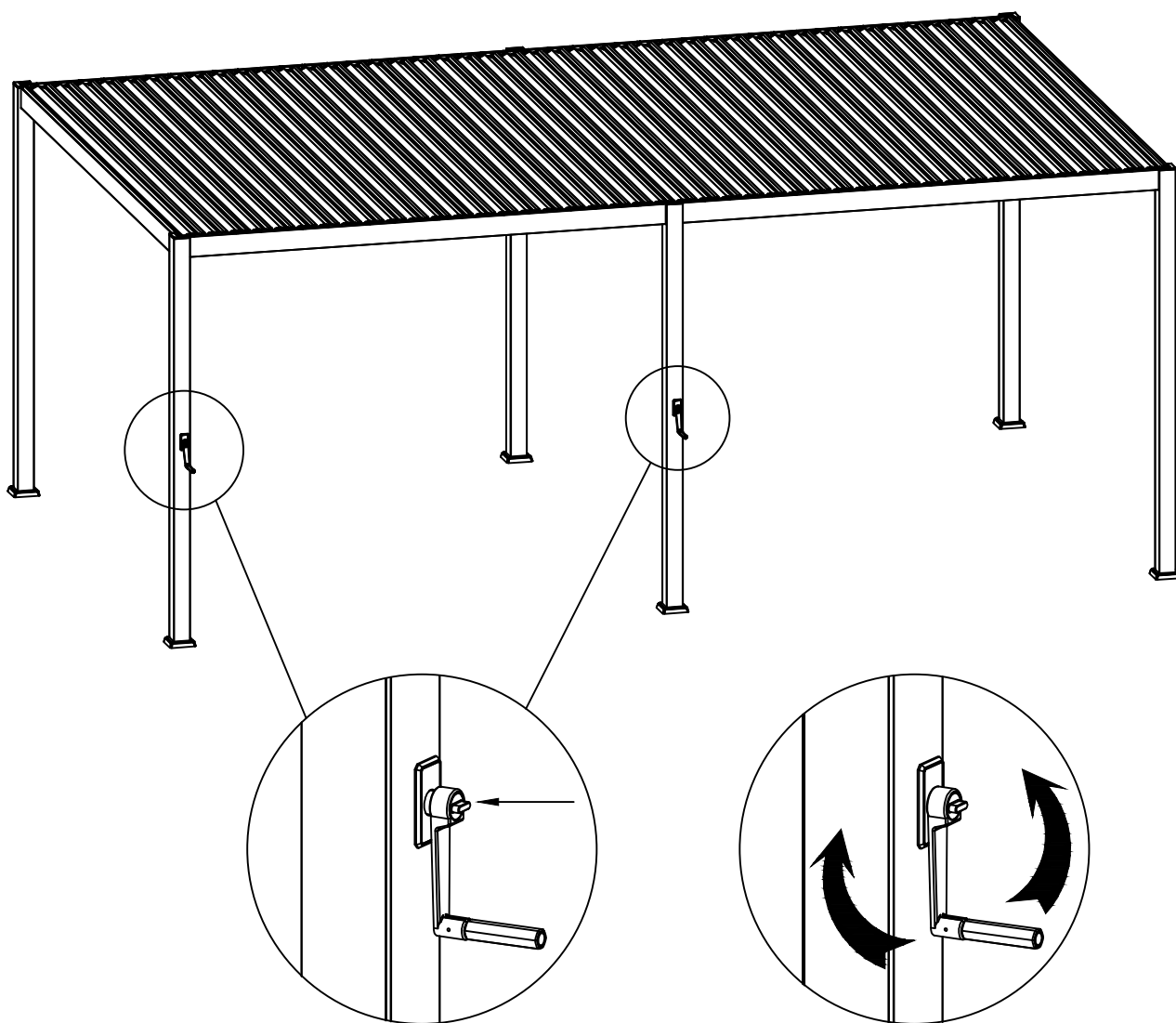
- 1. Install Pillar Covers:** Insert the Corner Pillar Covers (H1) and Middle Pillar Covers (H2) into the tops of the respective pillars.
- 2. Secure to Ground:** Drill holes through the Foot Plates (F1) using a 10mm drill bit (not included). Secure the pergola to the ground with Expansion Bolts (EE).



---

---

**WEATHER WARNING:** During strong winds or heavy snow, always keep the louvers fully OPEN to prevent damage from snow accumulation or wind resistance.



**Handle Storage:** Fold the crank handle flat against the pillar when not in use. In this position, the handle is disengaged and will not rotate the louvers.