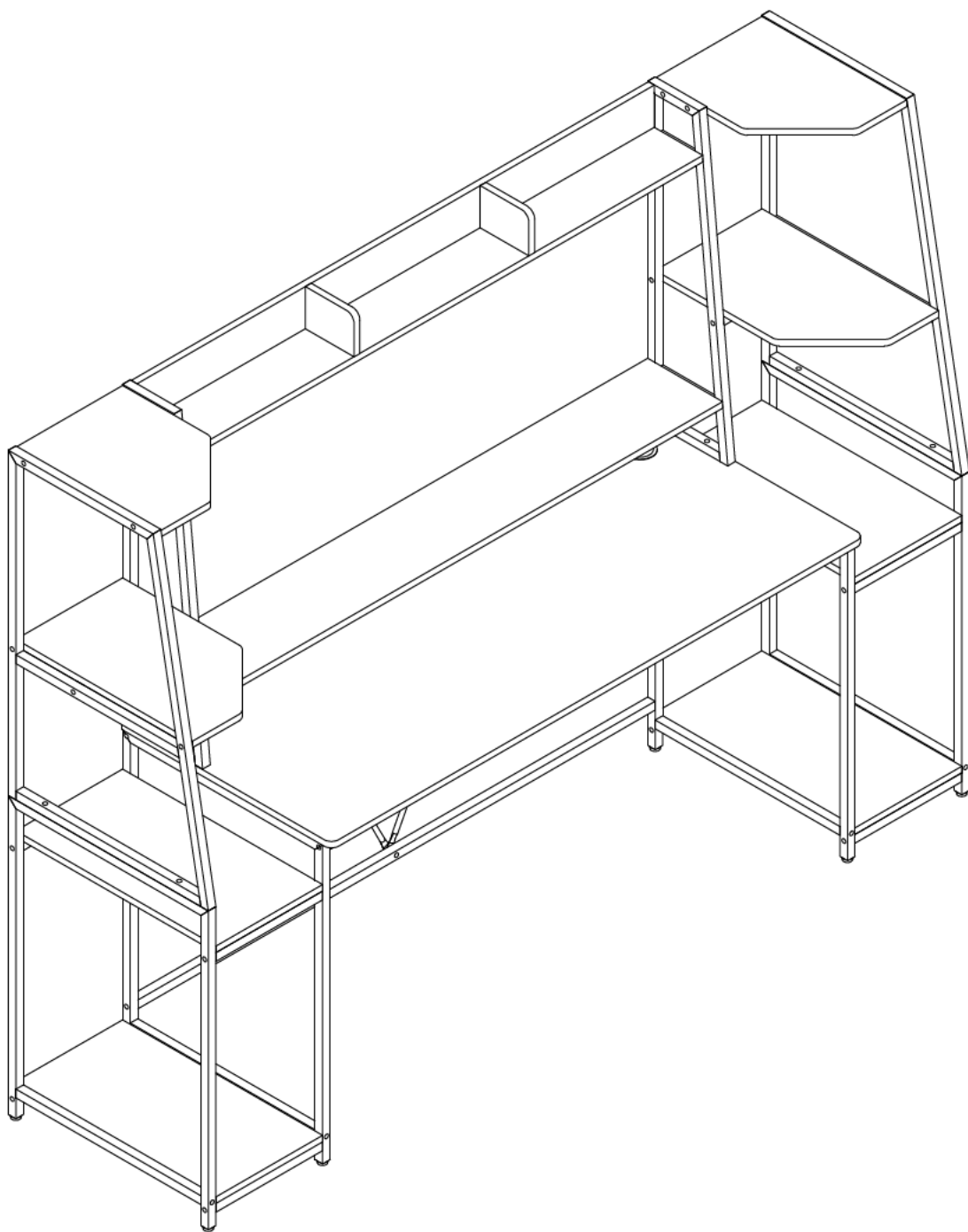
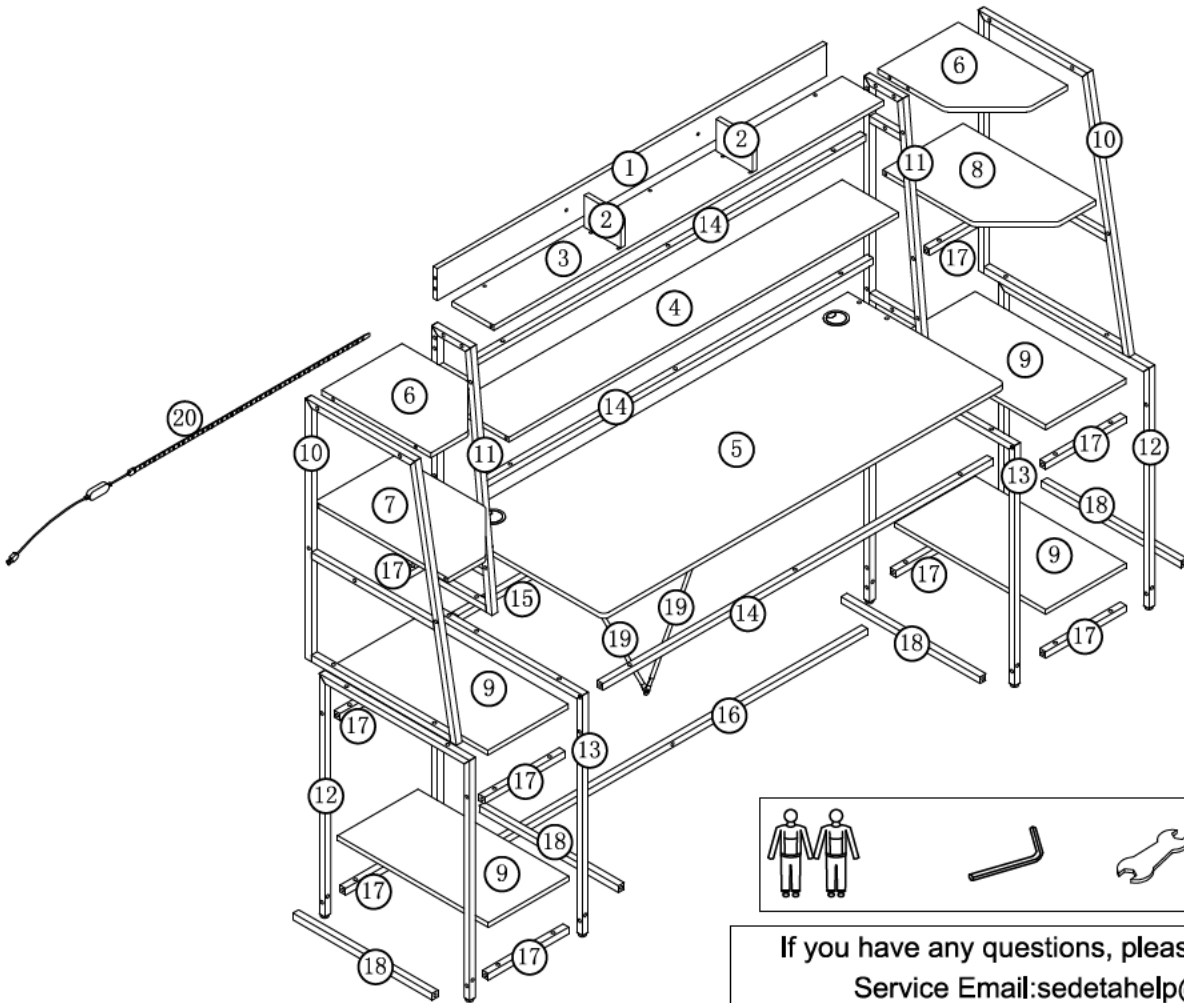


Gaming Desk

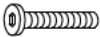
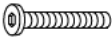
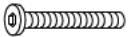
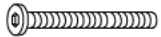





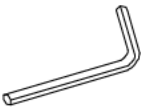


ASSEMBLY INSTRUCTION

GAUTION:When tightening the screws,tighten sequentially.
Do not tighten any screws fully and then towards the next one.
When every part is OK, then tighten all the screws.



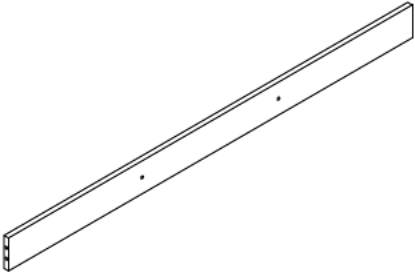
If you have any questions, please contact us
Service Email:sedetahelp@gmail.com

| | | | |
|---|--|--|---|
| <p>A M6x30mm</p>  <p>X37+1</p> | <p>B M6x40mm</p>  <p>X38+1</p> | <p>C M6x45mm</p>  <p>X4</p> | <p>D M6x60mm</p>  <p>X4</p> |
| <p>E ST7*40mm</p>  <p>X33+1</p> | <p>F M6</p>  <p>X11+1</p> | <p>G M8</p>  <p>X8</p> | <p>H Ø53</p>  <p>X2</p> |
| | |  <p>X1</p> |  <p>X1</p> |

ASSEMBLY

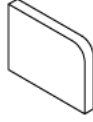
INSTRUCTION

①



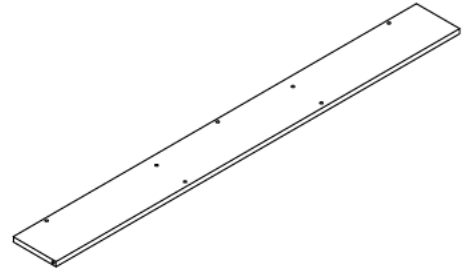
X1

②



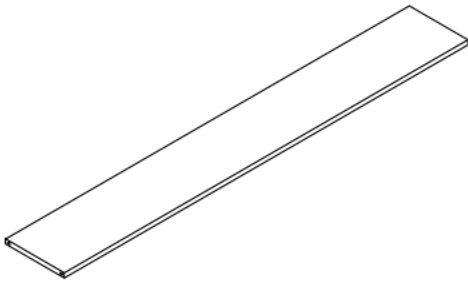
X2

③



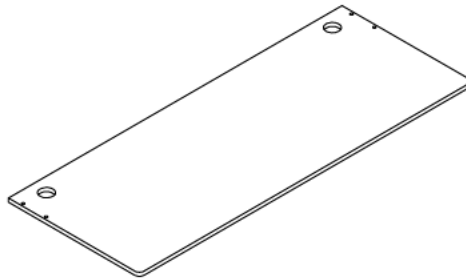
X1

④



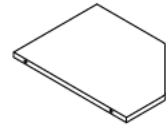
X1

⑤



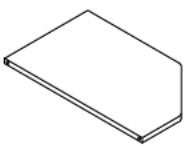
X1

⑥



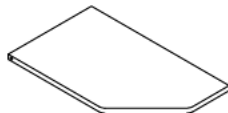
X2

⑦



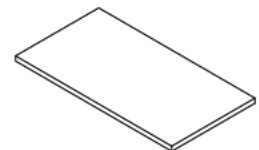
X1

⑧



X1

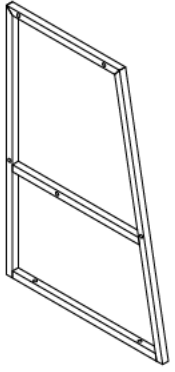
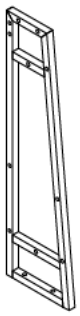
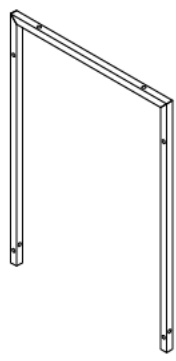
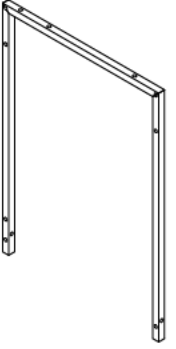
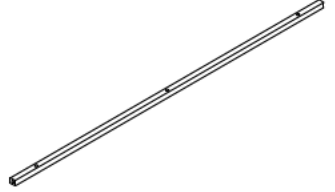
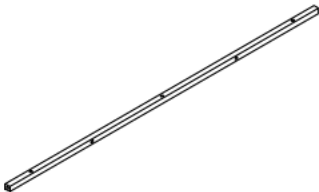
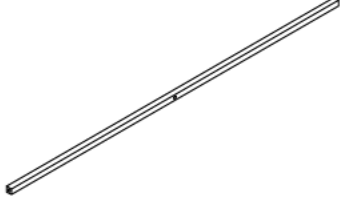



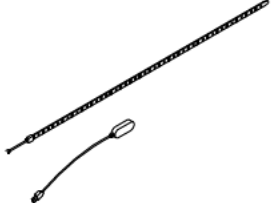
⑨

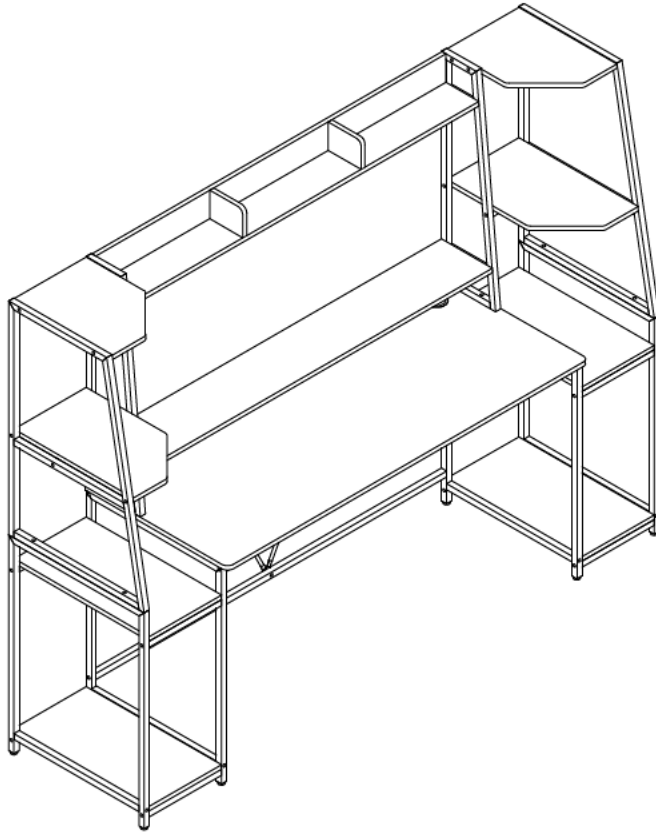


X4

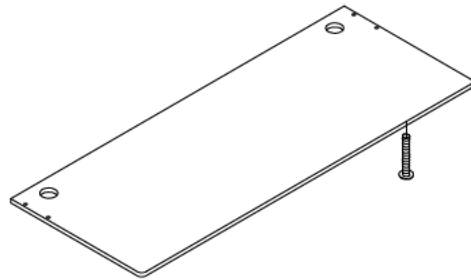
ASSEMBLY

INSTRUCTION

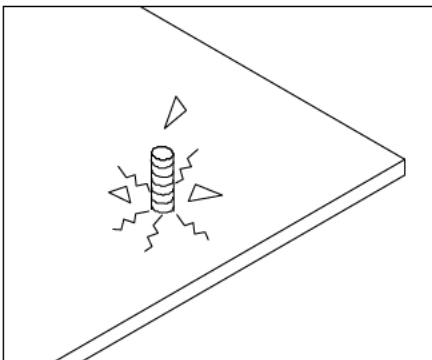
| | | | |
|---|--|---|--|
| <p>⑩</p>  <p>X2</p> | <p>⑪</p>  <p>X2</p> | <p>⑫</p>  <p>X2</p> | |
| <p>⑬</p>  <p>X2</p> | <p>⑭</p>  <p>X3</p> | <p>⑮</p>  <p>X1</p> | <p>⑯</p>  <p>X1</p> |
| <p>⑰</p>  <p>X10</p> | <p>⑱</p>  <p>X4</p> | <p>⑲</p>  <p>X2</p> | <p>⑳</p>  <p>X1</p> |



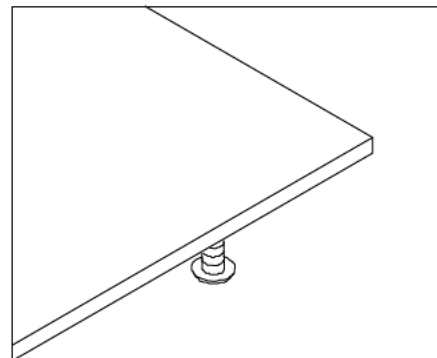
1. Matters needing attention



Be sure to use the proper screws to avoid damaging the parts



Wrong screws can cause the plank to crack

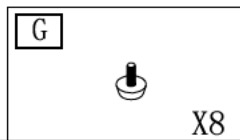
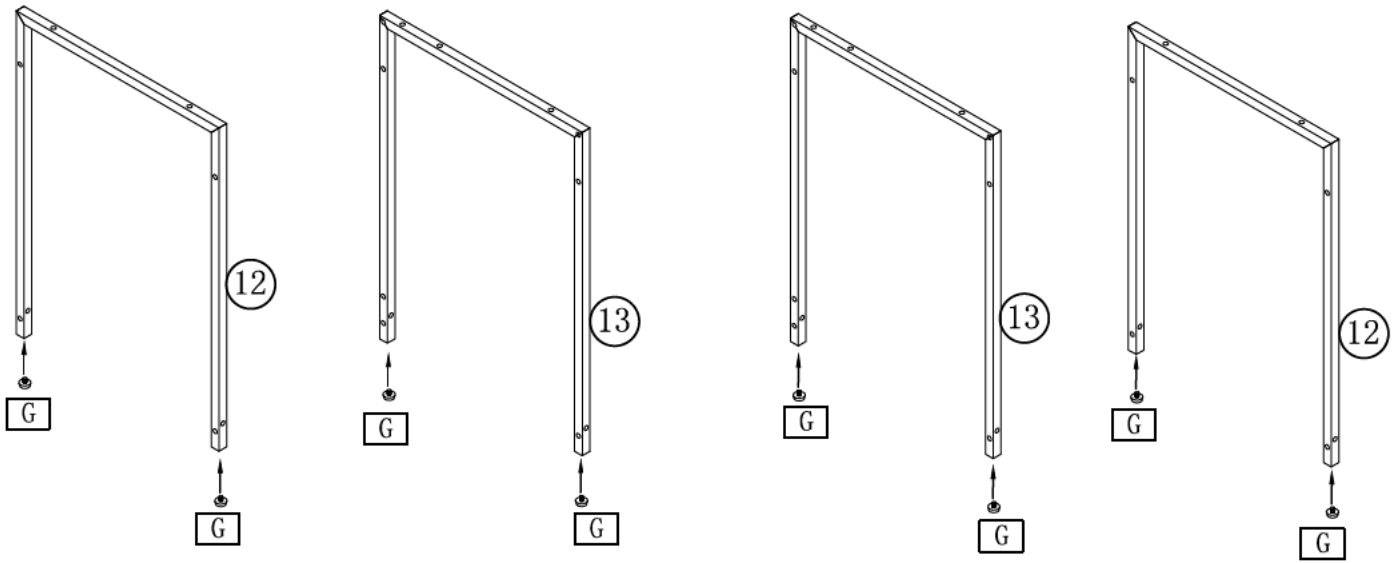


The right screw is the right size

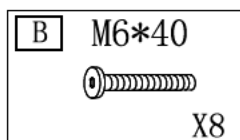
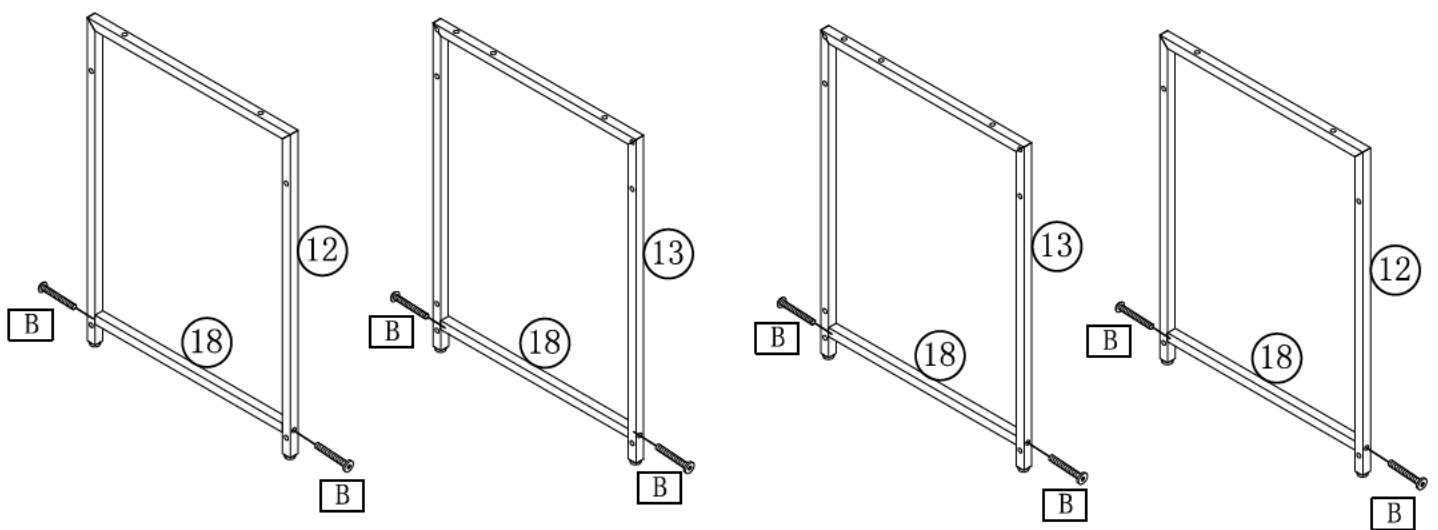
ASSEMBLY

INSTRUCTION

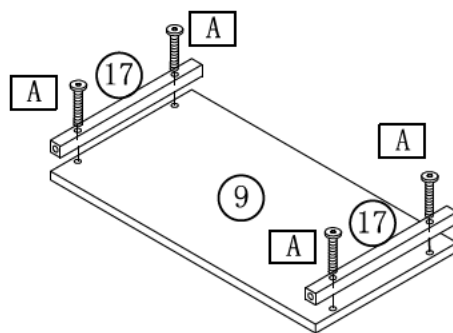
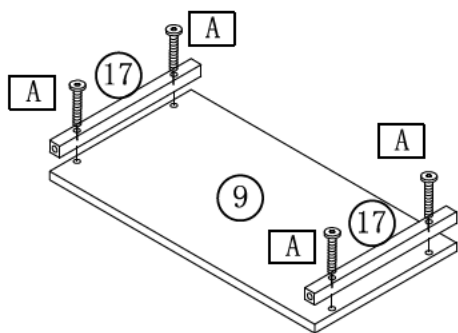
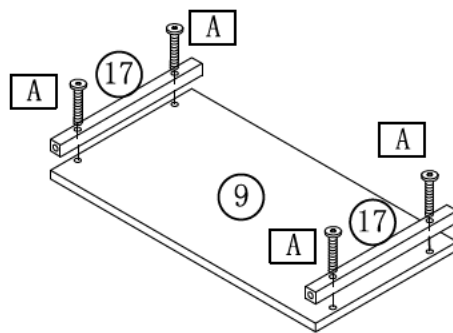
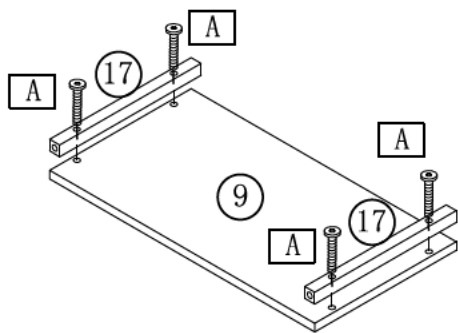
STEP 1




STEP 2

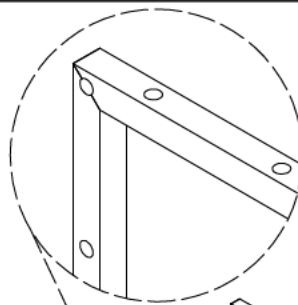
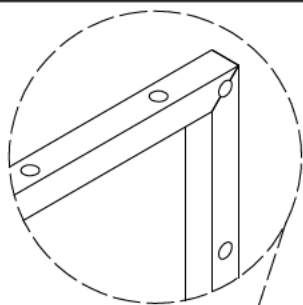


STEP 3

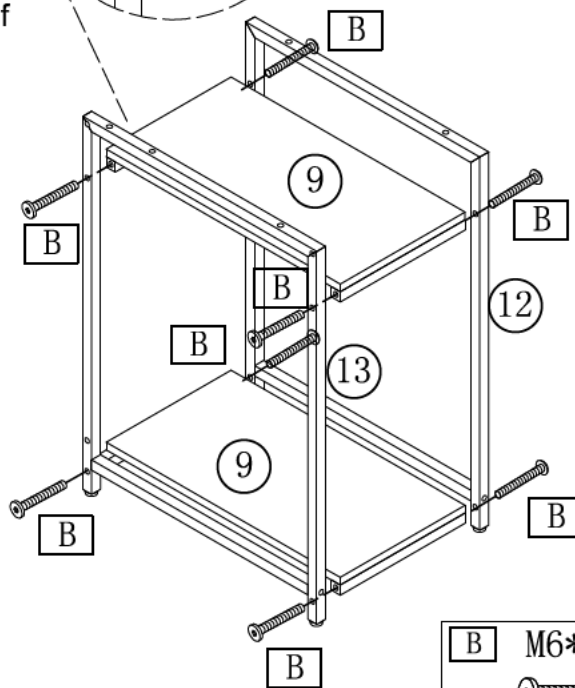
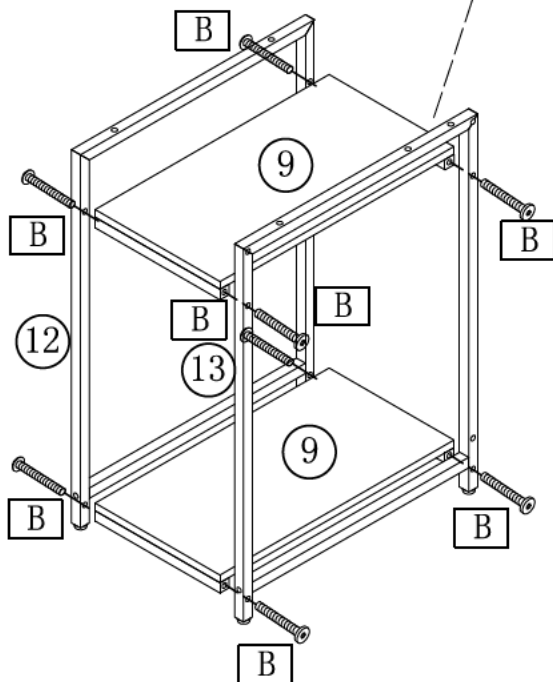



A M6*30

X16

STEP 4



Pay attention to the orientation of the holes

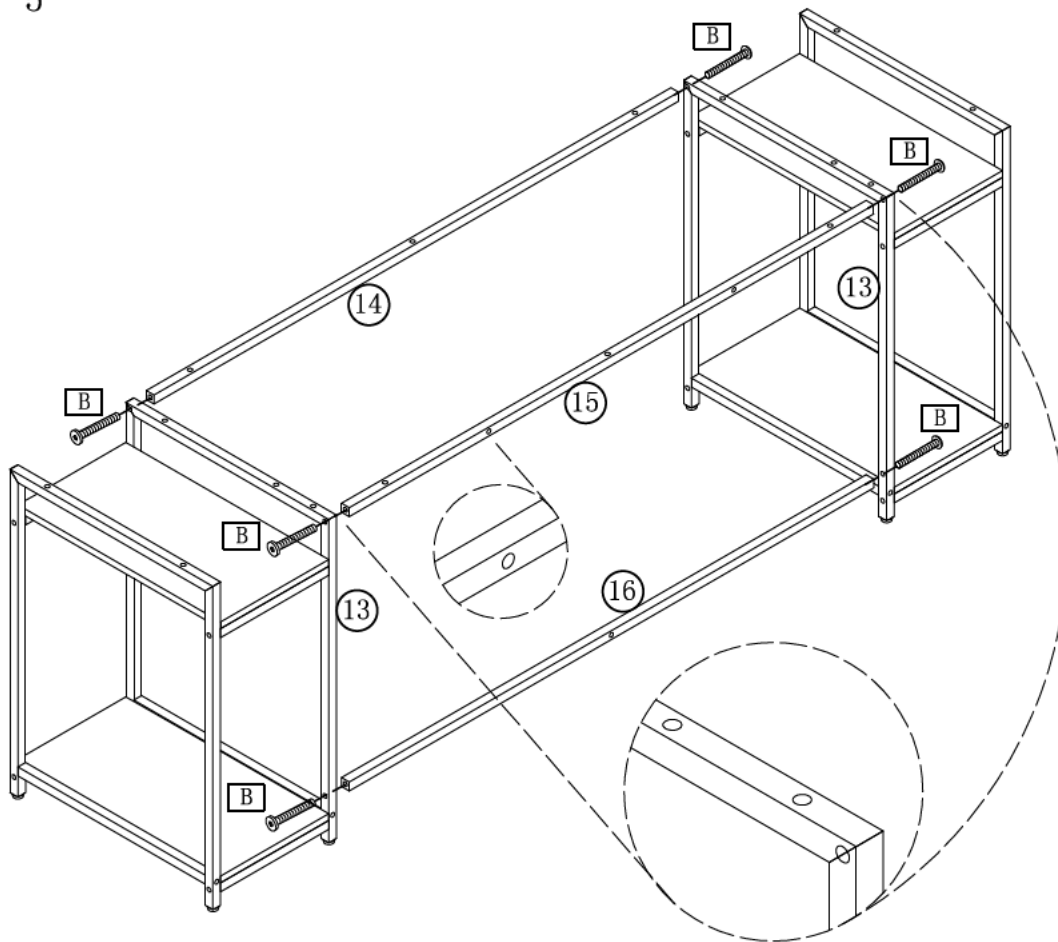


B M6*40

X16

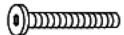
ASSEMBLY

INSTRUCTION

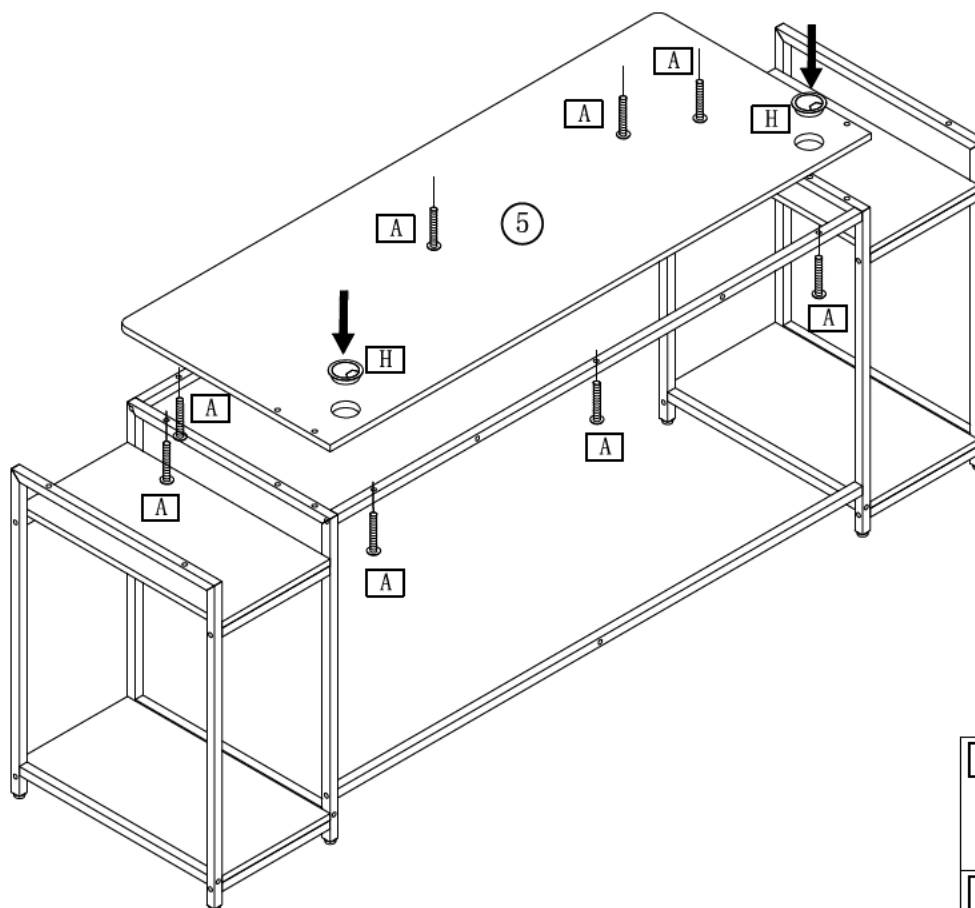
STEP 5

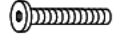



Pay attention to the orientation of the holes

| | |
|---|-------|
| B | M6*40 |
|  | X6 |

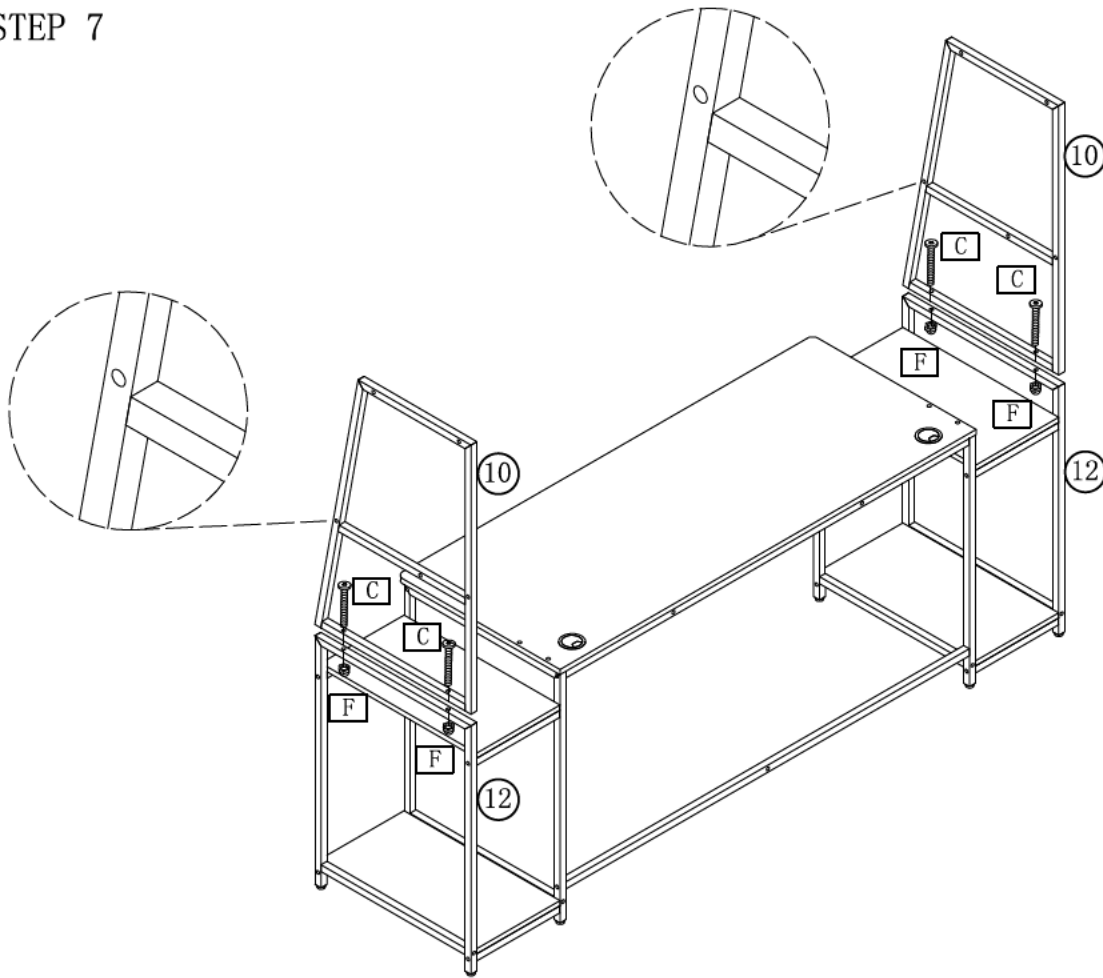
STEP 6

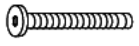



| | |
|---|---|
| A | M6*30 |
|  | X8 |
| H |  |
| | X2 |

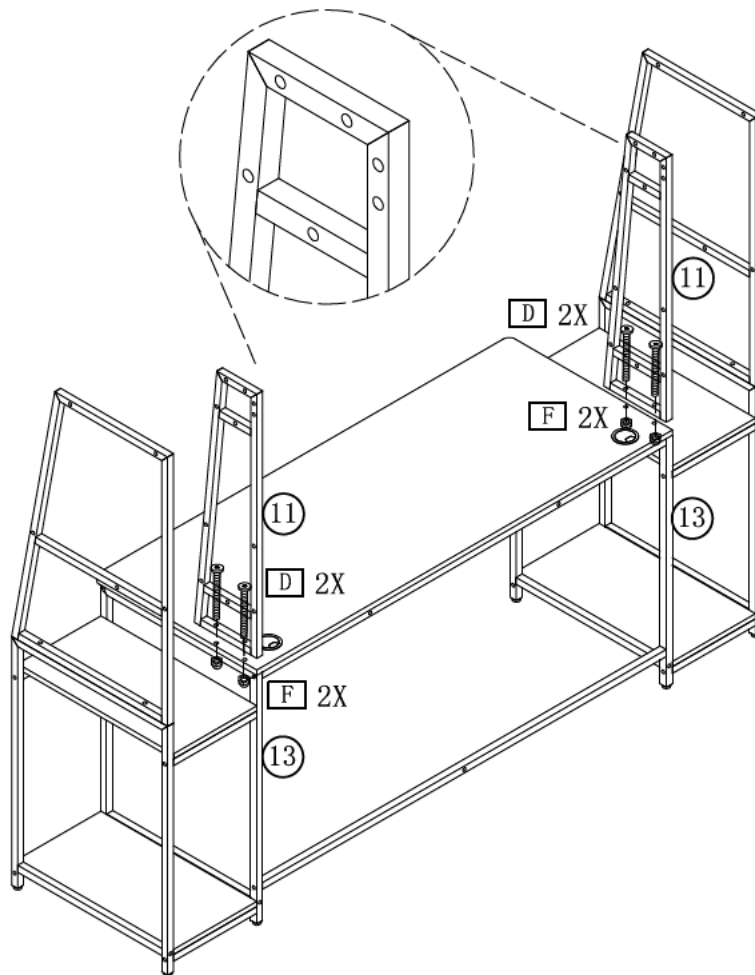
ASSEMBLY INSTRUCTION



STEP 7



| | |
|----------|---|
| C | M6*45 |
| |  |
| | X4 |
| F | M6 |
| |  |
| | X4 |

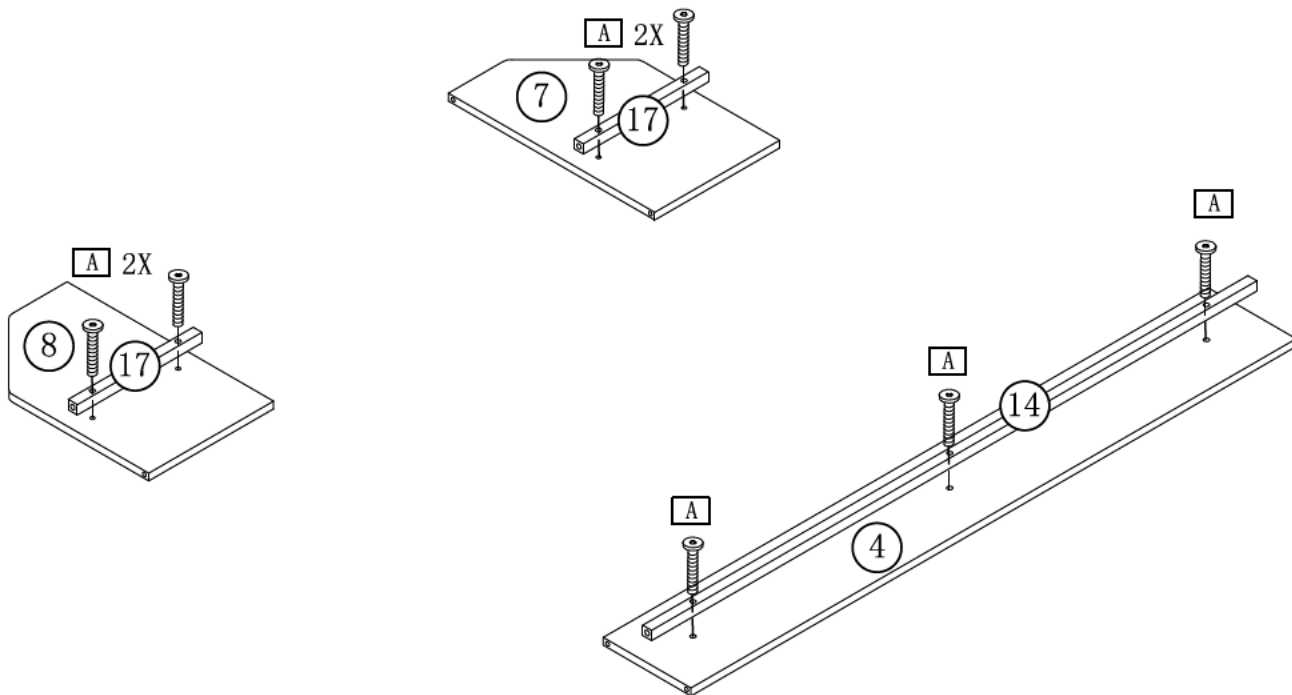
STEP 8




| | |
|----------|---|
| D | M6*60 |
| |  |
| | X4 |
| F | M6 |
| |  |
| | X4 |

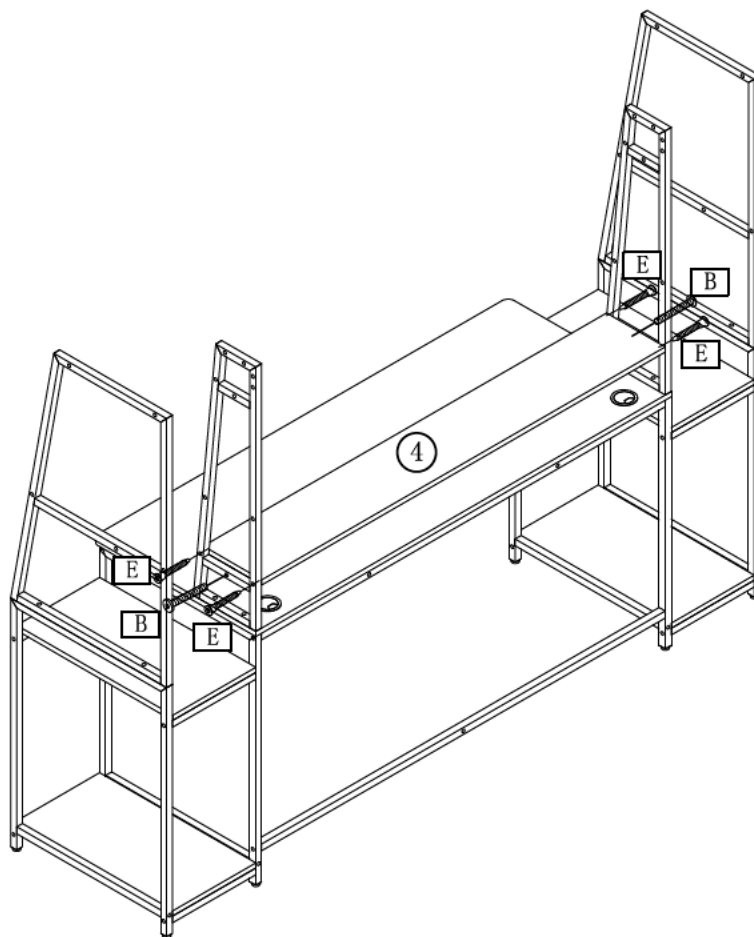
ASSEMBLY INSTRUCTION



STEP 9



| | |
|---|-------|
| A | M6*30 |
|  | X7 |

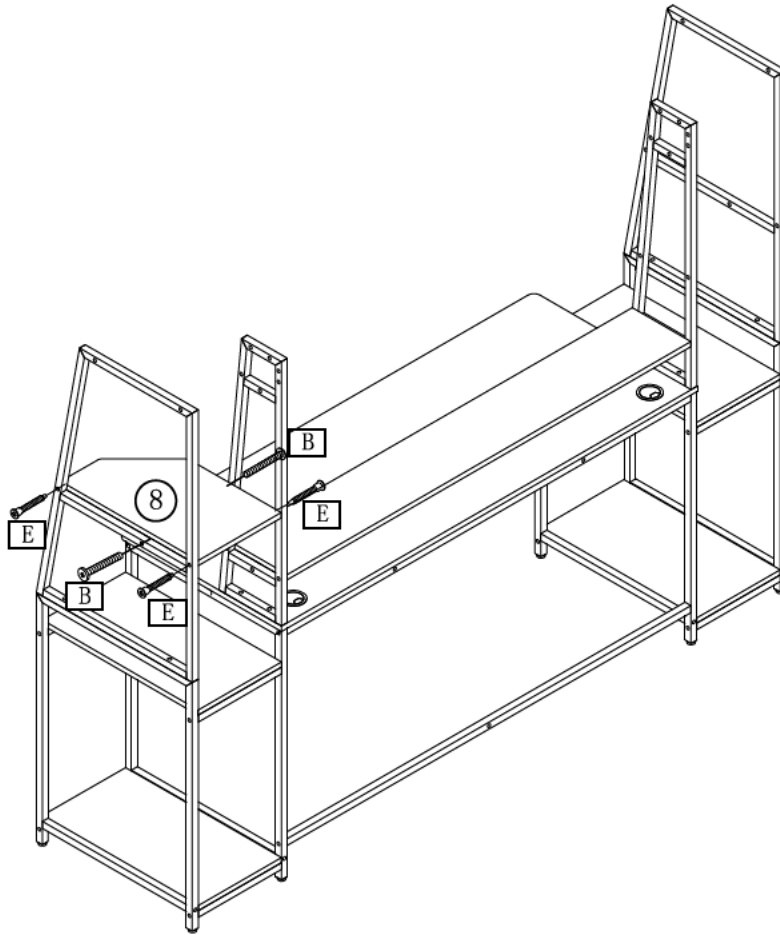
STEP 10

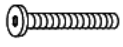
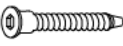


| | |
|---|--------|
| B | M6*40 |
|  | X2 |
| E | ST7*40 |
|  | X4 |

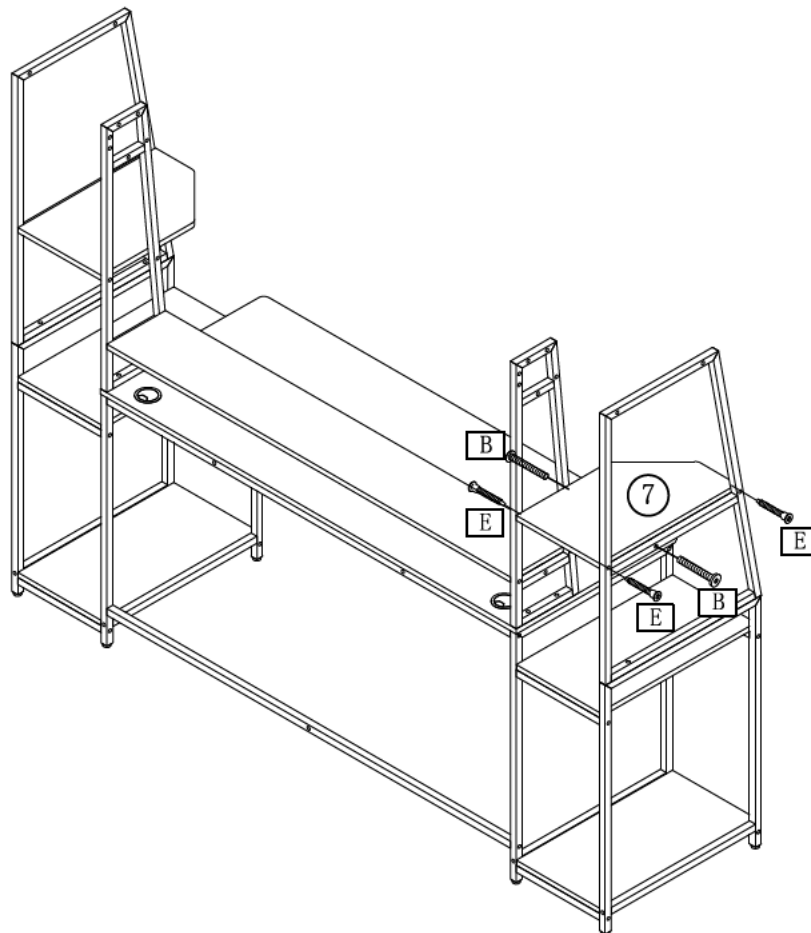
ASSEMBLY INSTRUCTION



STEP 11



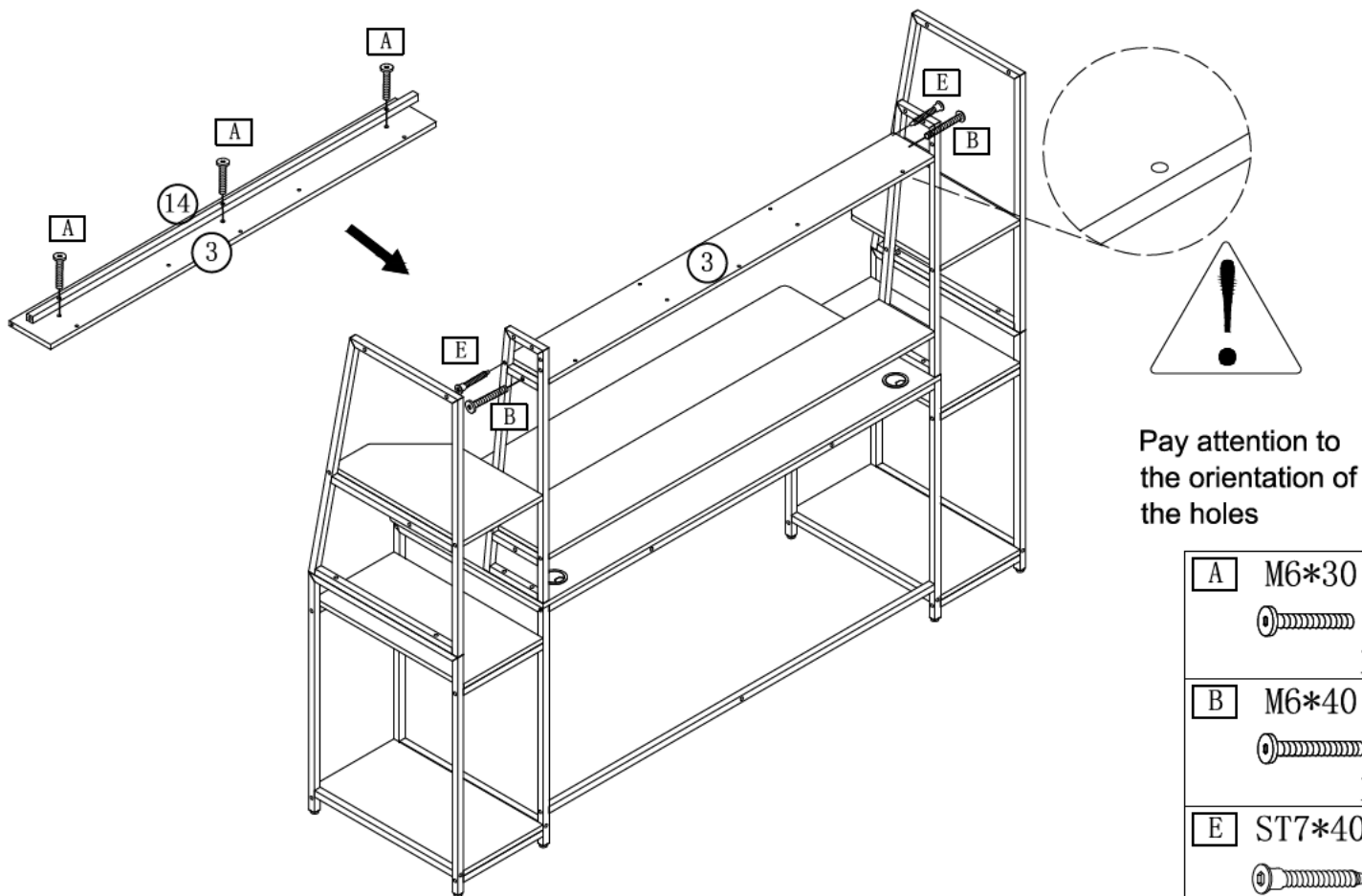
| | |
|---|--------|
| B | M6*40 |
|  | X2 |
| E | ST7*40 |
|  | X3 |

STEP 12

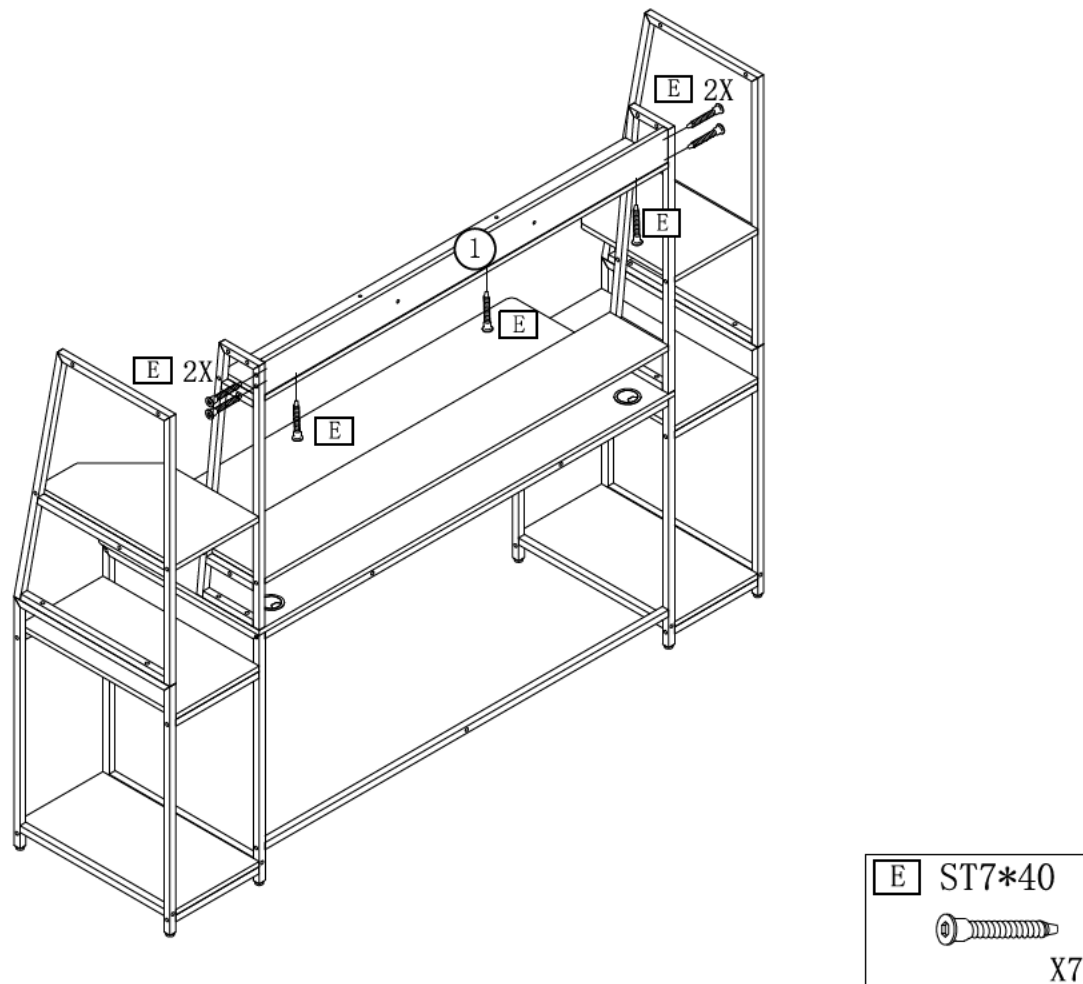


| | |
|---|--------|
| B | M6*40 |
|  | X2 |
| E | ST7*40 |
|  | X3 |

STEP 13

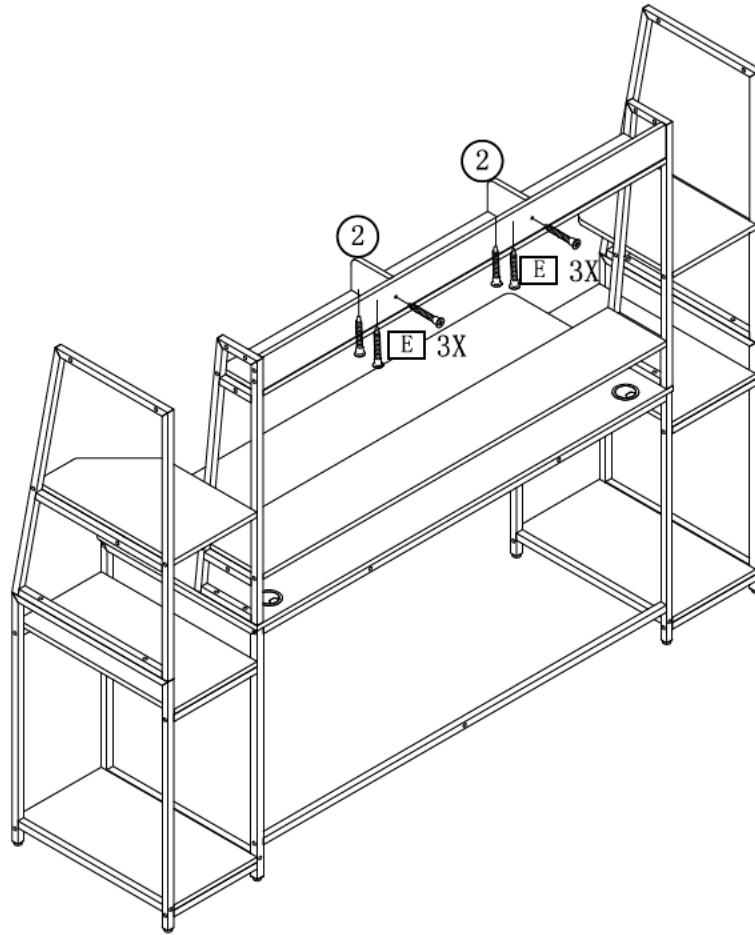


STEP 14



ASSEMBLY INSTRUCTION

STEP 15

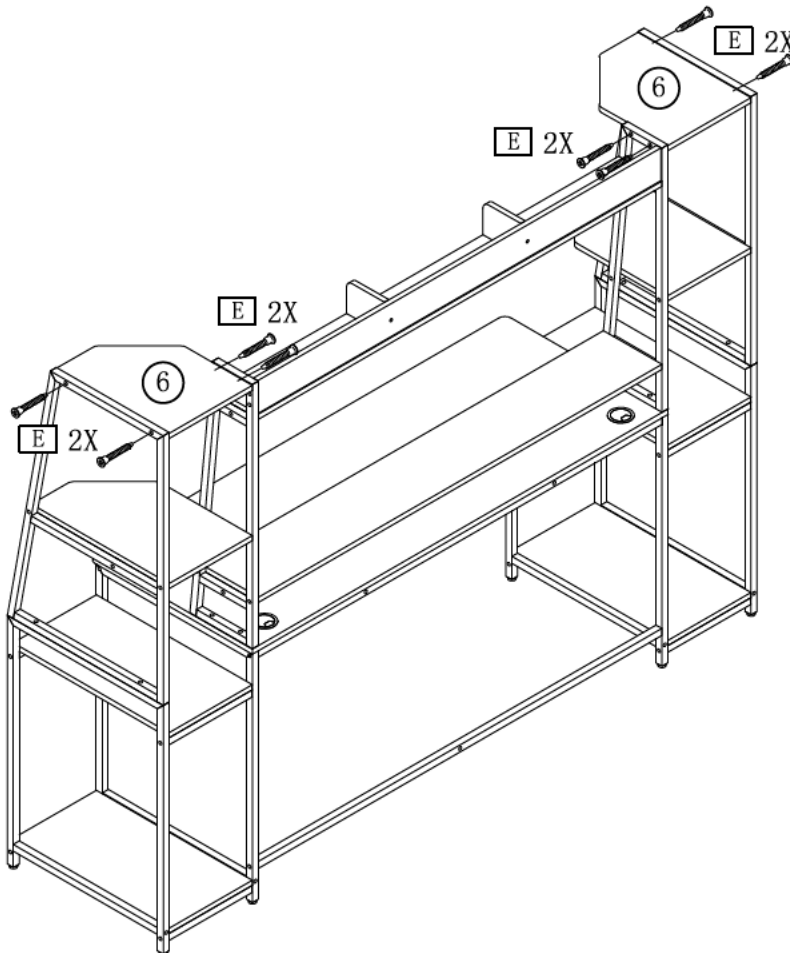


E ST7*40



X6

STEP 16



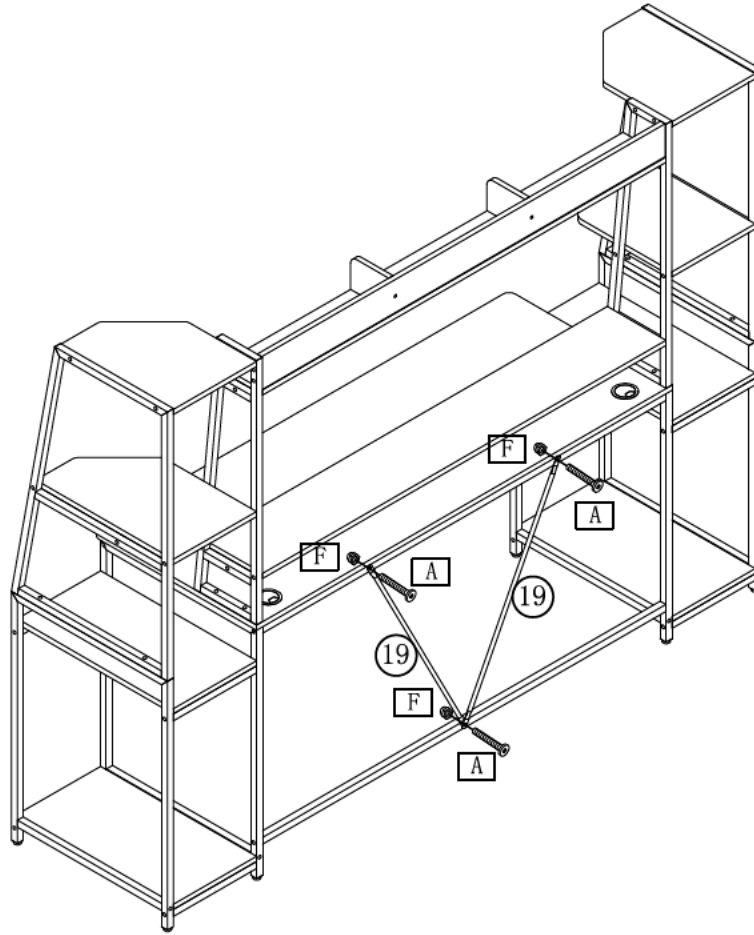
E ST7*40





X8

ASSEMBLY INSTRUCTION

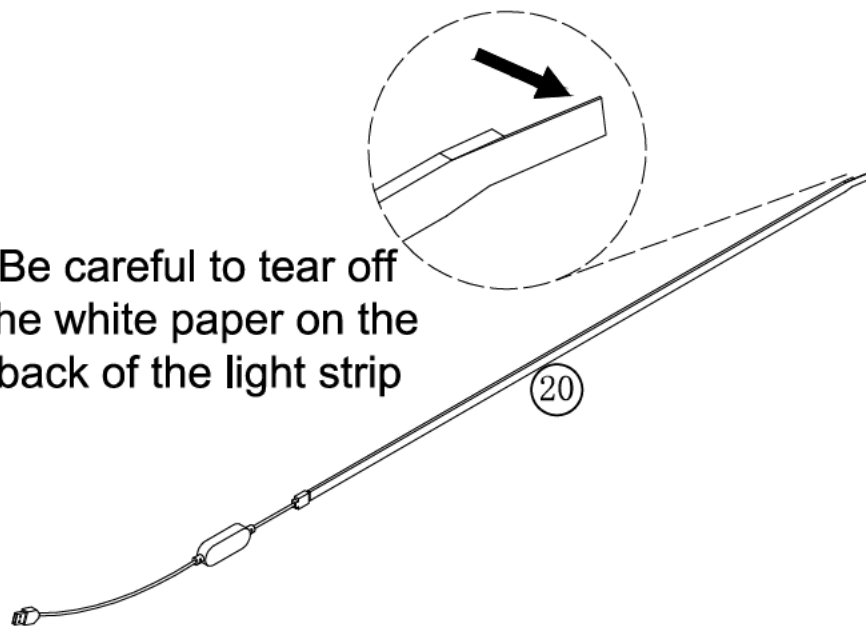
STEP 17



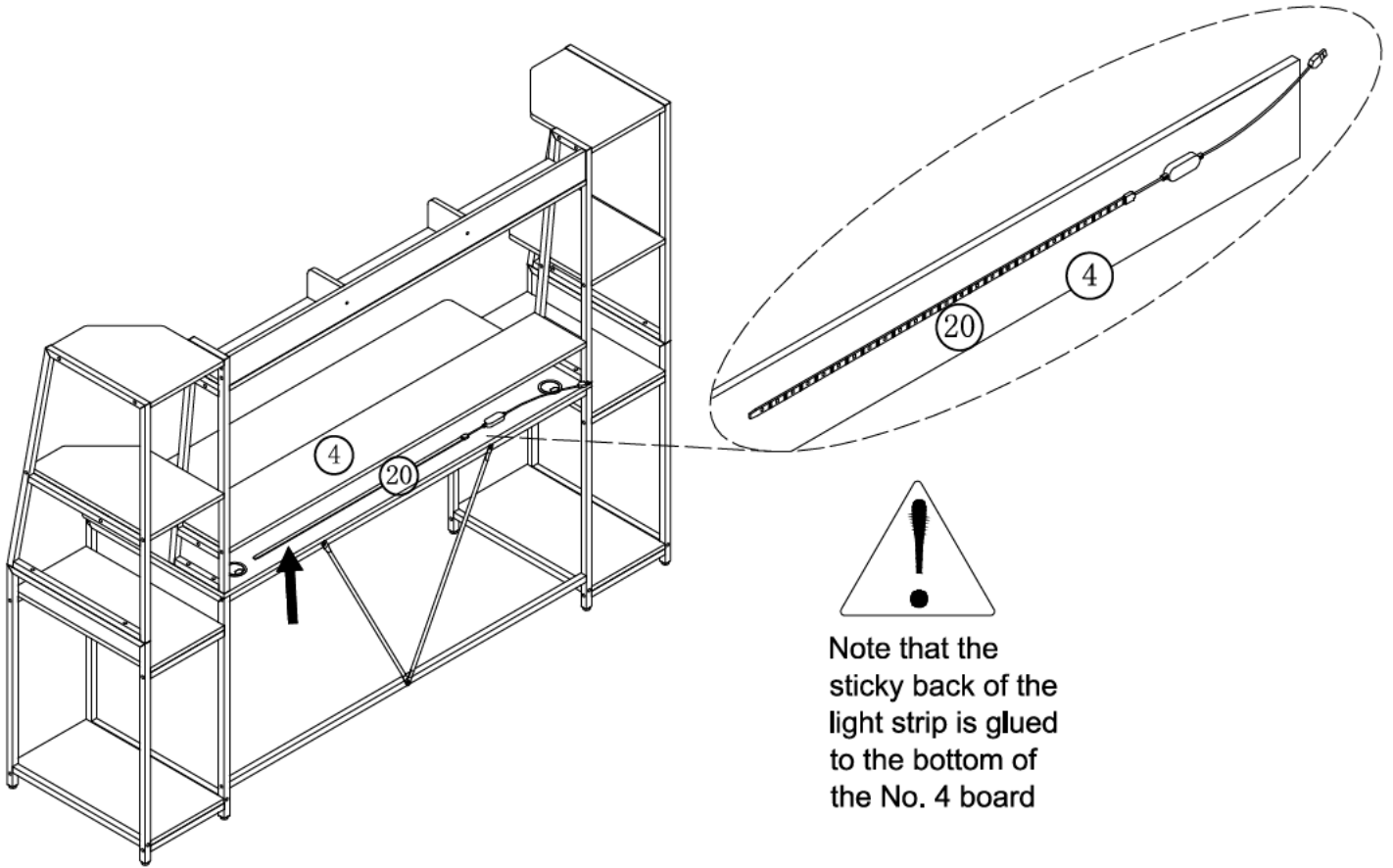
| | |
|---|-------|
| A | M6*30 |
|  | X3 |
| F | M6 |
|  | X3 |

STEP 18

Be careful to tear off
the white paper on the
back of the light strip



STEP 19



STEP 20

