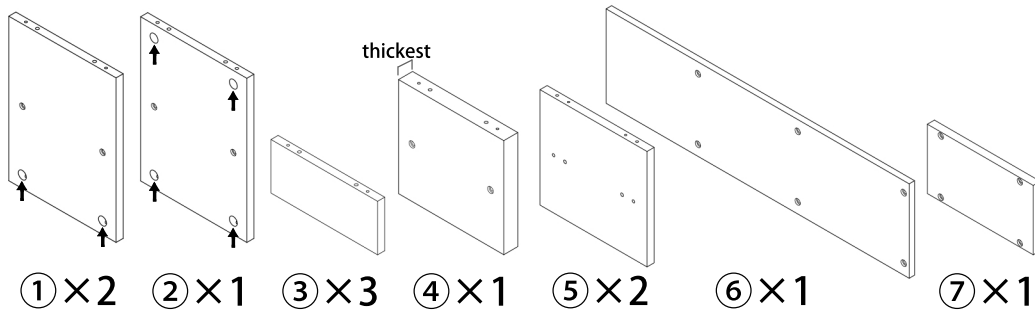


# ASSEMBLY INSTRUCTION

Note the location of the screw holes.



Hardware Parts



A × 18



B × 4



C × 16



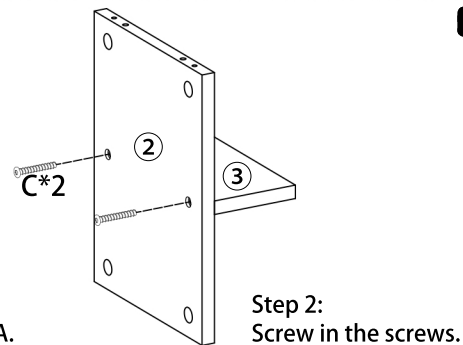
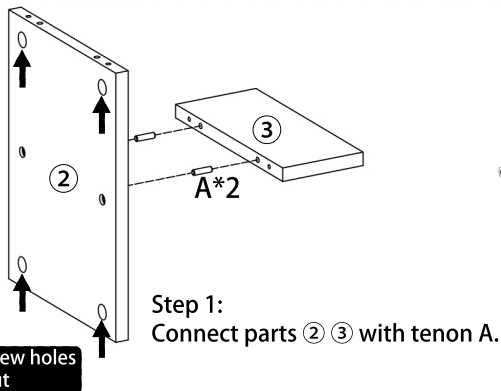
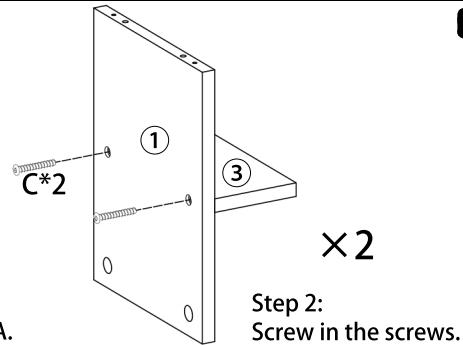
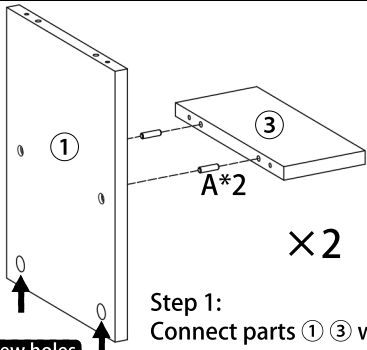
D × 2



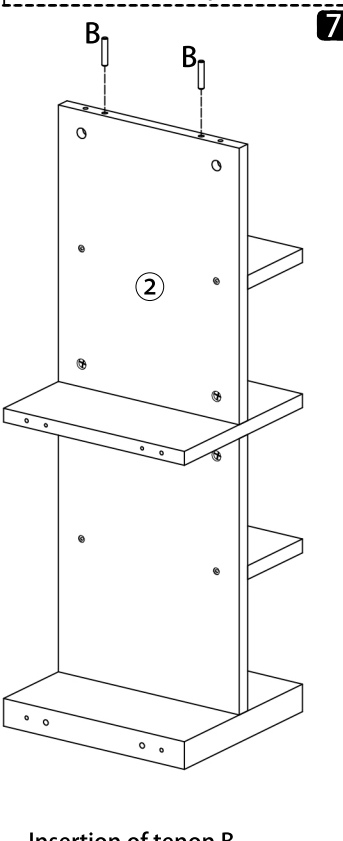
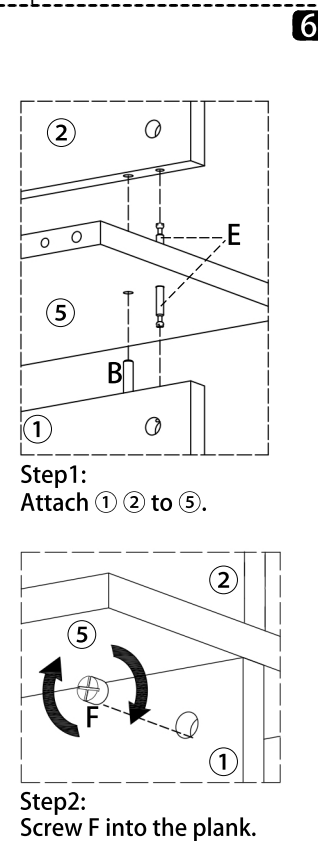
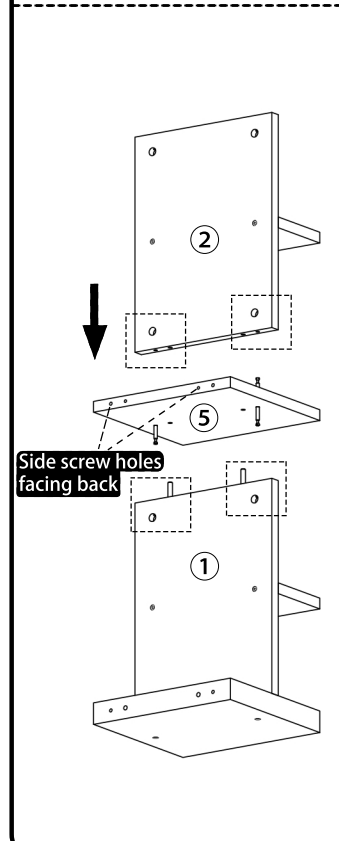
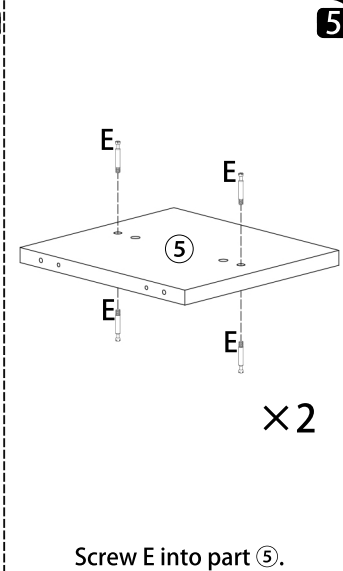
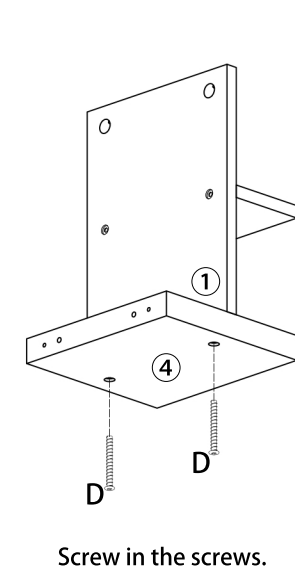
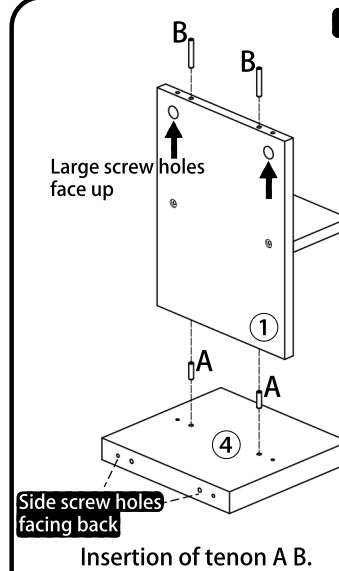
E × 8



F × 8

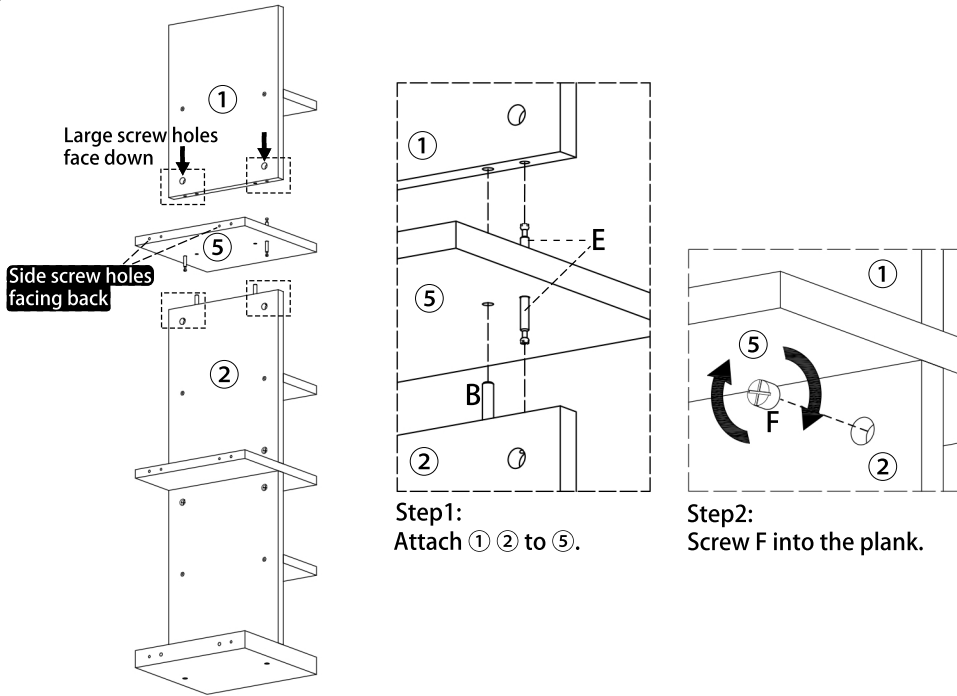


## Installation Steps

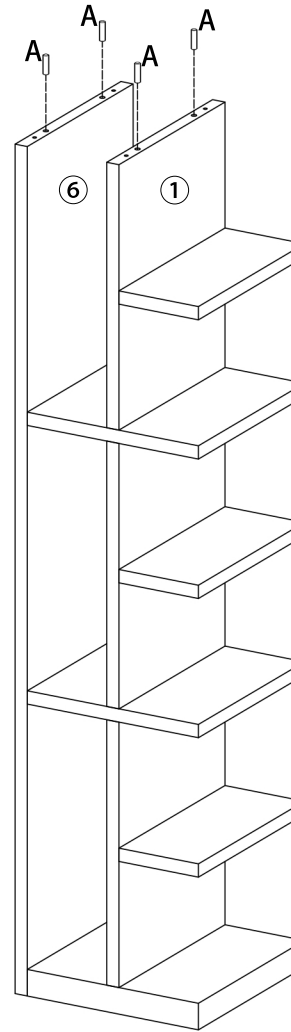


# Installation Steps

8

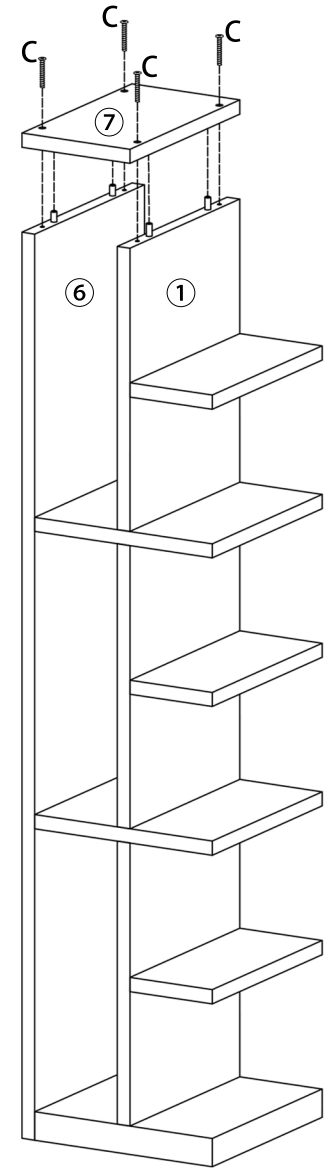


11



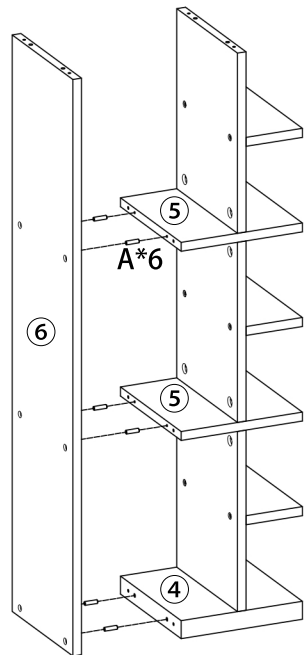
Insertion of tenon A.

12



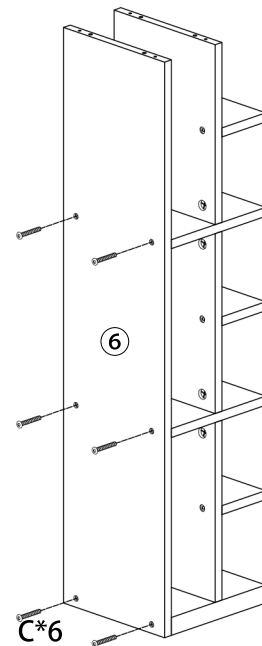
Screw in the screws.

9



Connect parts ④ ⑤ ⑥ with tenon A.

10



Screw in the screws.