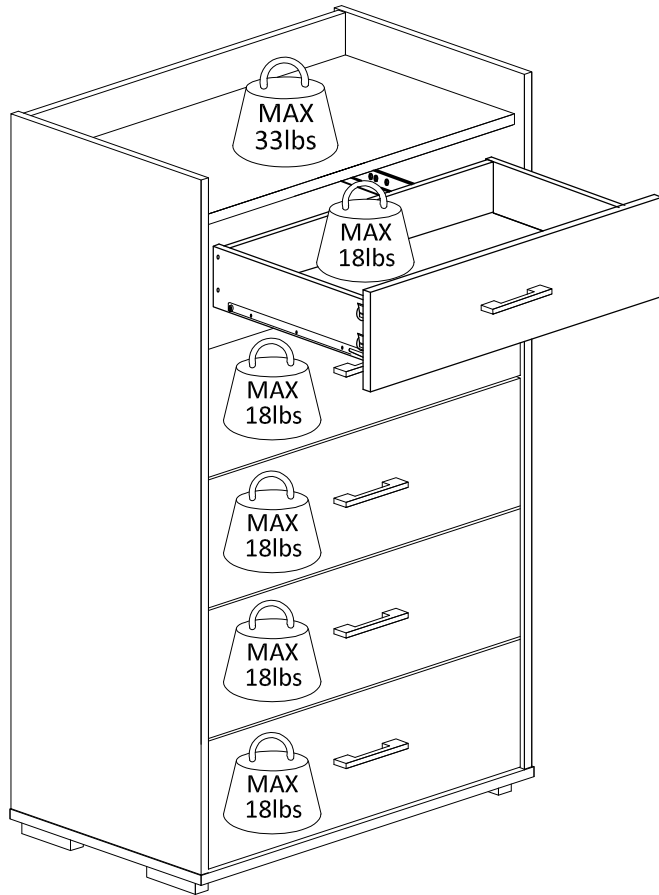


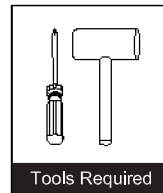
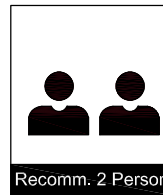
Recommended Maximum Weight



*Unit in Pound(lbs.)

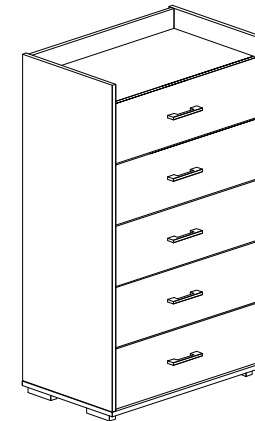
WARNING

- > This unit has been designed to support the maximum loads shown. Exceeding these load limits could cause sagging, instability, product collapse, and/or serious injury.
- > DO NOT allow children to climb on unit.
- > Put heavier items on lower shelves.



Assembly Instruction

5 Drawer Dresser



HARDWARE & PARTS LIST

| NO | HARDWARE LIST | QTY |
|----|------------------|-----|
| 1 | WOOD DOWEL | 37 |
| 2 | GLUE | 1 |
| 3 | BACKPLY STOPPER | 4 |
| 4 | SCREW M3 X 20MM | 4 |
| 5 | HANDLE | 5 |
| 6 | SCREW M4 X 19MM | 10 |
| 7 | ANTI TIPPING SET | 2 |
| 8 | SCREW M5 X 30MM | 10 |
| 9 | PROFILE LEG | 5 |
| 10 | DRIVE FASTENER | 30 |

| NO | PART LIST | QTY |
|----|-------------------------|-----|
| A | SIDE PANEL RIGHT | 1 |
| B | SIDE PANEL LEFT | 1 |
| C | TOP PANEL | 1 |
| D | BOTTOM PANEL | 1 |
| E | BACK SUPPORT | 1 |
| F | BACK PANEL | 2 |
| G | CENTRE SUPPORT | 2 |
| H | DRAWER COVER | 5 |
| I | DRAWER BACK PANEL | 5 |
| J | DRAWER BOTTOM SUPPORT | 5 |
| K | DRAWER SIDE PANEL LEFT | 5 |
| L | DRAWER SIDE PANEL RIGHT | 5 |
| M | TOP CROSSBAR | 1 |
| N | DRAWER BOTTOM PANEL | 5 |

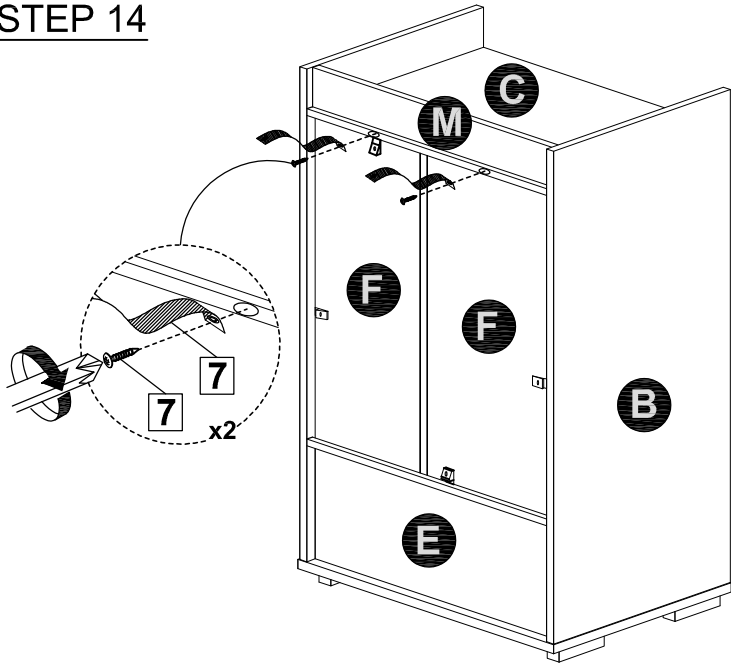
USEFUL HINTS BEFORE YOU START:

1. Read each step carefully before starting.
2. It is important that each step is performed in correct order to avoid difficulties.
3. Identify, sort and count the parts before assembly.
4. Assemble your furniture on packaging cardboard to prevent scratch or damage.
5. Clean the product with mild cleanser using soft damped cloth. Do not use harsh or abrasive cleanser.
6. Using uncompatble hardware might cause damage to product.

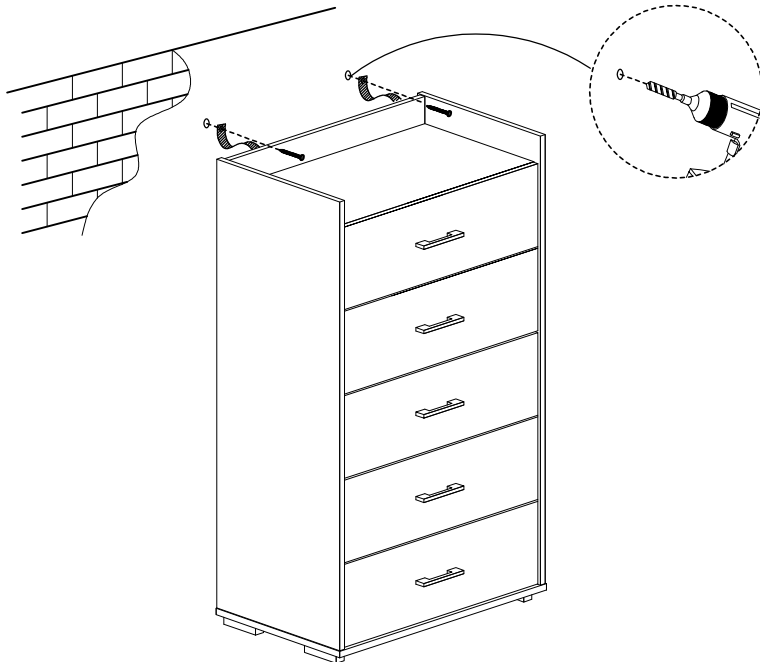
STEP 16



STEP 14



STEP 15

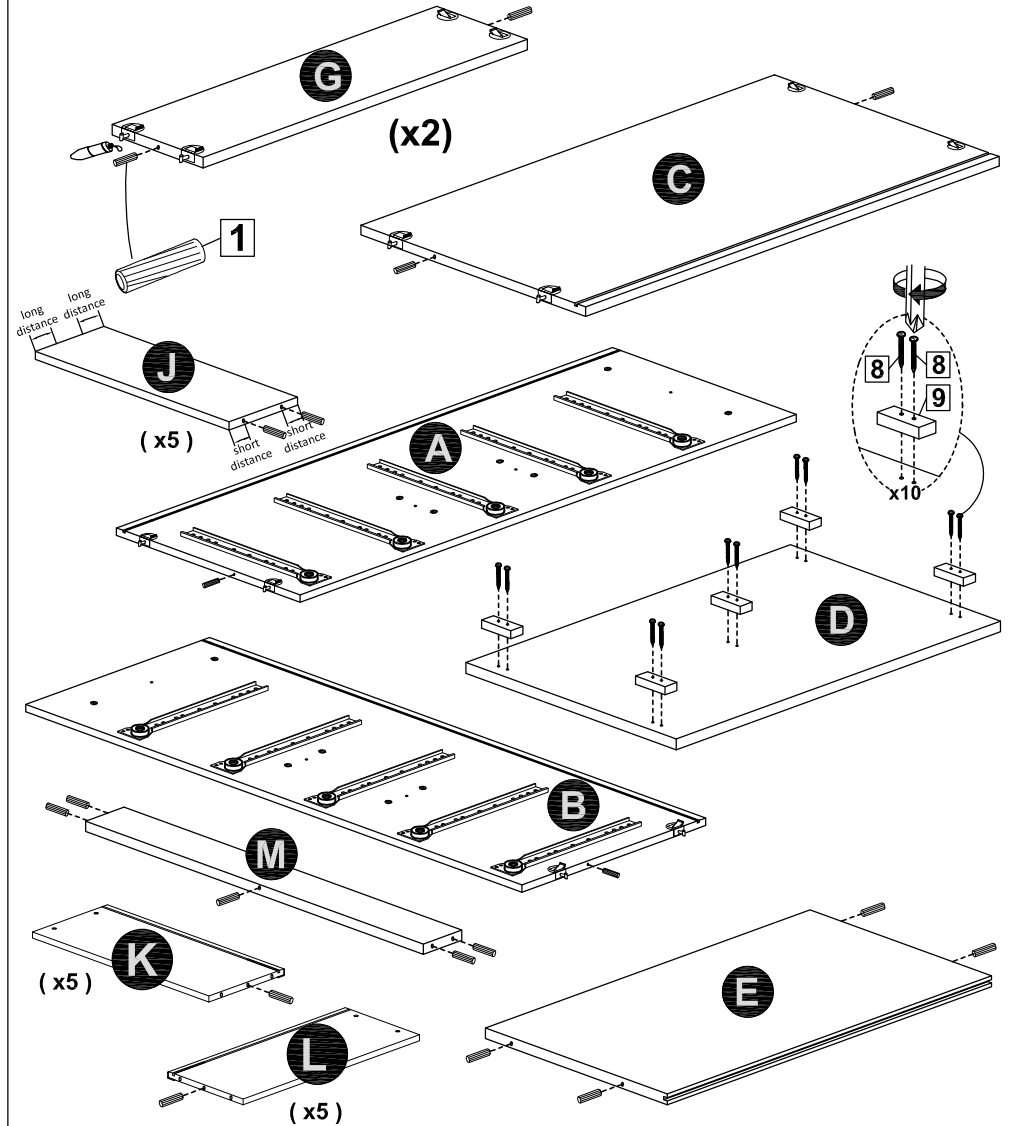


9

ASSEMBLY INSTRUCTIONS

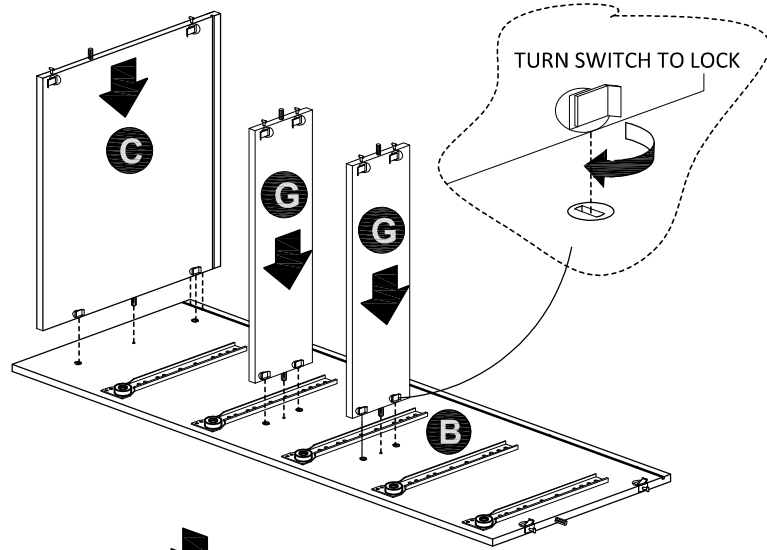
BEFORE YOU BEGIN, PLEASE READ ASSEMBLY INSTRUCTION CAREFULLY, FOLLOW THEM STEP BY STEP.

STEP 1

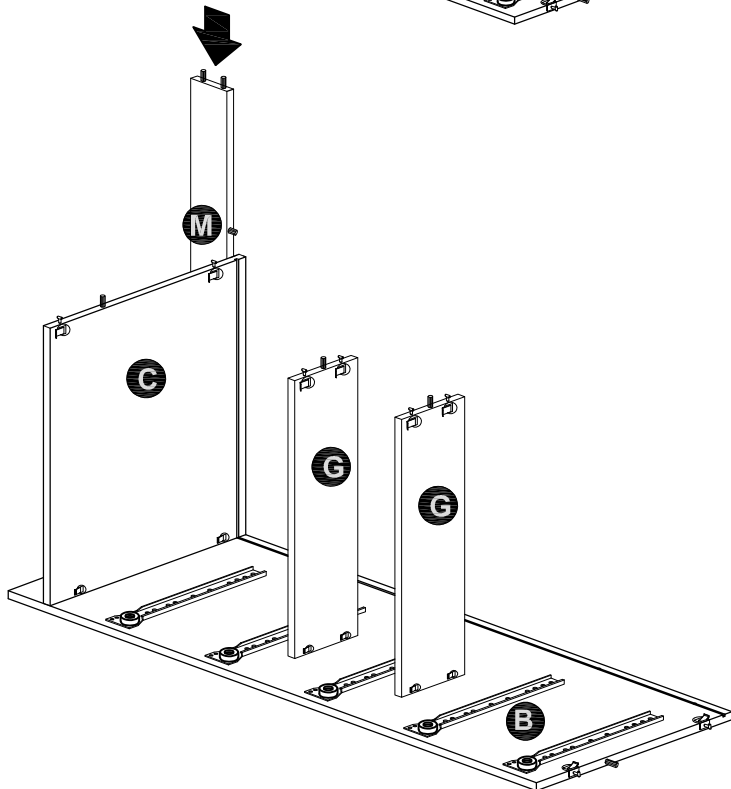


2

STEP 2

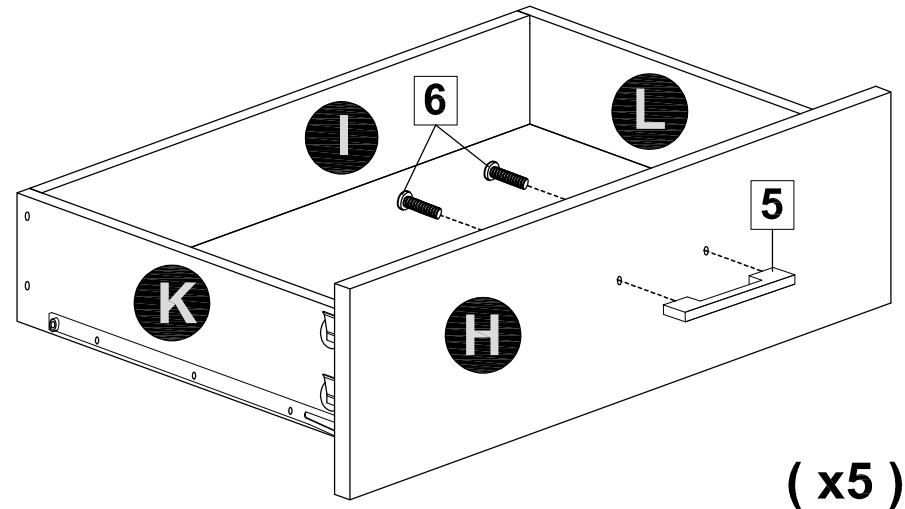


STEP 3



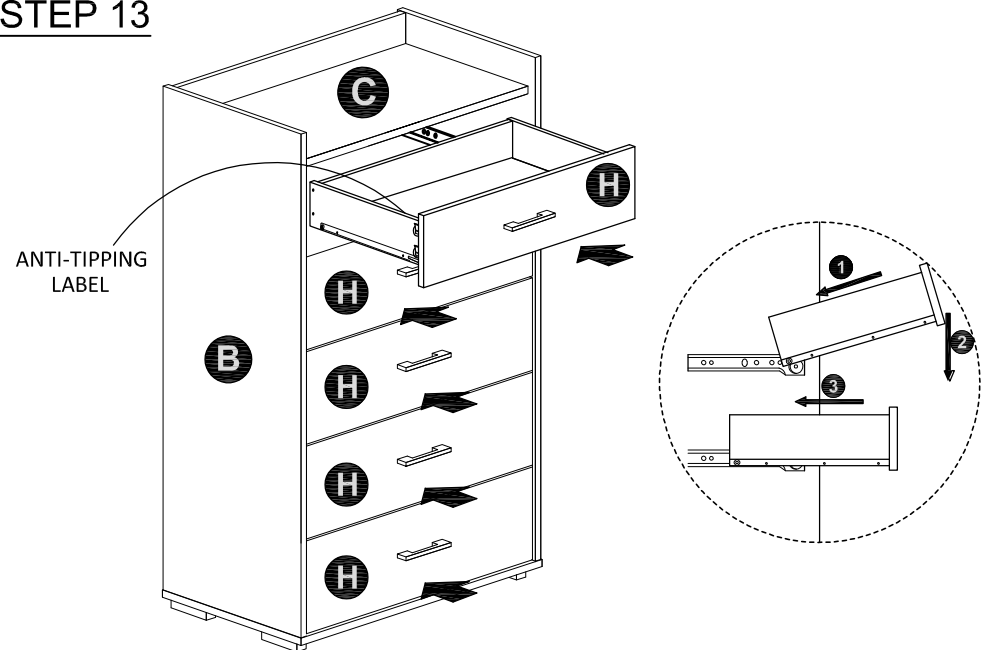
3

STEP 12



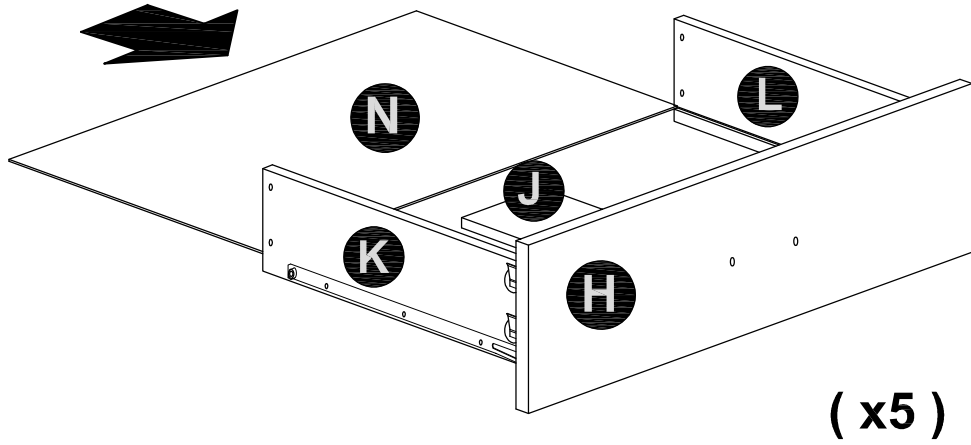
(x5)

STEP 13

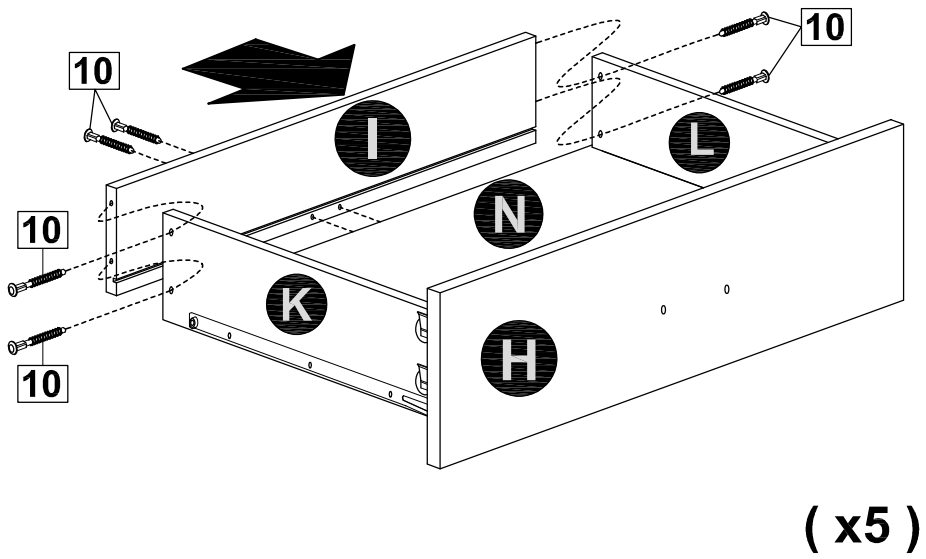


8

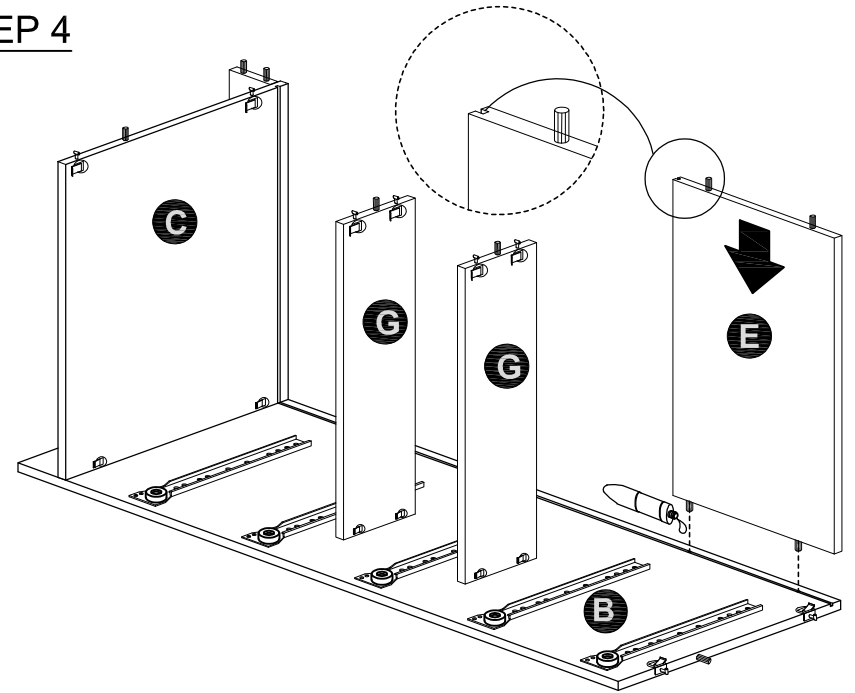
STEP 10



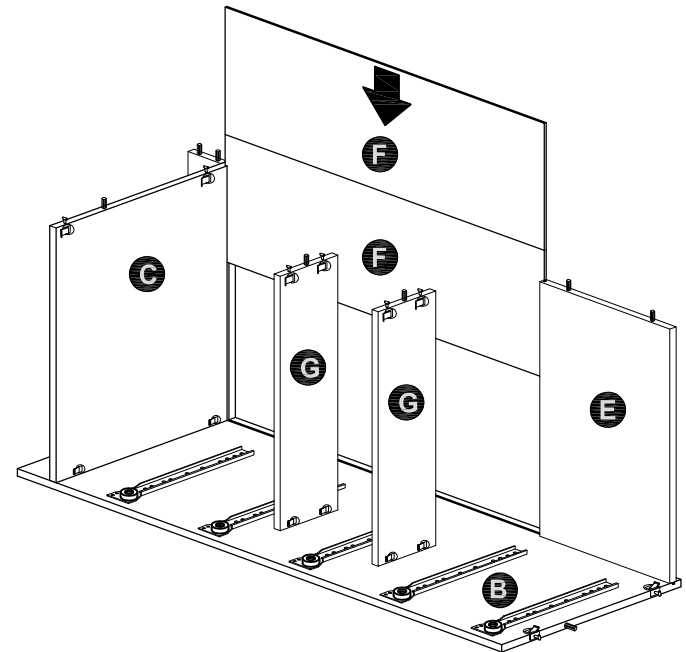
STEP 11



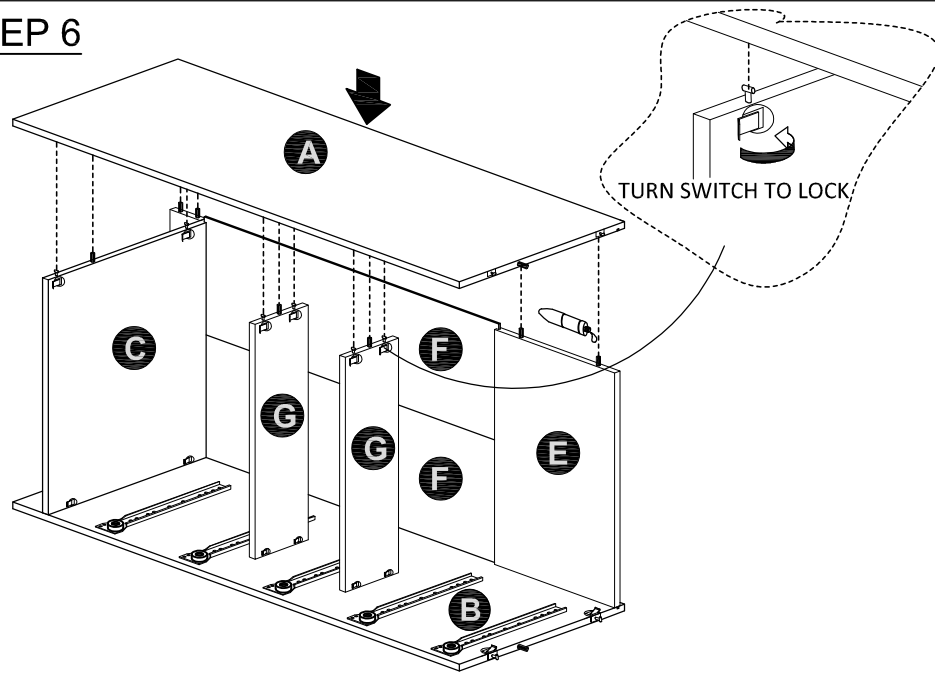
STEP 4



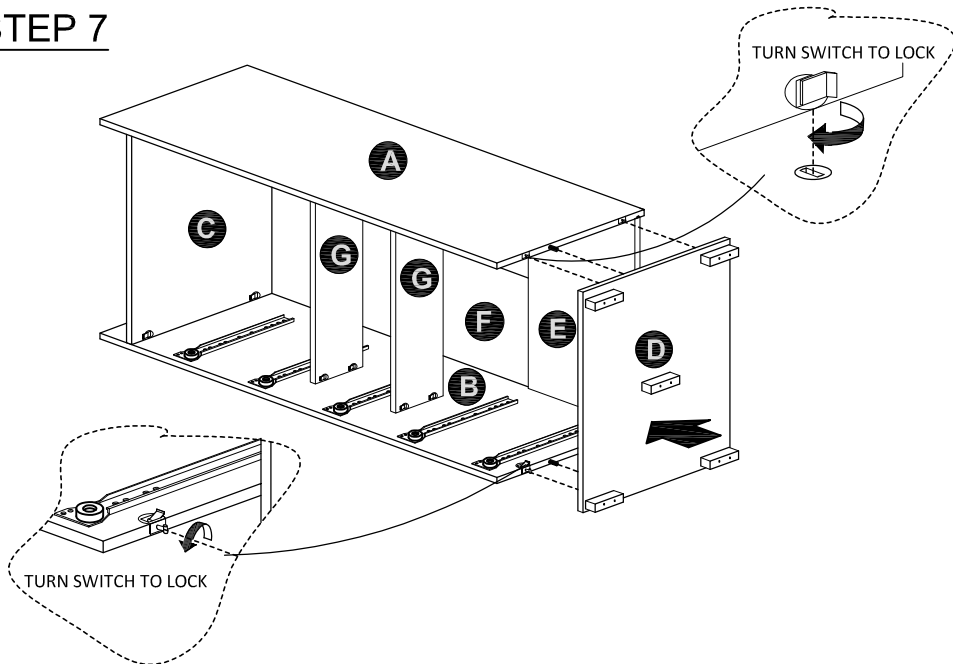
STEP 5



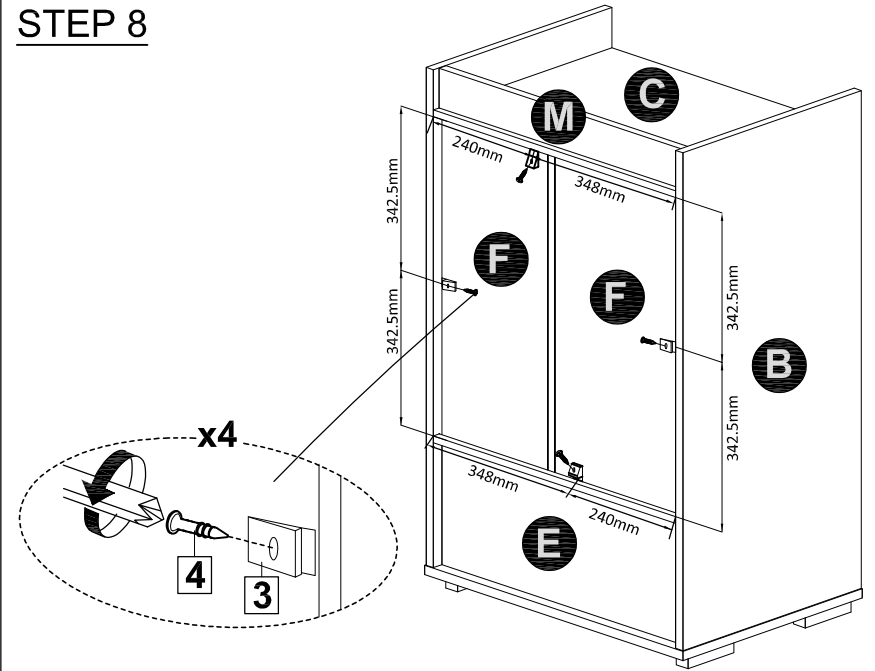
STEP 6



STEP 7



STEP 8



STEP 9

