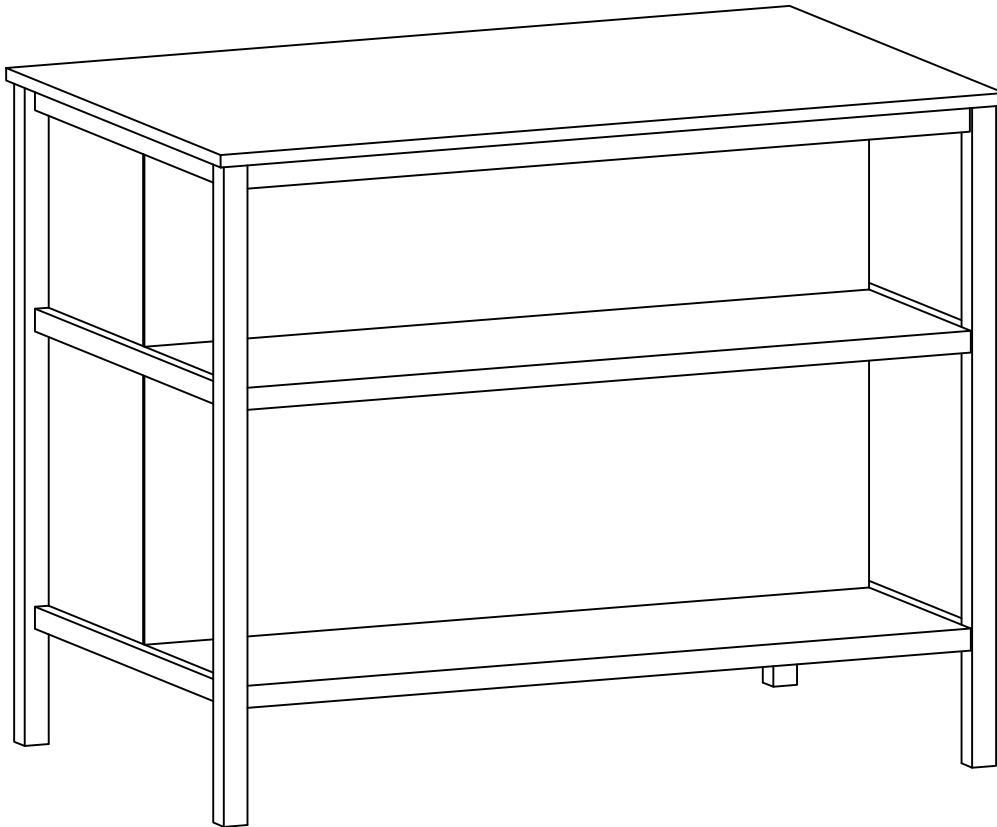
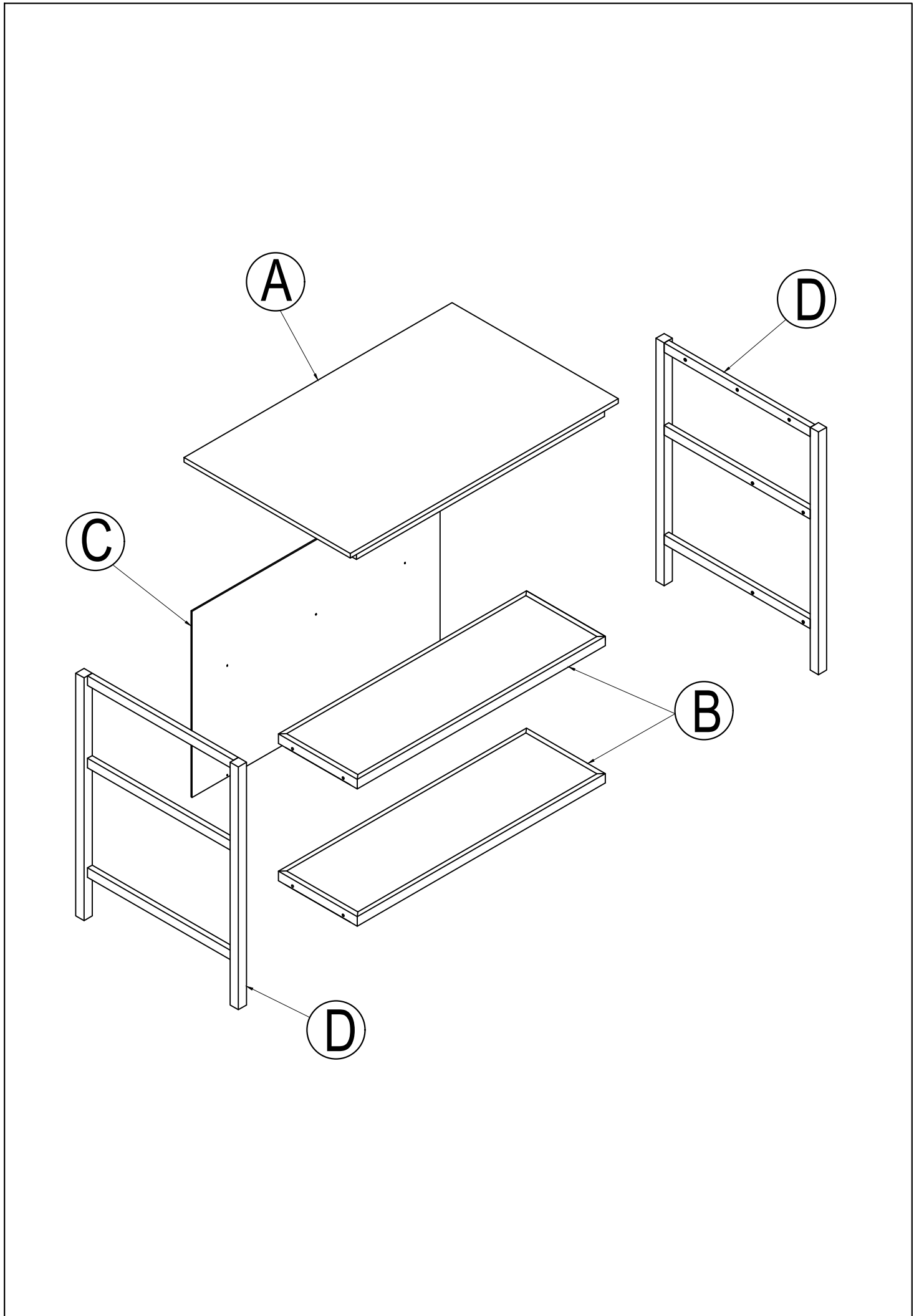


ASSEMBLY INSTRUCTIONS



IMPORTANT NOTE :

- ① PLACE ALL PARTS ON A CLEAN AND SMOOTH SURFACE SUCH AS A RUG OR CARPET TO AVOID THE PARTS FROM BEING SCRATCHED.
- ② BEFORE YOU BEGIN, KINDLY FOLLOW THE ASSEMBLY INSTRUCTIONS STEP BY STEP.
- ③ DO NOT TIGHTEN ALL SCREWS AND BOLTS UNTIL THE CHAIR IS FULLY SET-UP.



Part List

Hardware List

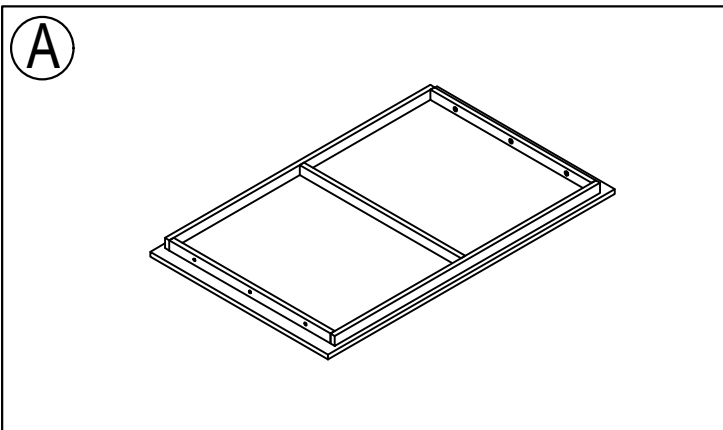


TABLE TOP (1 pc)

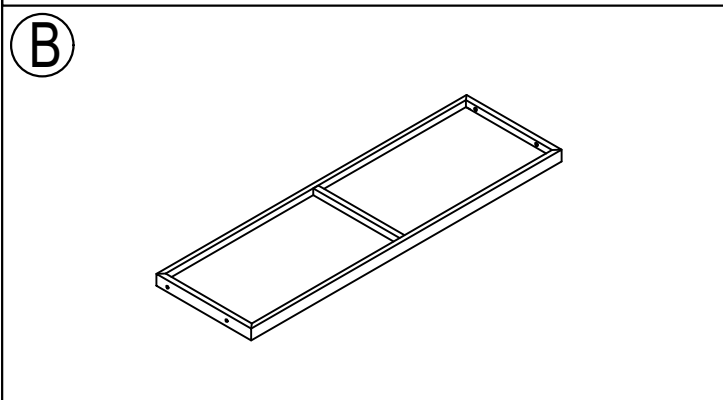
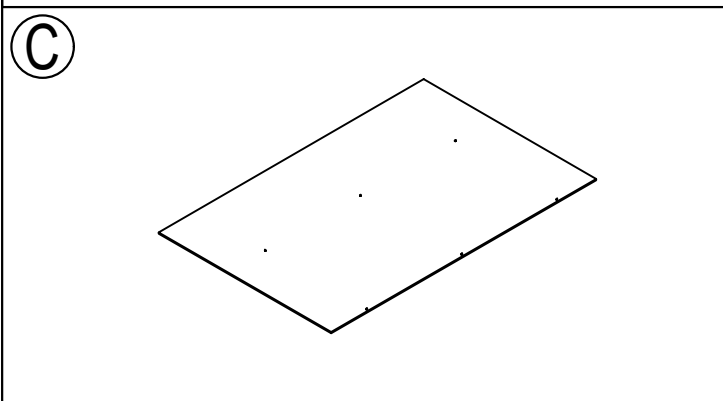


TABLE SHELVES (2 pcs)



MIDDLE PANEL (1 pc)

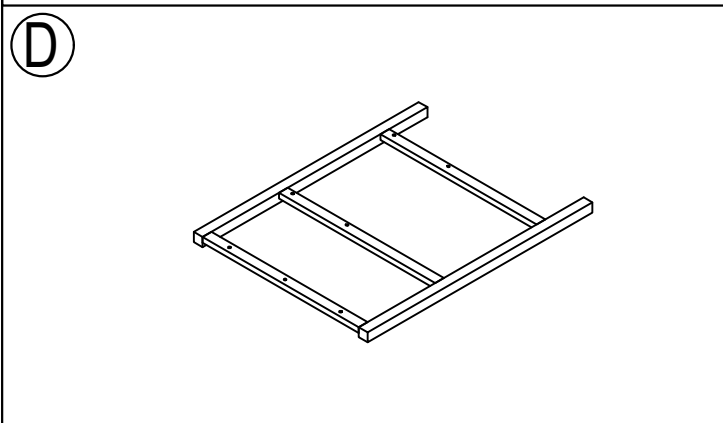
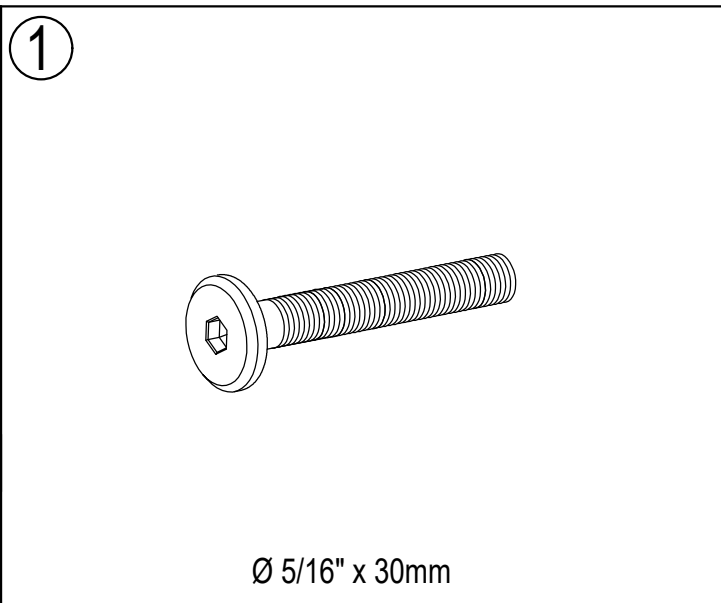
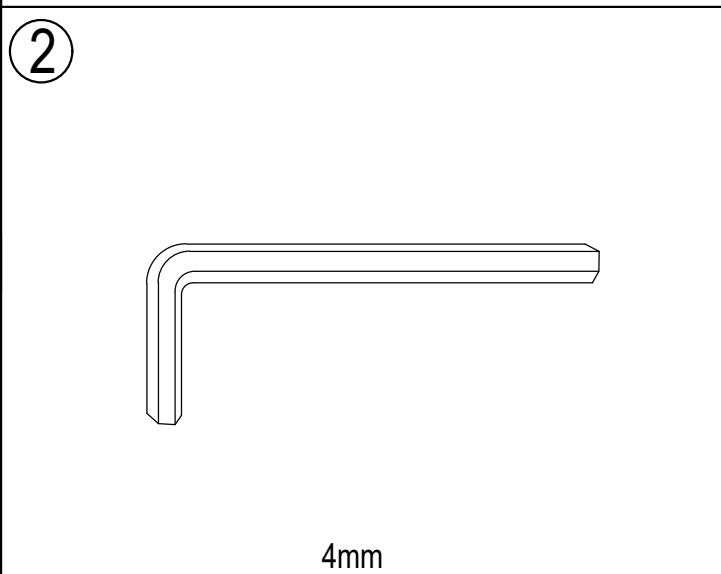


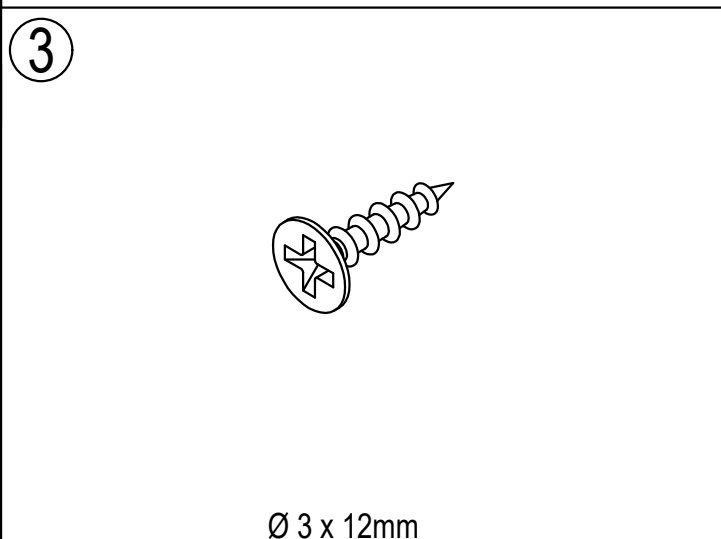
TABLE LEG (2 pcs)



BOLT (14pcs)

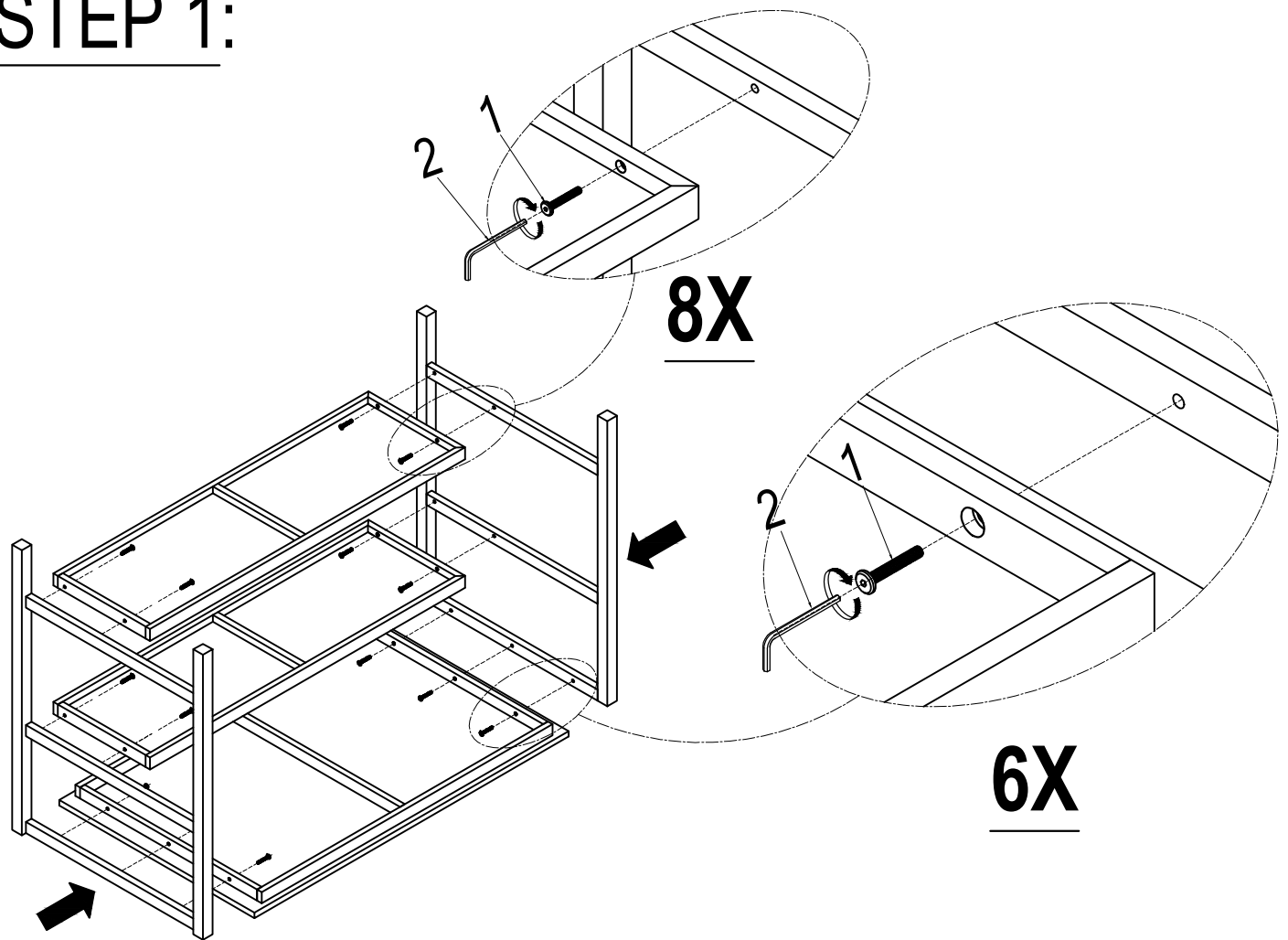


ALLEN KEY (1pc)



WOOD SCREWS (6 pcs)

STEP 1:



STEP 2:

