

ASSEMBLY INSTRUCTIONS

CROXLEY 5 DRAWER RATTAN CHEST

IMPORTANT : READ THESE INSTRUCTIONS CAREFULLY BEFORE ATTEMPTING TO ASSEMBLE OR USE YOUR CROXLEY 5 DRAWER RATTAN CHEST.

PLEASE KEEP THESE INSTRUCTIONS FOR FUTURE REFERENCE.

ASSEMBLY:

Assembly should be carried out with this item laying flat, not standing upright.

Assemble on a soft, clean surface to prevent damages.

To erase the numbers printed on the pieces, use the rubber inside the accessories pack.

HEALTH & SAFETY:

DO NOT use this product if any parts are missing, damaged or worn.

DO NOT use this product unless all fixings are secured.

Always use on a level, even surface.

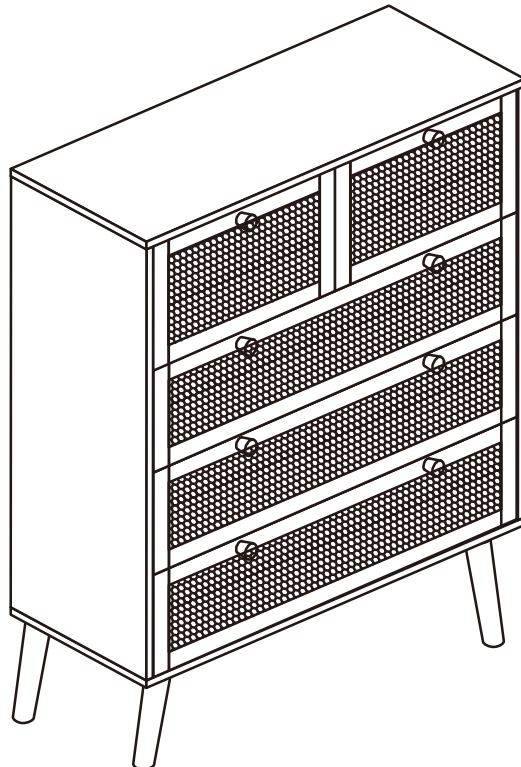
CARE & MAINTENANCE:

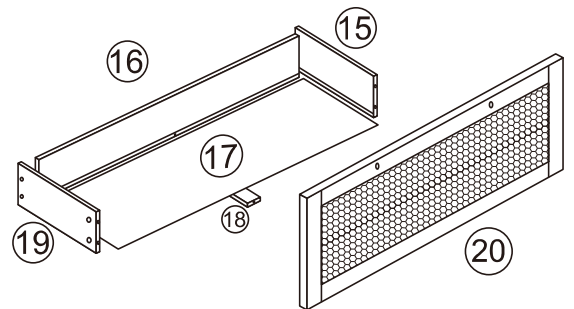
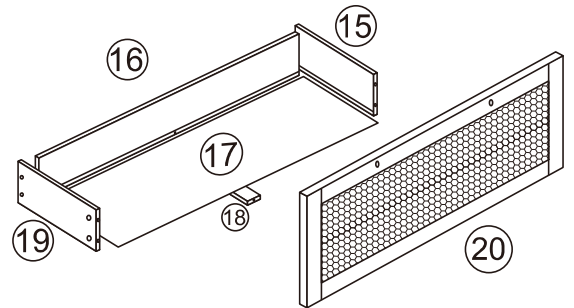
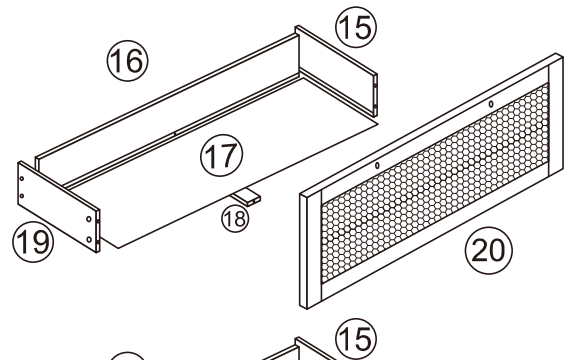
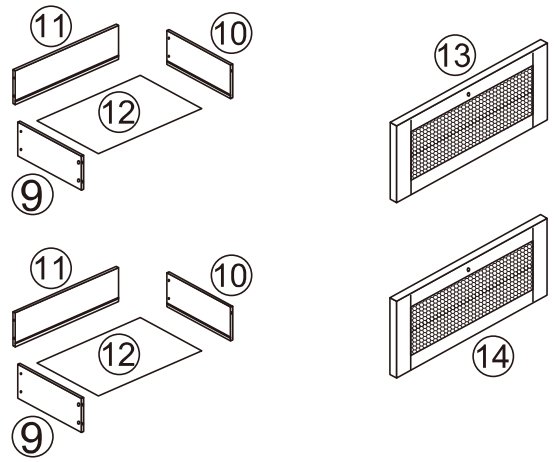
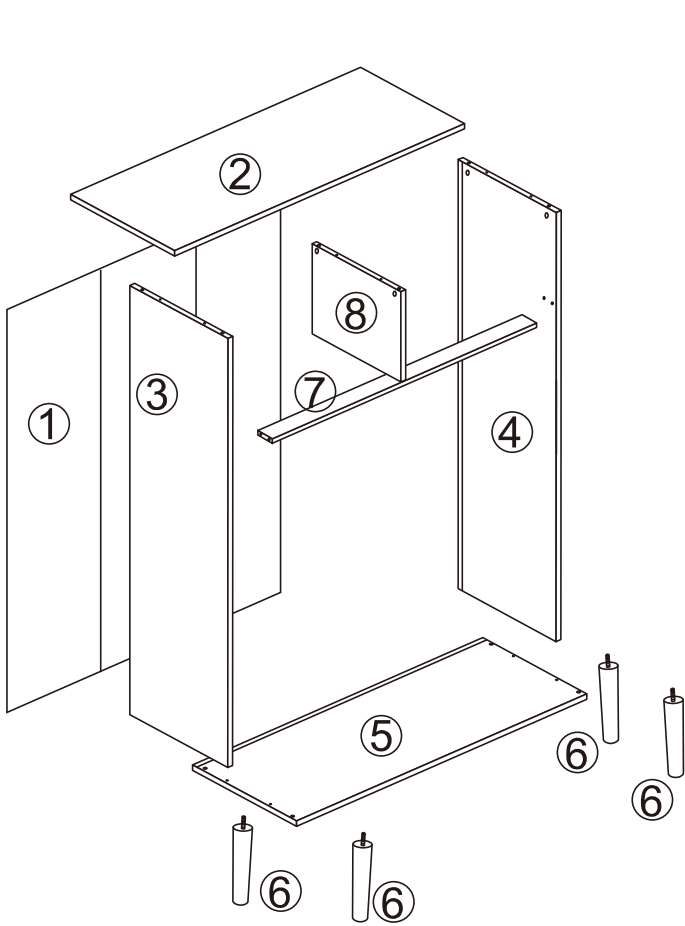
Periodically check all screws & fixings to ensure they are secure.




















DO NOT push this product as this will cause damage.

Always lift this product with two people to repositions.

Keep any sharp objects away from this product.





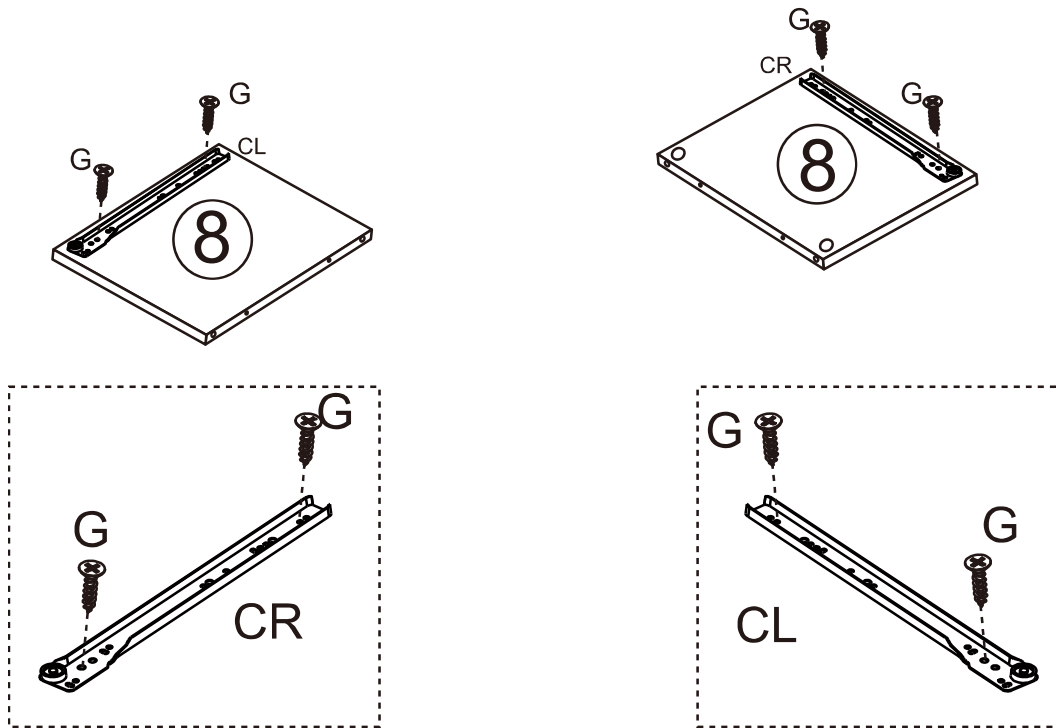
Parts List				Hardware List		
Part	Description	Box	Qty	Part	Description	Qty
1	Back Panel		1	A	CAMBOLT 	28
2	Top Panel		1	B	CAMLOCK 	28
3	Side Panel(Left)		1	C	Wooden Dowel 	19
4	Side Panel(Right)		1	D	Screw 	23
5	Bottom Panel		1	E	Handle+Screw 	8
6	Wooden Leg		1	F	Screw 	23
7	Connect Panel		1	G	Screw 	46
8	Center Panel		1	H	Metal Sheet 	4
9	Drawer Side(Left)		2	I	Foot pad 	4
10	Drawer Side(Right)		2	J	Screw 	5
11	Drawer Back		2	K	Hole sticker 	20
12	Drawer Bottom		2	L	Allen key 	1
13	Drawer Front(Left)		2	M	Washer 	2
14	Drawer Front(Right)		2	N	Safe strap 	2
15	Drawer Side(Right)		3	O	Plastic Wedge+Screw 	6
16	Drawer Back		3	DL	Rail 	5
17	Drawer Bottom		3	DR	Rail 	5
18	Drawer Bone		3	CL	Rail 	5
19	Drawer Side(Left)		3	CR	Rail 	5
20	Drawer Front		3			

**** You will need a small mallet and a screwdriver for assembly.**

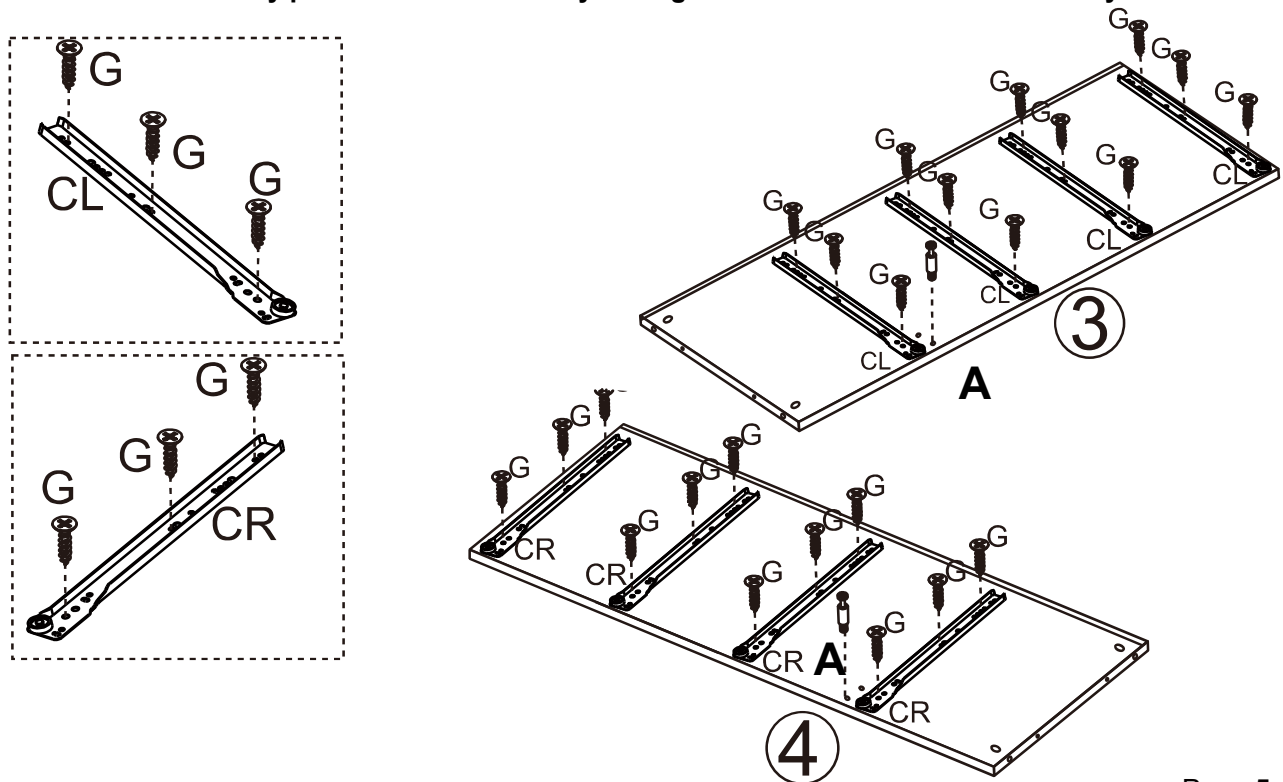
**** Some screws and wooden dowel may remain.**

**** Note : To secure the item to the wall.**

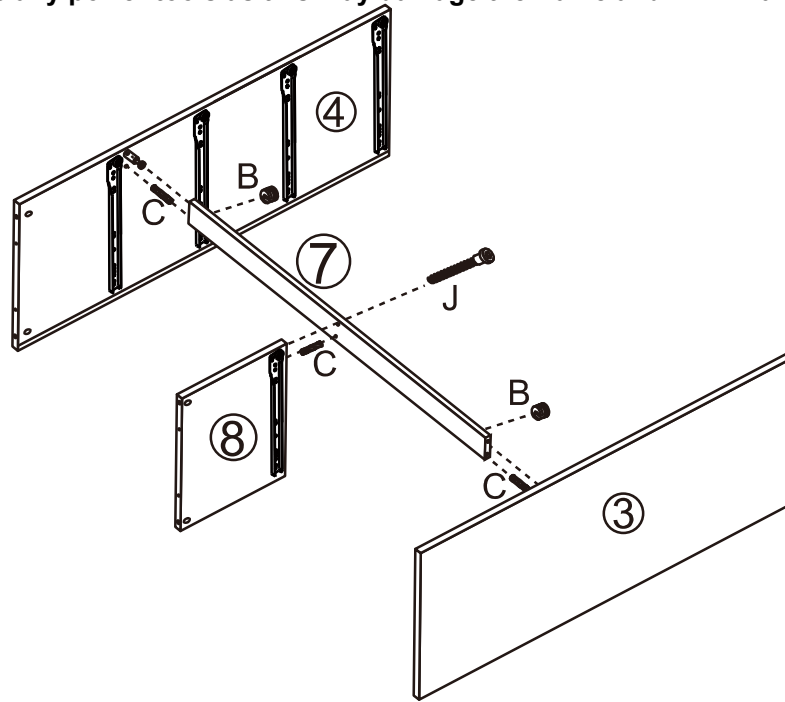
Step 1: Assemble hardware(CR),(CL) ON middle divider by hardware G.
DO NOT use any power tools as this may damage the frame and will invalidate any claim.



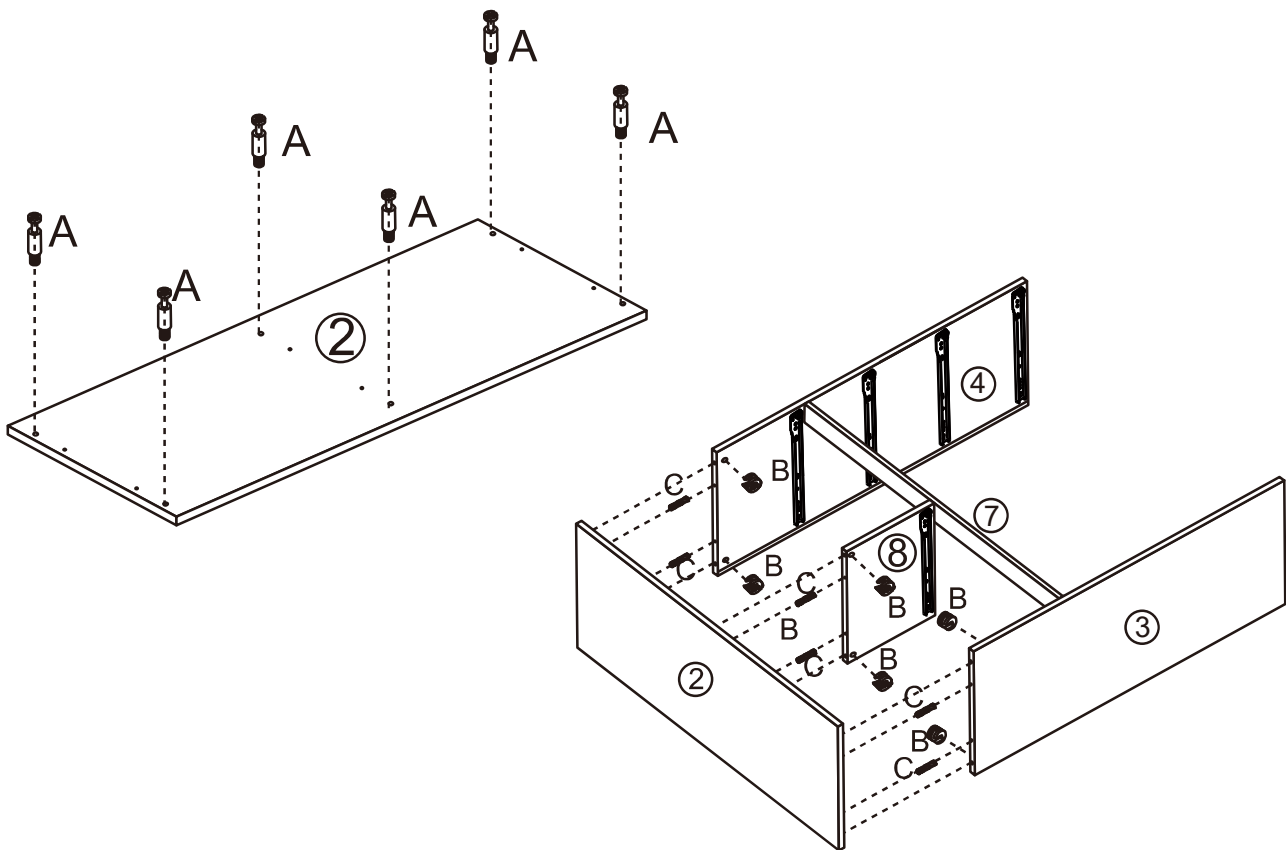
Step 2: Assemble hardware(CL) on left side panel by hardware G; Assemble hardware(CR) on right side panel by hardware G; Then, attach the hardware A on both side panels(3),(4).
DO NOT use any power tools as this may damage the frame and will invalidate any claim.



Step 3: Assemble the middle divider(8) and connect panel by hardware C,J;
Assemble the connect panel with 2 side panels(3),(4) by hardware B,C.
DO NOT use any power tools as this may damage the frame and will invalidate any claim.

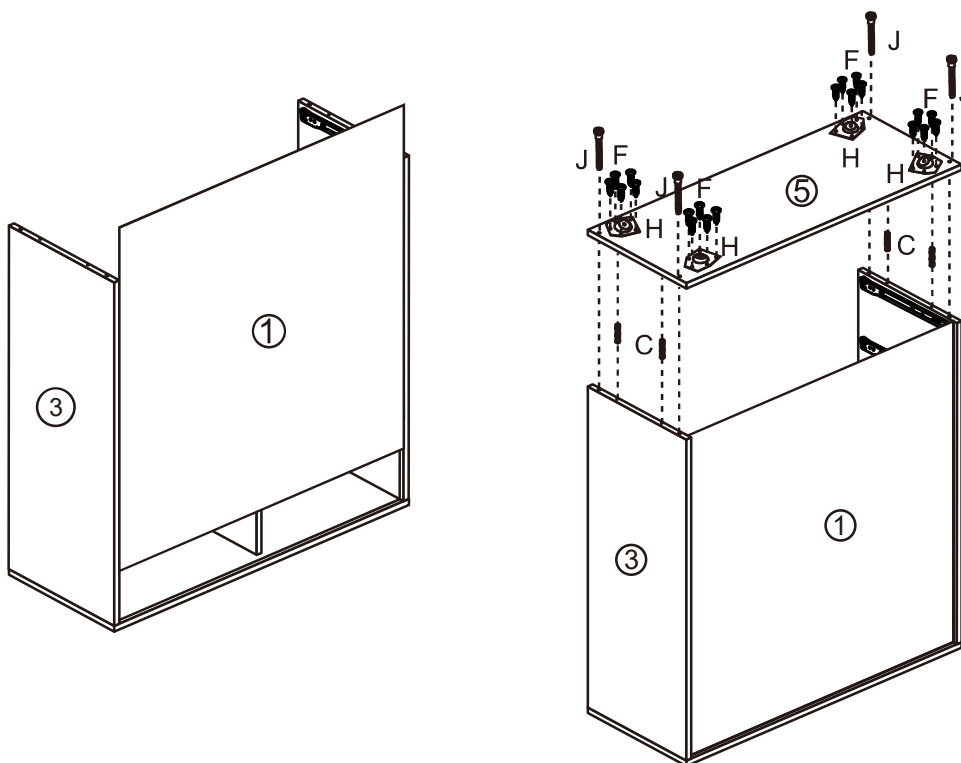


Step 4: Attach hardware A on top panel(2);
Then assemble the top(2) with the chest frame by hardware B,C.
DO NOT use any power tools as this may damage the frame and will invalidate any claim.



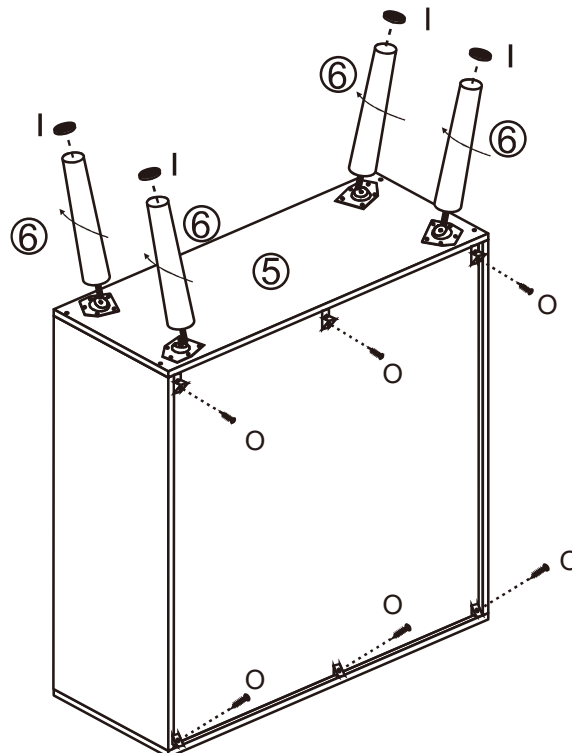
Step 5: Attach the back panel(1) before assemble the bottom panel; Assemble the bottom panel(5) by hardware J; Then, attach the leg sheet(H) by hardware F.

DO NOT use any power tools as this may damage the frame and will invalidate any claim.

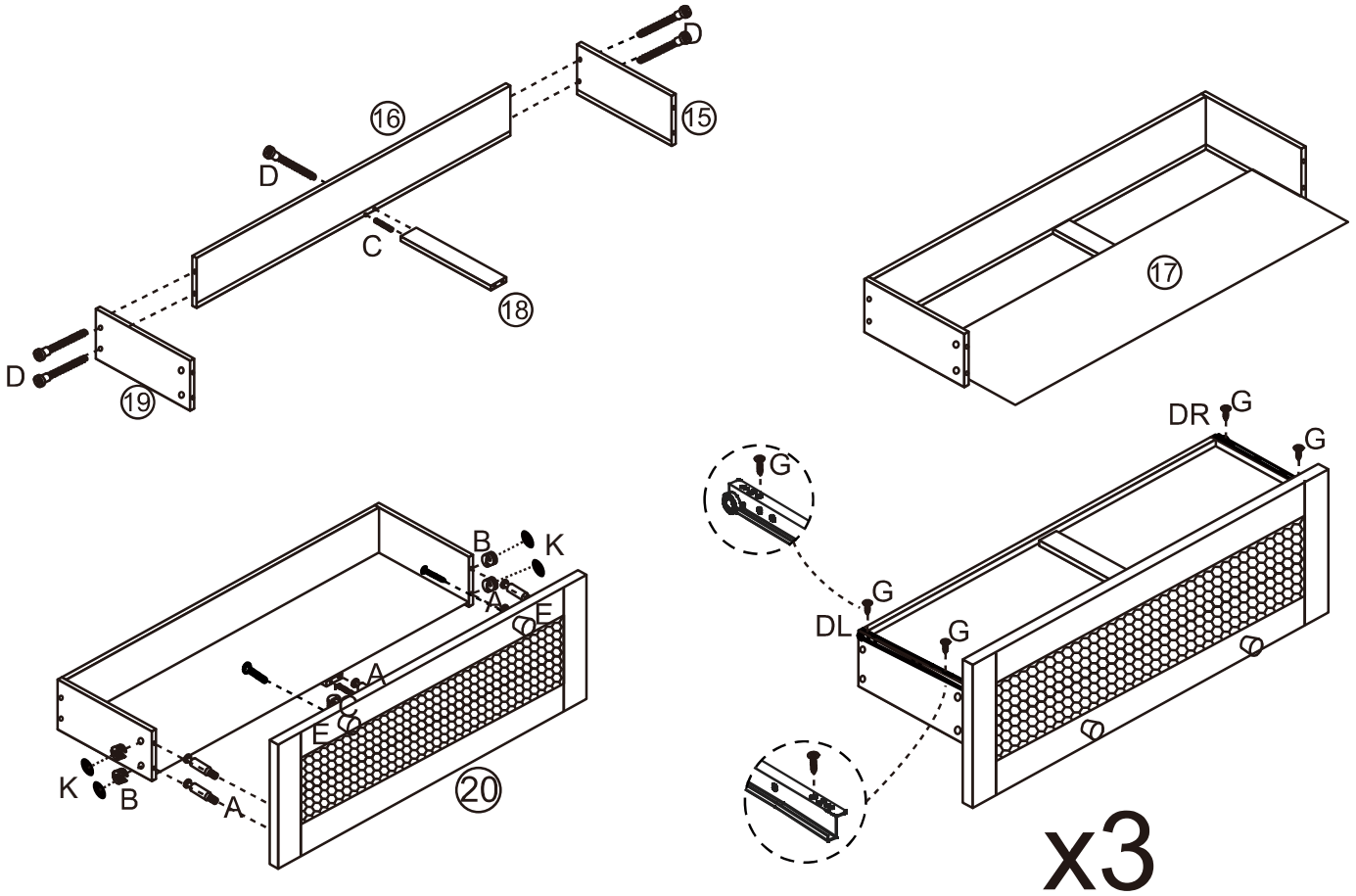


Step 6: Attach the legs(6),and then attach the pad(I) ; Attach the hardware O on the back of the item.

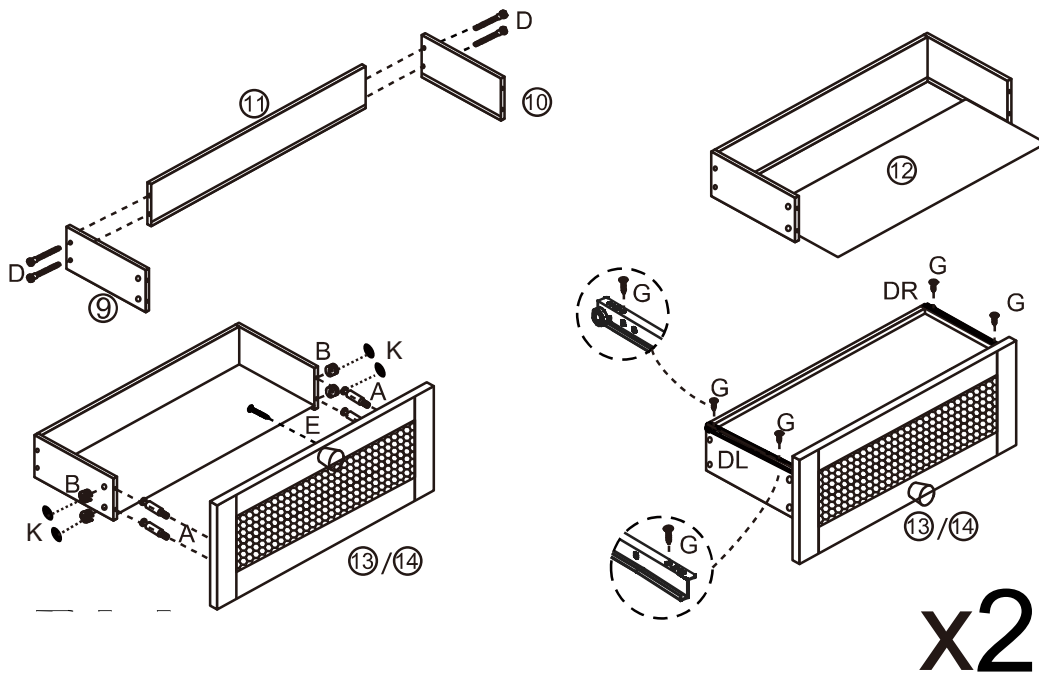
DO NOT use any power tools as this may damage the frame and will invalidate any claim.



Step 7: Assemble the drawer side panels(19),(15) back panel(16) and support bar(18) by hardware D,C;
 Attach the bottom panel(17) before assembly the drawer front panel;
 Attach the drawer front panel(20) by hardware A,B,C,K;and then,assemble the handle(E);
 Attach the hardware(DL),(DR) by hardware G.
DO NOT use any power tools as this may damage the frame and will invalidate any claim.

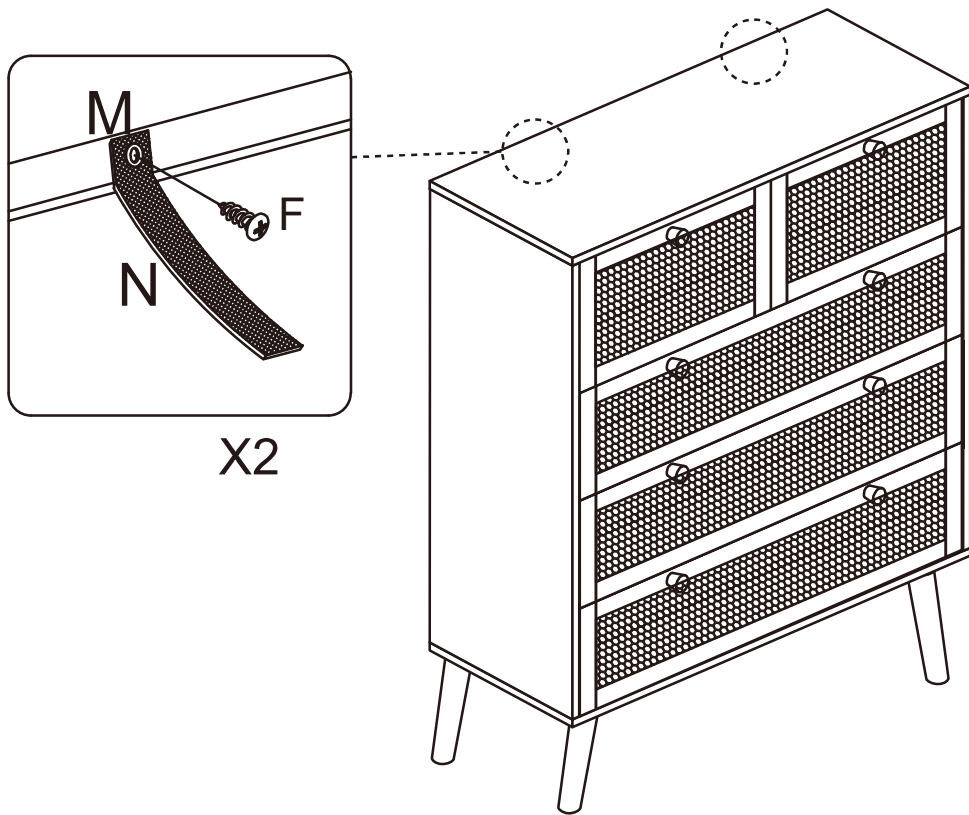


Step 8: Assemble the drawer side panels(9),(10) and back panel(11) by hardware D;
 Attach the bottom panel(12) before assembly the drawer front panel;
 Attach the drawer front panel(13),(14)by hardware A,B,K;and then,assemble the handle(E);
 Attach the hardware(DL),(DR) by hardware G.
DO NOT use any power tools as this may damage the frame and will invalidate any claim.



Step 7: Secure the safety strap(N) by hardware F,M.

DO NOT use any power tools as this may damage the frame and will invalidate any claim.



PLEASE NOTE that wall fixings are not supplied as different wall materials require different fixing devices. You must use fixings devices suitable for the type of wall you intend to mount product to. Ensure the head of any screw used has a diameter greater than the mounting hole and the fixing is safe and secure before use.