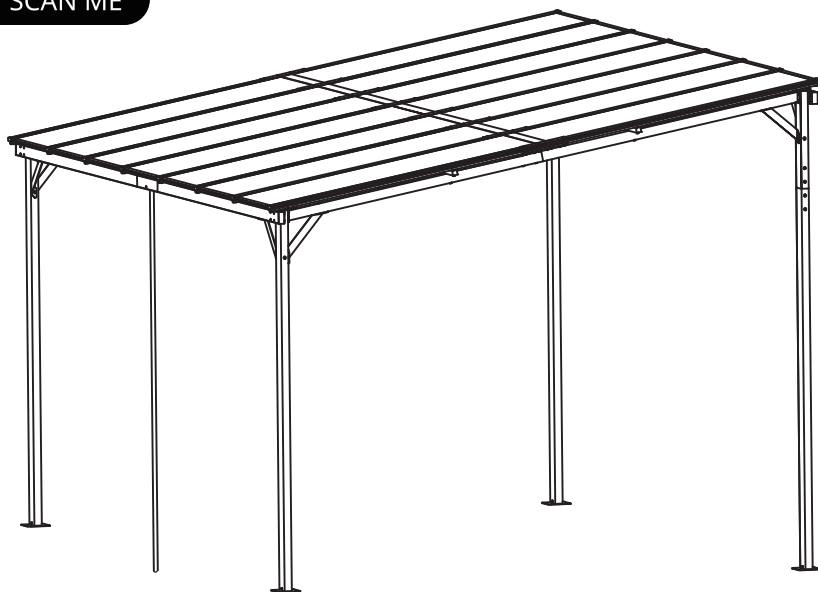


# **WALL-MOUNTED GAZEBO with HARDTOP ASSEMBLY INSTRUCTIONS YSGB1014 SERIES**



Please scan the QR code on the cover of the instruction manual to access the installation video.





# ATTENTION

## **THANKS FOR CHOOSING OUR PRODUCTS!**

- 1. This gazebo comes in 2 boxes, please check the part list carefully to make sure you've received all the parts.**
- 2. If there're any missing parts, please contact us with the part # and quantity, we will send them to you ASAP.**
- 3. If there're any damaged parts, please contact us with clear pictures or video,we will offer you the best solution after confirming it.**
- 4. Suggestion: It will be easier and faster to do every step with 3 people. It is not recommended that one person complete the entire installation process.**

**Please prepare the ladder before you install the gazebo so that you can install the highest part of the structure when you install the awning posts. The highest point of the product is over 8 feet.**

## To Every Customer Who Has Purchased Our Gazebos

Before you begin the installation, please take a few minutes to carefully read the following important notes and be aware of your rights and entitlements.

### Some of Your Concerns:

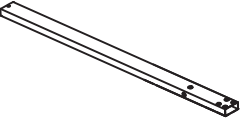
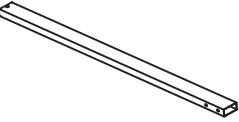

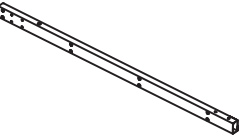
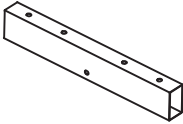
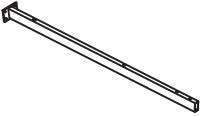


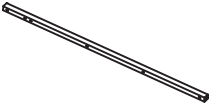


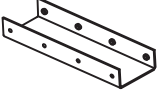
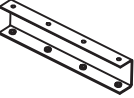




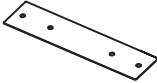



1. Please note that if you find any damage to the package upon arrival, resulting in loss of internal components or visible damage, please contact us. We will take responsibility for any damages caused during transportation.
2. Please ensure that you begin installation after receiving both boxes of the package. If not, please contact us to inquire about the corresponding package status, and we will respond within 24 hours.
3. Product stability has been tested: the product can withstand winds of approximately 40-60 mph and a static pressure test of 6.5 lbs per square foot after correct installation and fixation. (Snow accumulation of about 7 inches in thickness will not pose a threat to the product.)
4. If you have any questions regarding accessory defects, product use, or product installation, please feel free to contact us. We have simple installation videos available for you.

### Some Precautions:


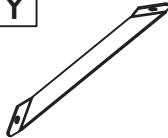

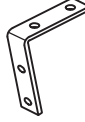

1. Please use the tools we provide to secure the gazebo to the wall to ensure stability. \*Please purchase matching ground stakes for securing the product to the ground according to the installation area you plan. If you are unsure about how to choose, please let us know.
2. Please tighten the screws after ensuring that all screw holes have been properly inserted to avoid uneven hole alignment.
3. Please use a ladder when installing the top part.
4. Keep children away during the installation process, as the product contains small parts that could be swallowed.
5. Do not choose to install the product in strong winds or severe weather conditions.

# Assembly Instruction

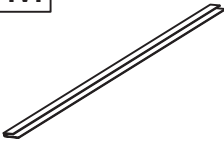



## Parts List(BOX A)

<b>A</b> 	<b>B</b> 	<b>C</b> 	<b>D</b> 	
2PCS	2PCS	2PCS	4PCS	
<b>E</b> 	<b>F</b> 	<b>G</b> 	<b>H</b> 	
2PCS	4PCS	1PC	1PC	
<b>I</b> 	<b>J</b> 	<b>O1</b> 	<b>N</b> 	<b>O</b> 
4PCS	2PCS	1PC	2PCS	4PCS
<b>P</b> 	<b>Q</b> 	<b>R</b> 	<b>S</b> 	
2PCS	4PCS	2PCS	8PCS	
<b>T</b> 	<b>U</b> 	<b>V</b> 	<b>W</b> 	
8PCS	4PCS	2PCS	2PCS	








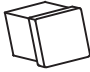





# Assembly Instruction

X		Y		Z		A1		B1	
2PCS		2PCS		8PCS		8PCS		1PC	

## Parts List(BOX B)

M		K		L		L1	
14PCS		16PCS		7PCS		14PCS	

## Hardware List

C1		D1		E1		F1			
M6*15		M6*35		M6*40		M6*65			
168PCS		16PCS		54PCS		4PCS			
G1		H1		I1		J1			
38PCS		9PCS		4PCS		4PCS			
K1		M1		N1		P1		Q1	
16PCS		1PC		1PC		M6*25		M6*10	
						16PCS		24PCS	

## NOTE

1. If one or some screws are fully tightened during assembly, the other screws may not be aligned with screw holes. 70% tighten before fastening all screws. Allen wrench is recommended instead of an electric drill.
2. If some screws are not aligned with holes during assembly, please loosen all the other screws to 70% and continue the assembly process.
3. If the items is not stable, please loosen all the screws, adjust it on a flat ground and tighten all the screws.


# Gazebo with Hardtop Assembly

## Step 1

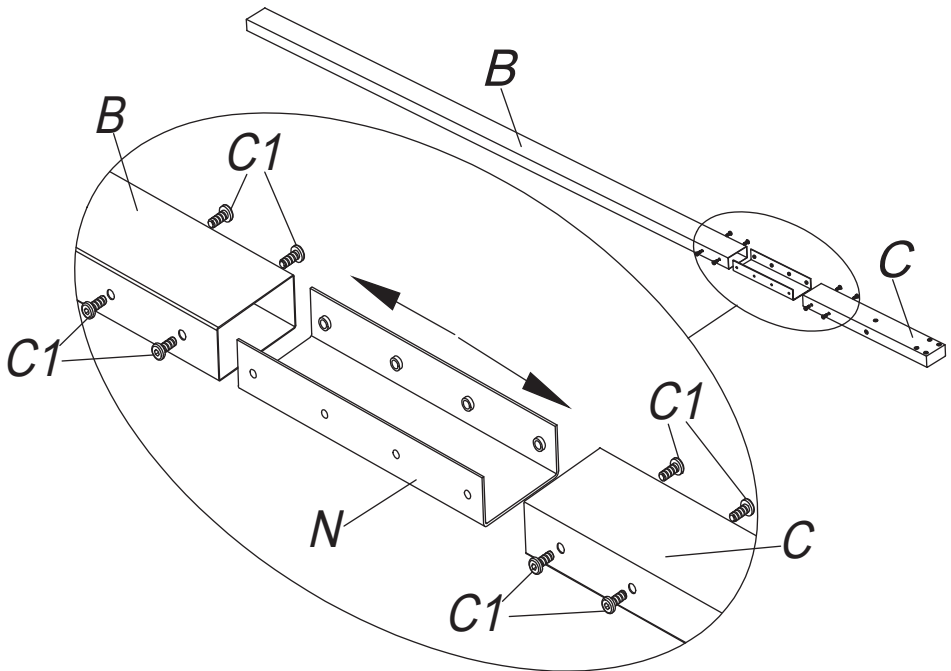
 B\*2

 C\*2

 N\*2

 C1\*16  
M6\*15


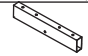
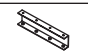

Please simultaneously insert both ends of pipe B and pipe C parallel into the slot connector N. After aligning the holes, then install the screws. It's important to insert the pipes parallel and align the screw holes properly to make screw installation easier

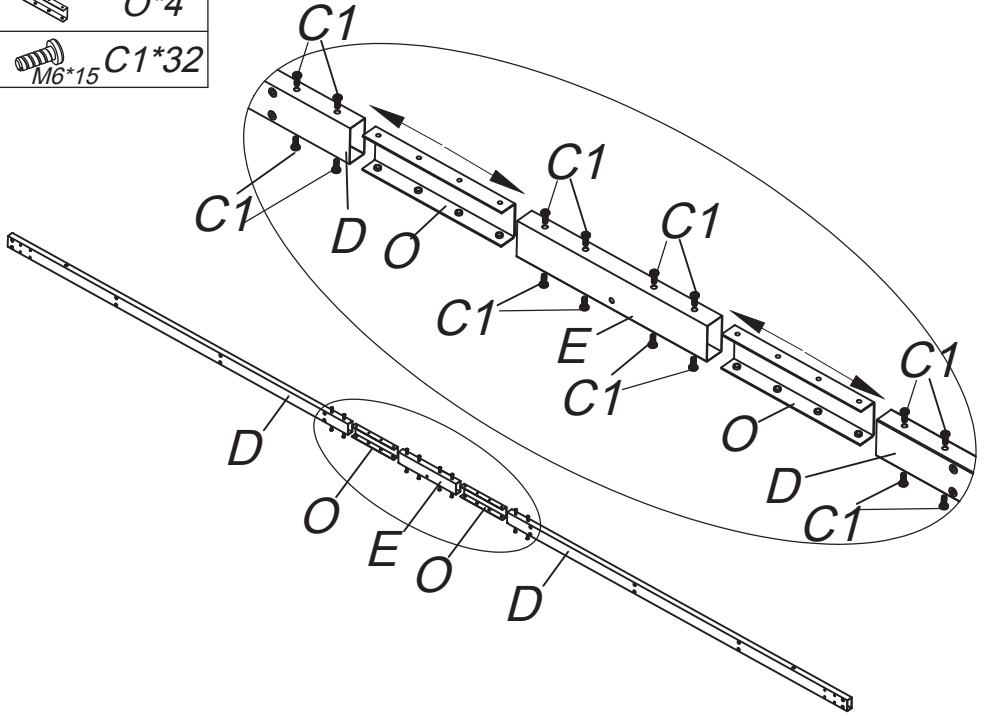


Suggestion: It will be easier and faster to do every step with 3 people. It is not recommended that one person complete the entire installation process. Please prepare the ladder before you install the gazebo so that you can install the highest part of the structure when you install the awning posts. The highest point of the product is over 8 feet.

# Gazebo with Hardtop Assembly

## Step 2




	D*4
	E*2
	O*4
	C1*32 M6*15

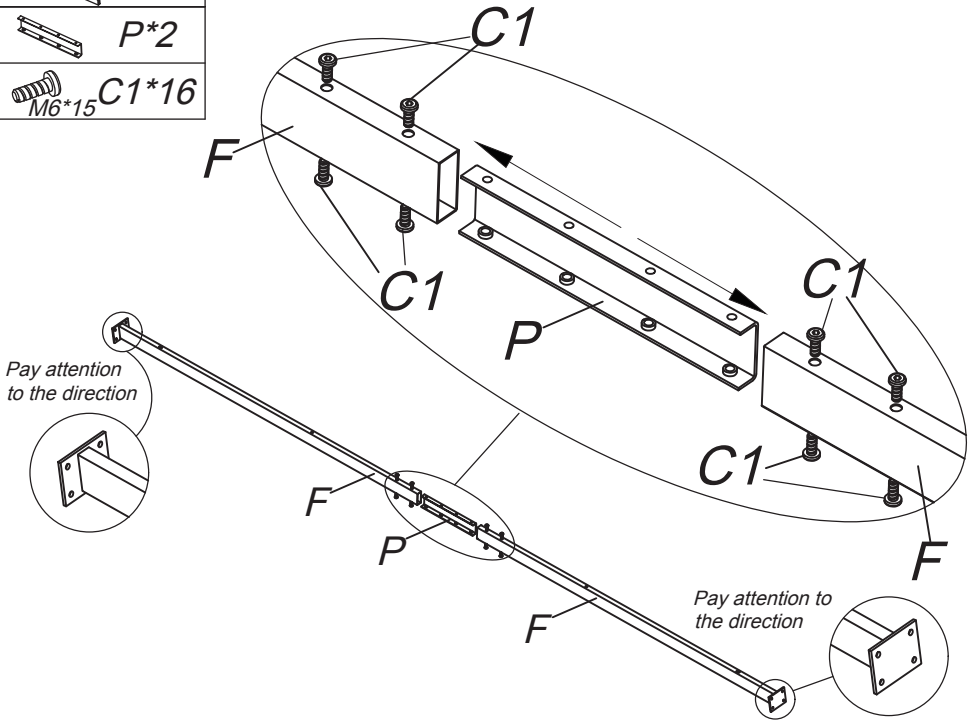


Please simultaneously insert both ends of pipe D and pipe E parallel into the slot connector O. After aligning the holes, then install the screws. It's important to insert the pipes parallel and align the screw holes properly to make screw installation easier.

# Gazebo with Hardtop Assembly

## Step 3


	F*4
	P*2
	C1*16 M6*15



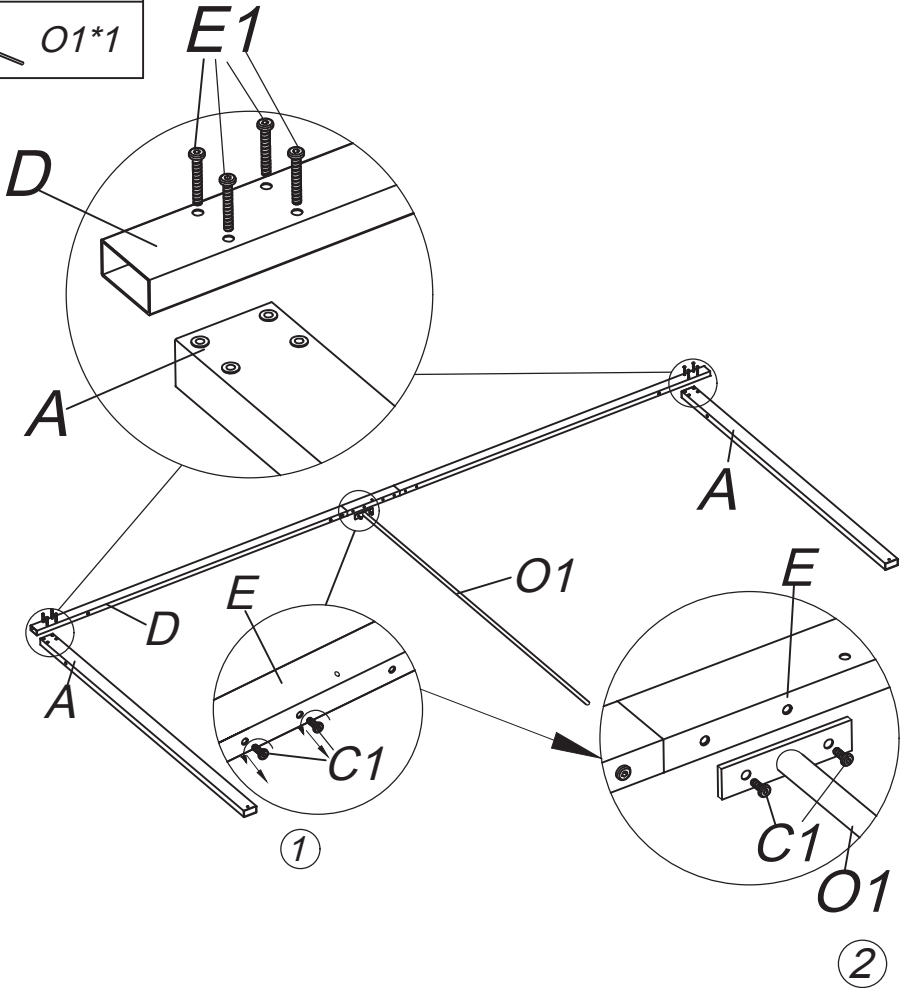
Please simultaneously insert both ends of pipe F and pipe F parallel into the slot connector P. After aligning the holes, then install the screws. It's important to insert the pipes parallel and align the screw holes properly to make screw installation easier.

# Gazebo with Hardtop Assembly

## Step 4


 E1\*8  
M6\*40


 O1\*1

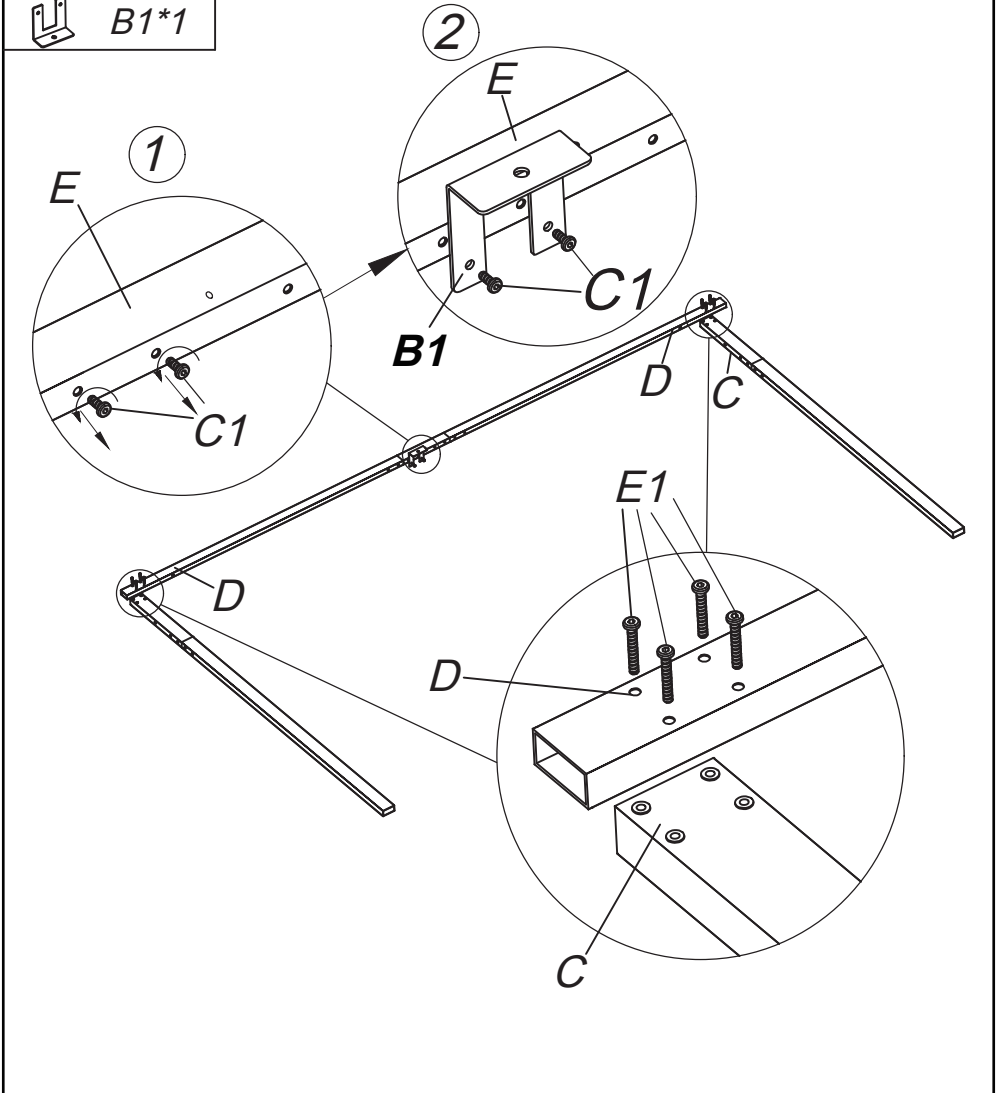


# Gazebo with Hardtop Assembly

## Step 5


 **E1\*8**  
**M6\*40**

 **B1\*1**

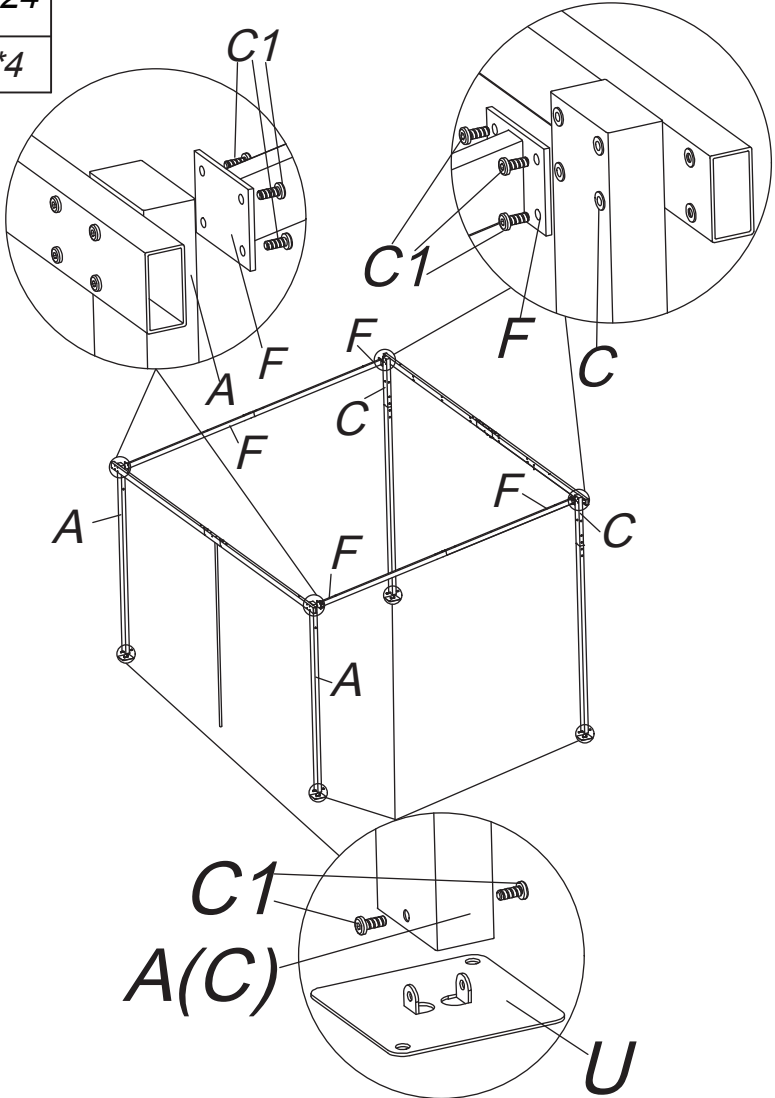


# Gazebo with Hardtop Assembly

## Step 6

 C1\*24  
M6\*15

 U\*4



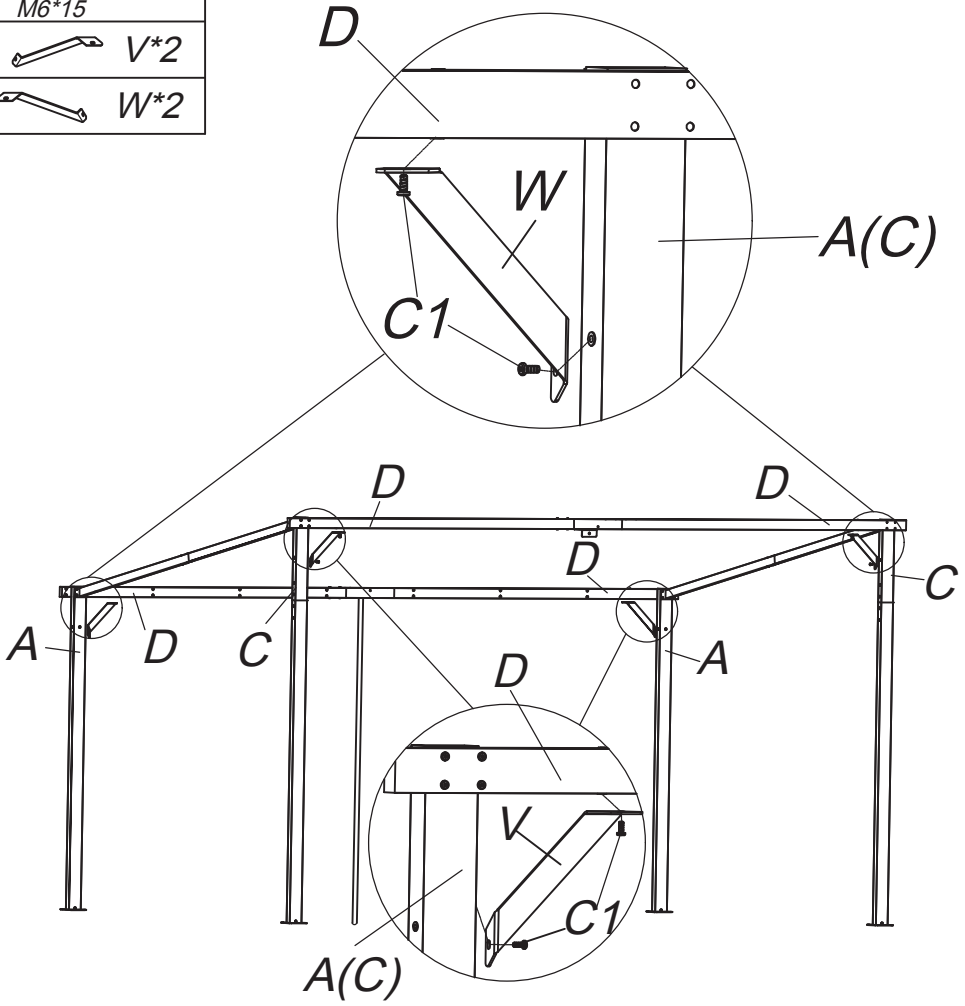
# Gazebo with Hardtop Assembly

## Step 7

 C1\*8  
M6\*15

 V\*2


 W\*2



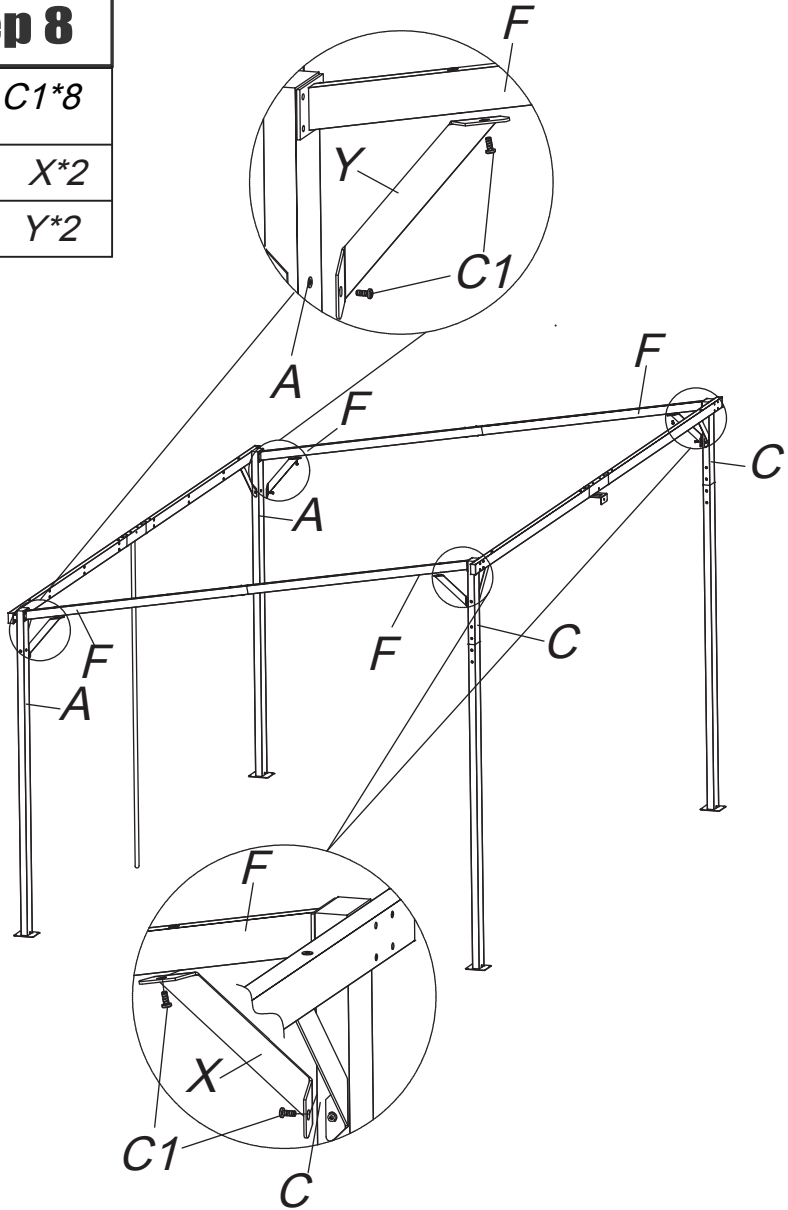
# Gazebo with Hardtop Assembly

## Step 8

 C1\*8  
M6\*15






 X\*2

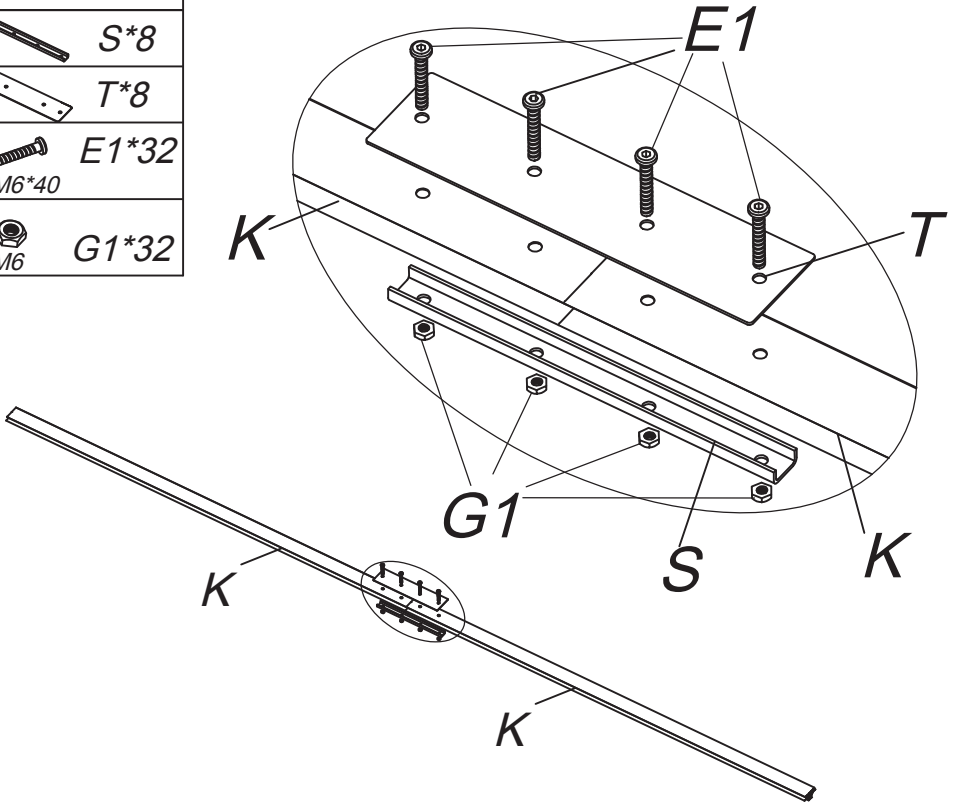
 Y\*2



# Gazebo with Hardtop Assembly

## Step 9


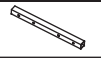
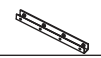

	<i>K*16</i>
	<i>S*8</i>
	<i>T*8</i>
 M6*40	<i>E1*32</i> M6*40
 M6	<i>G1*32</i> M6

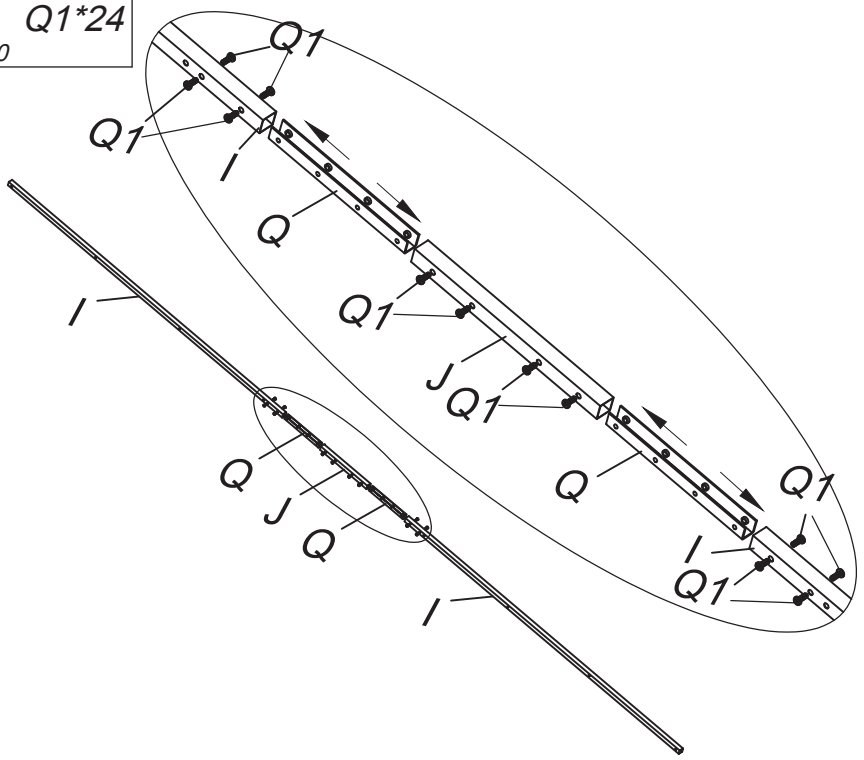


Please align the screw holes of parts T, K, and the lowest part S before installing the screws. It is essential to follow the installation method shown in the manual and ensure that the screw holes of all three parts are properly aligned. Only then will the screws pass through the holes smoothly.

# Gazebo with Hardtop Assembly

## Step 10






	I*4
	J*2
	Q*4
	Q1*24 M6*10

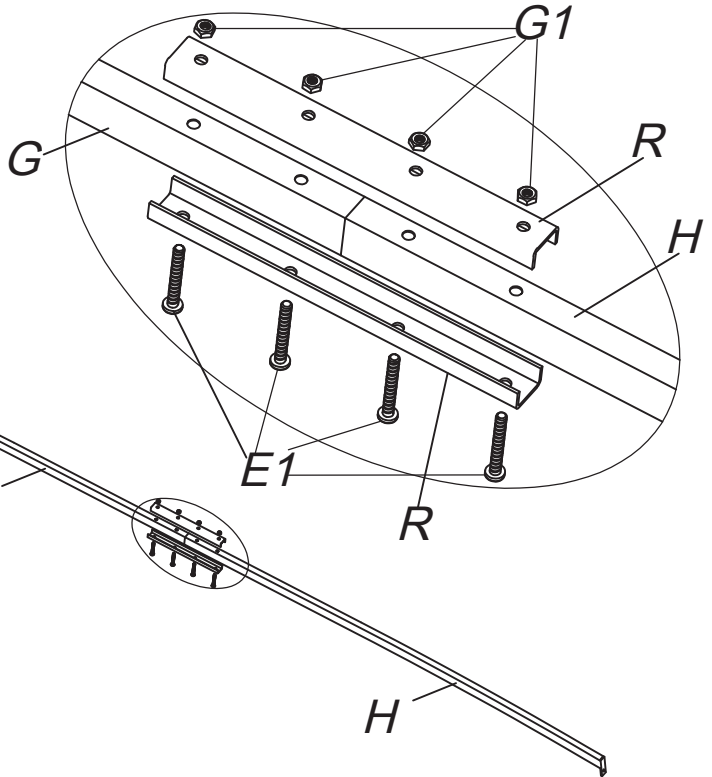


Please simultaneously insert both ends of pipe I and pipe J parallel into the slot connector Q. After aligning the holes, then install the screws. It's important to insert the pipes parallel and align the screw holes properly to make screw installation easier.

# Gazebo with Hardtop Assembly

## Step 11


	G*1
	H*1
	R*2
 M6*40	E1*4
 M6	G1*4




Please follow the direction shown in the diagram and position part R to fully cover parts G and H. Ensure that the screw holes are aligned both horizontally and vertically. Once the screw holes are properly aligned, proceed to install the screws. It is crucial to align the screw holes of all three parts as shown in the manual to allow the screws to pass smoothly through the holes.

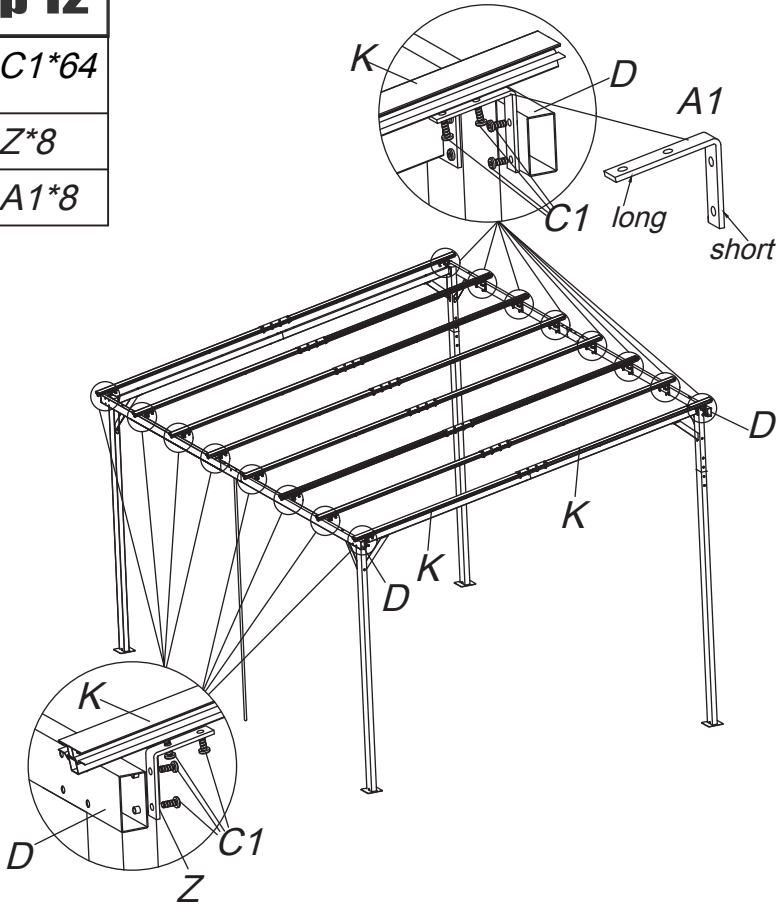
# Gazebo with Hardtop Assembly

## Step 12

 C1\*64  
M6\*15

 Z\*8


 A1\*8




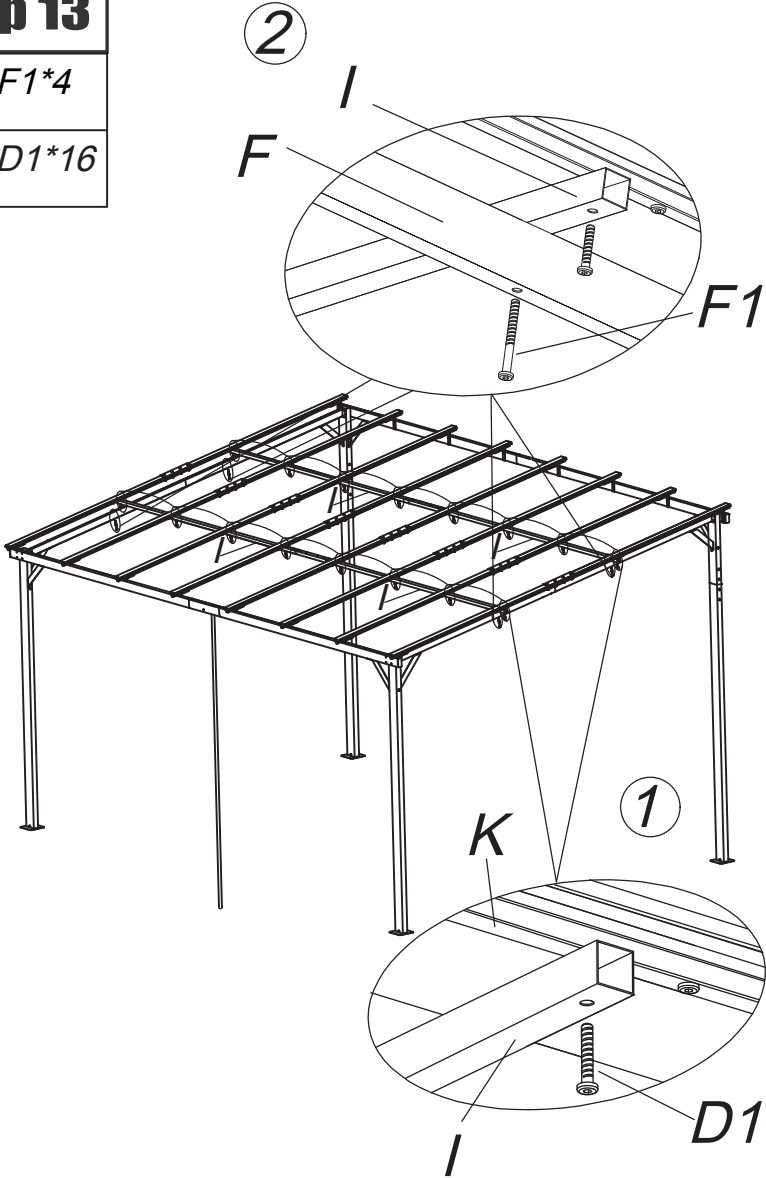
Please ensure that the L-shaped accessory labeled 'Z' is installed in the position shown in the diagram. Both ends of the 'Z' labeled component are the same length. However, the accessory labeled 'A1' has different lengths on each side. Be sure to follow the diagram to distinguish the longer side from the shorter side for proper installation.

# Gazebo with Hardtop Assembly

## Step 13


 **F1\*4**  
M6\*65

 **D1\*16**  
M6\*35

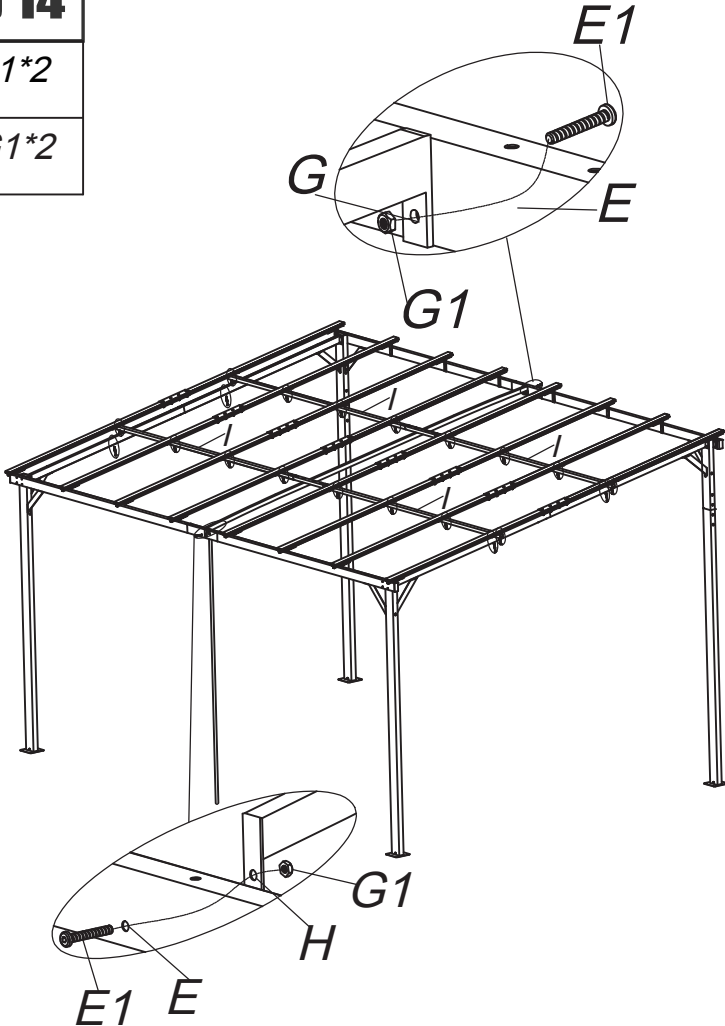


# Gazebo with Hardtop Assembly

## Step 14

 **E1\*2**  
M6\*40

 **G1\*2**  
M6



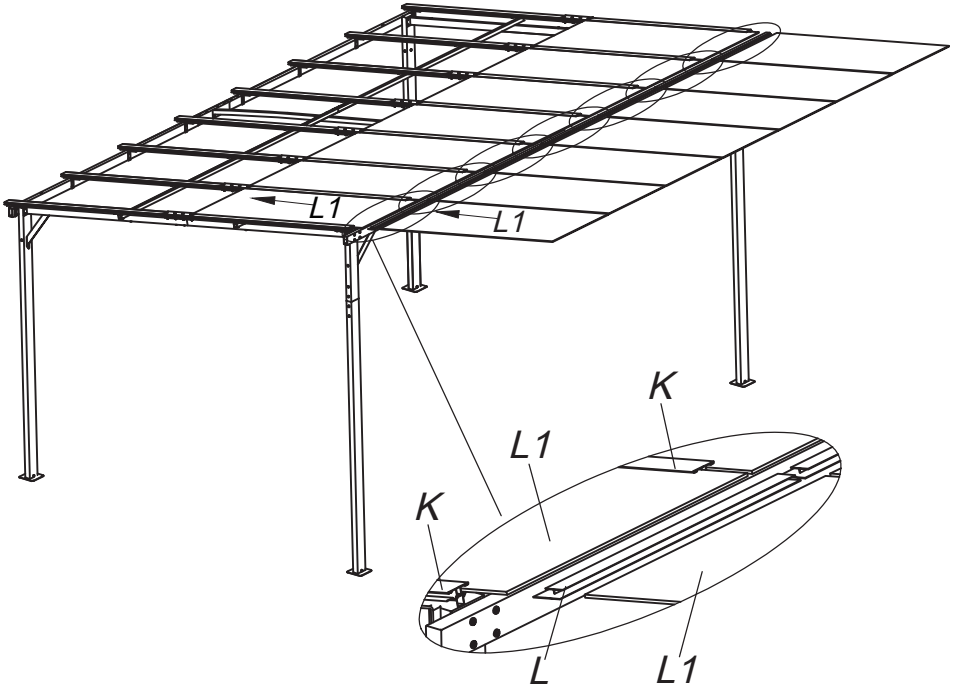
Please prepare the ladder before you install the gazebo so that you can install the highest part of the structure when you install the awning posts. The highest point of the product is over 8 feet.

# Gazebo with Hardtop Assembly

## Step 15

 L\*7

 L1\*14








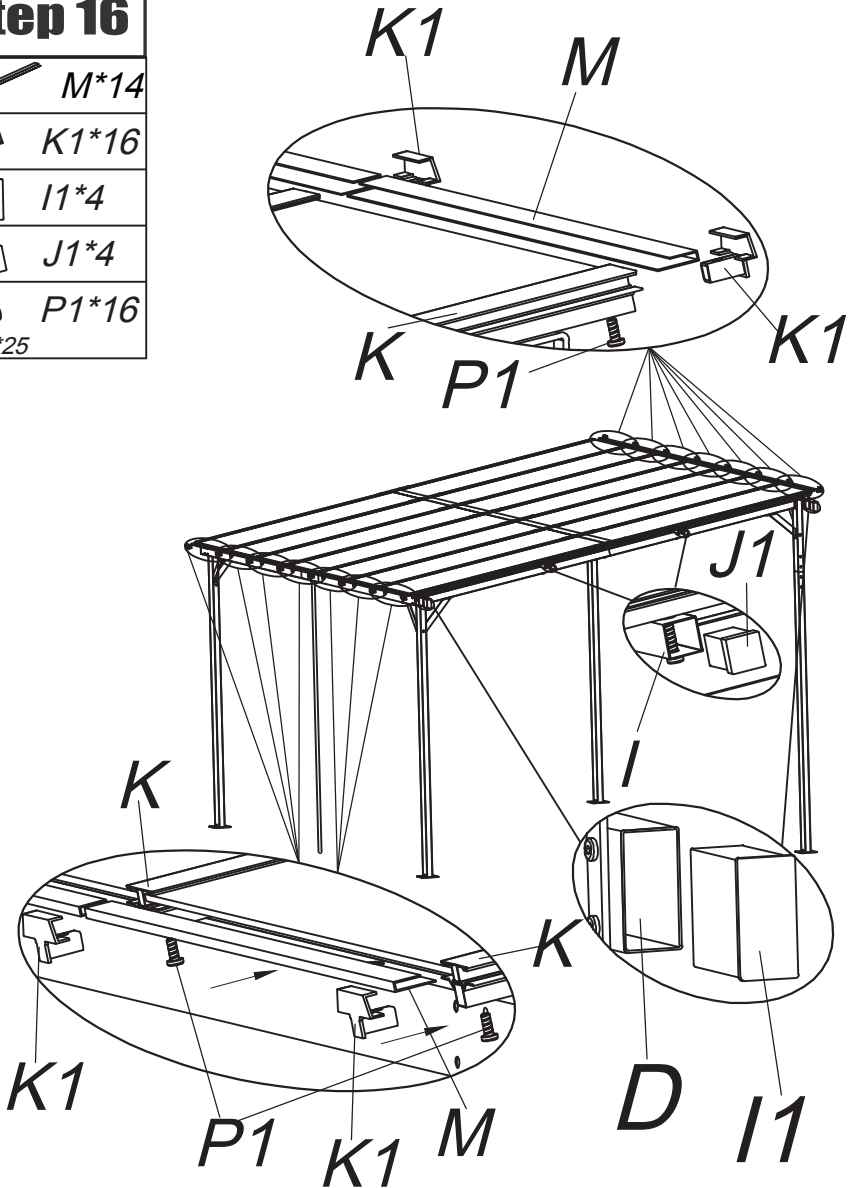
*Pay attention  
to the direction*

Please prepare the ladder before you install the gazebo so that you can install the highest part of the structure when you install the awning posts. The highest point of the product is over 8 feet.

# Gazebo with Hardtop Assembly


## Step 16

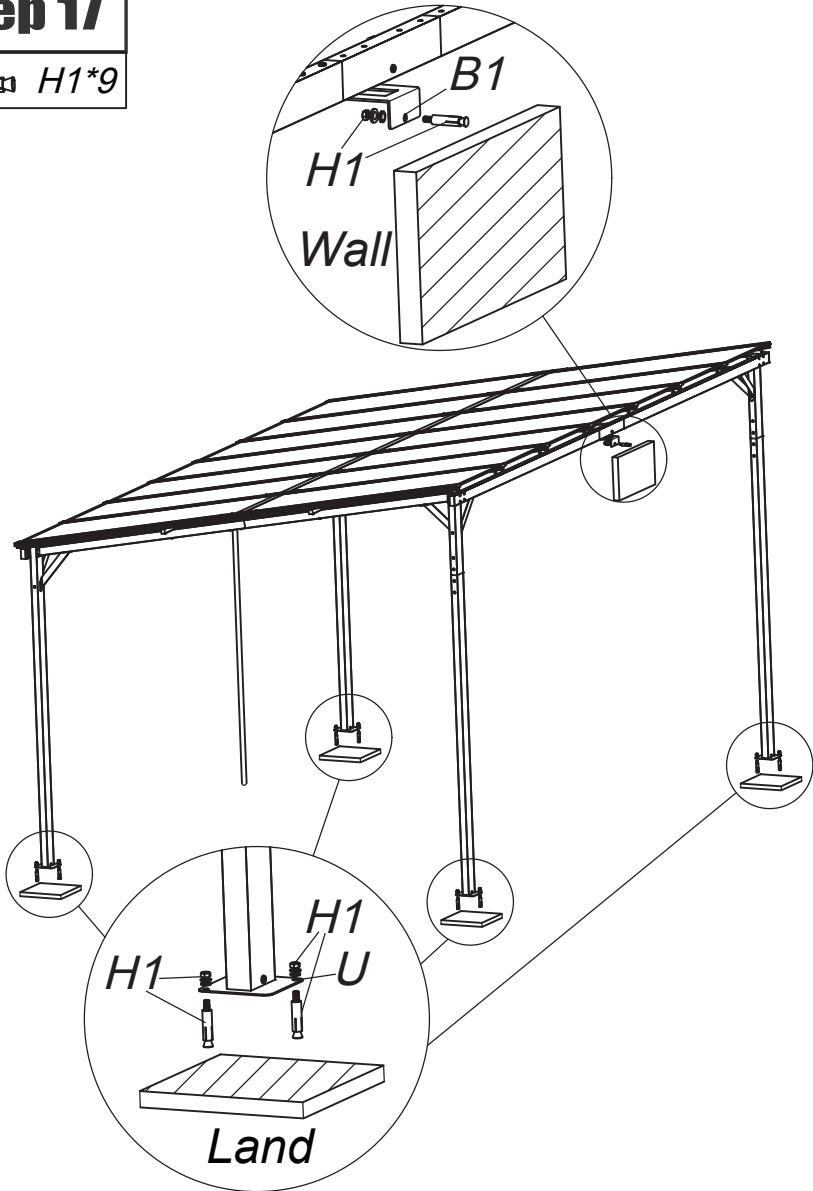
-  M\*14
-  K1\*16
-  I1\*4
-  J1\*4
-  P1\*16  
M6\*25



# Gazebo with Hardtop Assembly

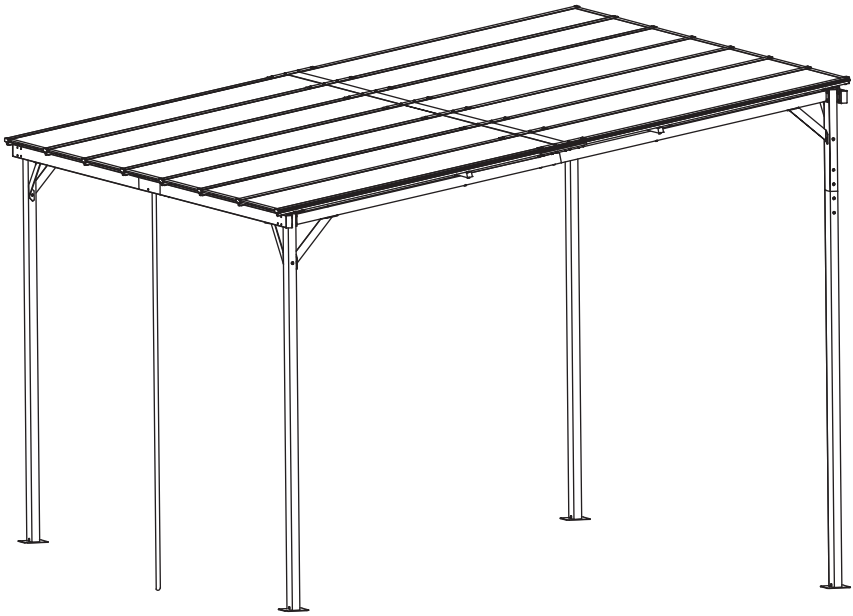
## Step 17

 H1\*9



# Gazebo with Hardtop Assembly

## Step 18



## CONTACT US

If you order products on our store:

Please contact our service team if you need help. The service email is [serviceteam@yalissey.com](mailto:serviceteam@yalissey.com)

(Guaranteed response within 24 hours)

If you order our products on Amazon/Walmart/Wayfair etc.

Log in Amazon/Walmart/Wayfair etc. to contact the seller.

Order>Sold By>Contact Seller

## WARRANTY

So glad you have completed the assembly and can enjoy it.

If you are satisfied with our products, thank you for showing your favored **GAZEBO** to your around.

### **Customer Service:**

Any problem with the product or shipping issue, please feel free to contact us, we will try our best to serve and help.