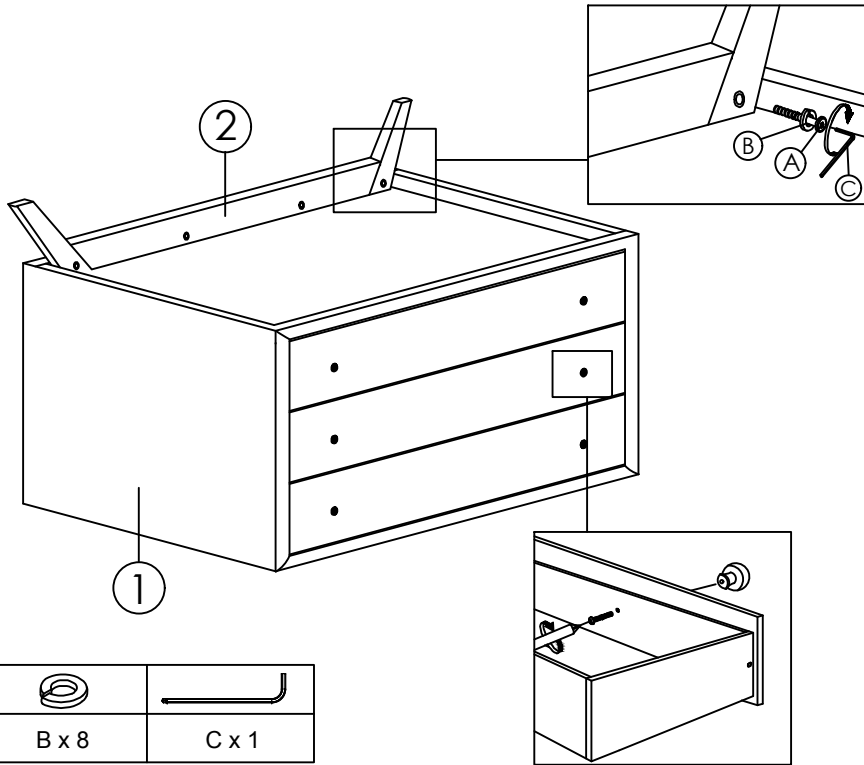

STEP 1 :

1. Place **Dresser(1)** on a carpeted surface. Attach **Dresser Legs(2)** into **Dresser(1)** by inserting **JCBC SCREW M6 x 30mm (A)** and **Spring Washer $\frac{1}{4}$ "(B)**. Tighten with **M4 Allen Key(Ball Shape)Long(C)**.



Hardware & Tool required

STEP 2 :

