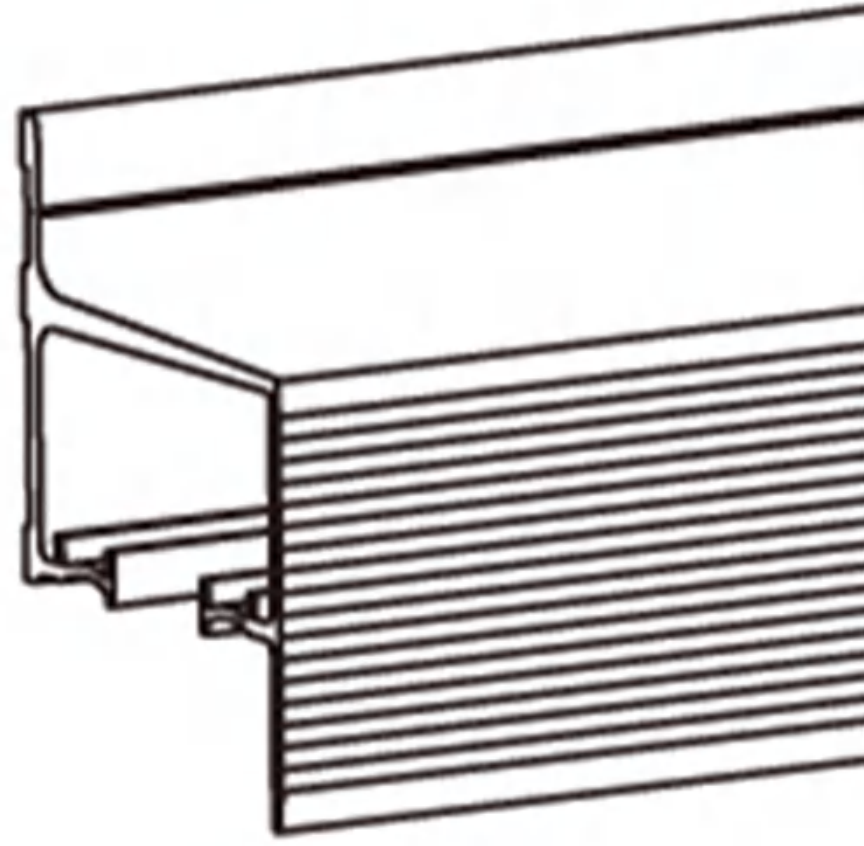
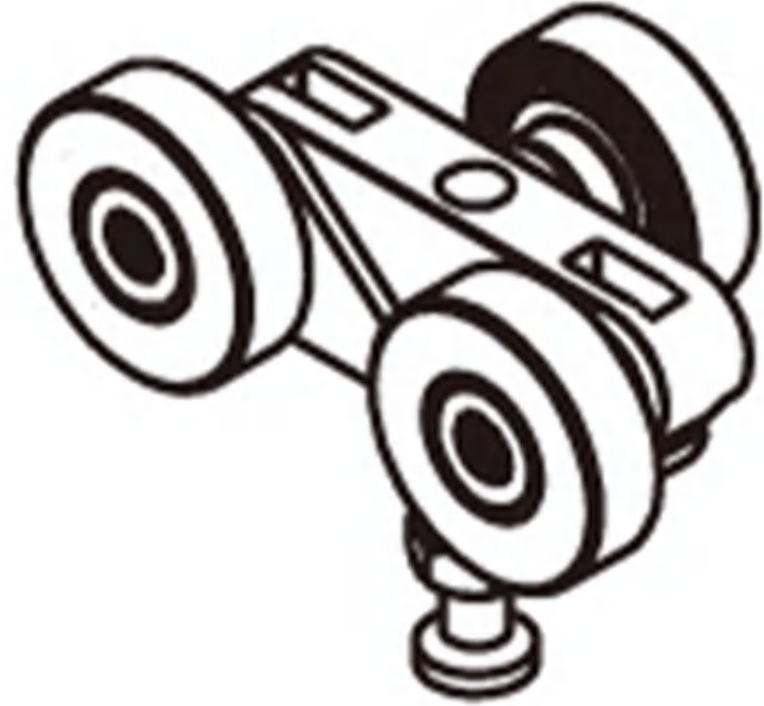

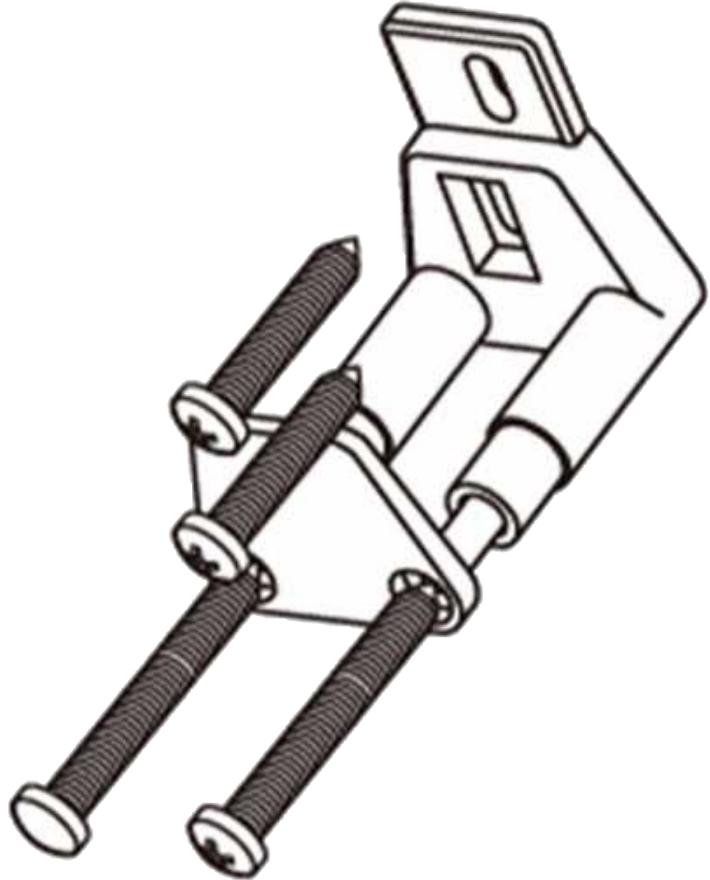
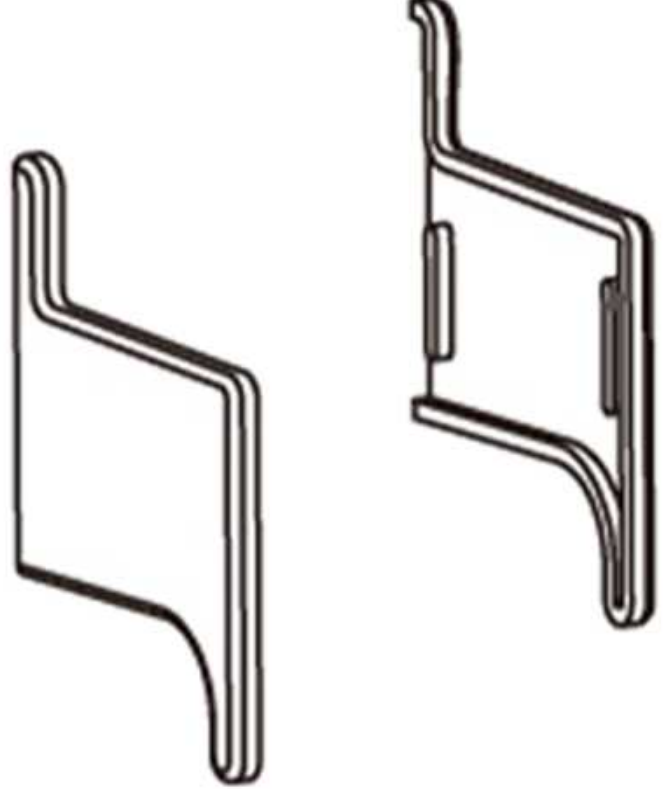
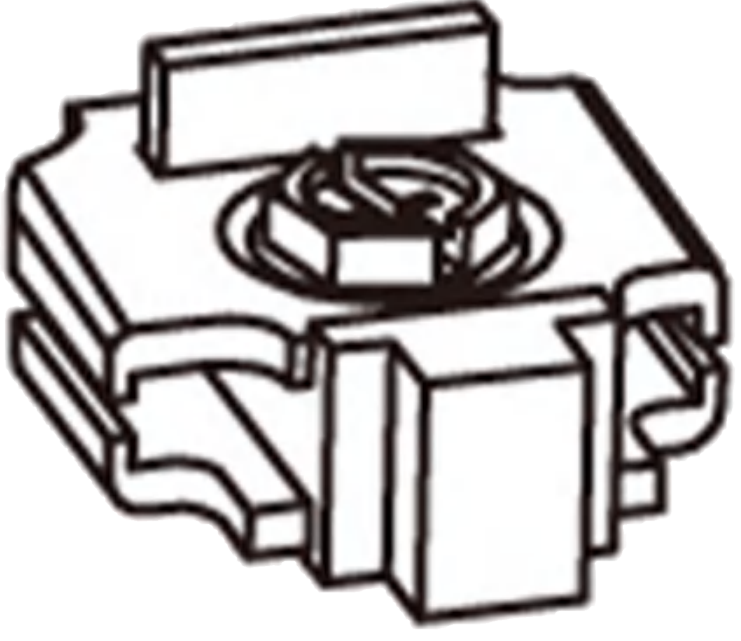


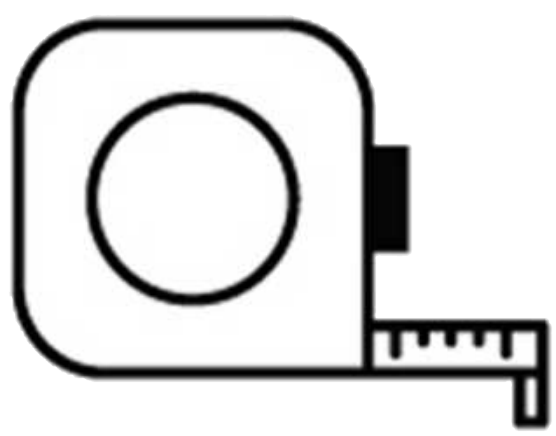


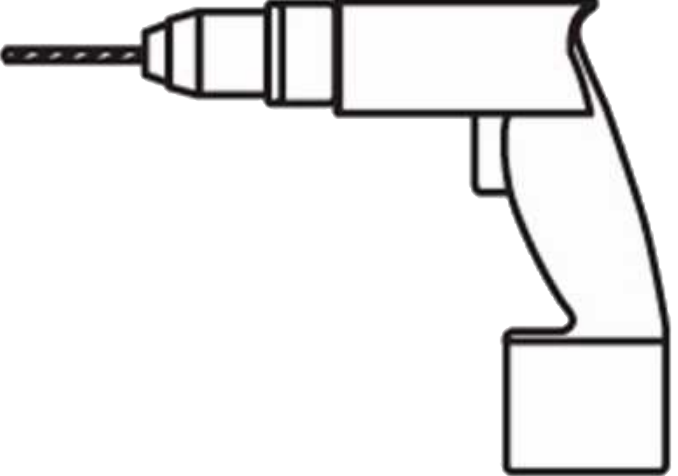


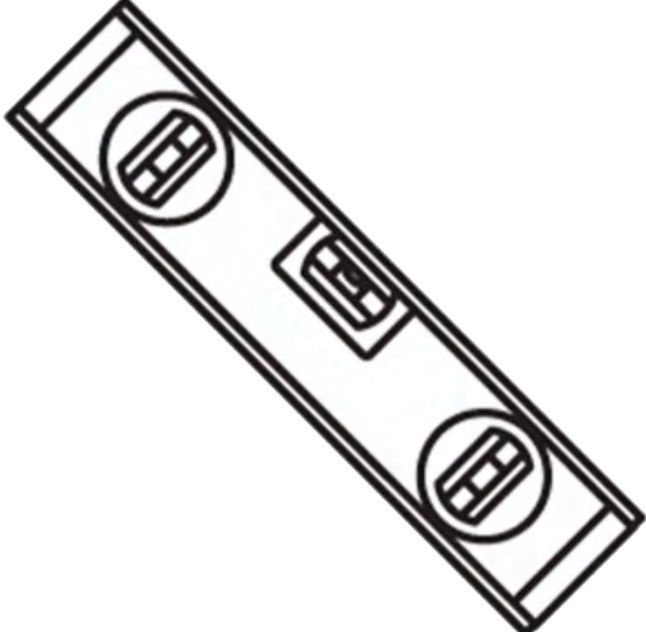
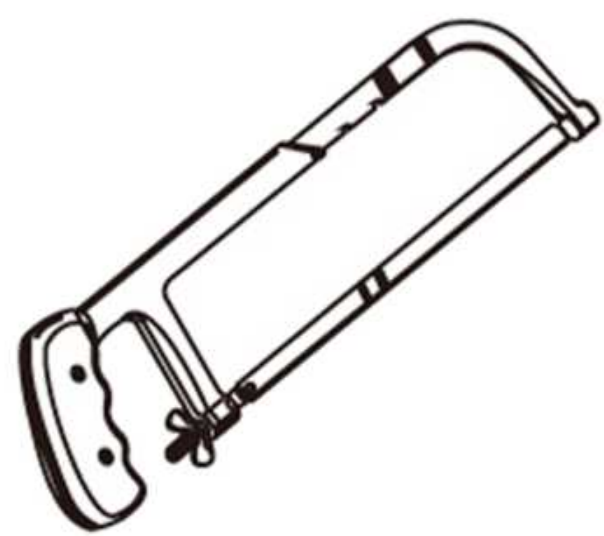



# Installation Instruction

## PACKAGE CONTENTS

				
Wall Mount Track X1	Hangers X2	Hanger Plates X2	Wall Mounted Door Guide X2	Track End Caps X2
				
Track End Stops X2	Wrench		Fastener Bag X1	

## TOOLS REQUIRED(NOT PROVIDED)

				
Measuring Tape	Pencil	Sand Paper	Cordless Drill	3/16'' Drill Bit
				
Phillips Screwdriver	Level	Hacksaw or Fine Tooth Blade	Stud Finder	

# PLEASE READ CAREFULLY

- Read all instructions carefully.
- Protect your eyes by wearing safety goggles
- Keep the installation area free of clutter.
- Follow each step completely before starting the next step.

## BEFORE YOU BEGIN INSTALLATION

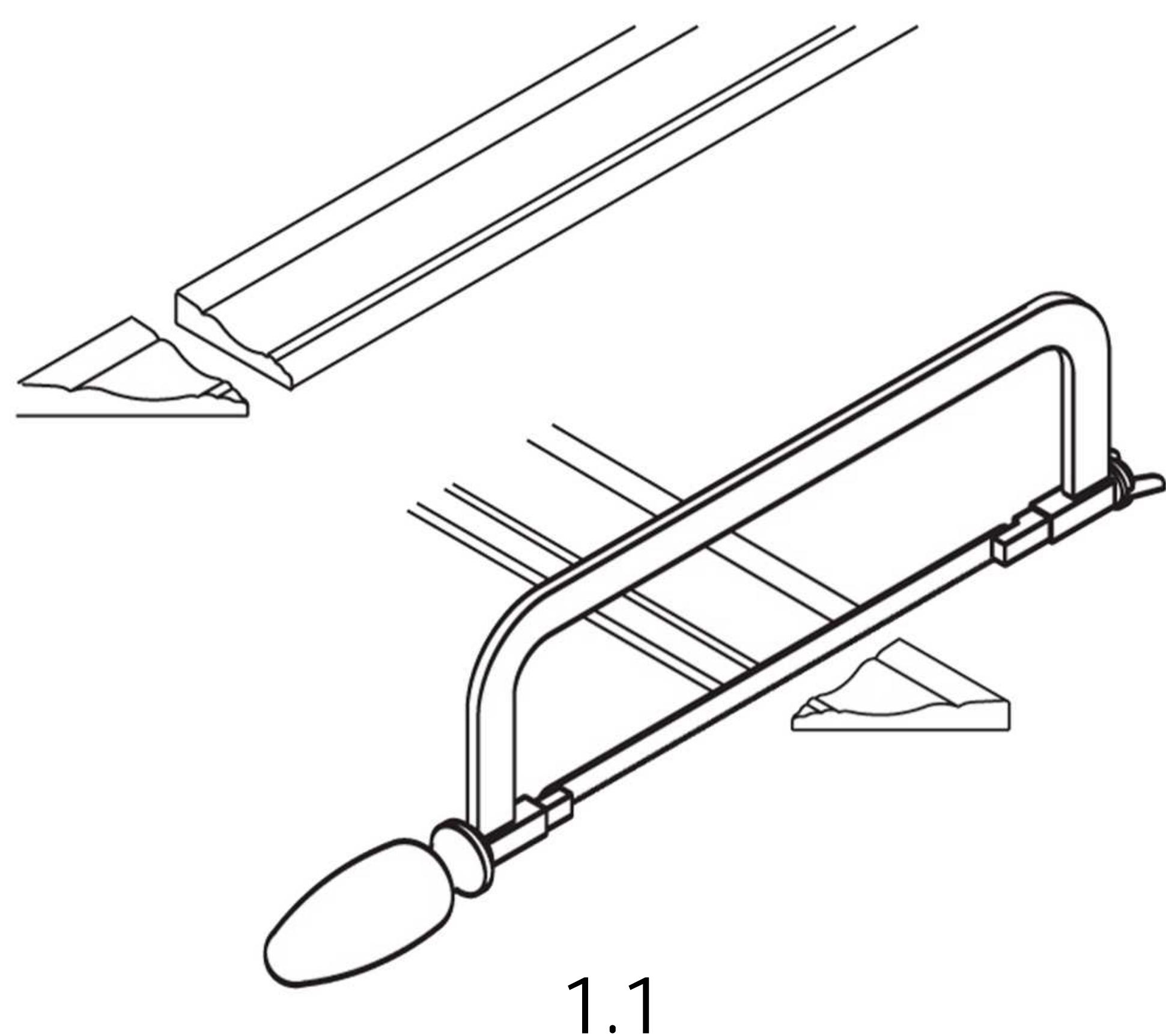
A piece of wood blocking (sold separately) may be required for installation should your opening be finished with casing to ensure smooth travel of door operation by clearing any casing or floor trim. As a guide, the wood blocking thickness is determined by the thickness of your side-to-side to avoid obstruction casing, typically no more than 1".

If installing an 80" door, it will be necessary to remove the top casing to install the wood blocking. For installing an 84" door, the wood blocking can be installed above the horizontal top casing. Paint the wood blocking to match your wall or casing finish.

Should you have no casing around your finished opening, it may not be necessary to install the wood blocking, instead installing the wall mount track directly on your wall. Measure to ensure smooth travel of door side-to-side to avoid obstruction of operation by clearing any casing, electrical outlet, switch or floor trim.

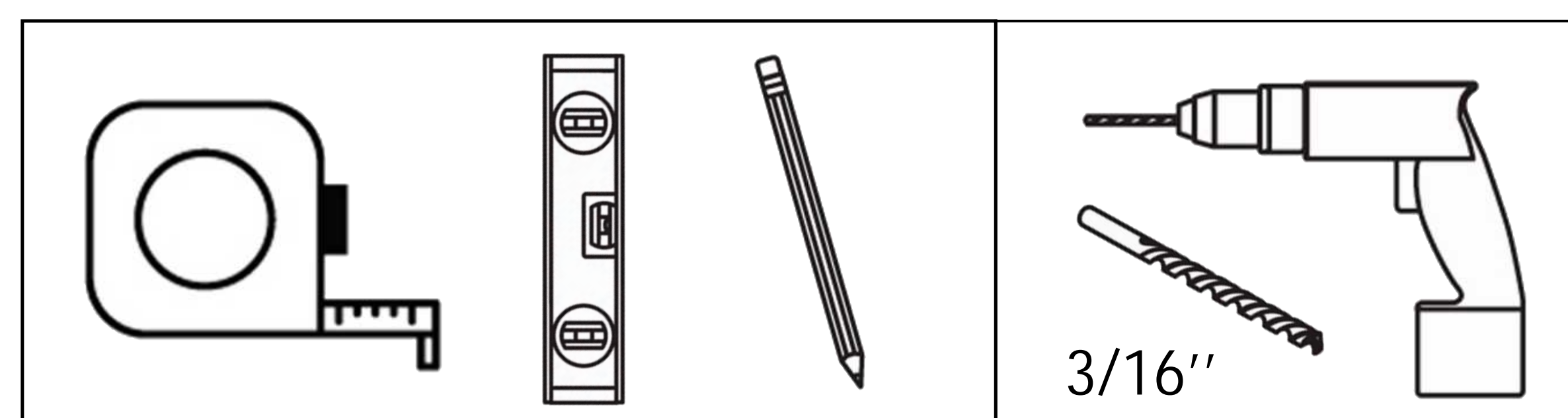
Use a stud finder to install safely for any of these installation options.

## STEP 1 Door Installation



### Step 1.1 :

Remove the casing from around the opening, square cut the mitered ends of the vertical casing pieces. Sand down if necessary and re-attach the vertical casings only, discarding the top casing piece. Sand and paint to finish.

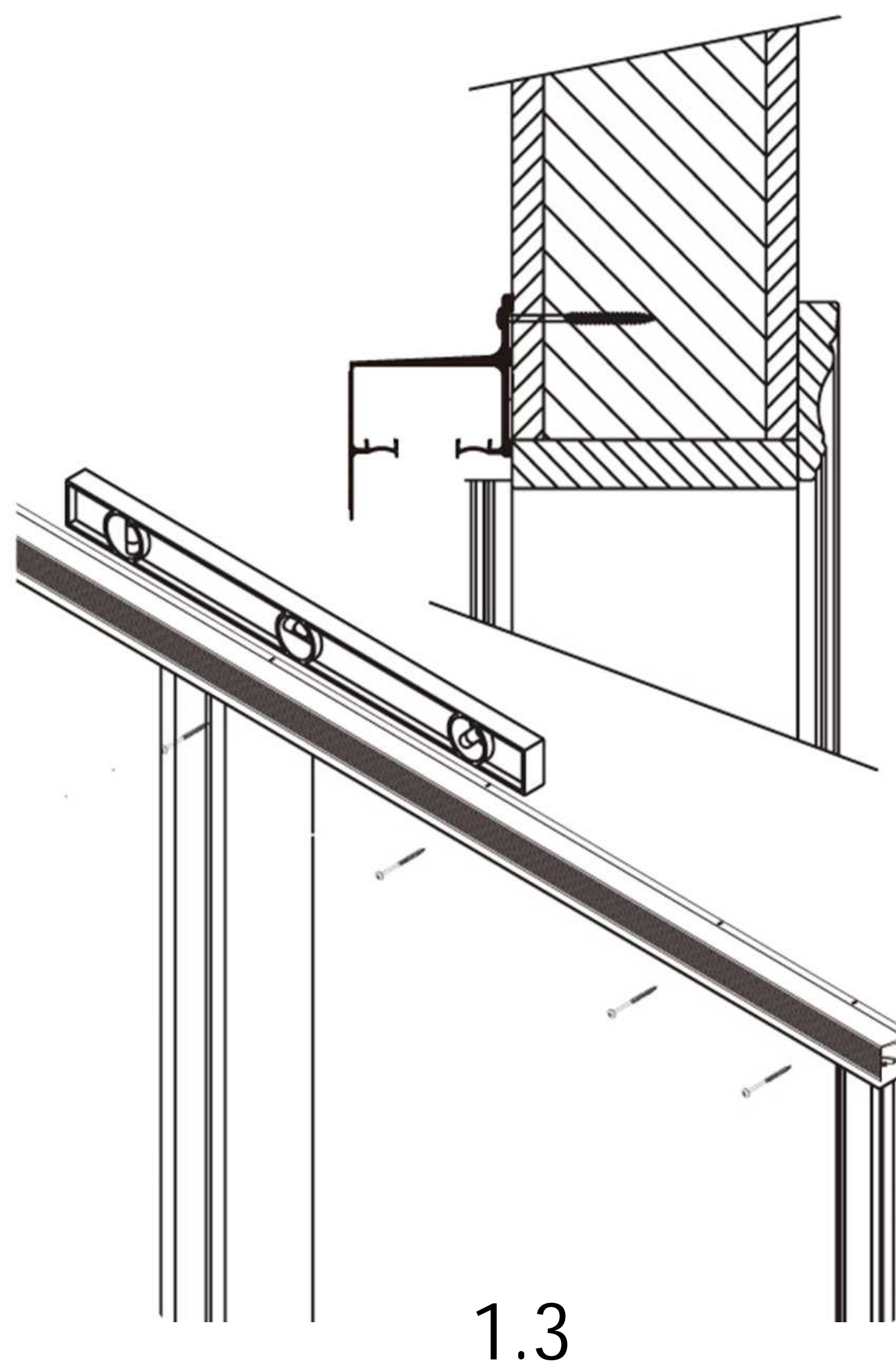
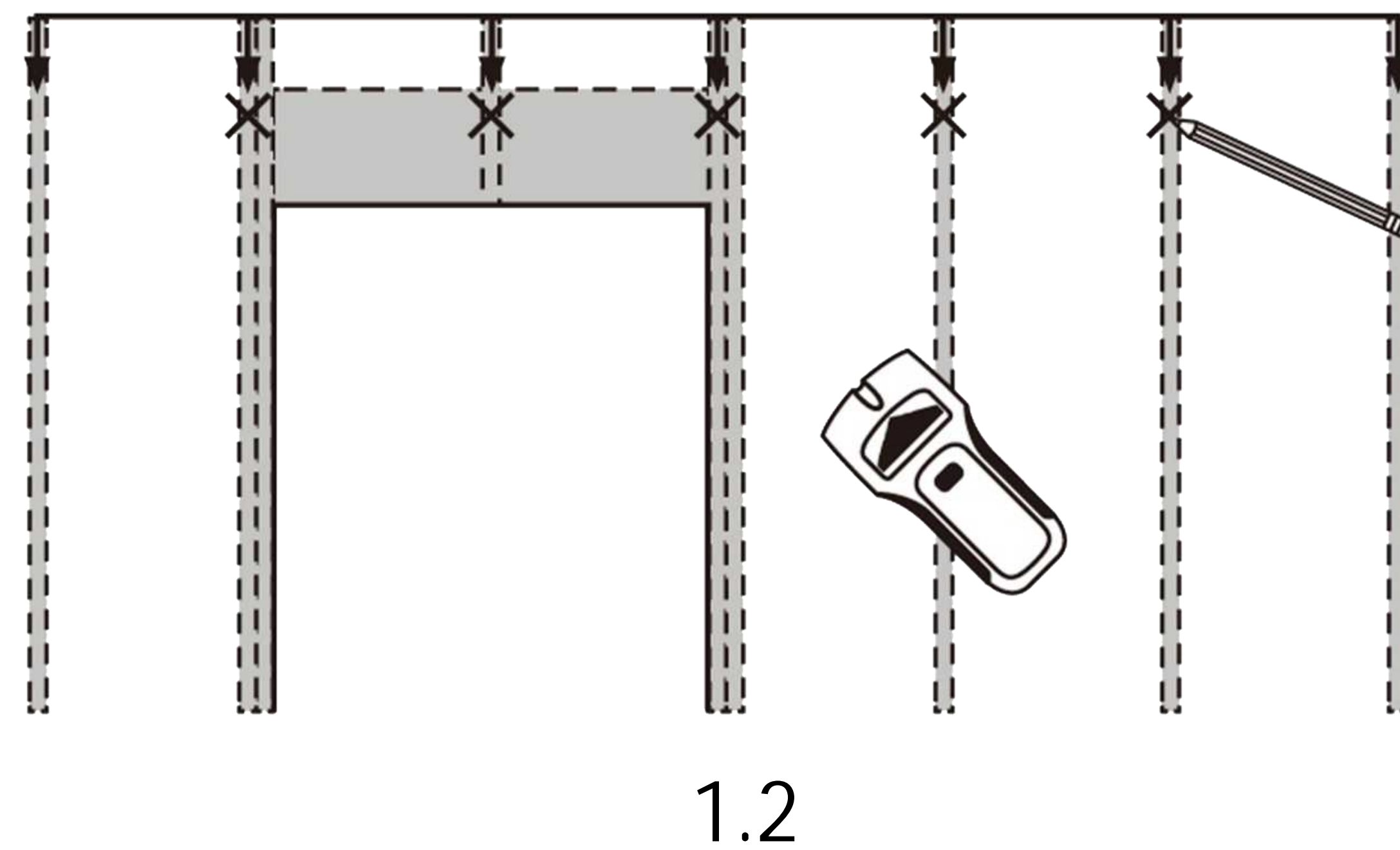


# STEP 1 Doornstation

Step 1.2 :

Use stud finder to find and mark the stud locations.

**Note :** Ensure door clearance for any electrical outlets or switches



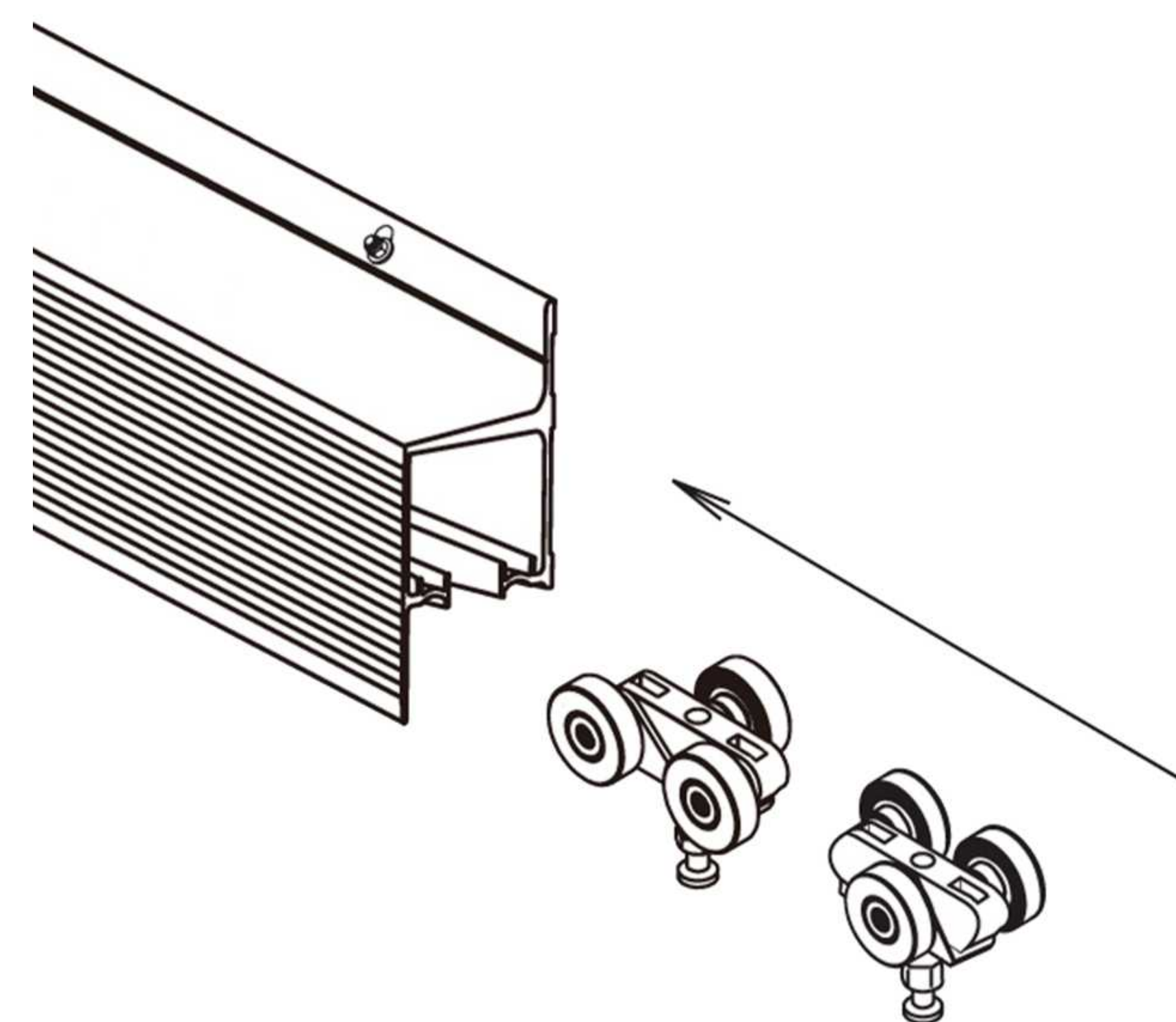
Step 1.3 :

Position Wall Mount Track 2" beyond the the inside jamb opening (dooropening side), Mount the Wall mount bracket according to the panel height plus 2 3/4" to the top of the track. Pre-drill 3/16" holes in the Bracket corresponding to the studs and attach using #10 x 2" pan head screws (Not included) ensuring it is horizontal using a level.

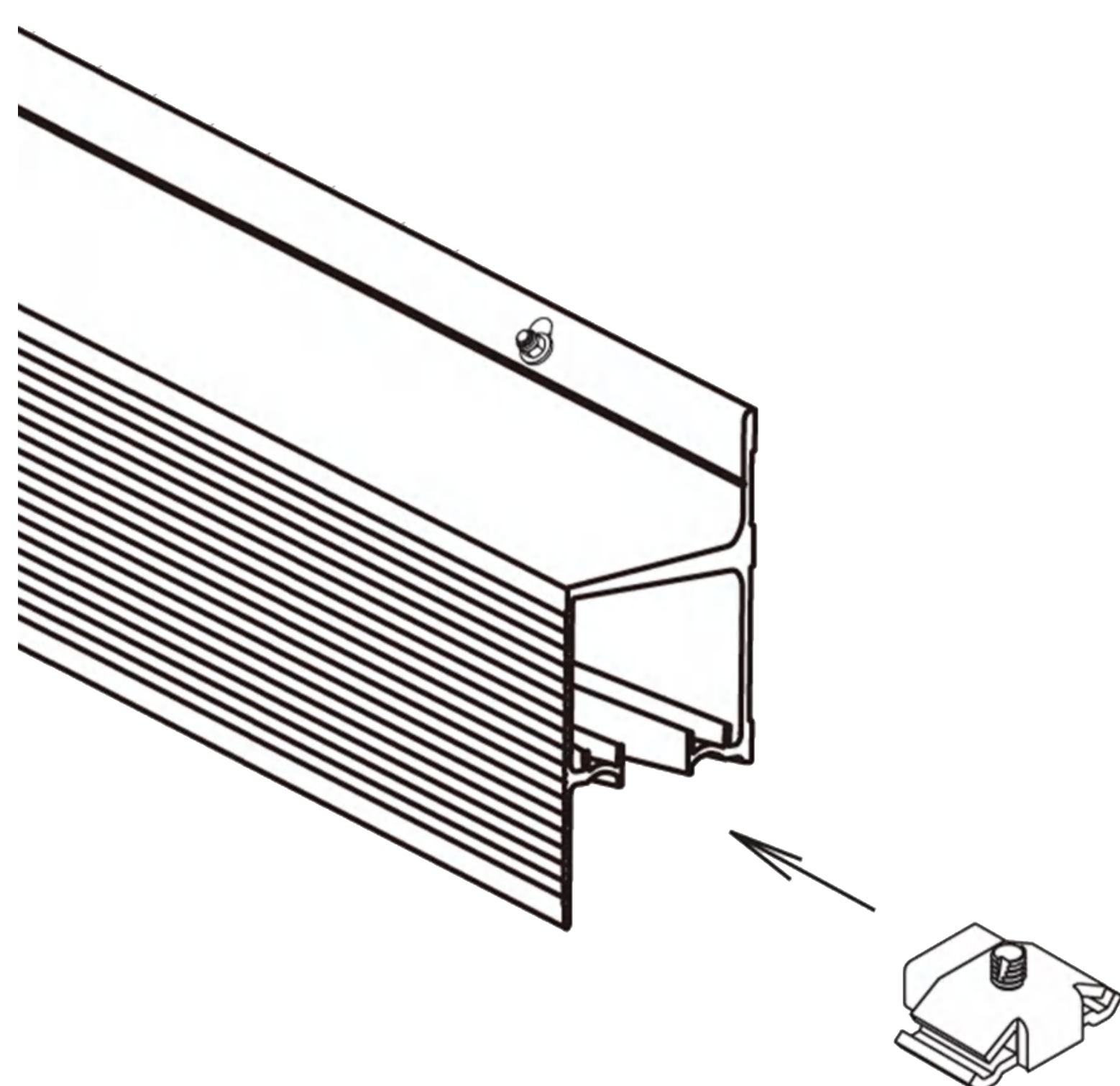
**Note :** Track must be level or door will not stay in position.

# STEP 2 Insert 3 Wheel Hangers

Insert each 3 Wheel Hanger into the end of the Wall Mounted Track as shown in the image.



# STEP 3 Install End Stops



Install the Track End Stops one in each end of the Wall Mounted Track with the rubber stoppers facing inward.

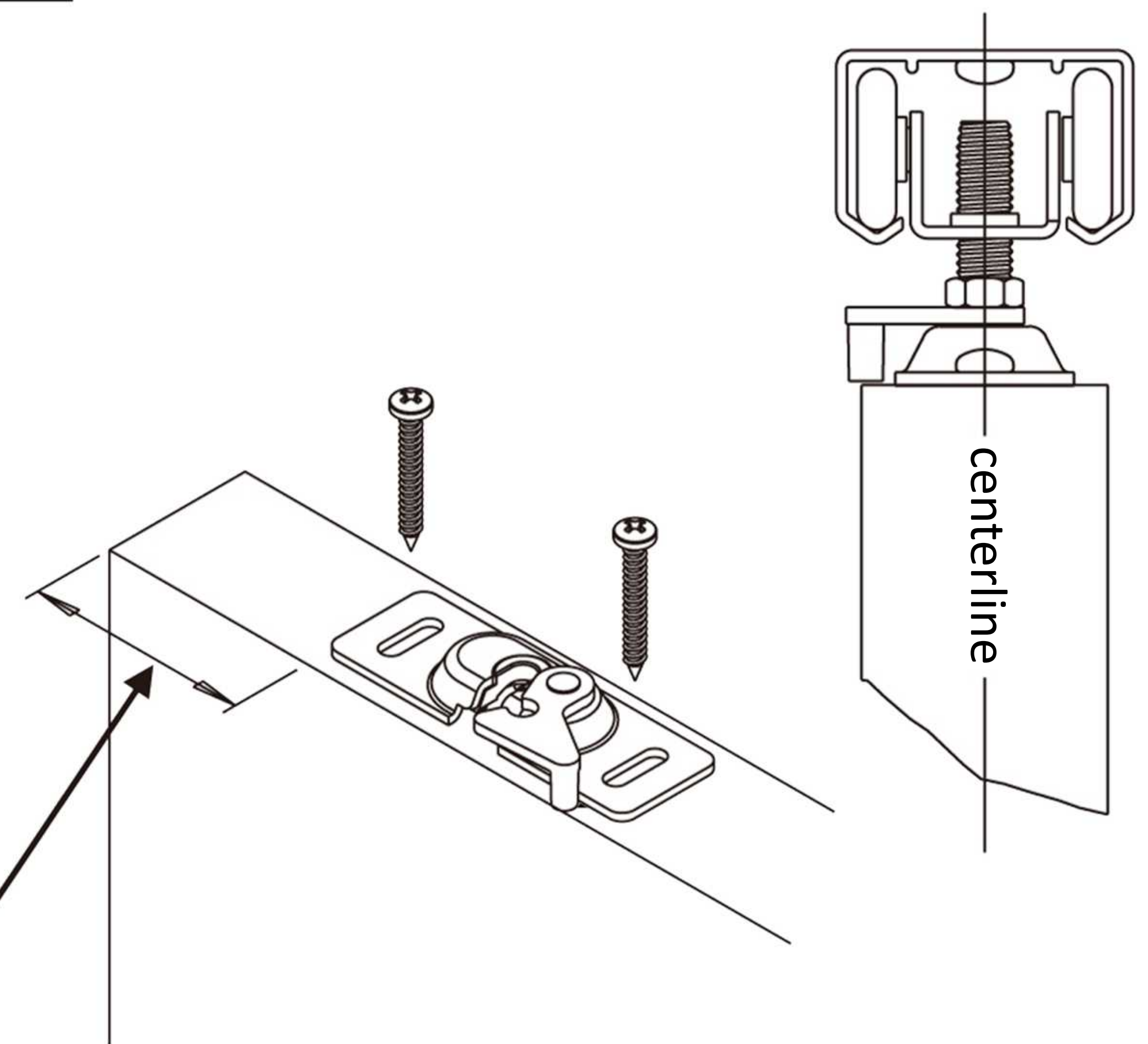
**Do not tighten at this time.**

**Note :** Position one End Stop when the door is fully closed (in the centre of the door frame), Position the other when the door fully clears the opening.

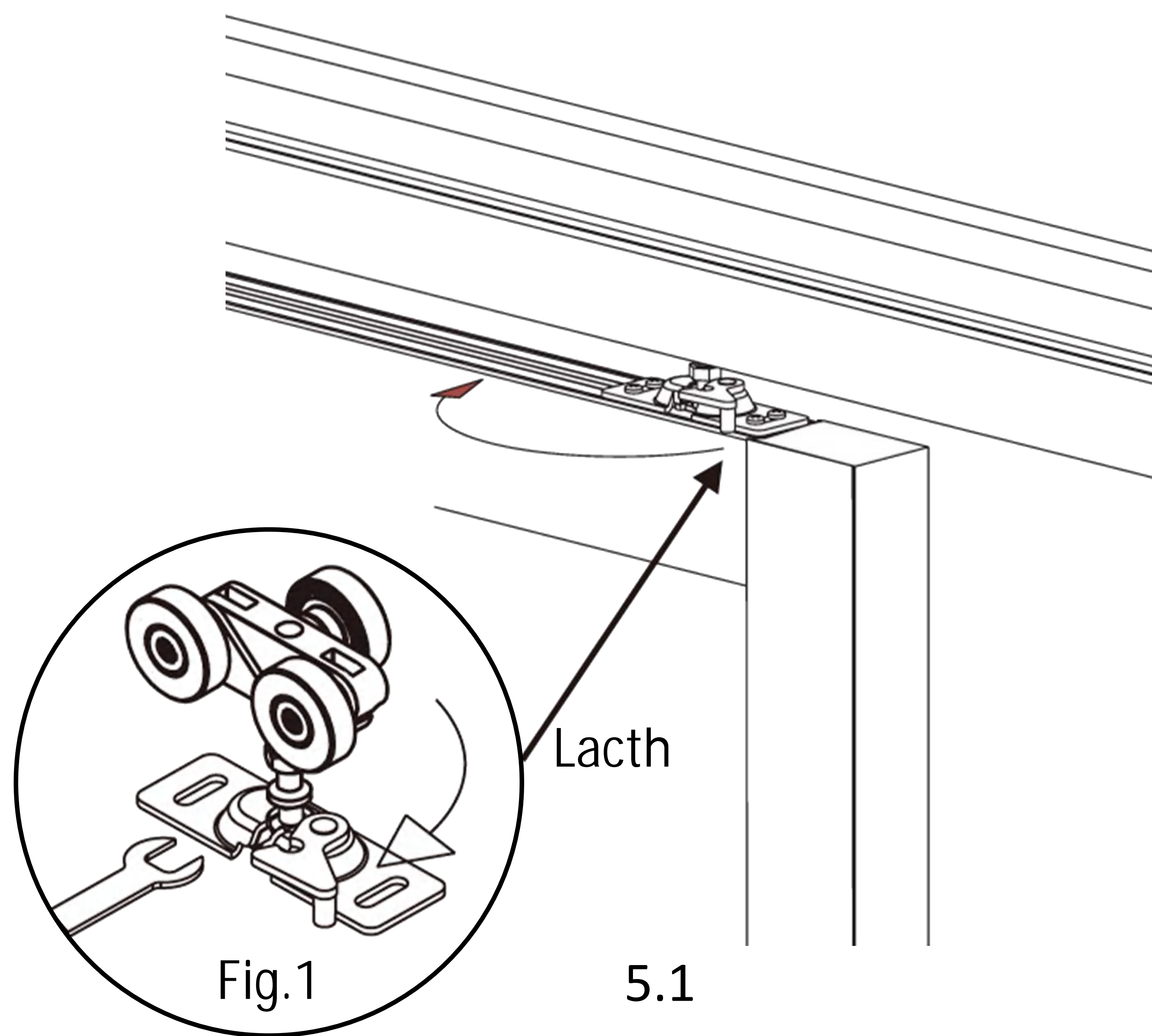
## STEP 4 Hanger Mounting Position

Mount centerline of door hanger plates onto the top of the door as illustrated, ensuring the slots face the same direction.

51 mm ( 2" )  
from rear edge of door!



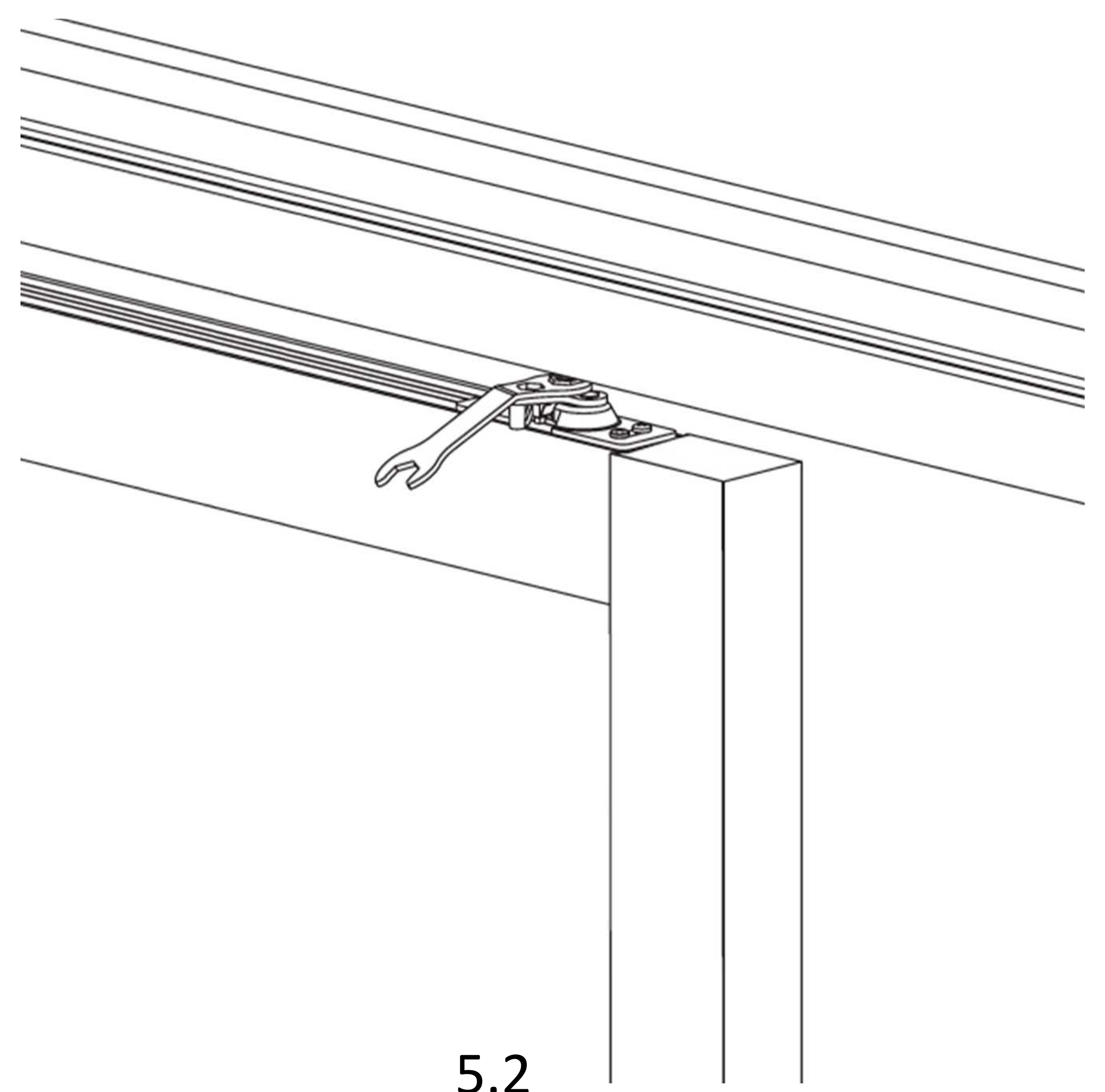
## STEP 5 Hang the Door



Step 5.1 :

Hang the door by aligning each 3 Wheel Hanger pivot bolt end into the slot in each mounting plate on the door.

Turn latch to secure hanger (Fig.1).



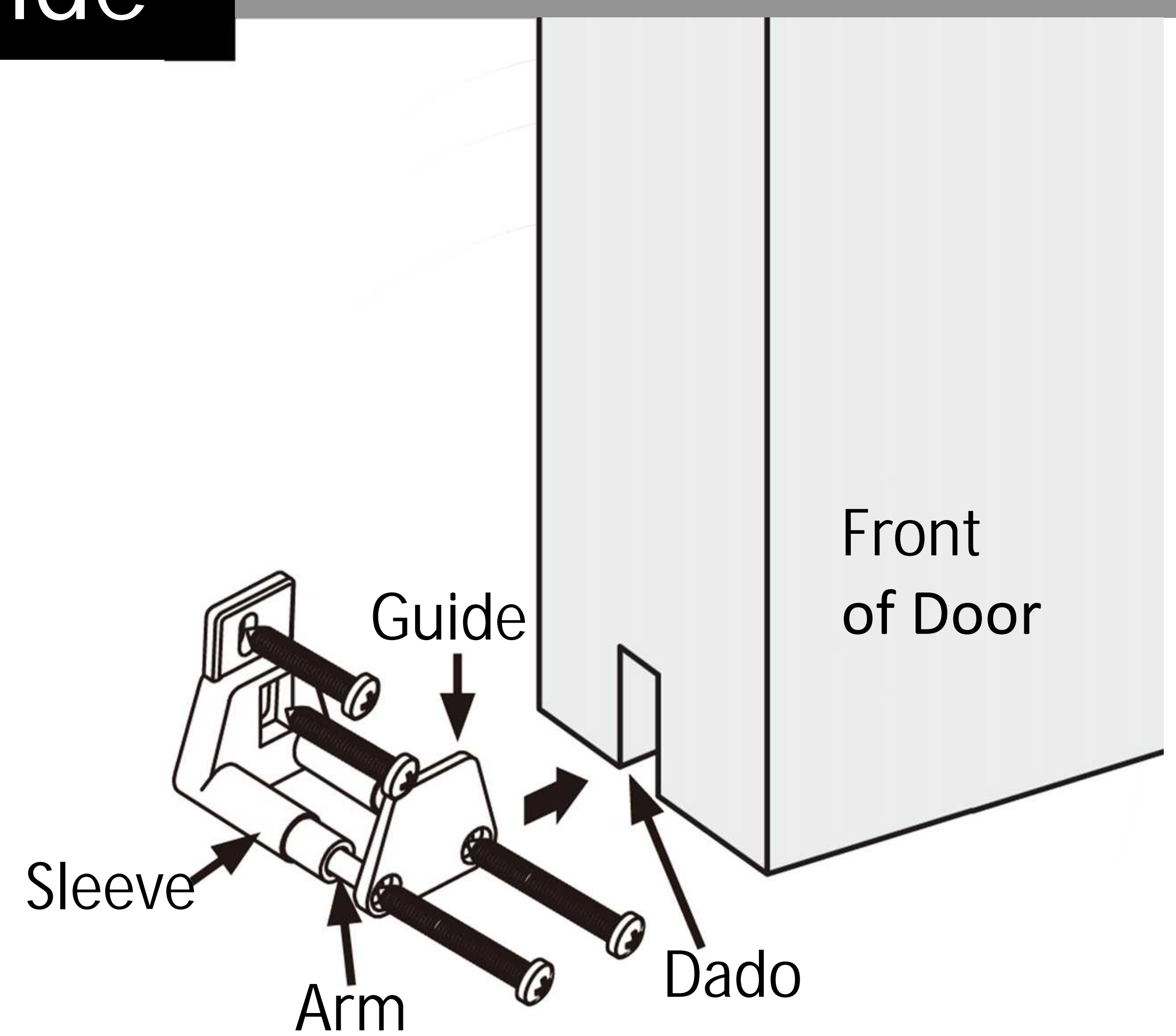
Step 5.2 :

Adjust the door for height above the floor and for squareness to the solid jamb, by turning the hex portion of the hanger bolt with the wrench supplied.

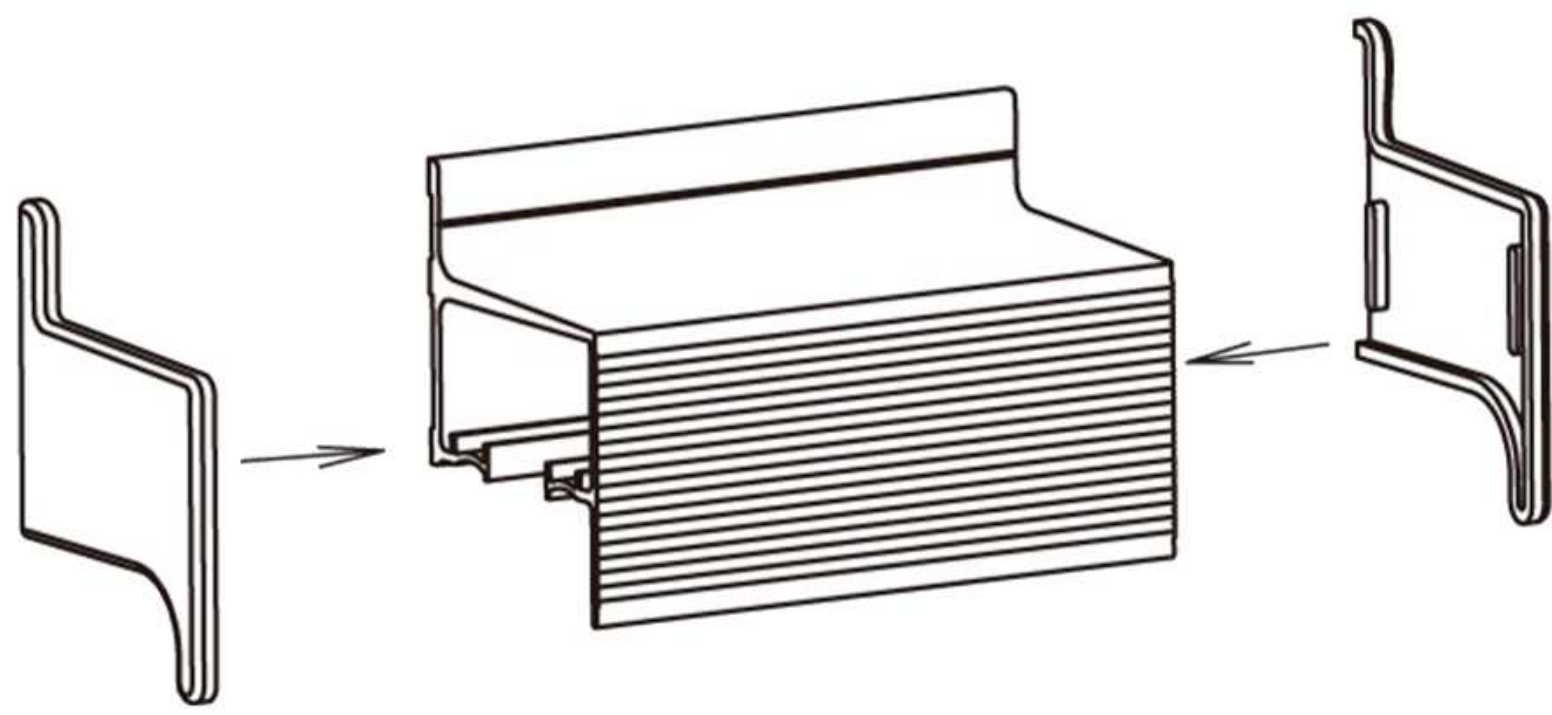
## STEP 6 Installing the Wall Door Guide

With the screws provided secure the guide 1½ inch (3.8 cm) from the door jamb directly into the baseboard or wall. Line up the guide with Dado location by pushing Guide arm in or out until you have the Guide lined up with \*Dado. Pre-insert the screws on the Wall Door Guide Arm by hand. Tighten the pre-inserted screws with a #2 Phillips Screwdriver.

**Note :** If door does not have a Dado slot, align guide with the front of the door.



## STEP 7 Install the Track End Caps



Snap in end caps onto ends of wall mounted track by pushing firmly by hand.

## STEP 8 Position Track End Stops

Position Track End Stops so the door edge is flush with the inside of the opening when door is open and the door closes 2" past the inside of the opening when closed, then tighten.

