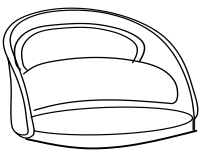
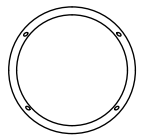



Ax1



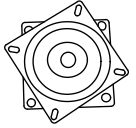
Bx1



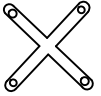
Cx4




Dx1



Ex1




Fx4




M6*35mm

Gx4



M6x16mm

Hx8

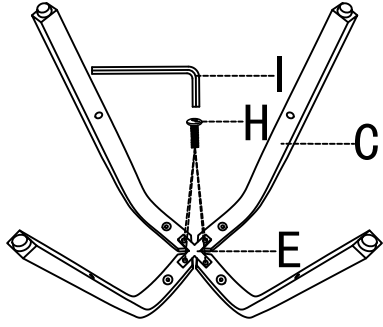


M6*25mm

Ix1

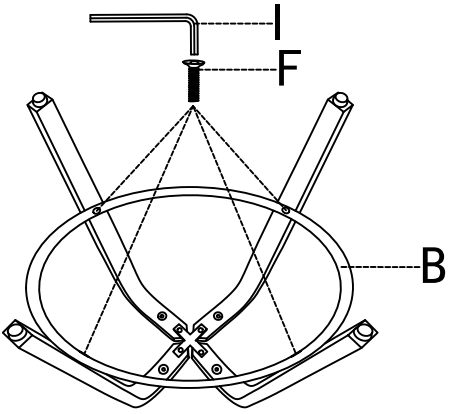


①



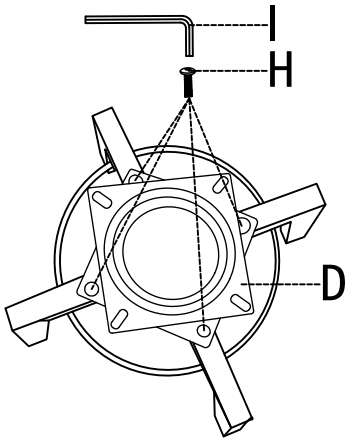
Place (E) on (C) as displayed, then twist screw (H) to connect them. Only twist (H) into halfway in this step.

②



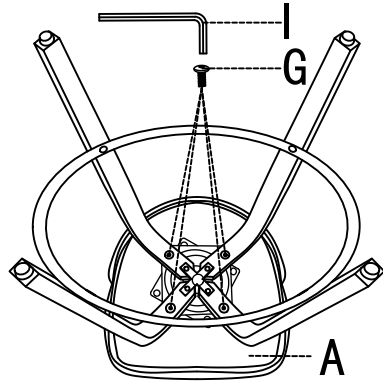
Place (B) on (C) as displayed, then twist screw (F) to connect them. Tighten screws (F) and (H) completely.

③



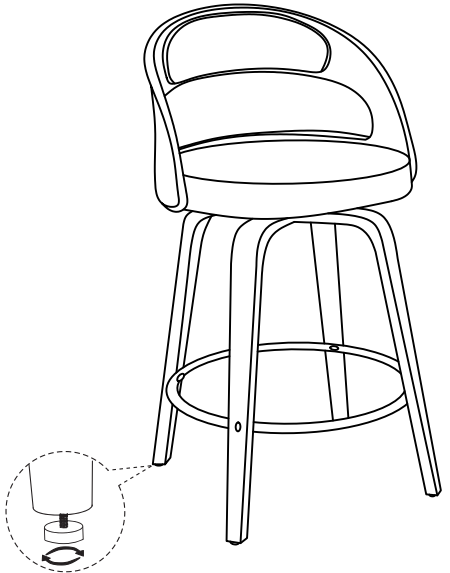
Twist Screw (H) to connect the (D) with (C).

④



Twist Screw (G) to connect the (A) with (D).

⑤



If you feel that the chair is leaning to one side due to an uneven ground, rotate the foot pads to adjust it.