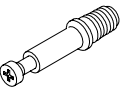
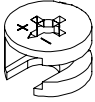
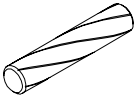
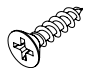


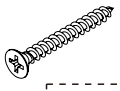
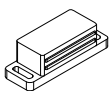
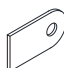



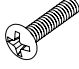

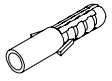


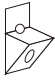
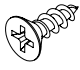


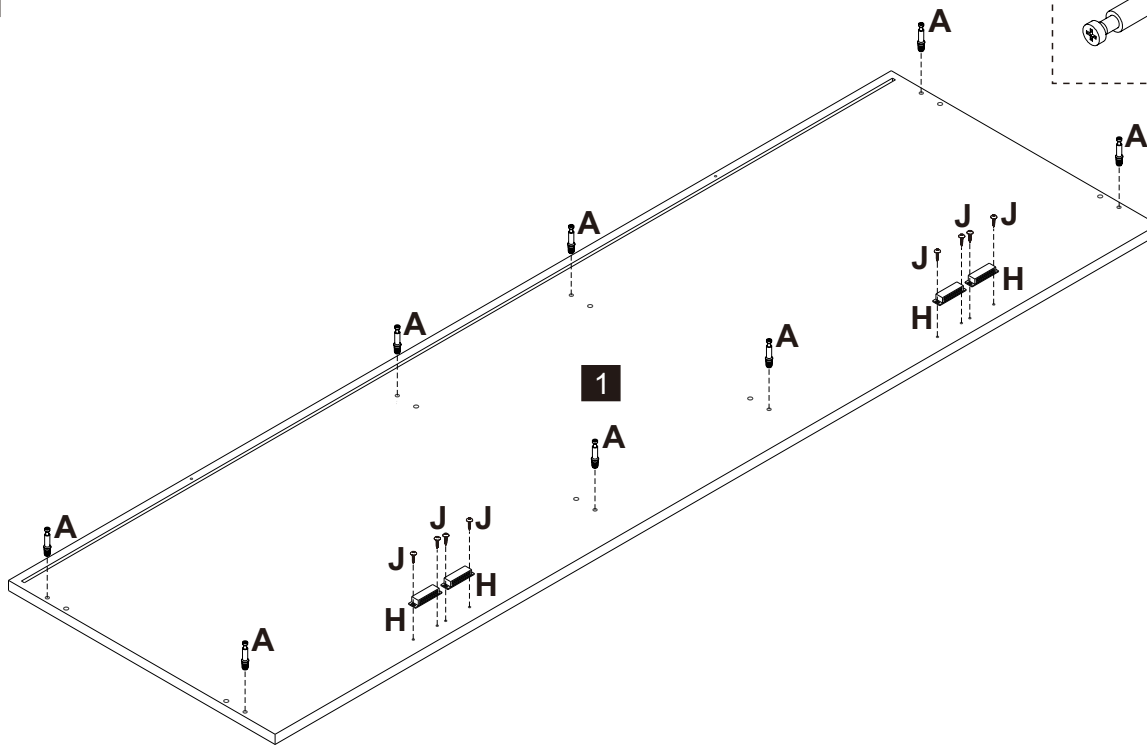
<b>A</b> x 8	<b>B</b> x 8	<b>C</b> x 16	<b>D</b> x 60	<b>E</b> x 4	<b>F</b> x 6	<b>G</b> x 10
			 4x14mm			 4x35mm
<b>H</b> x 4	<b>I</b> x 4	<b>J</b> x 8	<b>K</b> x 4	<b>L</b> x 4	<b>M</b> x 8	<b>N</b> x 2
		 2.5x14mm	 3x12mm		 4x20mm	
<b>O</b> x 2	<b>P</b> x 2	<b>Q</b> x 4	<b>R</b> x 8	<b>S</b> x 8		
	 4x12mm			 3x14mm		

1

A x 8

H x 4

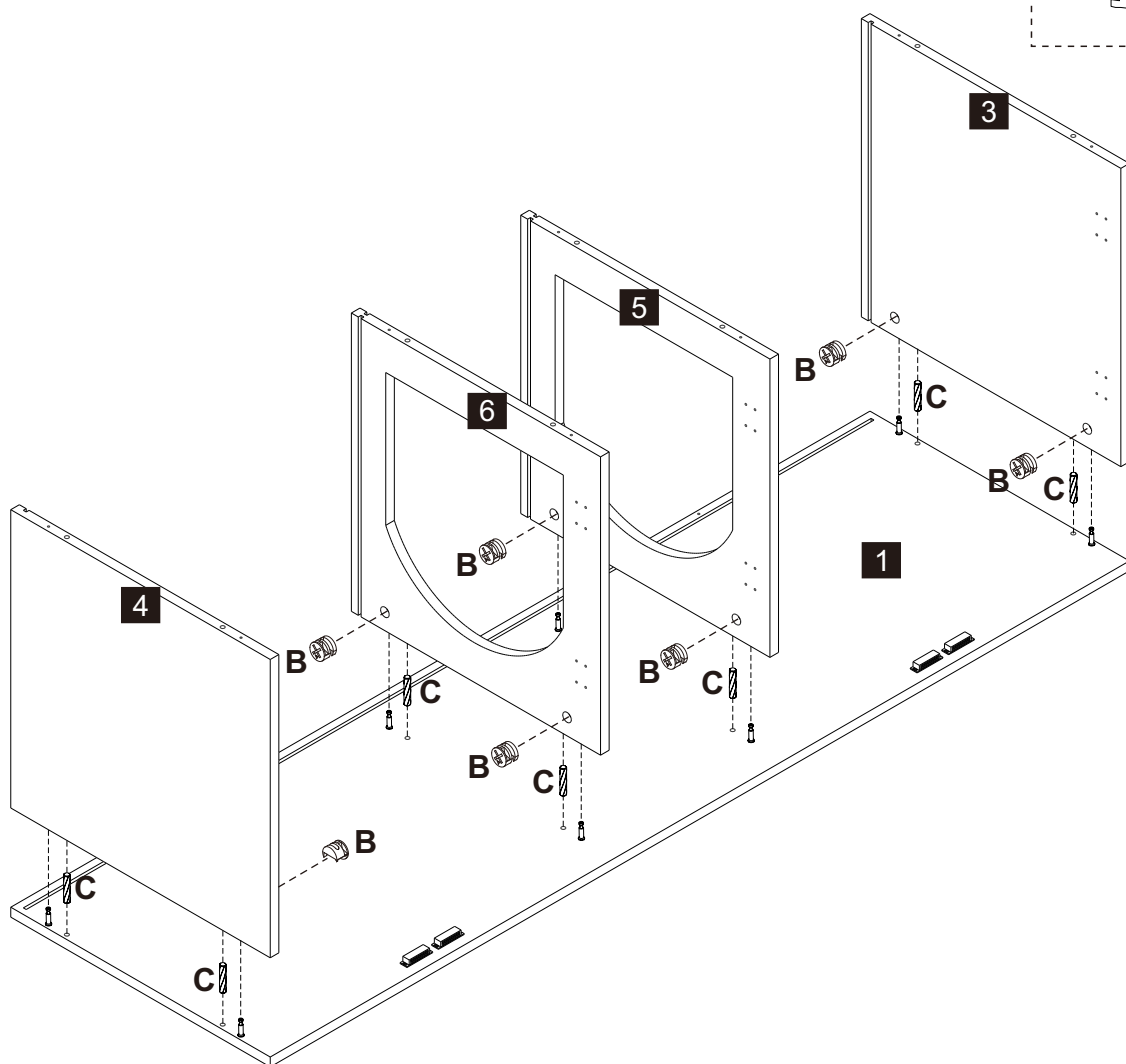
J x 8



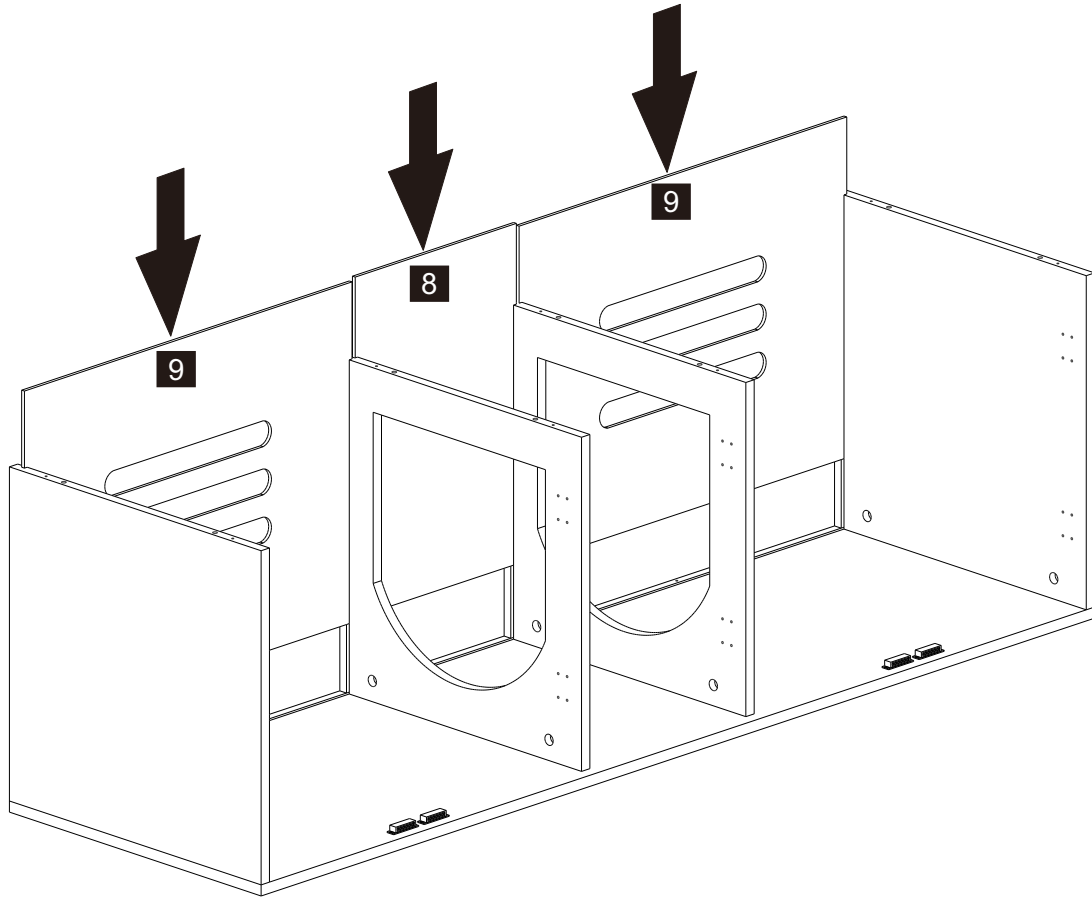
2

B x 8

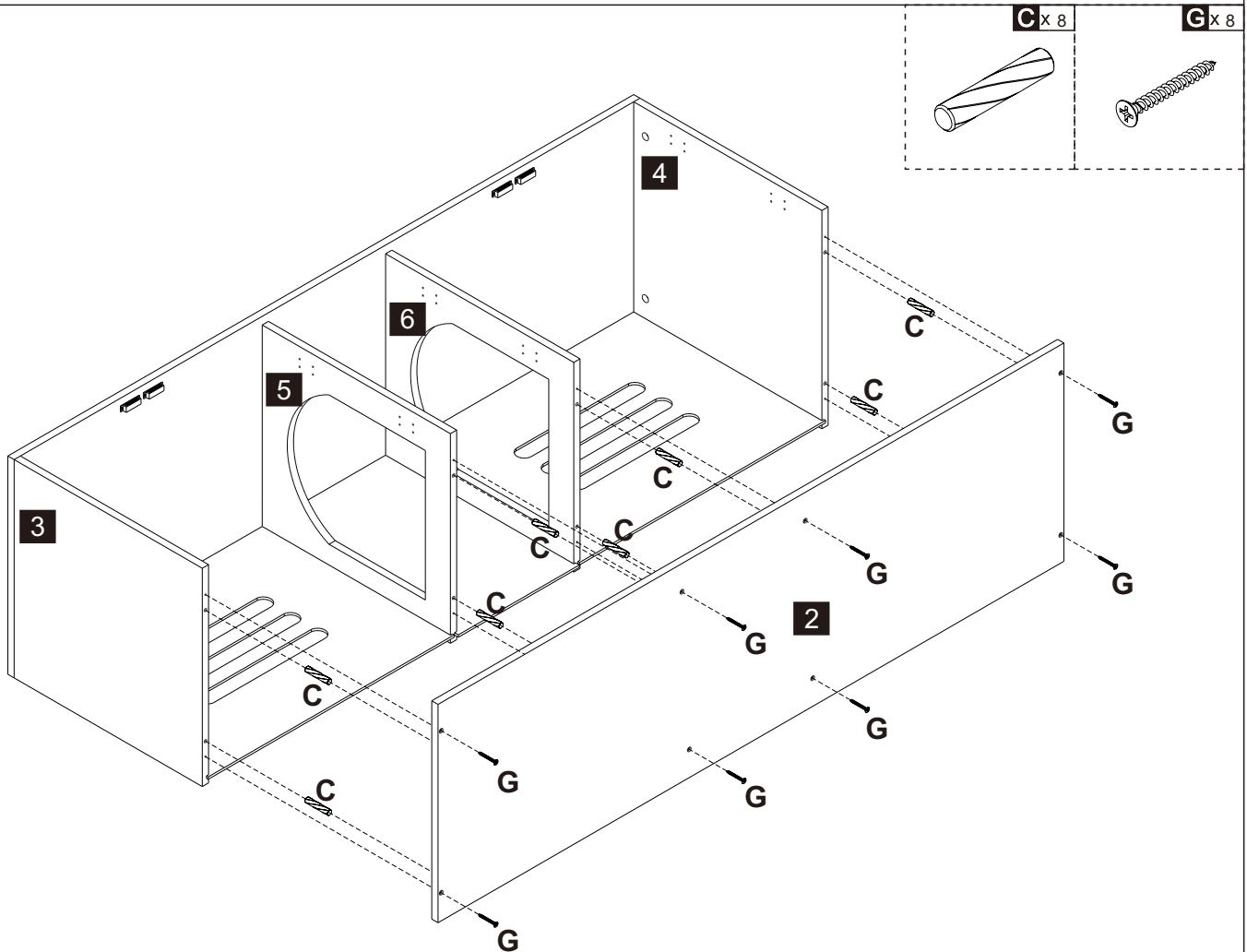
C x 8



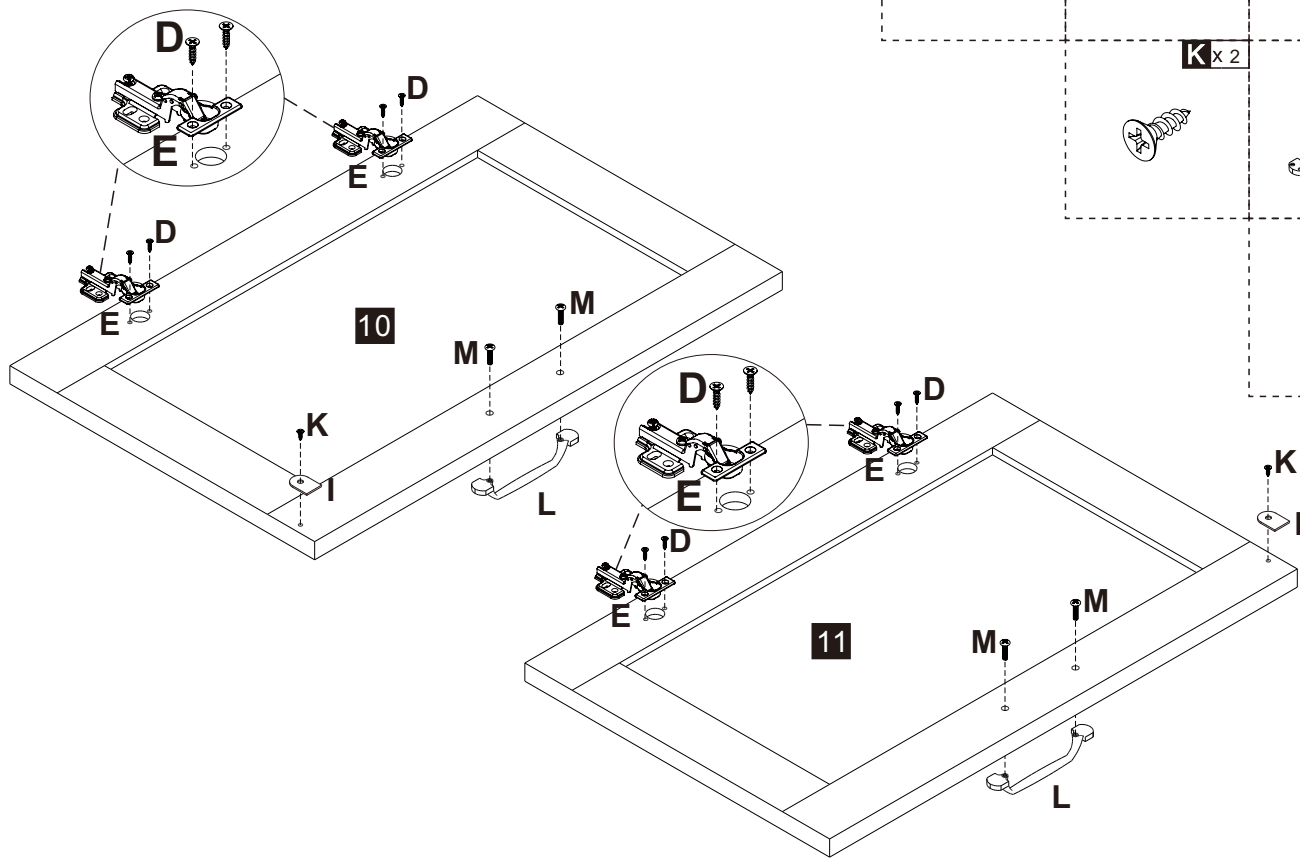
3



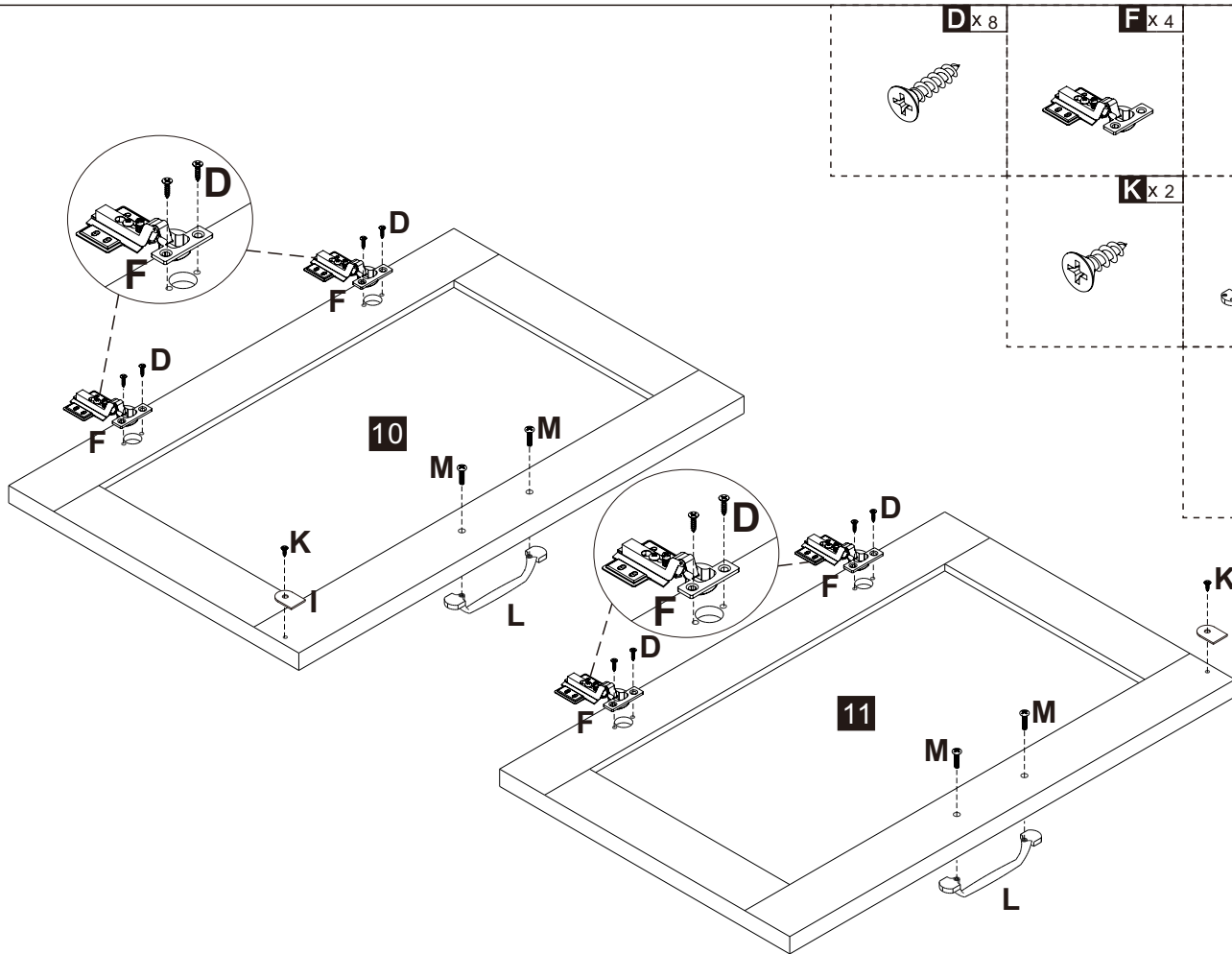
4



5



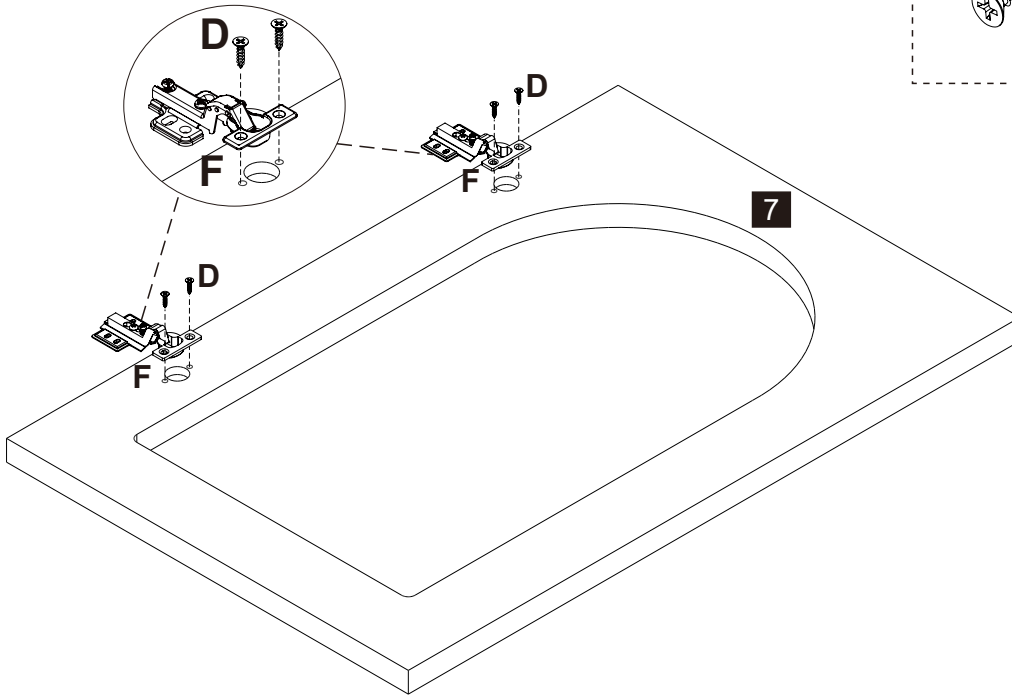
6



7

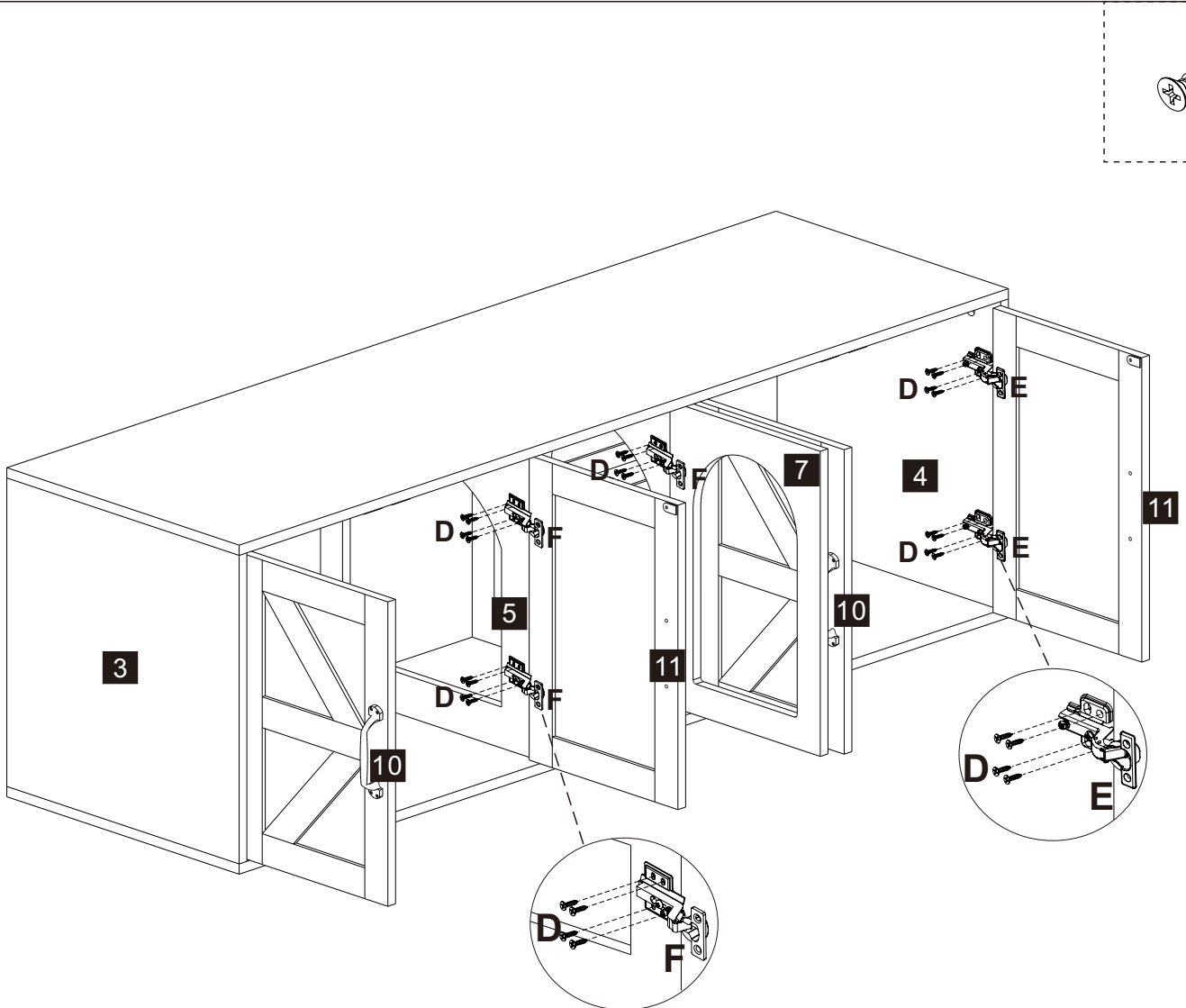
D x 4

F x 2

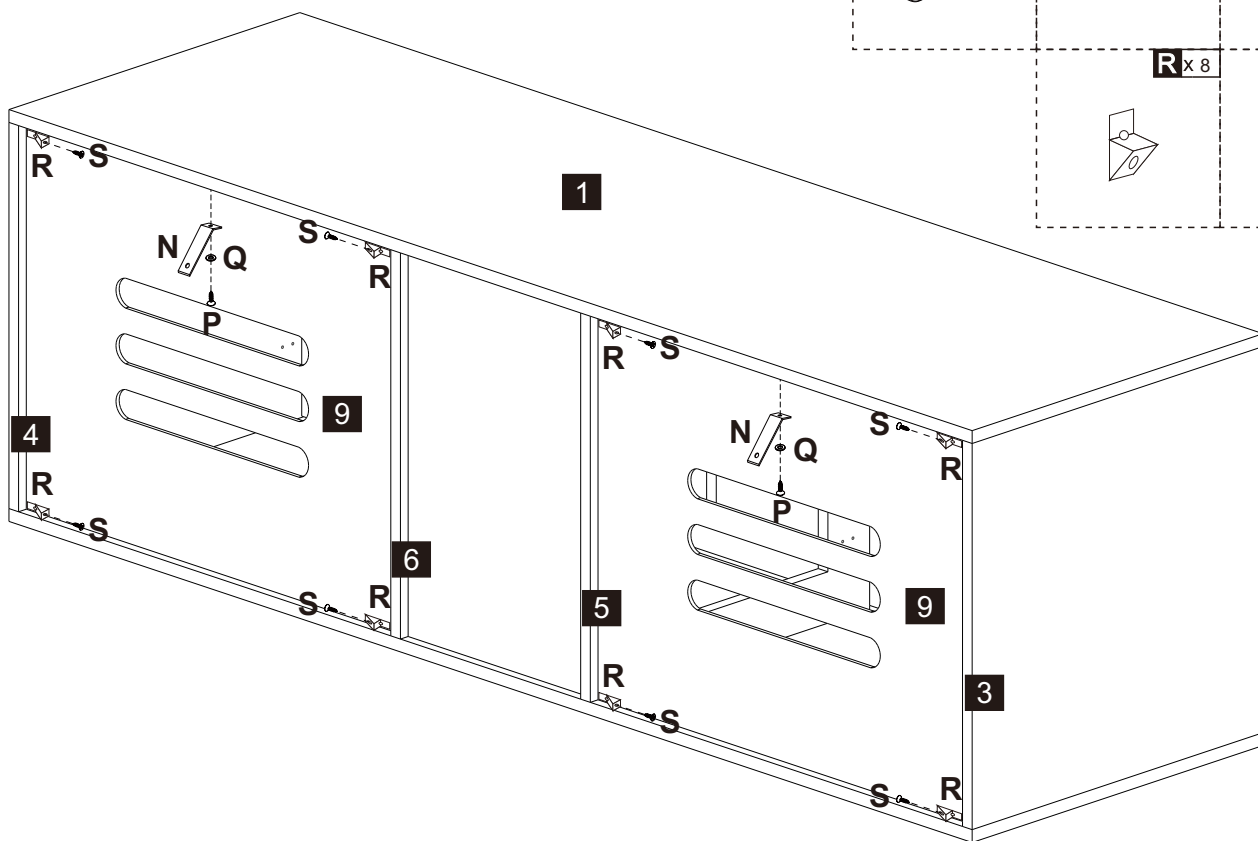


8

D x 40



9



**N**x2

**P**x2

**Q**x2

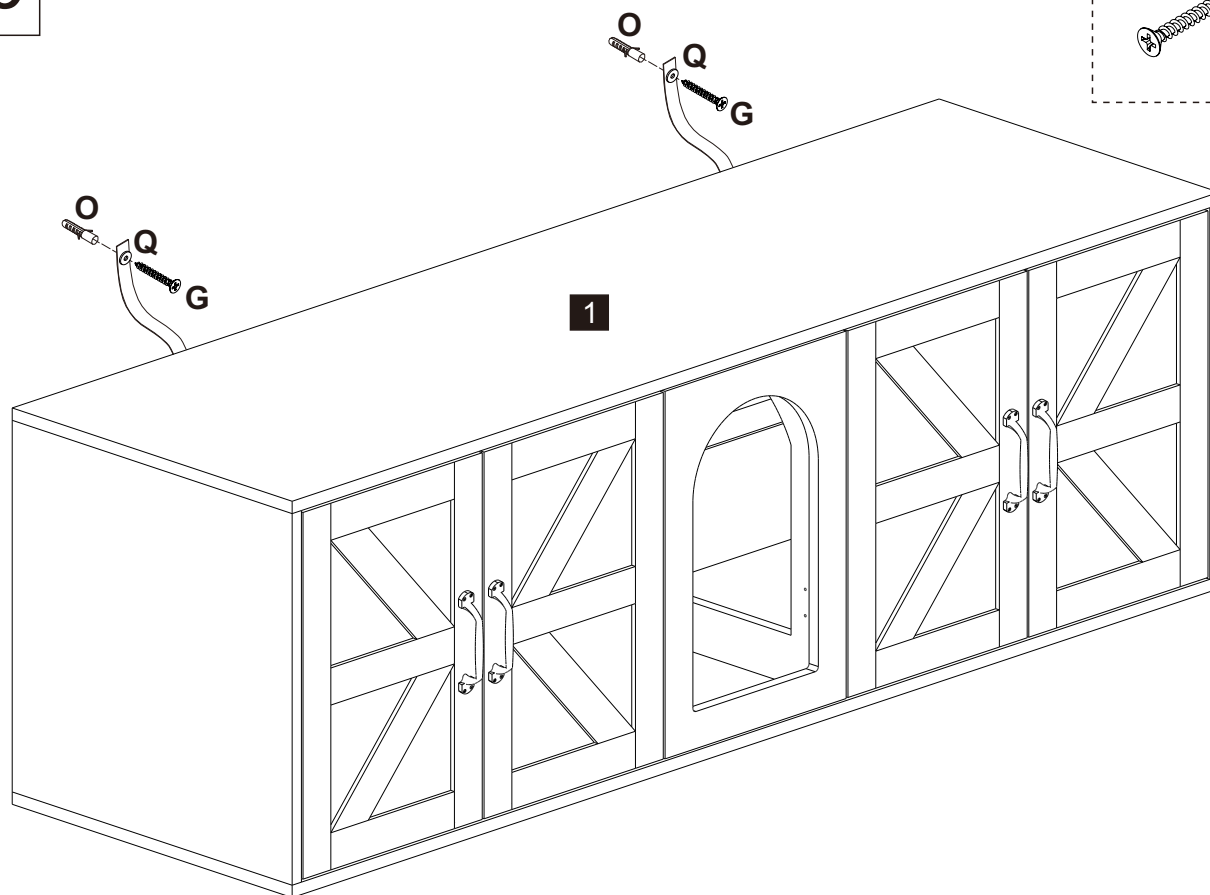


**R**x8

**S**x8

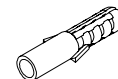
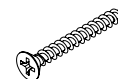


10



**G**x2

**O**x2



**Q**x2

