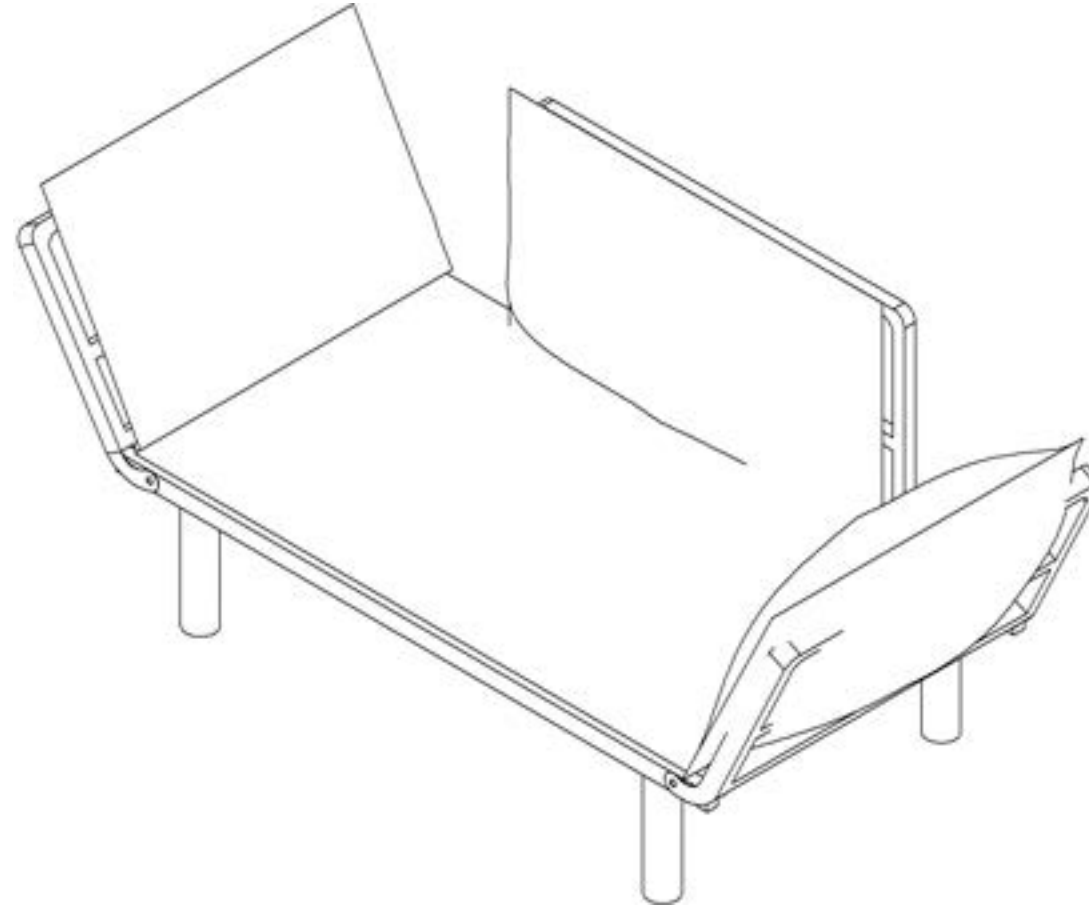




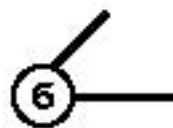
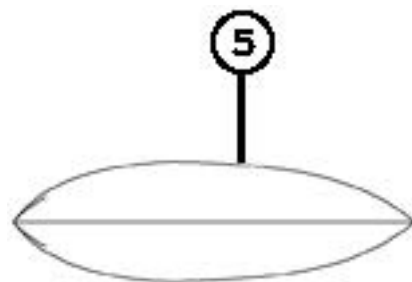
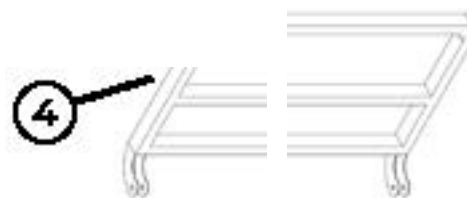
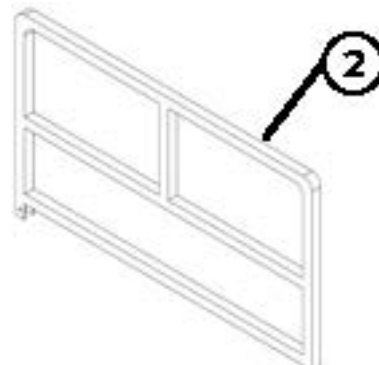
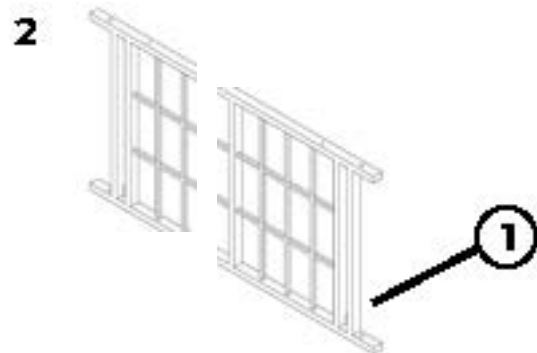
DIANA ÇALIŞMA MASASI
DIANA STUDY DESK



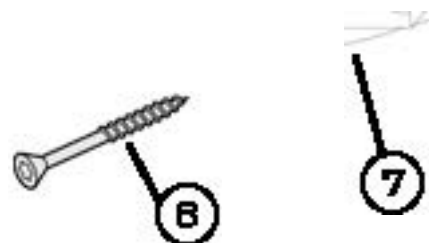
ANDRE KÖŞE KOLTUK
ANDRE SECTIONAL



MONTAJ TALİMATI
ASSEMBLY INSTRUCTIONS



NO	DESCRIPTION	AMOUNT
1	FRAME / CHAIR	1
2	SEPARATE BACK PANEL	2
3	SLAT / LEG	2
4	FRONT PANEL / BACK CUSHION	2
5	SEAT CUSHION / SEAT COVER	2
6	SCREW / SCREWS	6

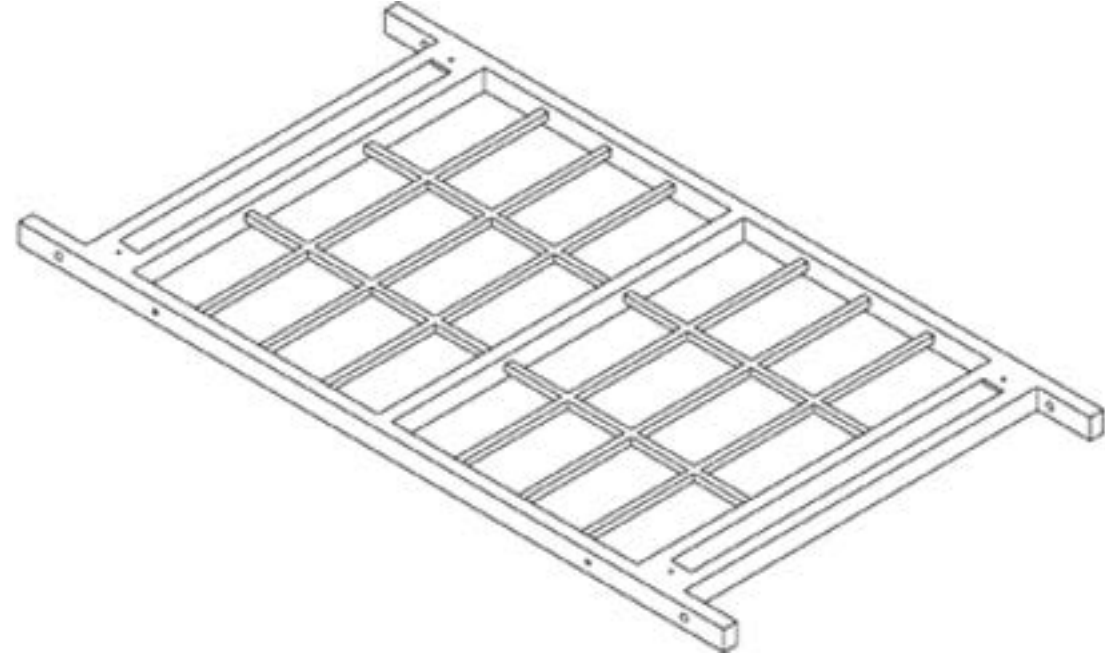


**YOU HAVE COMPLETED
THE ASSEMBLY OF THE
PRODUCT**

**WE ARE AWAITING
YOUR POSITIVE
FEEDBACK FOR OUR
PRODUCT**

**ÜRÜNÜMÜZÜN KURULUMU
TAMAMLADINIZ KURULUM
AŞAMASINI VE ÜRÜNÜMÜZÜ
DEĞERLENDİRMEYİ
UNUTMAYINIZ.**

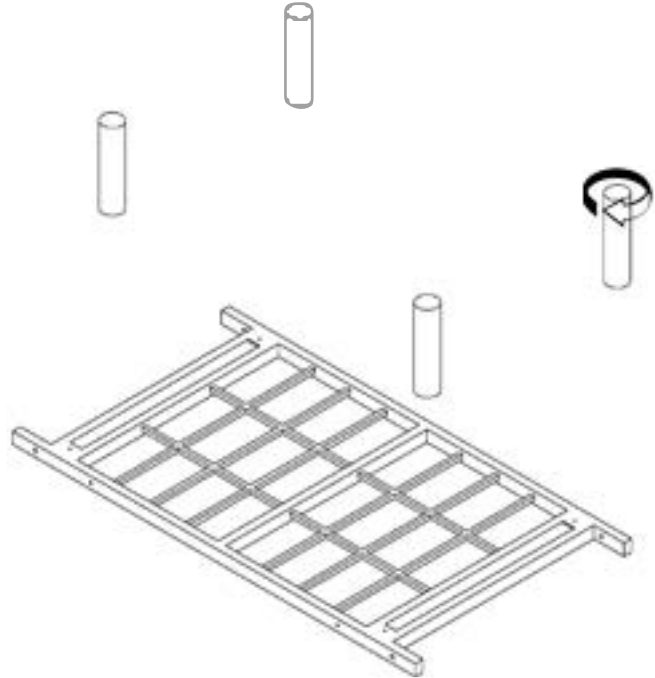
**DEĞERLİ YORUMLARINIZI
BEKLİYORUZ**



**OTURUM DEMİRİNİ TERS
BİR ŞEKİLDE YERLEŞTİRİNİZ**

PLACE THE SEATING METAL PART UPSIDE DOWN

4



AYAKLARI YUVALARA HİZALAYINIZ

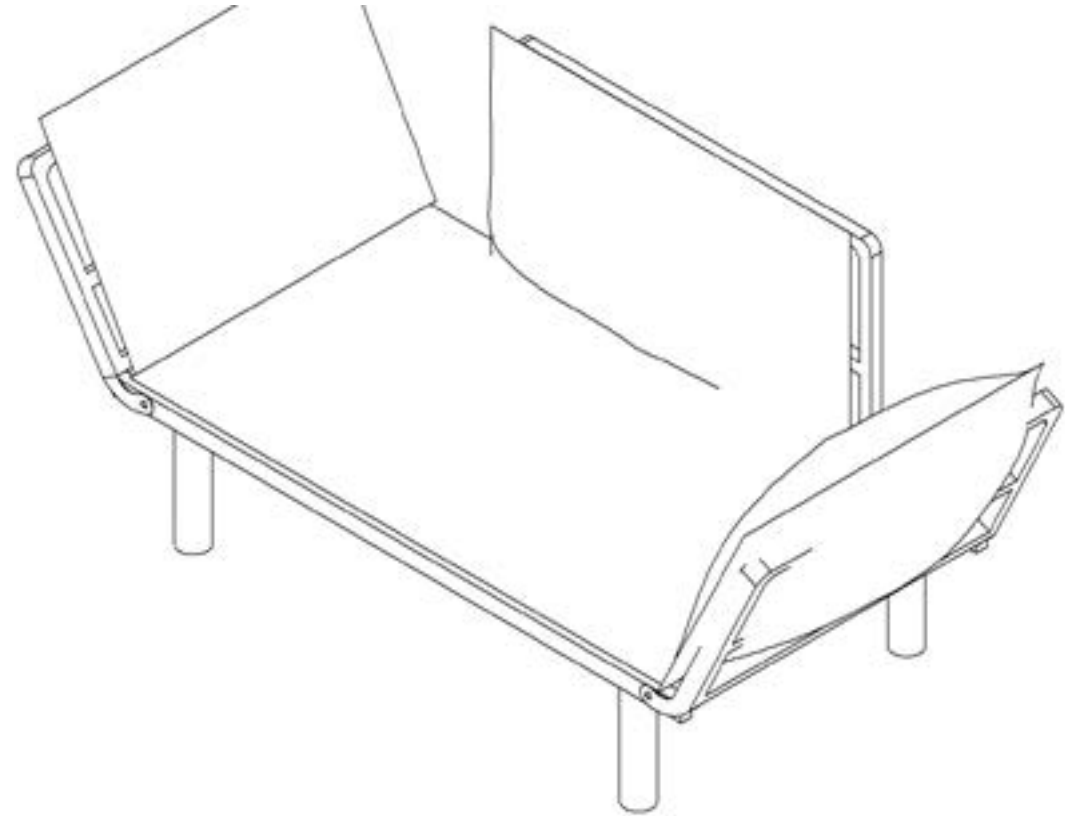
ALIGN THE LEGS TO THE HOLES



AYAKLARI YUVALAR DÖNDEREREK MONTAJLAYINIZ

ATTACH THEM BY SIMPLY TURNING.

9



SON GÖRÜNÜM BU ŞEKİLDE OLACAKTIR

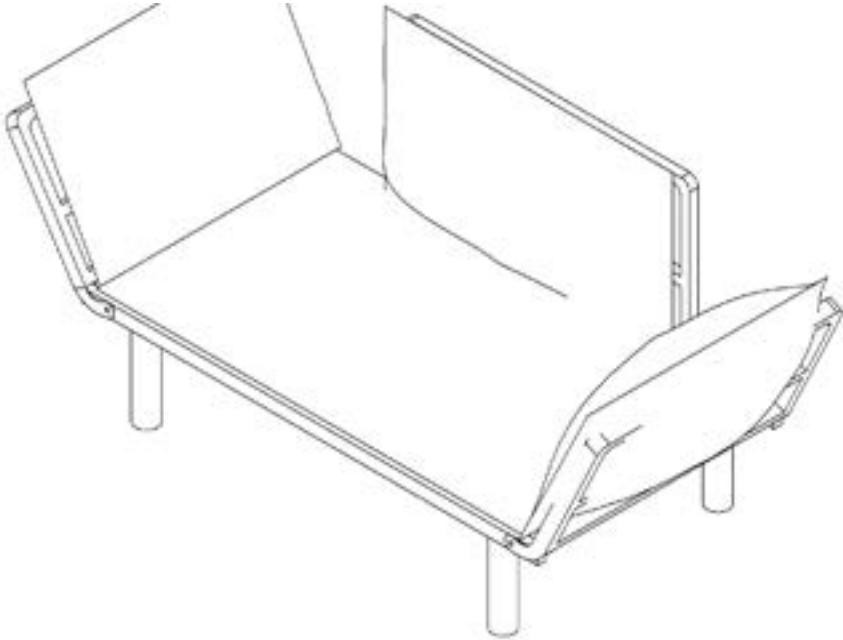
**THE PRODUCT WILL LOOK LIKE THIS AFTER
THE ASSEMBLY IS COMPLETED**

6

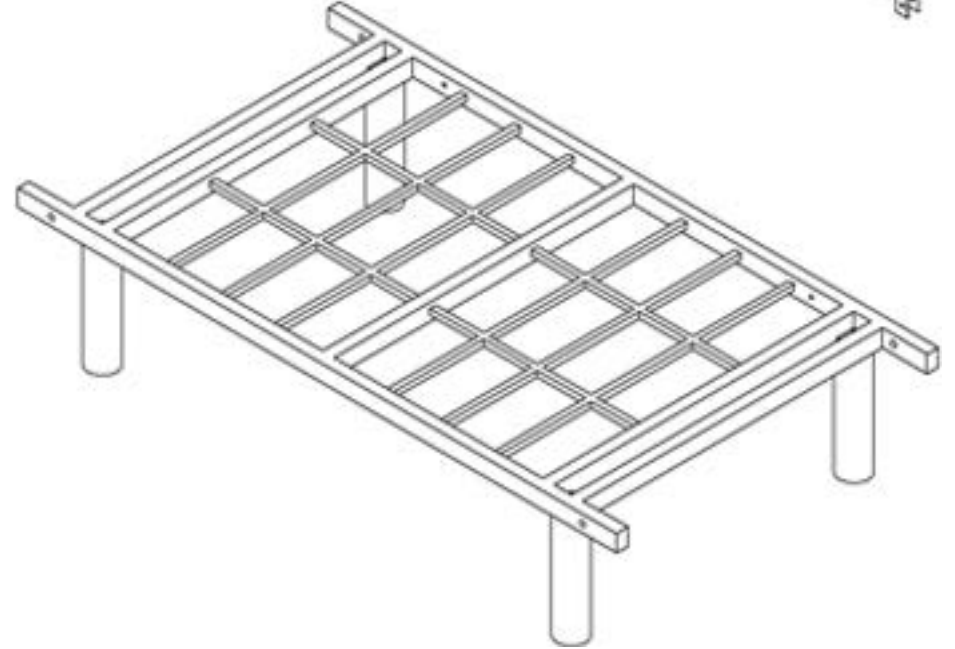
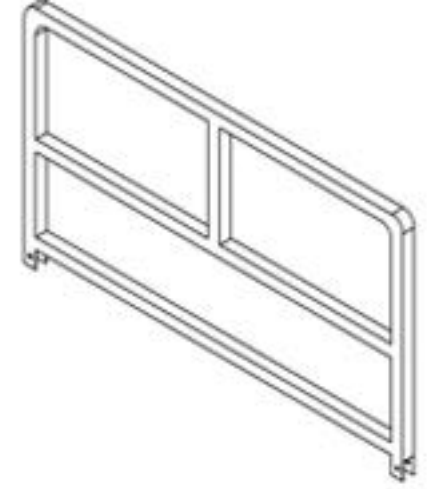


OTURUM MİNDERLİNİ VE SIRTINI YERLEŞTİRİNİZ

PLACE THE SEAT AND BACK CUSHION ON THE METAL AS THE PICTURE SHOWS.



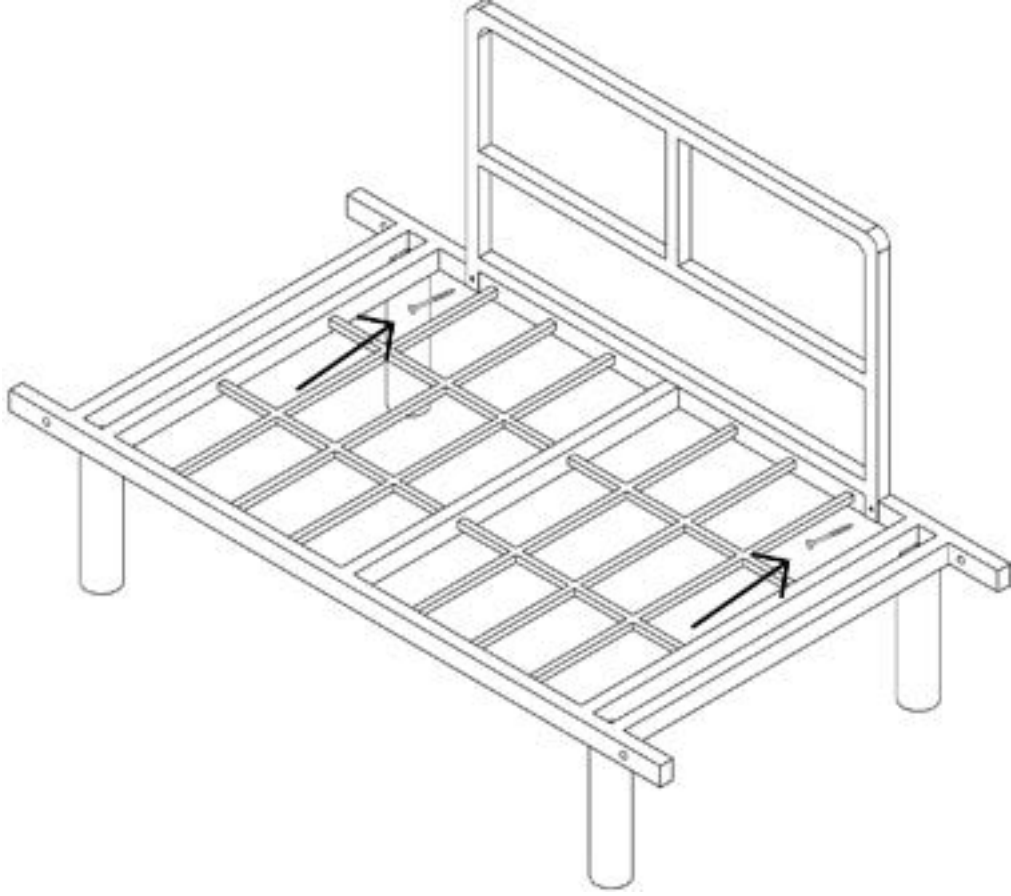
5



SIRT DEMİRİNİ HİZALAYINIZ

ALIGN THE HOLES OF THE BACK METAL TO THE HOLES OF THE SEATING PART METAL

6



SIRT DEMİRİNİ VIDALAYINIZ

USE THE SCREWS TO ATTACH THE BACK METAL AS THE PICTURE SHOWS.

7



KOL DEMİRLERİNİ HİZALAYINIZ

ALIGN THE ARM REST TO THE SEATING PART METAL



KOL DEMİRLERİNİN VIDALARINI YERLEŞTİRİNİZ

ATTACH THE ARM RESTS TO THE METAL SEATING PART USING THE SCREWS AS DEPICTED ABOVE