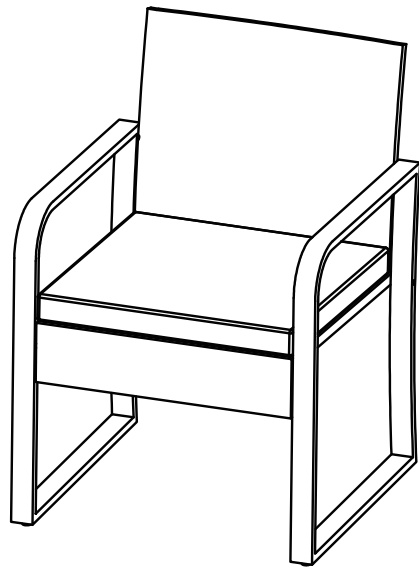
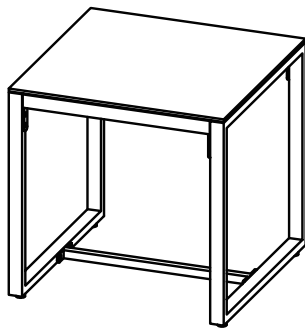
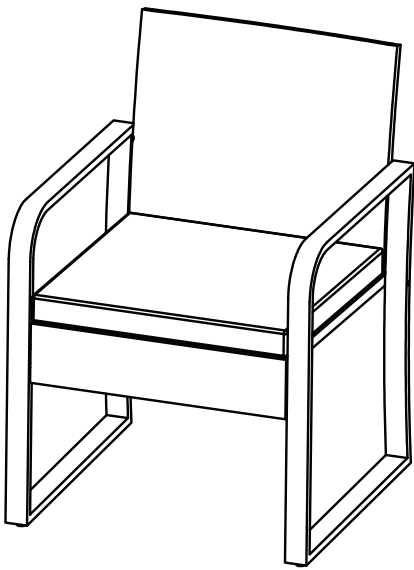
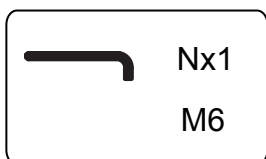
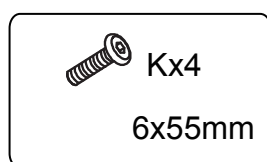
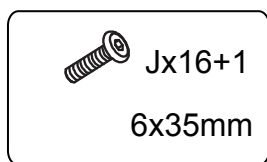
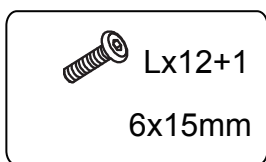
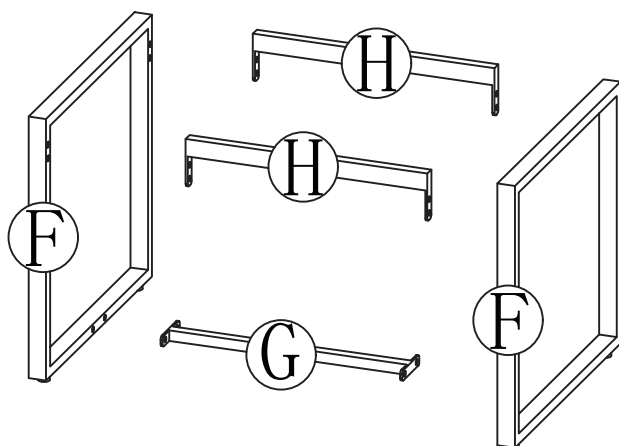
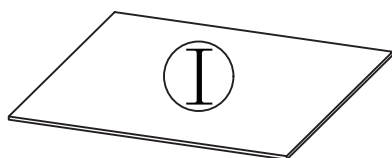
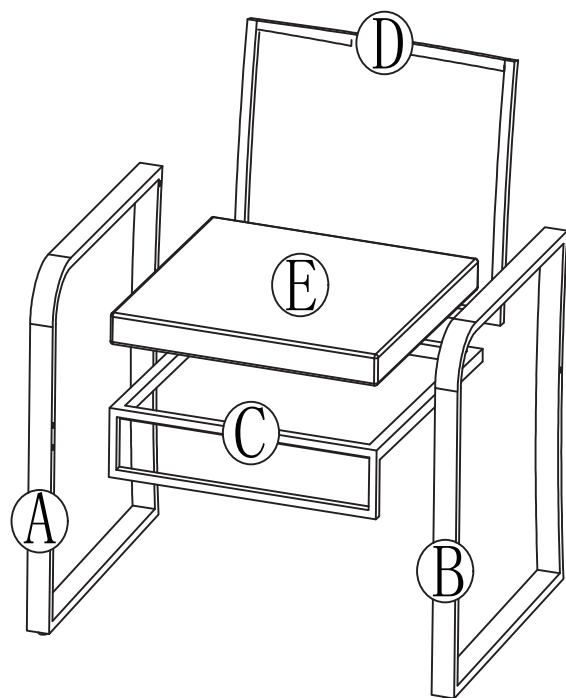



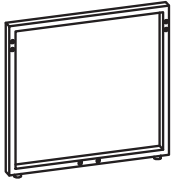


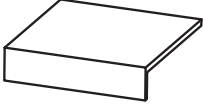

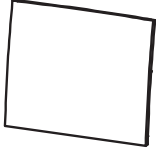


45 Mins

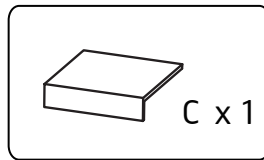
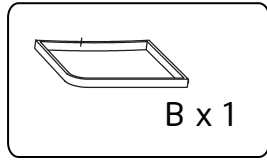
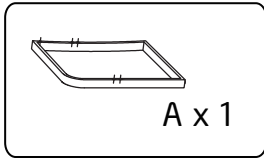


x2

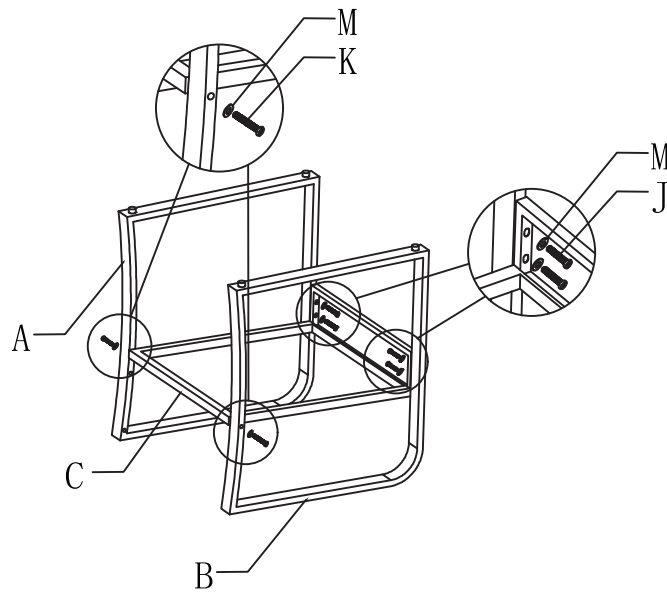
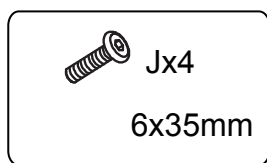
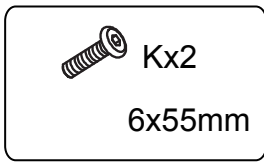




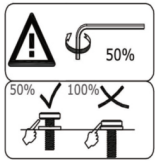
A		2	F		2
B		2	G		1
C		2	H		2
D		2	I		1
E		2			



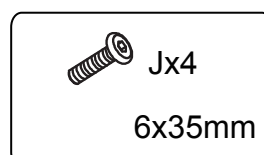
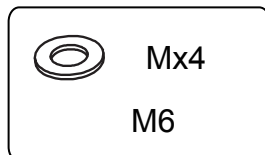
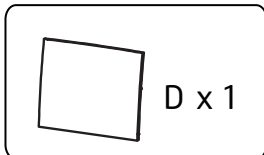
1



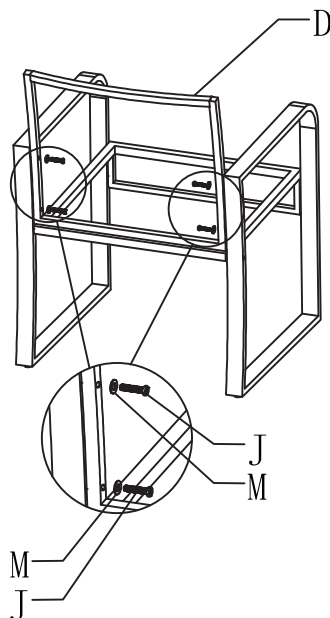
X 2



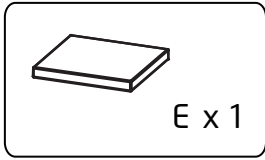
Please screw the parts together at 50% loose, it will help you assemble the sets easily.



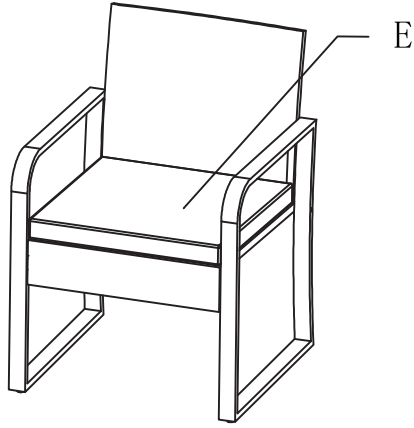
2



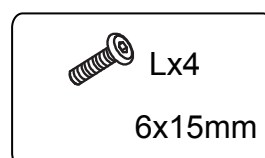
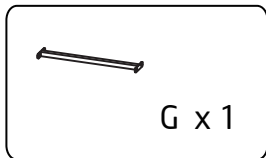
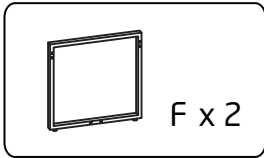
X 2



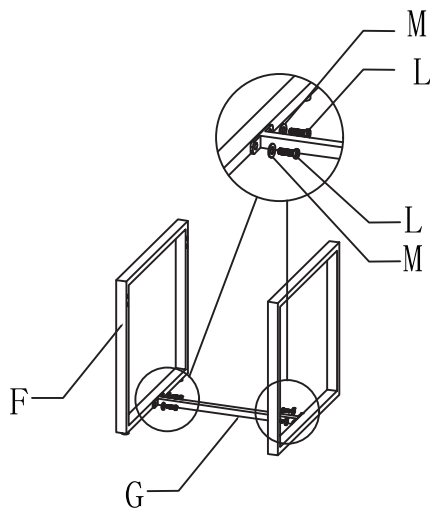
3

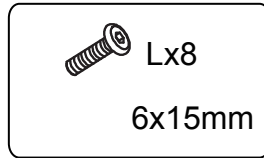
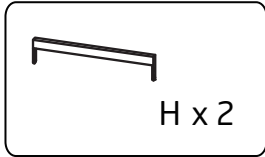


X 2

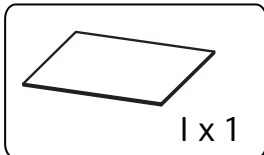
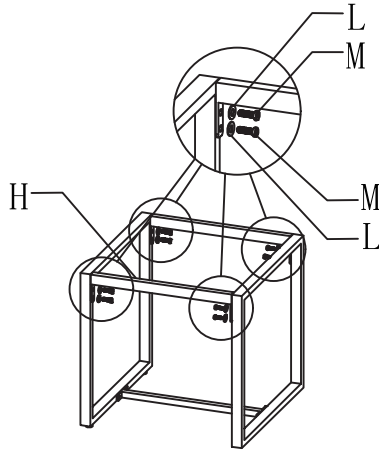


4

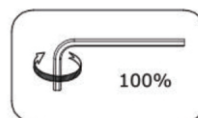
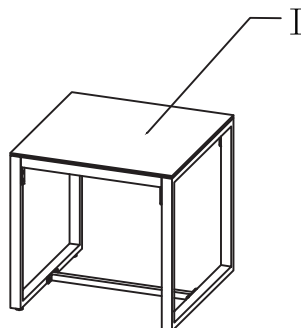




5



6



Put on the glass and finish the assemble, tight the all screws up 100% at end to make product stable.

