

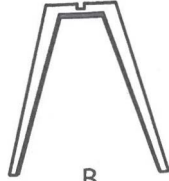
Counter Stool

Assembly Instructions
Instrucciones De Asamblea
Instructions d'Assemblee

PARTS



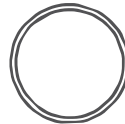
A



B



C



D



x4
M6X40mm
E

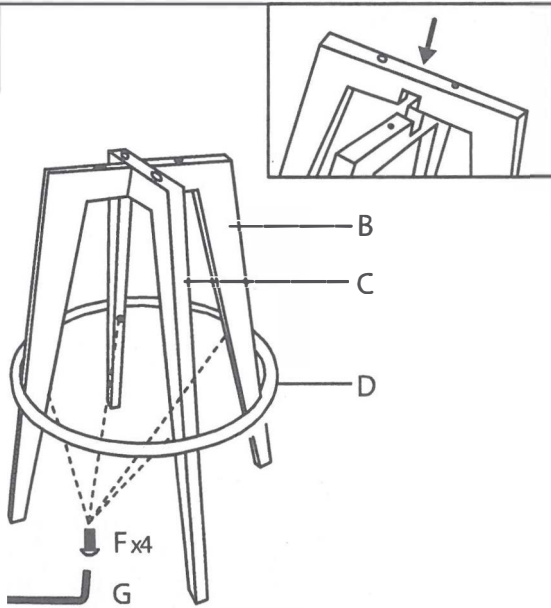


x4
M6x45mm
F

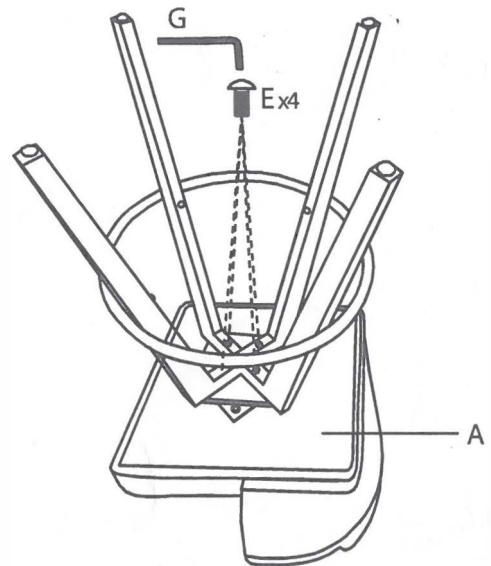


G

1



2



3



Do not over tighten.
Do not use power tools to assemble.