



SPECIALTY FAUCET

- *Light Commercial Collection*
- *Featuring heavier gauge and easy to clean design*
- *Single-Handle Deck Mount Lavatory Faucet*
- *1-Hole Installation (UF84400)*

STANDARD SPECIFICATIONS

- Ceramic disc cartridge with adjustable temperature limit stop
- Less pop-up assembly
- Copper tube inlet with 1/2" male NPSM connection
- NEOPERL® aerator 1.5gpm max @ 60psi

FINISHES INCLUDE

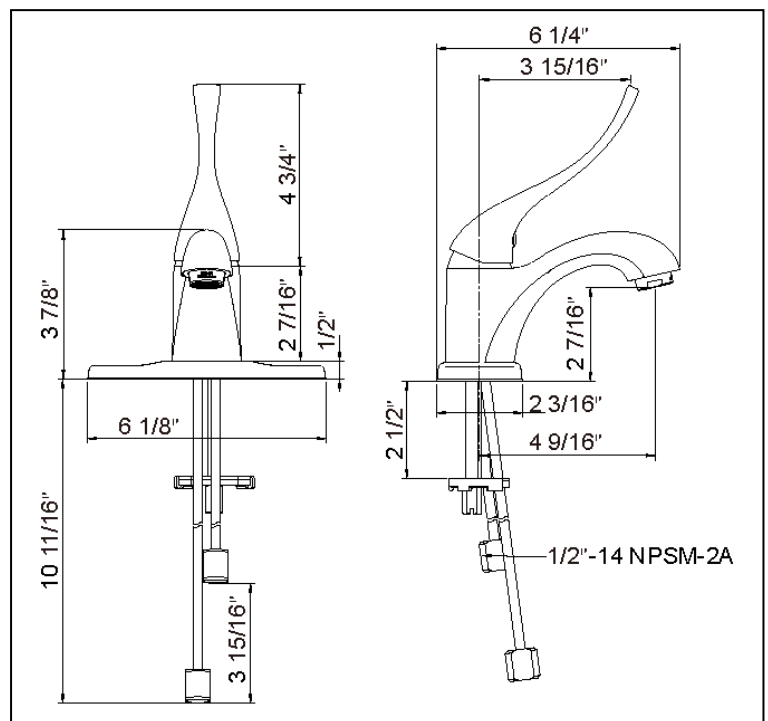
- Chrome (UF84400)

WARRANTY

- Limited lifetime warranty on workmanship and materials to the original purchaser

COMPLIES WITH

- NSF 61-9
- ASME A112.18.1
- CSA B125.1
- cUPC
- AB1953
- WaterSense
- CALGreen



tel. 888-OK-ULTRA (658-5872) • fax. 949-252-9989 • <http://www.ultrafaucets.com>

This specification is provided for reference only. Ultra Faucets reserves the right to modify specifications and materials without notice or obligation.