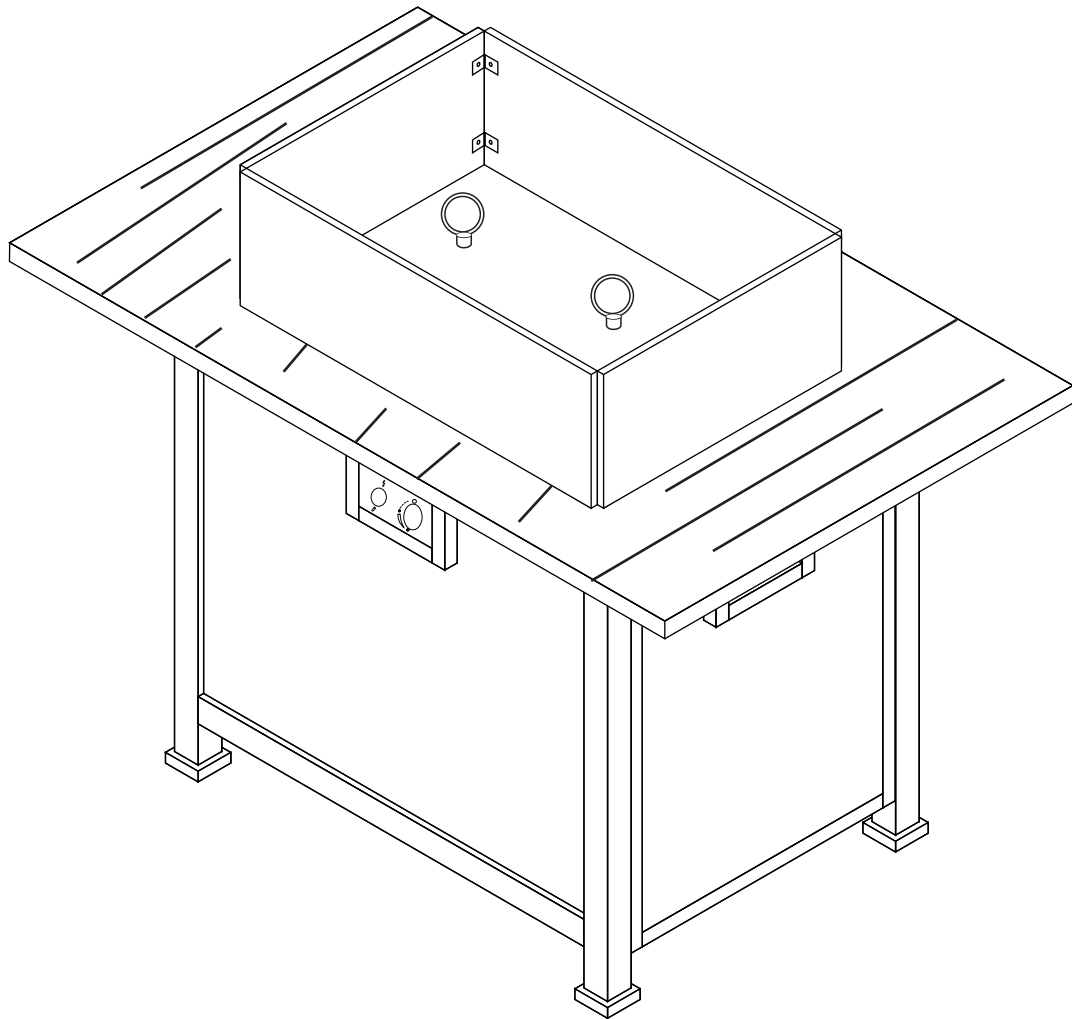


44-Inch Outdoor Fire Table Instruction

If you have any questions about the outdoor fire table, Please feel free to contact us.



WARNING BEFORE ASSEMBLY

-Retain this manual for future reference

WARNING:

Improper installation, adjustment, alteration, service or maintenance can cause injury or property damage. Read the installation, operating and maintenance instructions thoroughly before installing or servicing this equipment.

DANGER



CARBON MONOXIDE HAZARD

This appliance can produce carbon monoxide which has no odour.

Using it in an enclosed space can kill you.

Never use this appliance in an enclosed space such as a camper, tent, car or home.

WARNING:

Do not store or use gasoline, or other flammable vapors and liquids, in the vicinity of this or any other appliance.

An LP-cylinder not connected for use shall not be stored in the vicinity of this or any other appliance.

DANGER:

FIRE OR EXPLOSION HAZARD

If you smell gas:

- Shut off gas to the appliance.
- Extinguish any open flame.
- If odor continues, leave the area immediately.
- After leaving the area, call you gas supplier or fire department.

Failure to follow these instructions could result in fire or explosion, which could cause property damage, personal injury, or death.

If this appliance is not in use, the gas must be turned off at the supply cylinder. Indoor storage of this appliance is permissible only if the cylinder is disconnected and removed from the appliance.

The gas pressure regulator provided with this appliance must be used, and must be the same model as supplied with the unit.

The cylinder supply system must be arranged for vapor withdrawal.

Cylinders used with this unit must have a collar to protect the cylinder valve.

An approved LP-Cylinder stabilizer, such as the stabilizer ring included, must be used when the appliance is in use.

WARNING BEFORE ASSEMBLY



WARNING! HOT SURFACE!



GLASS, FRAGILE!



HANDLE WITH CARE



HEAVY OBJECT.
TWO PERSON LIFT REQUIRED.



Max. Input: 50,000 BTU/h

Max. Gas Supply Pressure: 250 PSI

Min. Gas Supply Pressure: 25 PSI

LP CYLINDER:

All LP cylinders to be used with this appliance must be:

- Constructed and marked in accordance with the specifications for LP-gas cylinders Standard, CAN/CSA B339, Cylinders, Spheres and Tubes for the Transportation of Dangerous Goods.
- Provided with a listed overfilling prevention device.
- Provided with a cylinder connection device compatible with the connection for outdoor cooking appliances.
- Only a 20 lb (9 kg) LP gas cylinder is to be used for this appliance, approximately 18" (46 cm) high & 12" (30 cm) diameter.

CONNECTION:

- Be sure the cylinder valve and appliance valves are "off".
- Place full LP gas cylinder on tank stabilizer ring. Secure the base of the LP gas cylinder by hand tightening the wing-nut collar.
- Center the nipple in the cylinder valve and hold in place.
- Using the other hand, turn the hand wheel clockwise until there is a positive stop. Do not use tools.
- Hand tighten only. When making the connection, hold the regulator in a straight line with the cylinder valve, so as not to cross thread the connection.
- Leak test the connection.

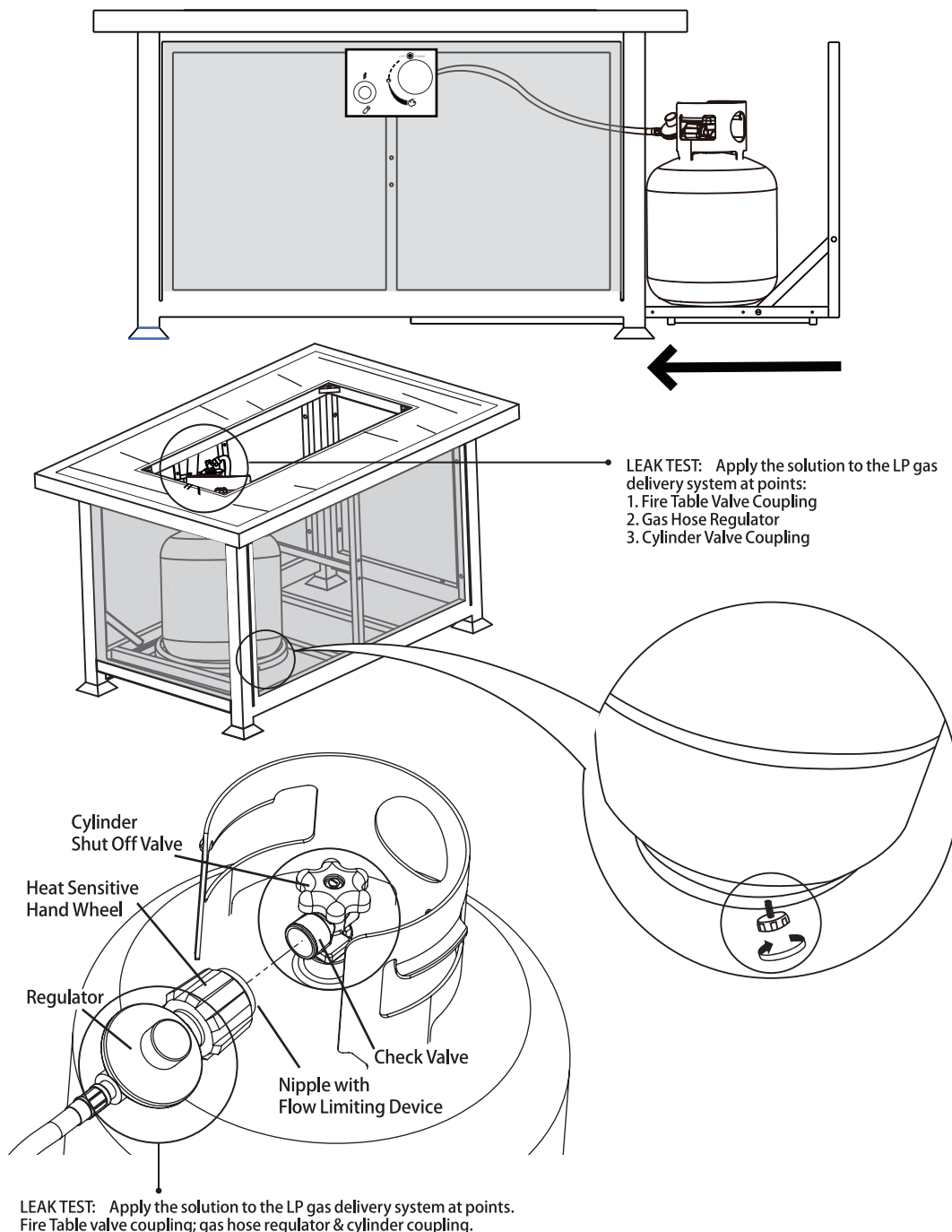
DISCONNECTION:

- Be sure the cylinder valve and appliance valves are "off" before disconnection.
- Using one hand, turn the hand wheel anticlockwise.

LEAK TEST

LEAK TEST:

1. DO NOT USE OR PERMIT SOURCES OF IGNITION IN THE AREA WHILE DOING THE LEAK TEST. THIS INCLUDES SMOKING.
2. Leak testing should be done once per year or whenever the LP gas cylinder or any other gas system part is taken apart, serviced or replaced, whichever is more frequent.
3. Ensure all gas system coupling joints are tight and properly attached.
4. Prepare a leak testing solution of half liquid detergent and half water.
5. Apply the solution to the LP gas delivery system at points as shown in illustration indicated on page 5.
6. The leak(s) must be stopped by tightening the loose joints, if possible, or by replacing the faulty part(s) with the part(s) recommended by the appliance manufacturer.



WARNING BEFORE ASSEMBLY

NOTE TO USER:

Before igniting the unit for the first time, follow steps one through 5 in the below Ignition section.

IGNITION

STEP 1

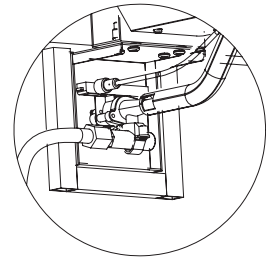
Ensure that unit valve dial is in the “OFF” position by pushing and turning clockwise until the dial stops.

STEP 2

Connect the LP gas cylinder. See section labeled “Connection” .

STEP 3

Ensure the gas hose is not contacting the top of the Fire Table enclosure and the tank is stabilized in the collar with the wing nut.



Caution: Always ensure the gas valve orifice and burner tube venturi is clear of all debris including spider webs.

STEP 4

SLOWLY turn cylinder valve to the open position to avoid tripping the excess flow safety device in the gas regulator.

STEP 5

Leak Test all connections. See section labeled “Leak Test” .

STEP 6

Your Fire Table is equipped with an auto spark ignition (piezo ignition). Push the knob in and slowly turn counter-clockwise to the high position. The ignitor will spark and ignite the gas.

Should the appliance fail to ignite on the first try, promptly repeat the ignition attempt within 5 seconds. If a third attempt fails to ignite the Fire Table then rotate the knob to the “off” position and wait 5 minutes before attempting to ignite again.

WARNING BEFORE ASSEMBLY

THE APPLIANCE IS NOT TO BE USED UNTIL ANY LEAK IS CORRECTED.

A gas appliance repairman or LP gas dealer should be called if attempts to stop the leak(s) are unsuccessful and, in such case, the LP gas supply must be shut off at the cylinder valve or the cylinder must be removed from the appliance until the leak(s) is corrected.

Inspect hose prior to each use of the unit. To gain access for inspection remove the side panels. To remove each side panel, simply use pull rings and lift panel away. Refer to assembly instructions for visual diagrams. The hose assembly must be replaced prior to the appliance being put into operation if there is evidence of excessive abrasion or wear, or if the hose is damaged. Contact our customer service

should you require a replacement hose. Replacement hose assembly shall be the one that is specified by manufacturer.

Inspect burner prior to each use. Burner must be replaced prior to the appliance being put into operation if there is evidence of damage. Contact our customer service

should you require a replacement burner.

Should any part of this appliance (including the burner) become soiled or dirty, wipe lightly with a damp cloth. Do not use flammable or corrosive cleaning products on or near this unit.

The installation must conform with local codes, or in the absence of local codes with the National Fuel Gas Code, ANSI Z223.1-NFPA 54; National Fuel Gas Code; Natural Gas and Propane Installation Code, CSA B149.1; or Propane Storage and Handling Code, CSA B149.2, as applicable.

NOTICE

Please retain these instructions for future reference.

Dear Customer

Thank you for your purchase.

When you receive the product, please make sure that all the parts are intact.

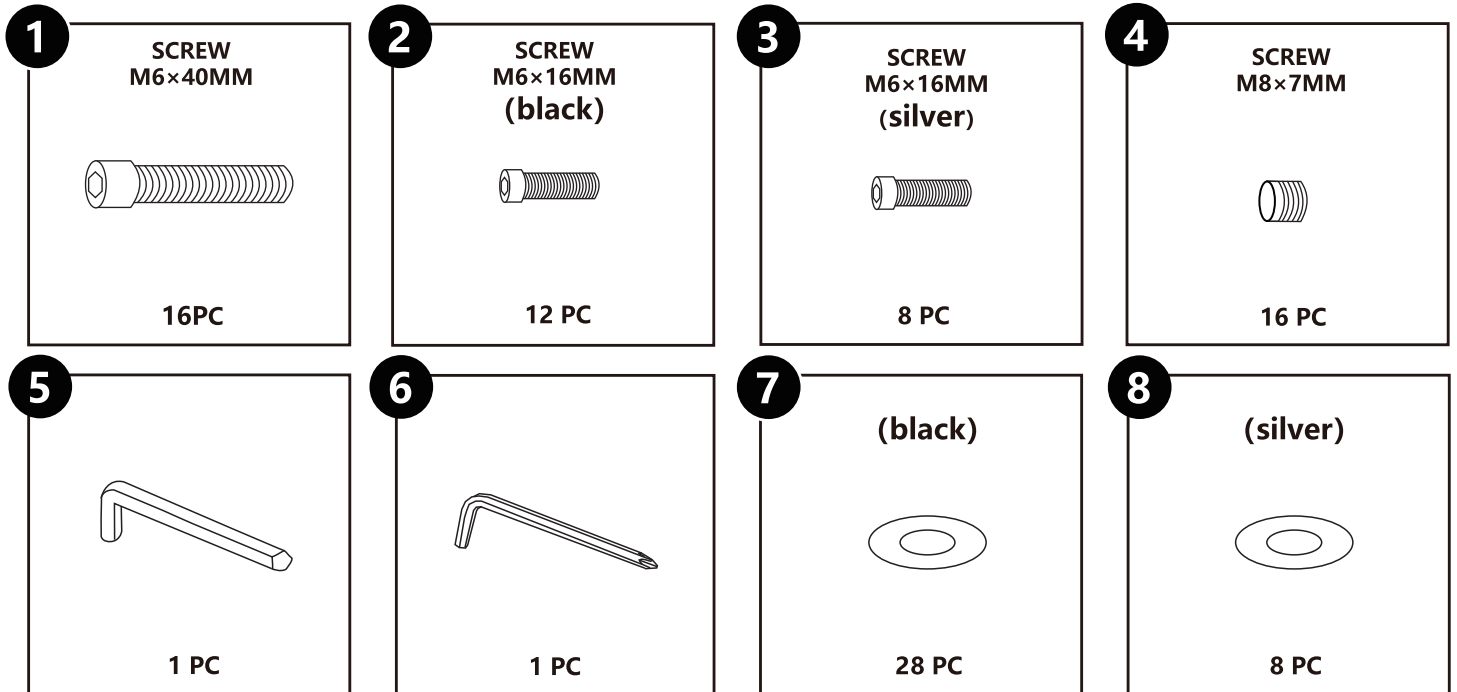
Then please browse the entire installation manual before assembly.

If problem occur unsatisfactorily as follows

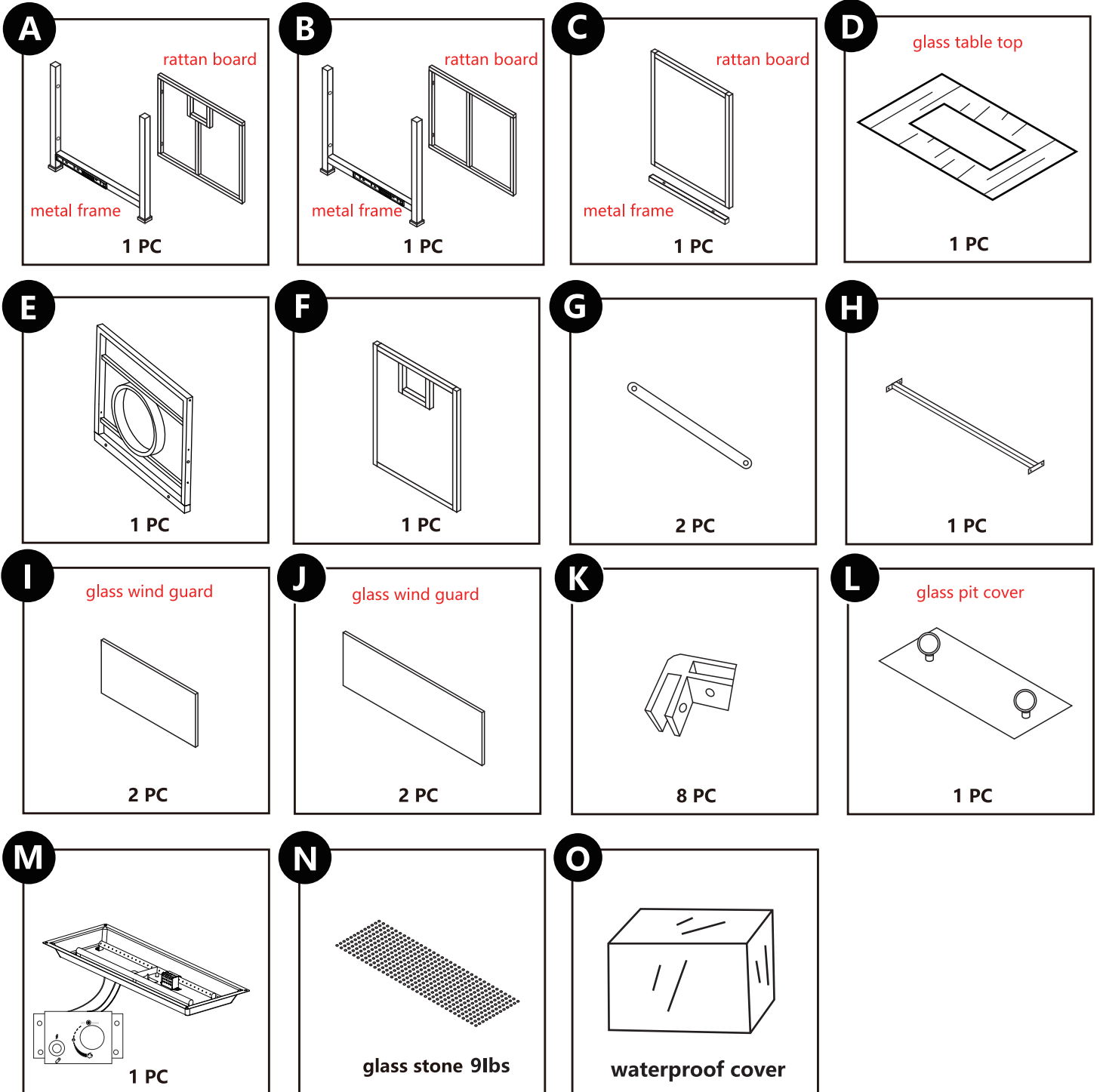
- A** . The outer box is damaged
- B** . The product is damaged / bent / cracked while you open the box
- C** . The parts / accessories / assembly tools are missing
- D** . The product is hard to assemble
- E** . The instructions are not clear and can not be referred
- F** . The product has functional problems
- G** . Other aspects that you are not satisfied with

Please do not hesitate to contact us for help. Our team with factory direct after-sales service will reply within 24 hours and will do our best to resolve the problem for you.

HARDWARE



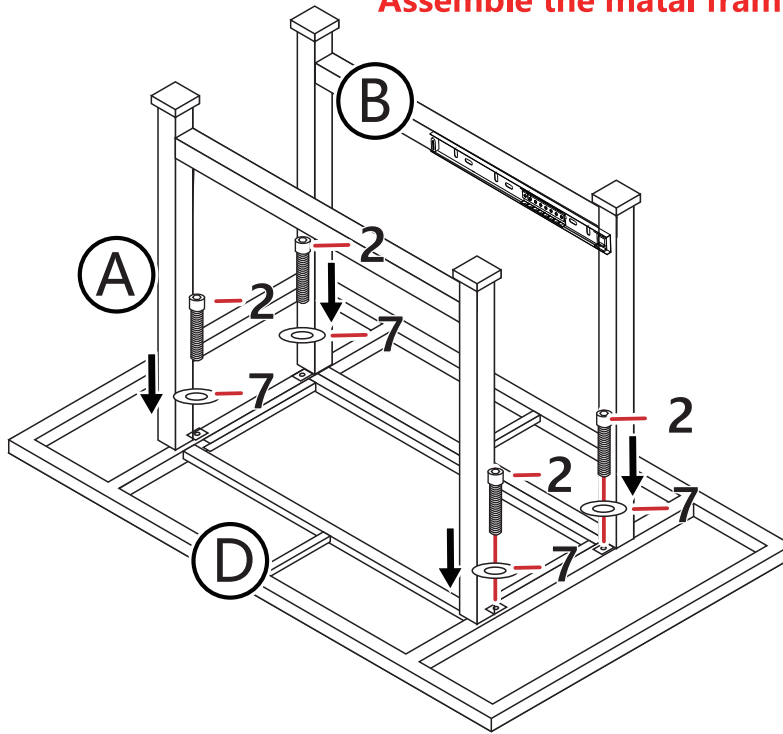
PARTS 1





PRODUCT ASSEMBLY

Step 1

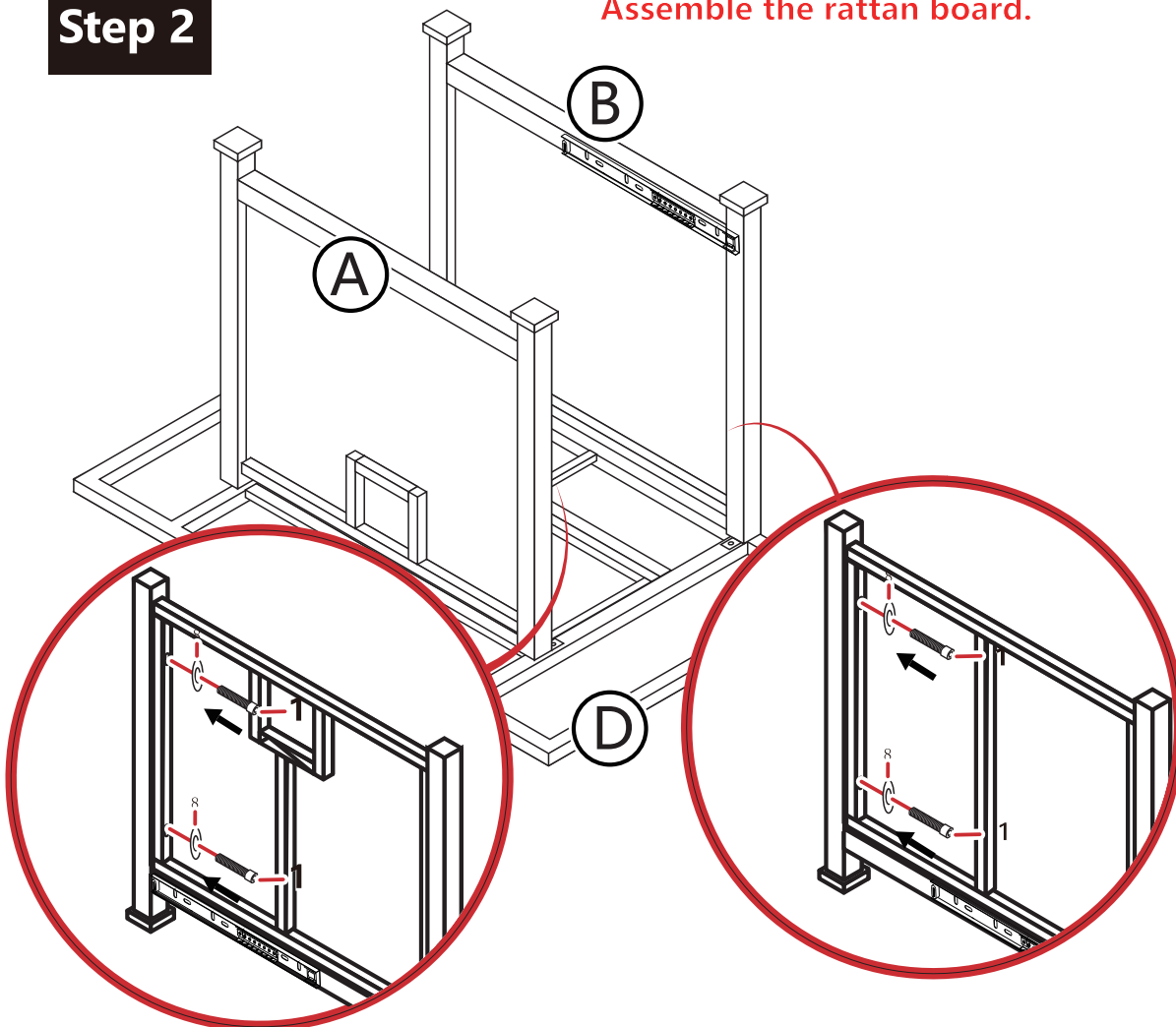
Assemble the metal frame.





2	SCREW M6×16MM (black)
	
7	4 PC (black)
	
	4 PC

Step 2

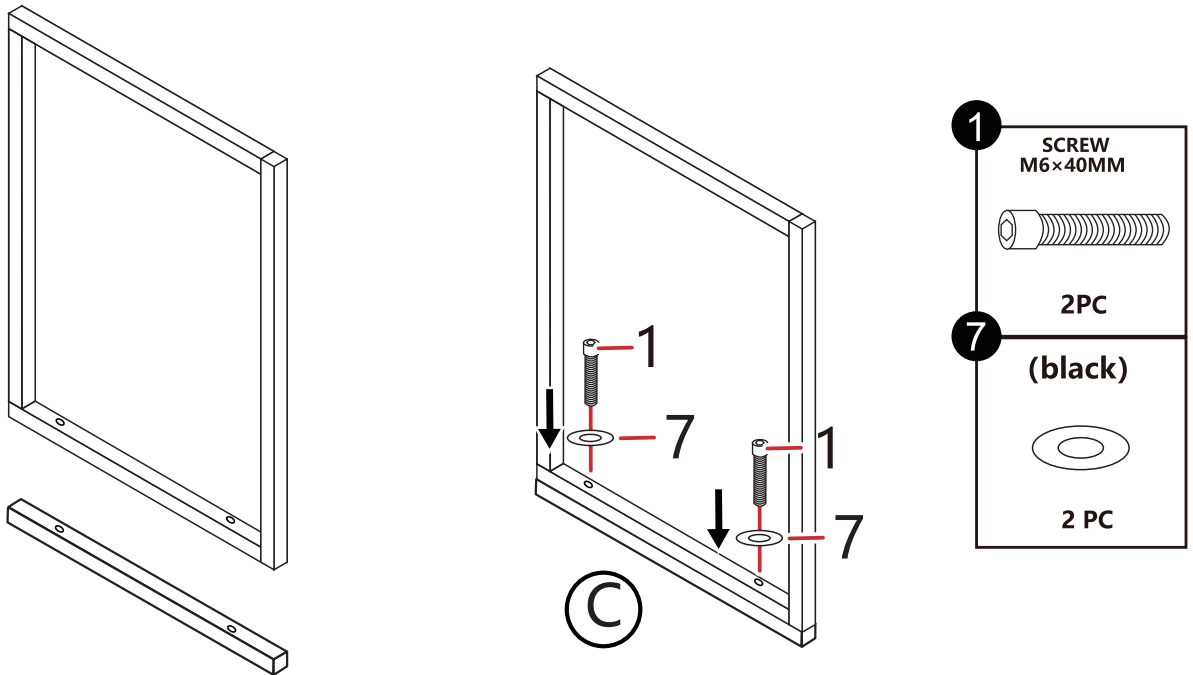
Assemble the rattan board.



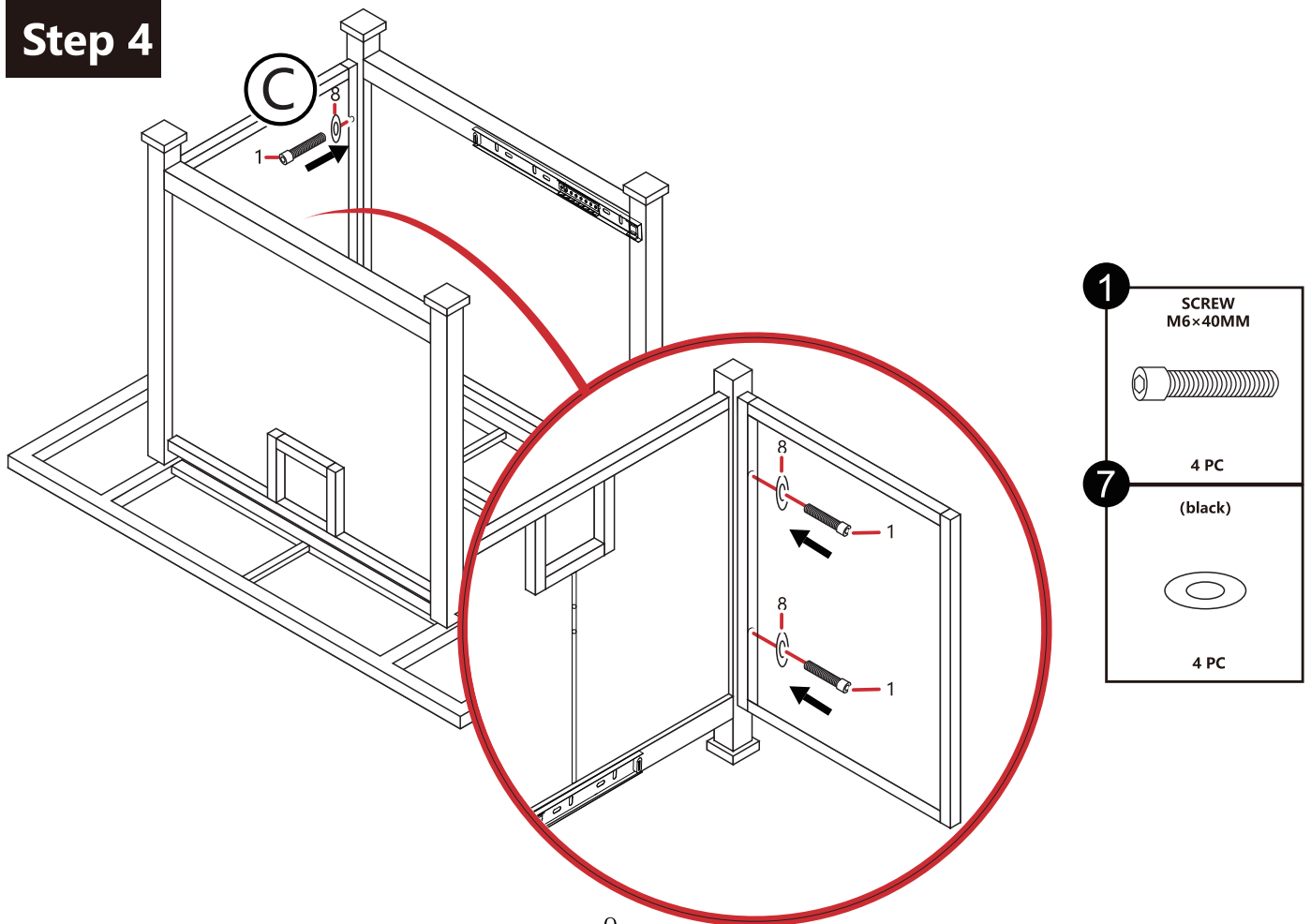
1	SCREW M6×40MM
	
7	8 PC (black)
	
	8 PC

PRODUCT ASSEMBLY

Step 3

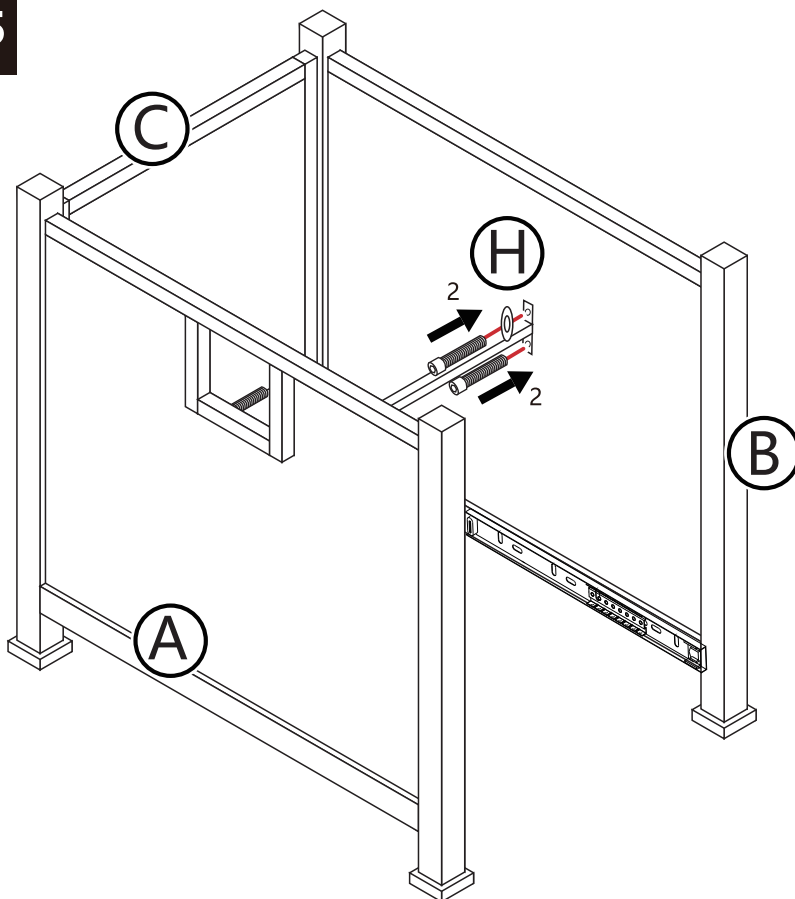





Step 4



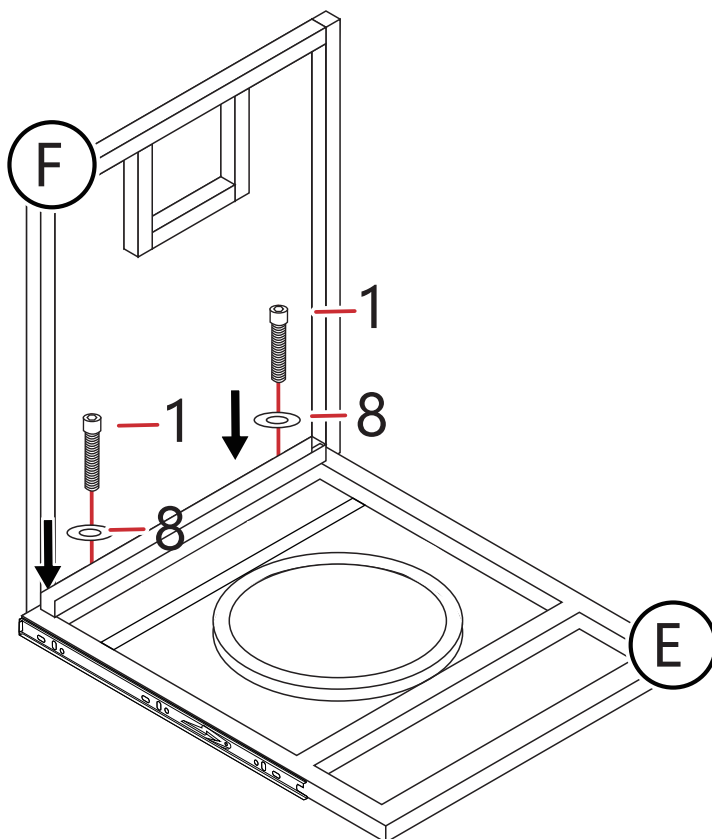
PRODUCT ASSEMBLY


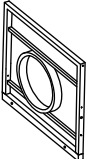

Step 5



7	(black)
	
H	4 PC
	
2	1 PC
	SCREW M6×16MM (black)
	
	4 PC

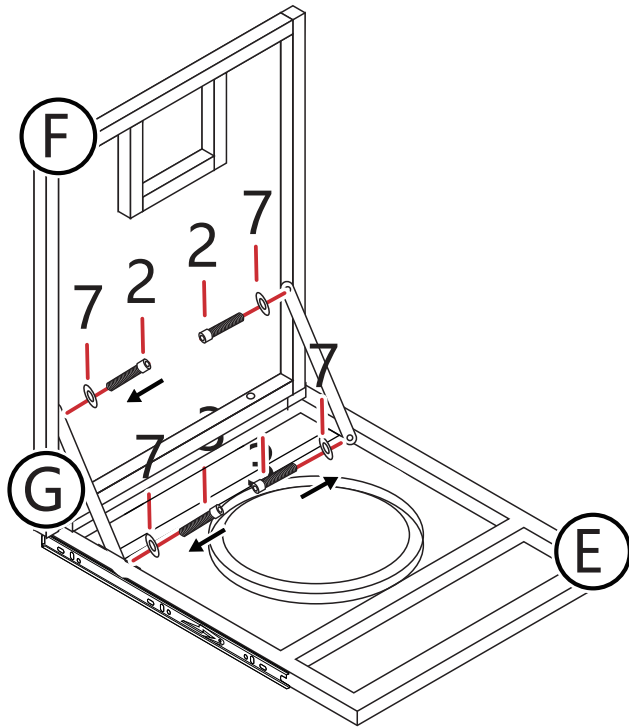
Step 6


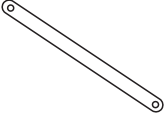



1	SCREW M6×40MM
	
E	2 PC
	
7	(black)
	
	2 PC

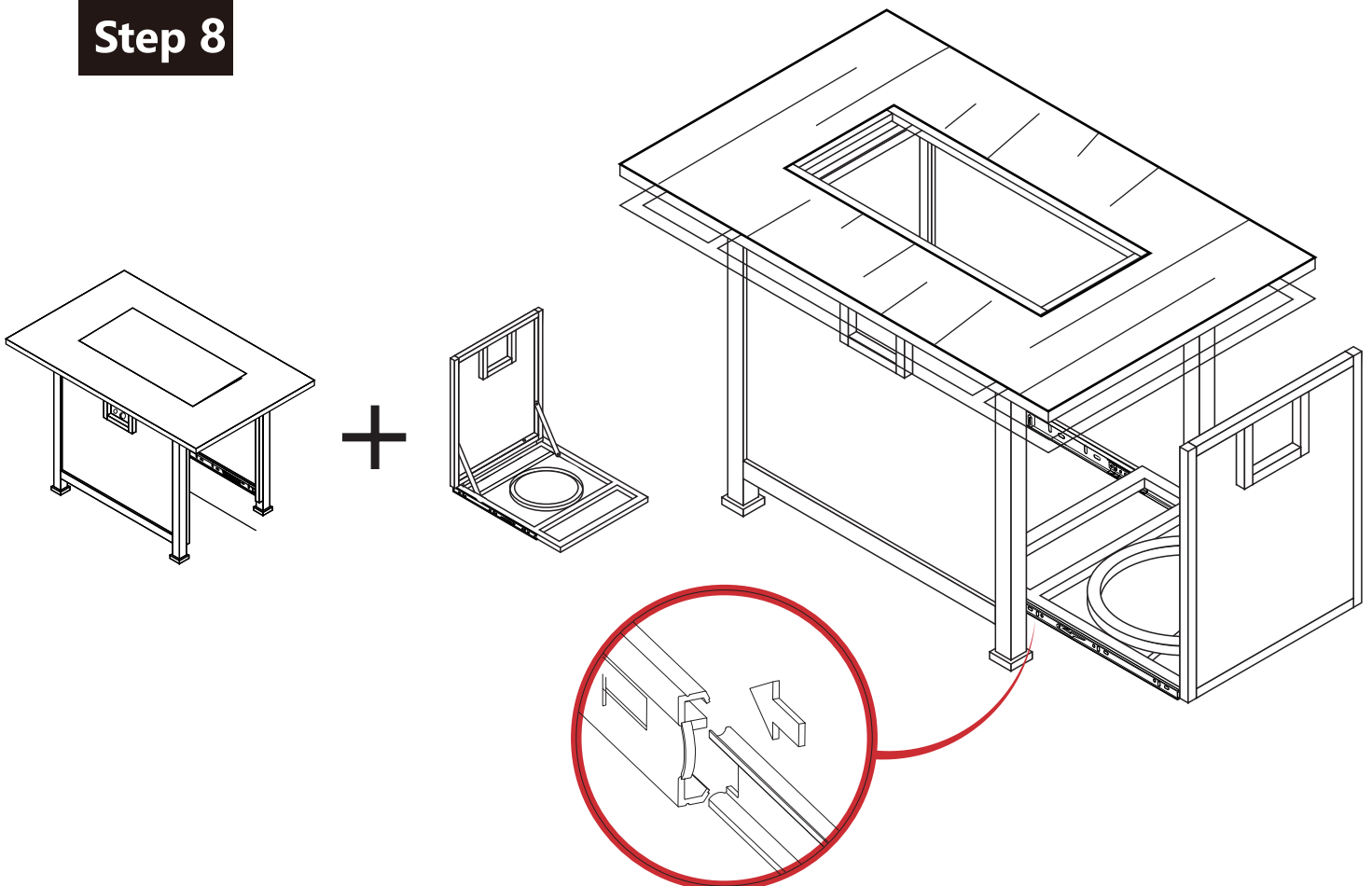
PRODUCT ASSEMBLY

Step 7



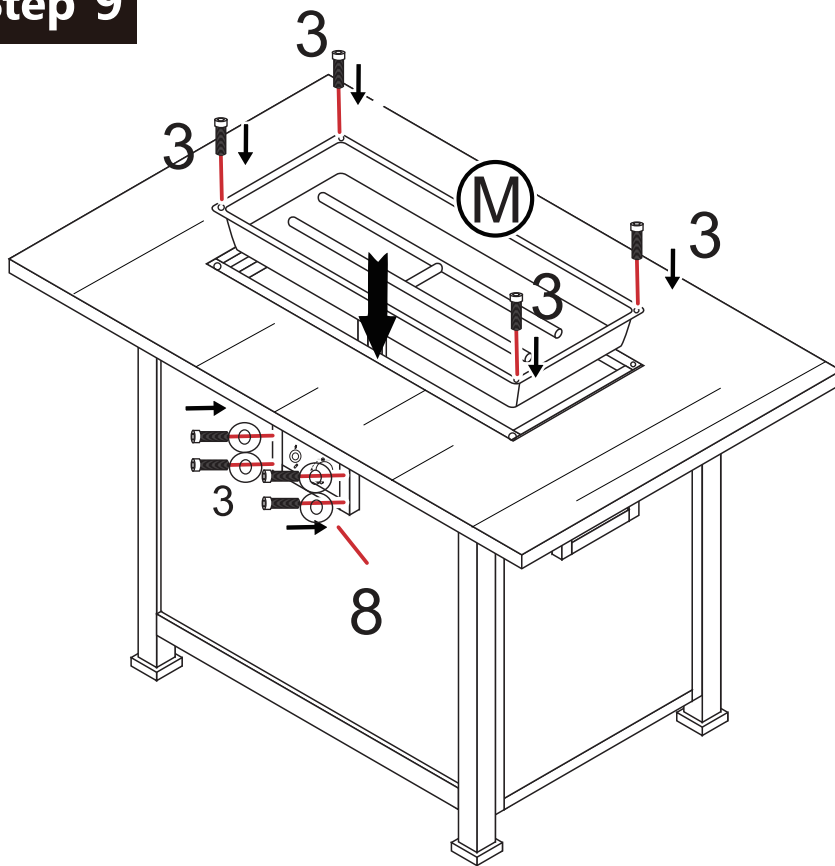
2	SCREW M6×16MM (black)
	
	4 PC
G	
	
	2 PC
7	(black)
	
	4 PC

Step 8



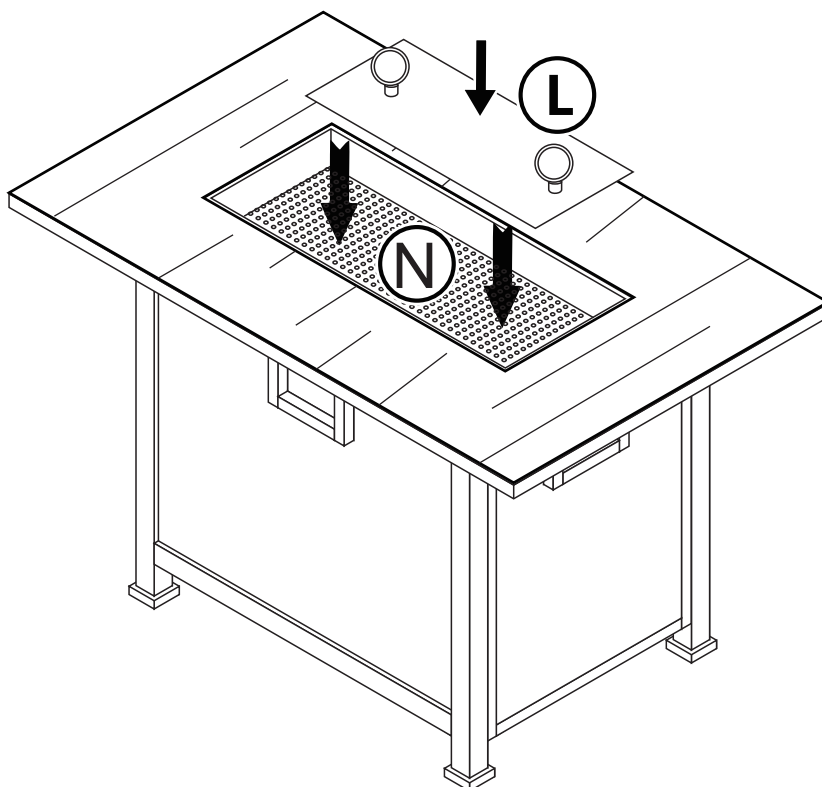
PRODUCT ASSEMBLY

Step 9



M	<p>1 PC</p>
3	<p>SCREW M6×16MM (silver)</p> <p>8 PC</p>
8	<p>(silver)</p> <p>4 PC</p>

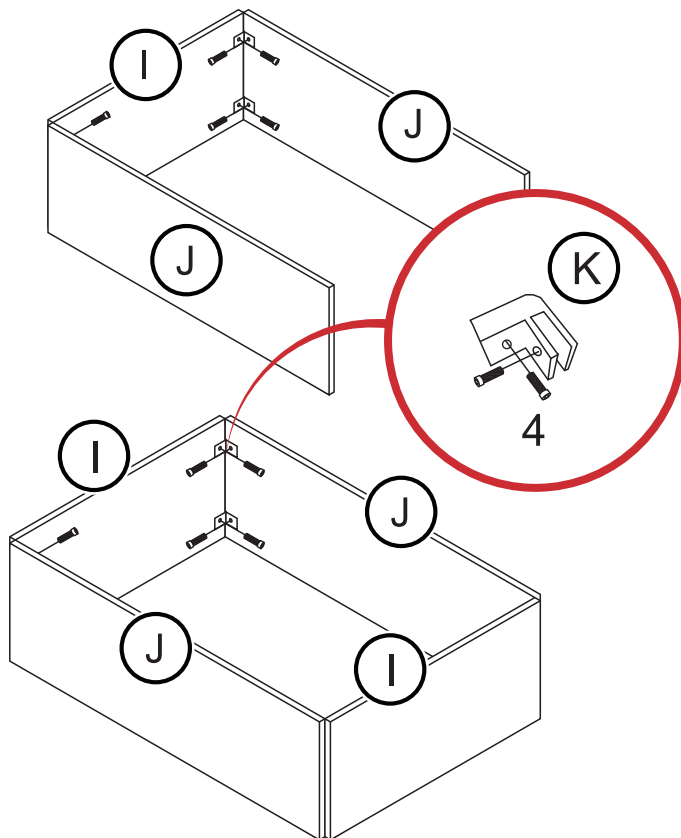
Step 10


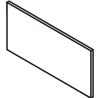
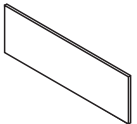


N	<p>glass stone 1 PC</p>
L	<p>1 PC</p>

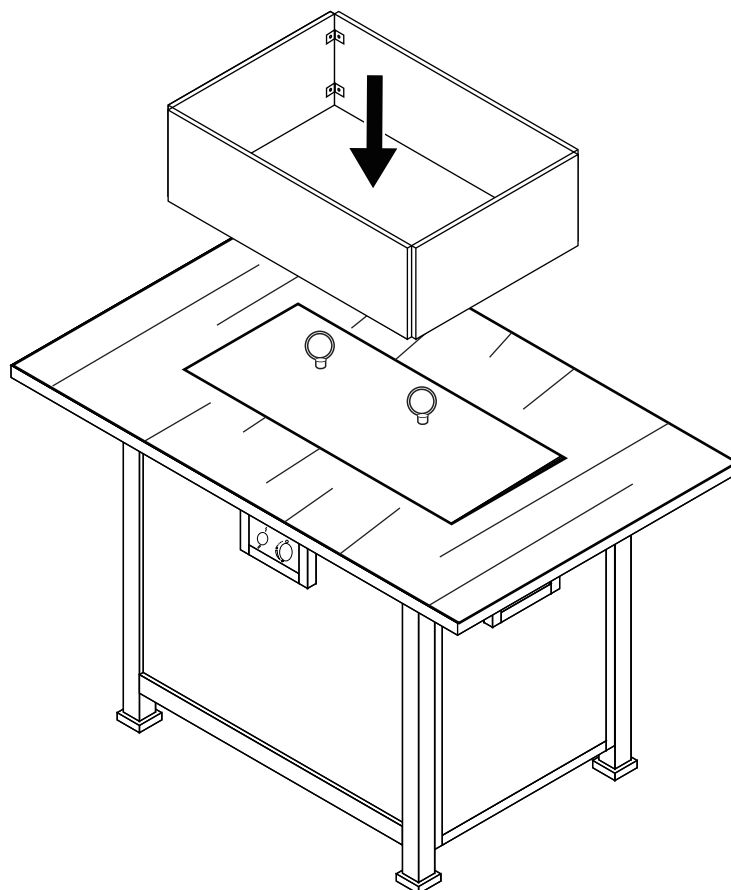
PRODUCT ASSEMBLY

Step 11



K		8 PC
I		2 PC
J		2 PC
4	SCREW M8×7MM	16 PC

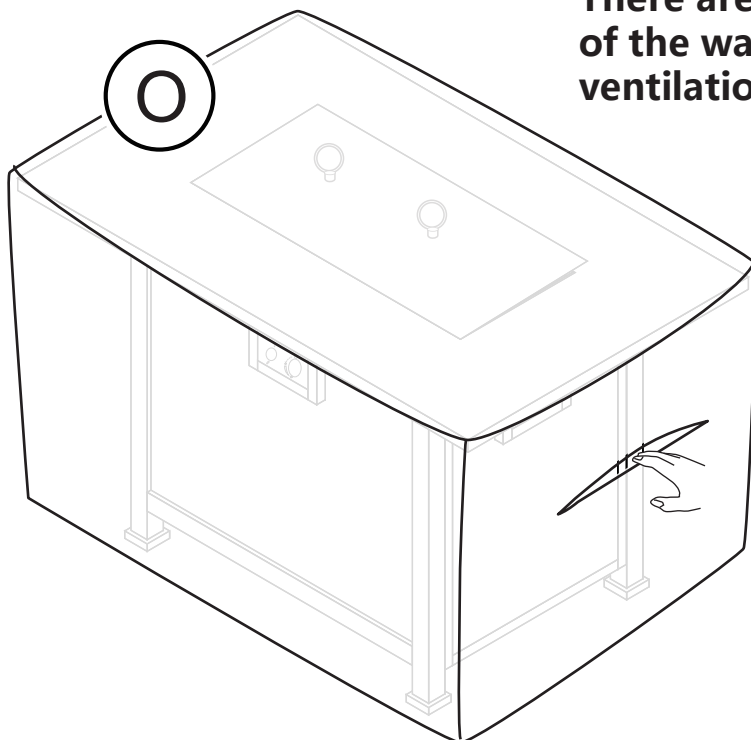
Step 12



PRODUCT ASSEMBLY

Step 13

Place a glass cover and cover it with a waterproof cover. There are gaps on both sides of the waterproof cover for ventilation



PRODUCT ASSEMBLY

Step 14

