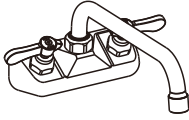
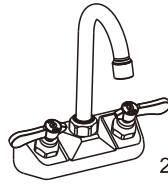


Installation instructions

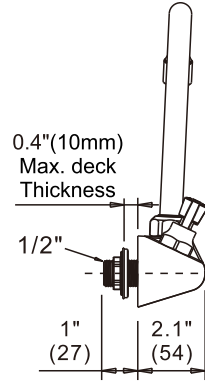
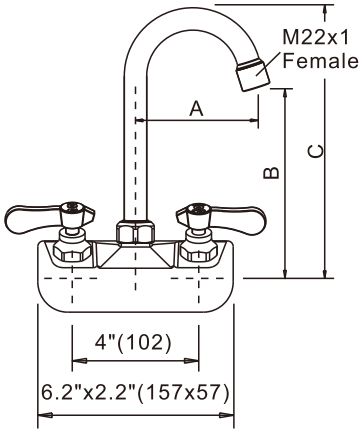
Pantry and Workboard Faucets



2319000C-6
 2319000C-8
 2319000C-10
 2319000C-12

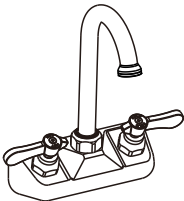
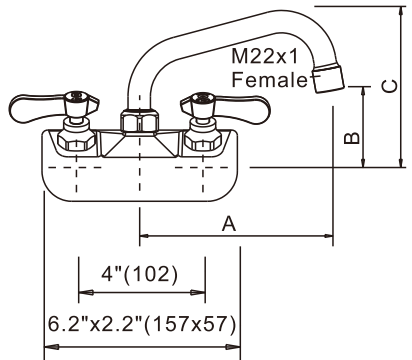





2319700C



Attach supply lines (not included).

MODEL	A	B	C
2319000C-6	6" (153)	2.4" (61)	4.9" (126)
2319000C-8	8" (203)	3" (79)	5.4" (139)
2319000C-10	10" (254)	3" (79)	5.4" (140)
2319000C-12	12" (305)	4.4" (114)	6.5" (166)
2319700C	3.8" (97)	6" (153)	8.5" (217)



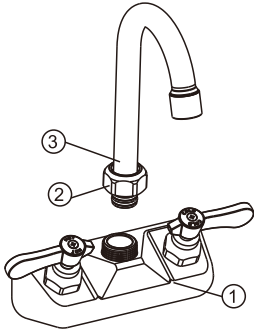
-  washer
-  1.2/1.8gpm aerator
-  aerator house

In areas with extremely low water pressure causing the faucet water flow to be unsatisfactory, replace the 2.2 gpm aerator to improve the water flow in the faucet.

Used for bathroom basin faucet:
 With 1.2 gpm are compliant with California water efficiency regulations,
 Used for kitchen sink faucet:
 With 1.8 gpm are compliant with California water efficiency regulations.
 Complies with California Proposition 65 and with the Federal Safe Drinking Water Act.

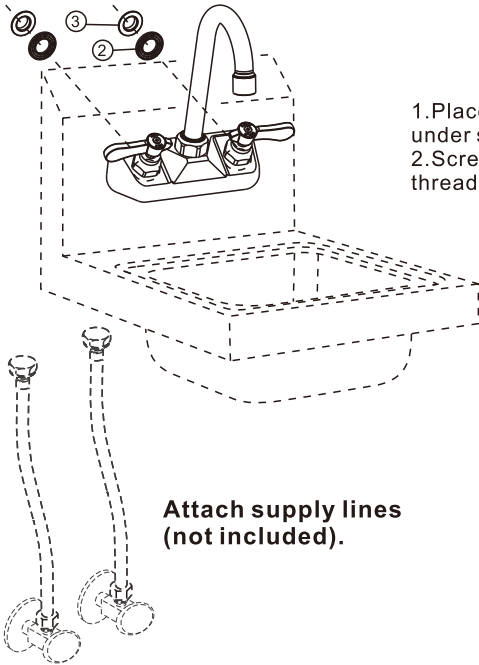
Water Use Information:
 basin faucet: 1.2 gpm 4.5L/min,
 kitchen faucet: 1.8 gpm 6.8L/min.

1



Put the swing nozzle (3) into the body (1), screw the nut (2).

2



1. Place gasket (2) over thread rod under sink.
2. Screw hexagonal lock nut (3) on to thread rod and tighten.

**Attach supply lines
(not included).**

FLUSH SYSTEM/CHECK FOR LEAKS.
Turn on hot and cold water supplies and flush water lines for one minute.
Check all connections at arrows for leaks.
Retighten if necessary, but do not overtighten.