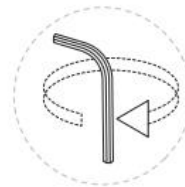
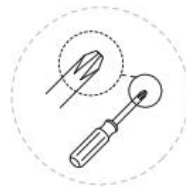


Before You Start

- ⚠ Read each step carefully before starting. It is very important to ensure each step followed in correct order, otherwise assembly difficulties may occur.
- ⚠ Most of board parts are labeled or stamped on the raw edges. Have a check to make sure all parts are included.
- ⚠ Work in a spacious area, preferably on a carpet close to where the unit will be used.
- ⚠ Keep the handtools close at hand. Do not use power tools to assemble your furniture. They may scratch or damage the parts.

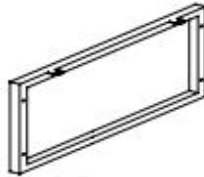


Part List

EN



1 x1pc
Table Top



2 x2pcs
Long Side Table



3 x2pcs
Short Side Table



4 x12pcs
Wood Leg



5 x2pcs
Seat Panel



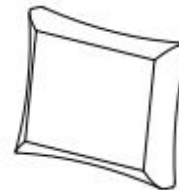
6 x2pcs
Back Panel



7 x2pcs
Right Leg



8 x2pcs
Left Leg



9 x2pcs
Cushion Back



10 x2pcs
Cushion seat



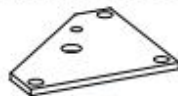
M6x15mm Bolt
A x36pcs



M6x30mm Bolt
B x36pcs



M4x15mm Screw
C x6pcs



Metal Plate
D x12pcs



M8x25mm Bolt
E x12pcs



M8x16x2mm Steel washer
F x12pcs

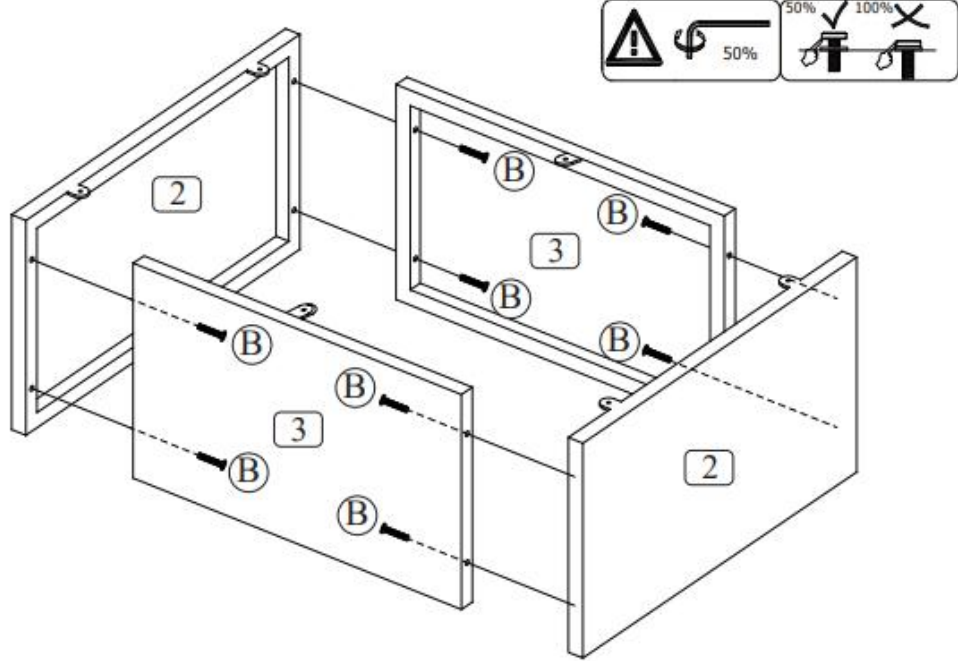


M4x20mm Screw
G x12pcs

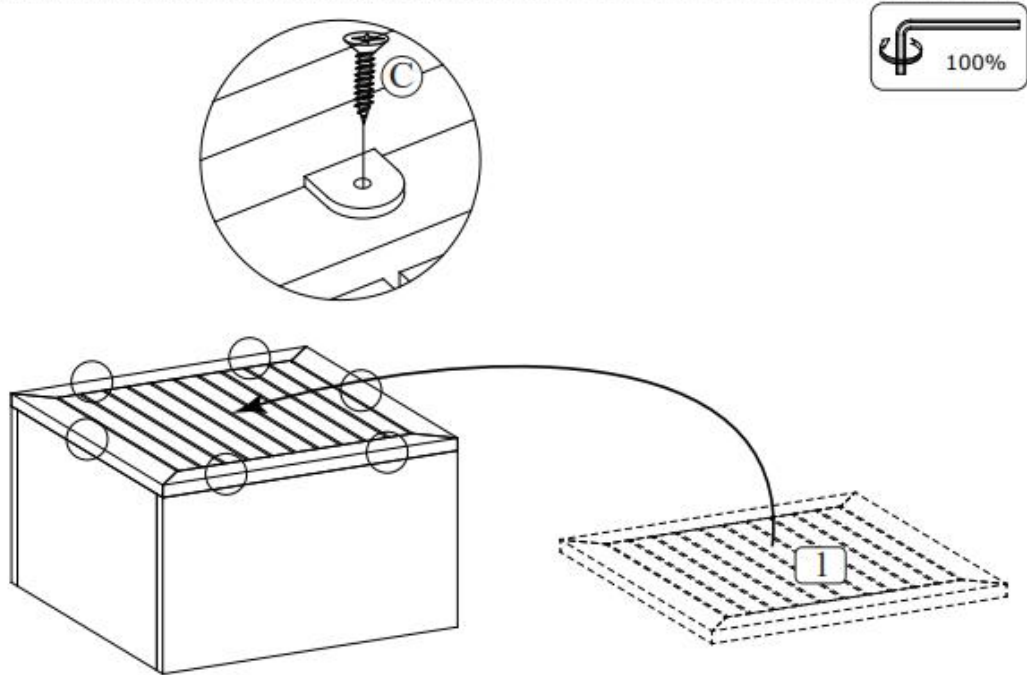


M4 Allen key
H x2pcs

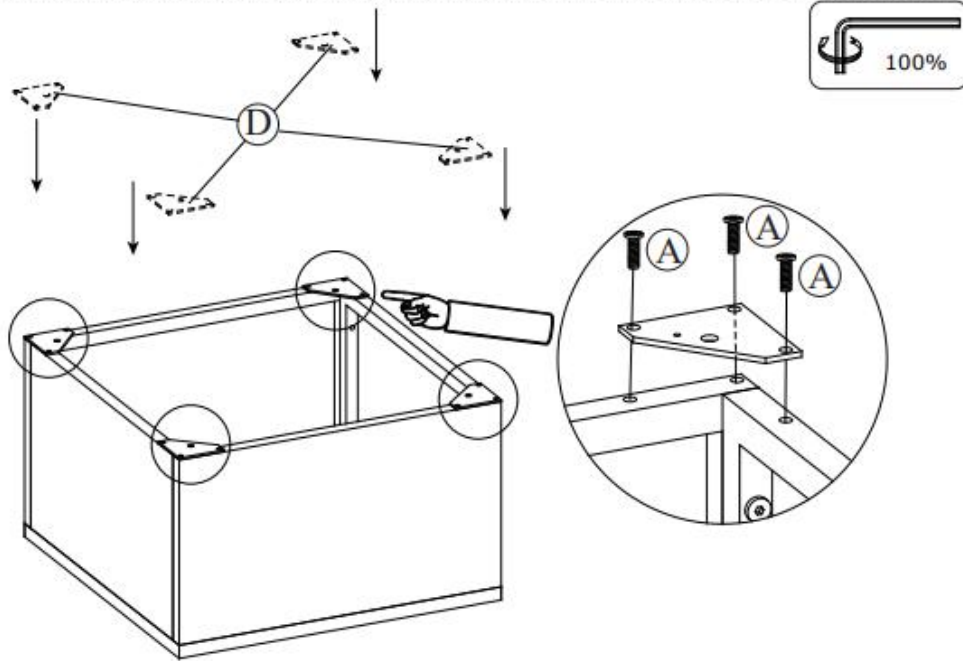
STEP 1:



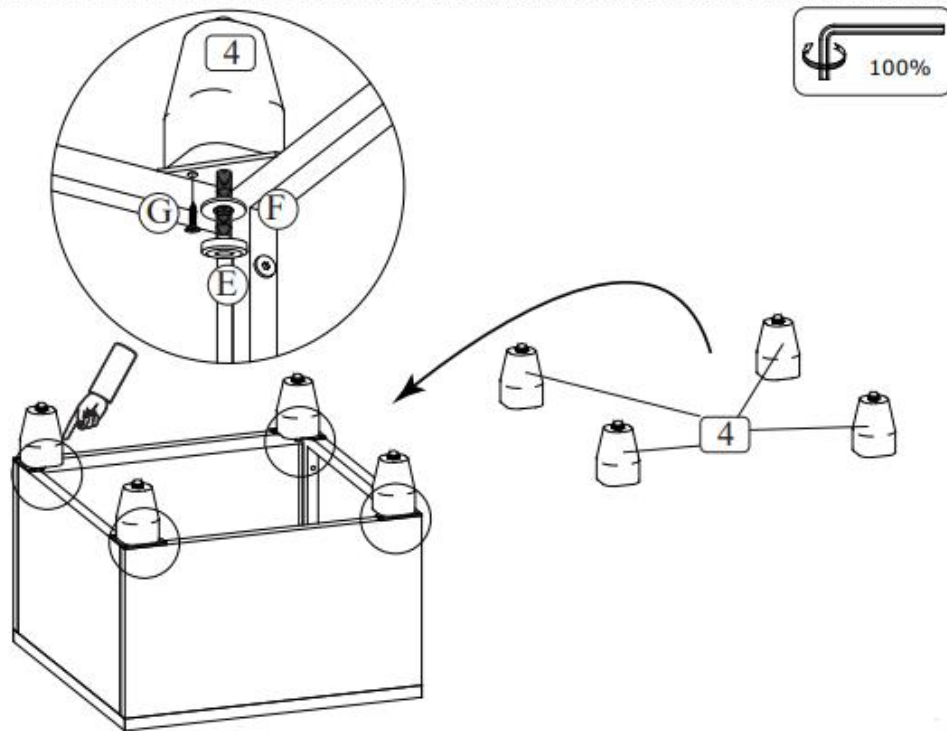
STEP 2:



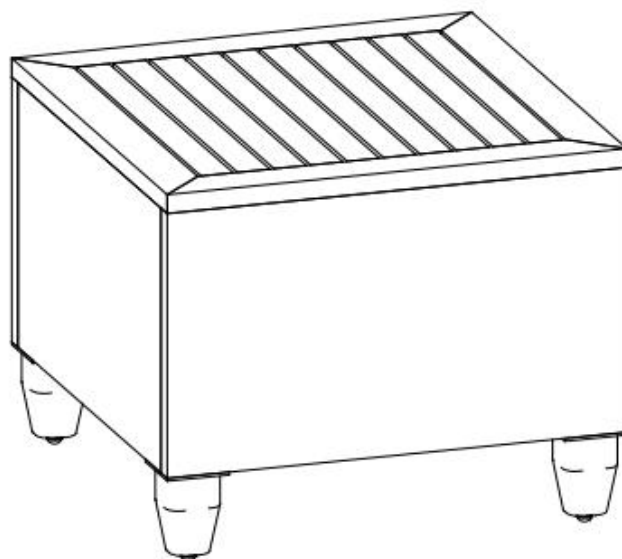
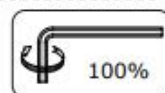
STEP 3 :



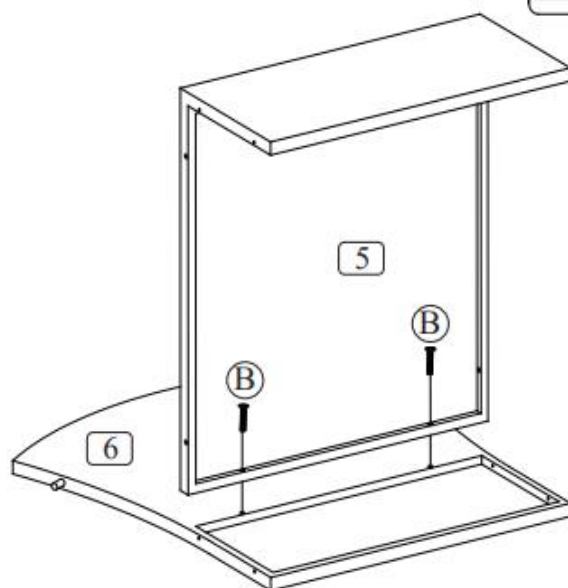
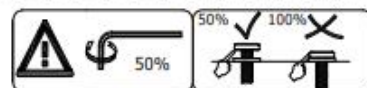
STEP 4:



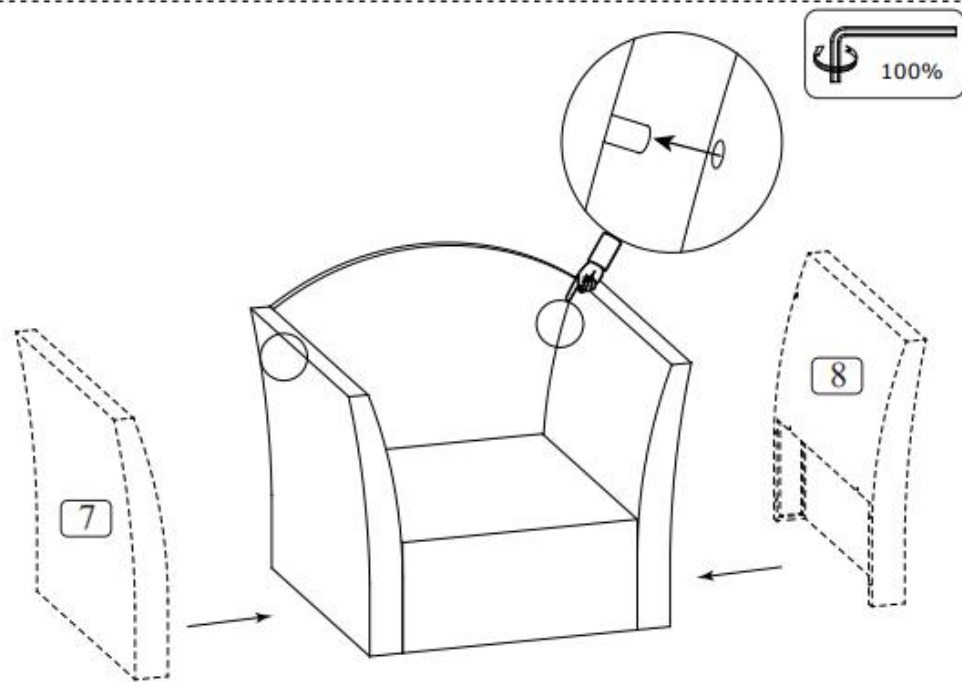
STEP 5:



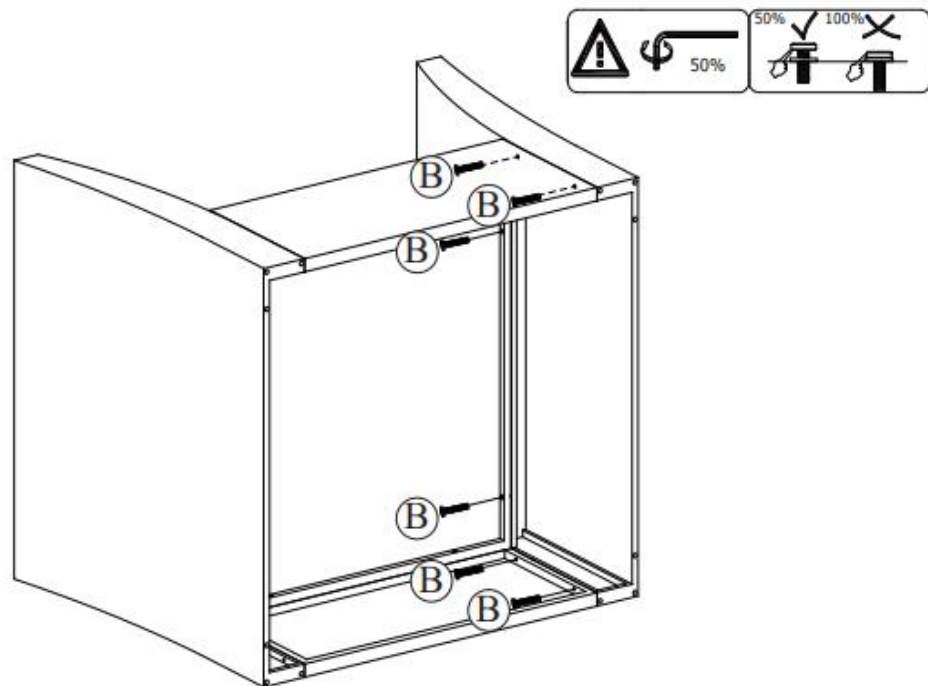
STEP 6: X2



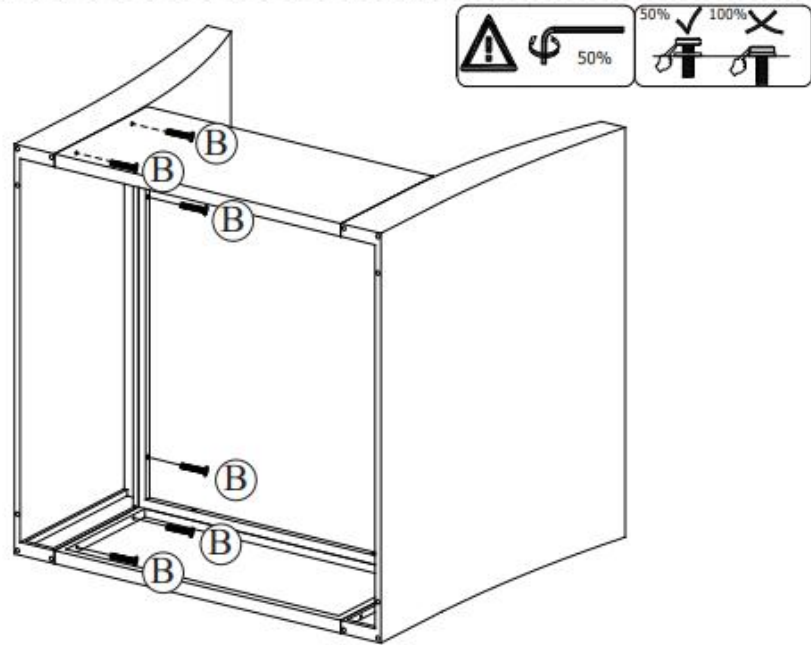
STEP 7 : X2



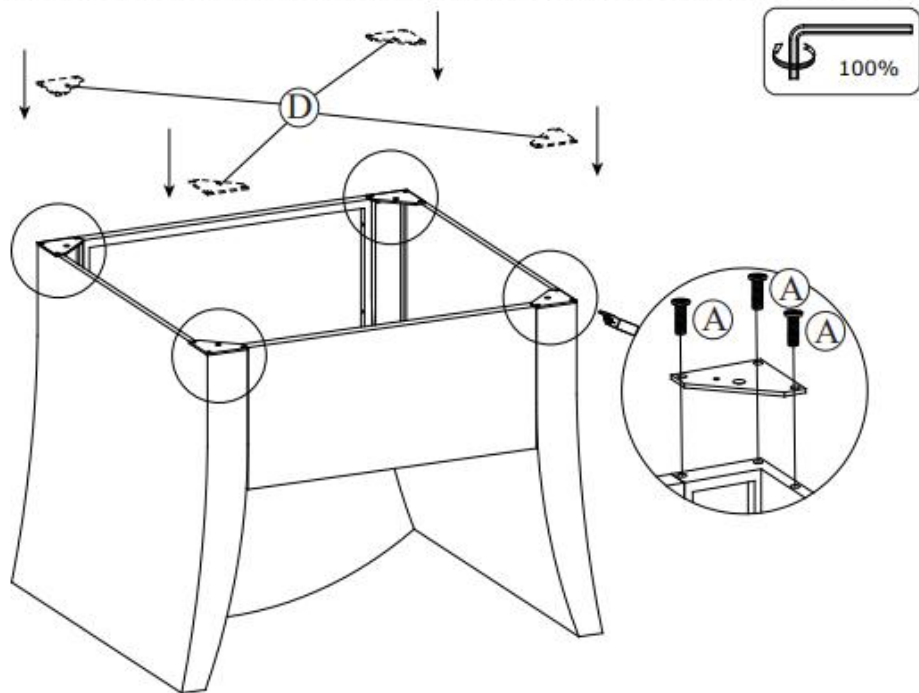
STEP 8: X2



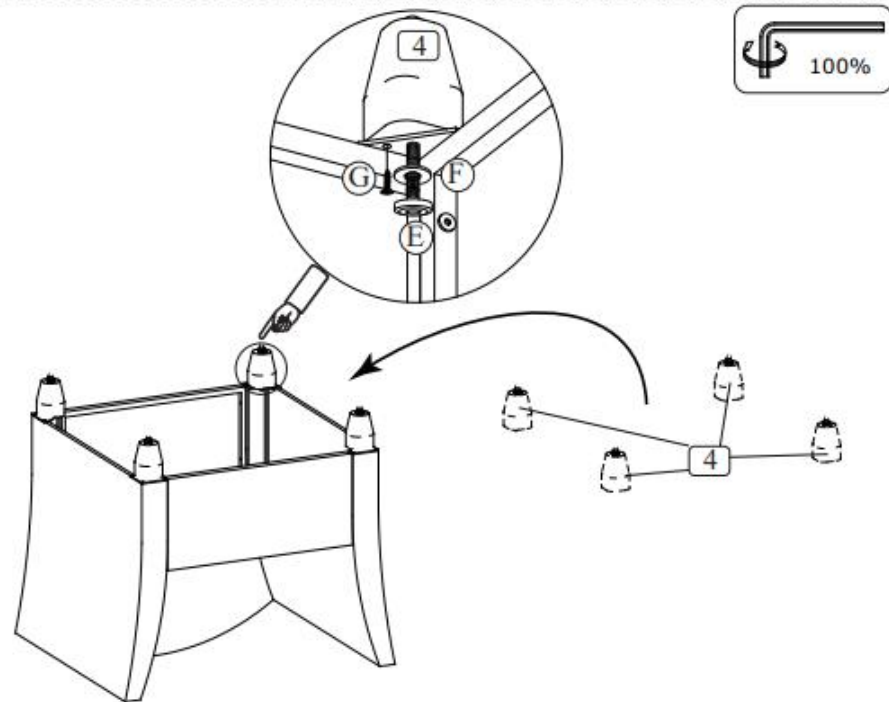
STEP 9: X2



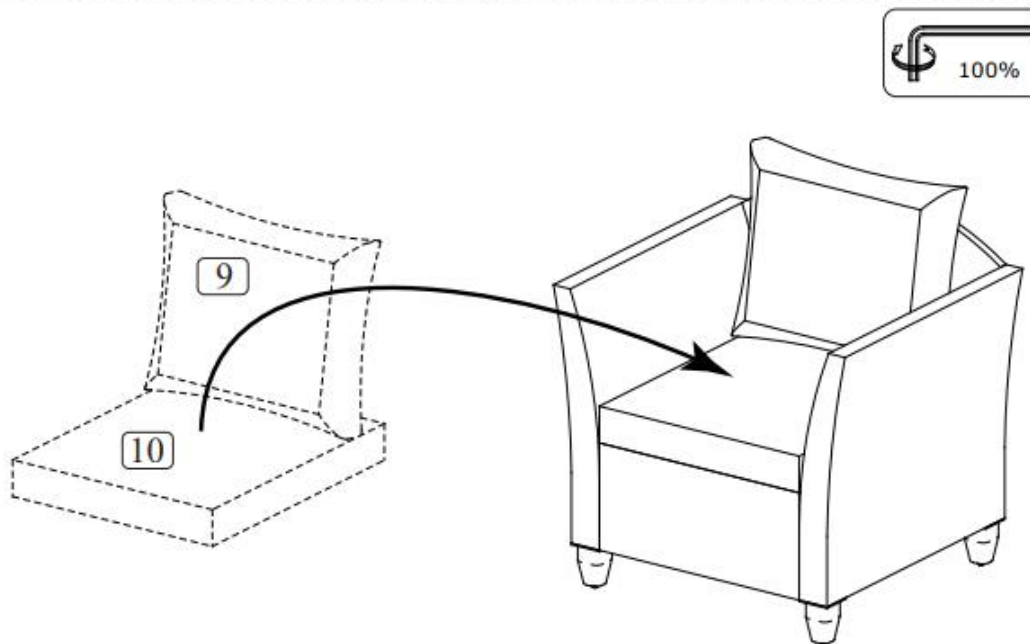
STEP 10: X2



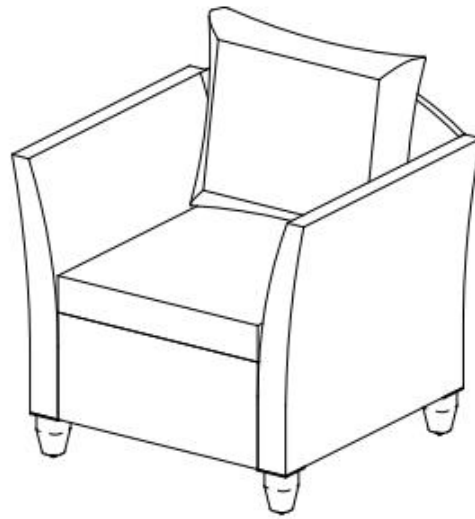
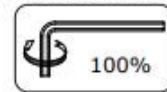
STEP 11 : X2



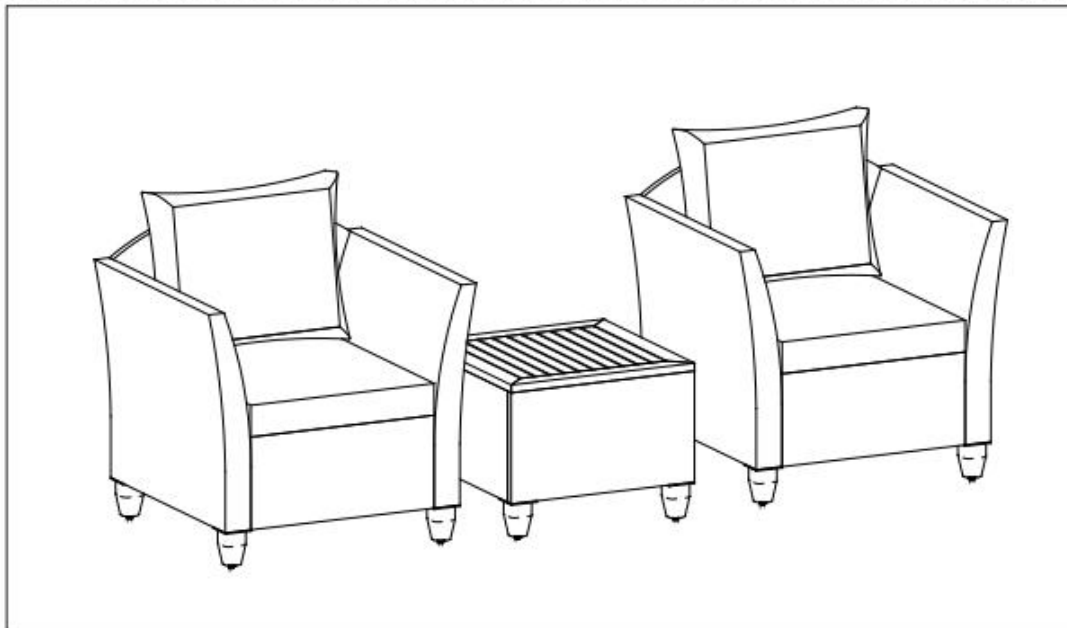
STEP 12: X2



STEP 13:



STEP 14:



Care and Maintenance

Use a soft, clean cloth that will not scratch the surface when dusting.

Use of furniture polish is not necessary.

Should you choose to use polish, test first in an inconspicuous area.

Using solvents of any kind on your furniture may damage the finish.

Never use water to clean your furniture as it may cause damage to the finish.

Liquid spills should be removed immediately. Using a soft clean cloth, blot the spill gently. Avoid rubbing.

Check bolts/screws periodically and tighten them if necessary.

Further advice about wood furniture care

Please protect your outdoor furniture with a cover when not in use since long-term sunlight exposure will result in the damage on the surface.

In addition to sunlight damage, wood and metal frame suffers when exposed to extremes in temperature and humidity.

Proper care and cleaning at home will extend the life of your purchase.

Following these important and helpful tips will enhance your furniture as it ages.