



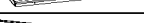






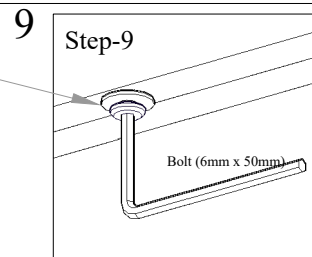
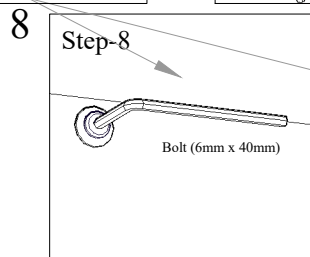
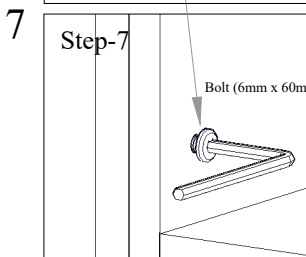
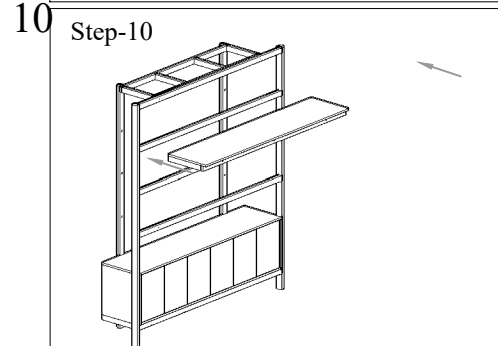
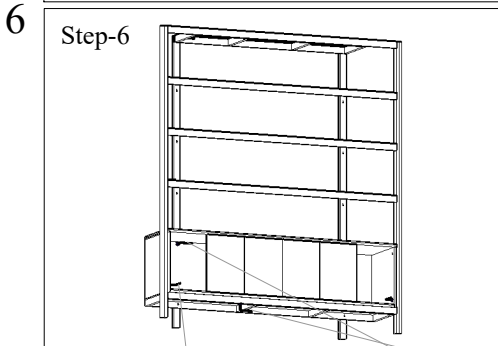
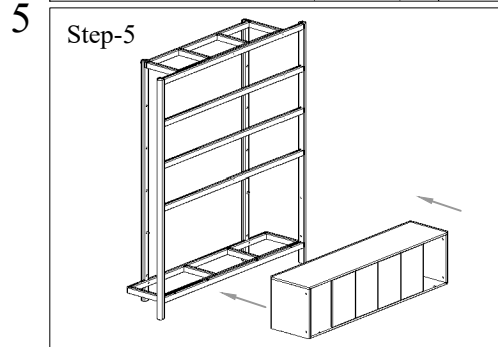
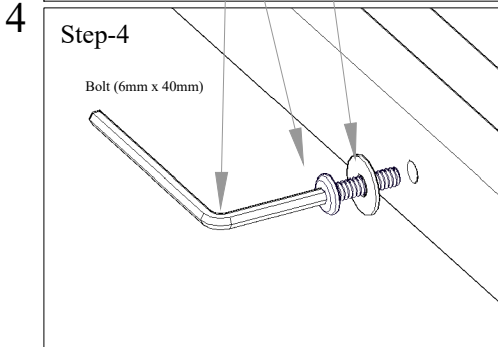
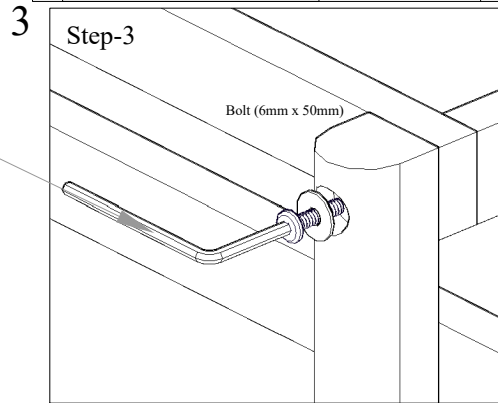
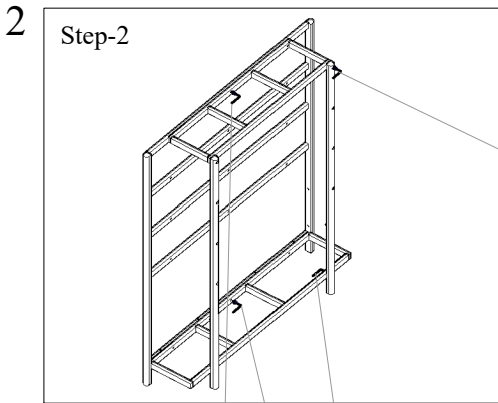
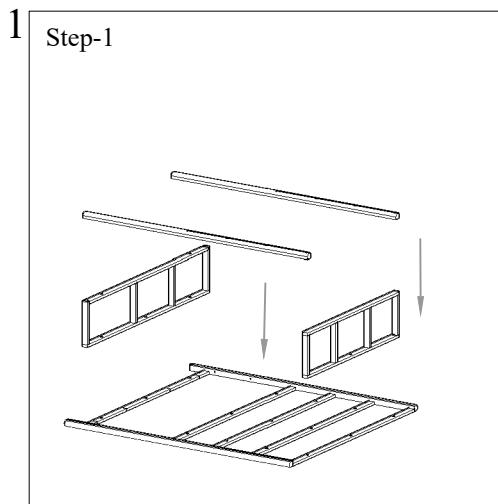
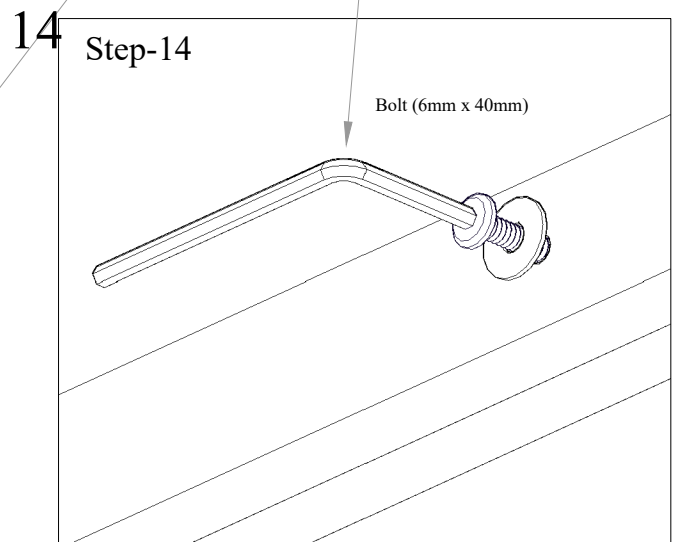
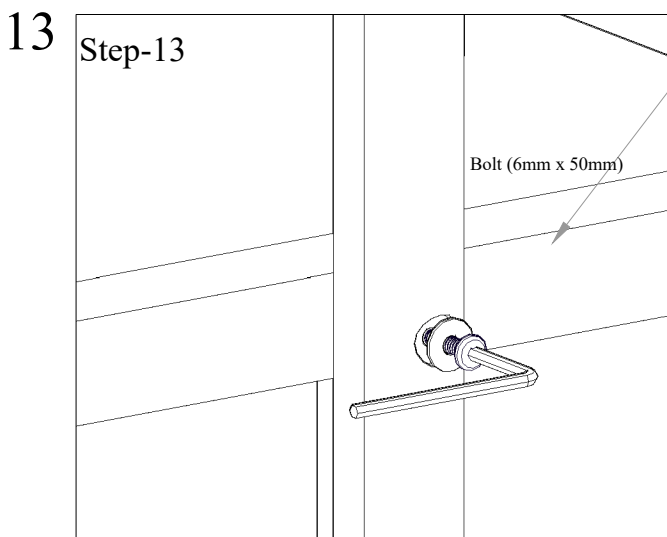
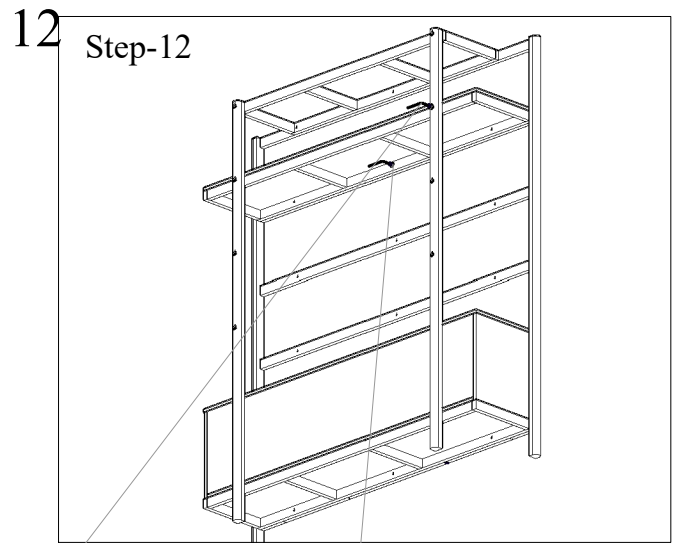


ASSEMBLY INSTRUCTION
Wide Bookcase

S. No.	Product Image	Description	Qty.
1.		Front Wooden Frame	1
2.		Sideboard	1
3.		Top Wooden Frame	1
4.		Bottom Wooden Frame	1
5.		Wooden Shelf	3
6.		Back Wooden Support	2
7.		Bolt (6mm x 40mm)	25
8.		Bolt (6mm x 50mm)	12
9.		Bolt (6mm x 60mm)	4
10.		Washer	41
11.		AllenKey	1



CAUTION- Please do not over tighten bolt/Screws.



CAUTION- Please do not over tighten bolt/Screws.