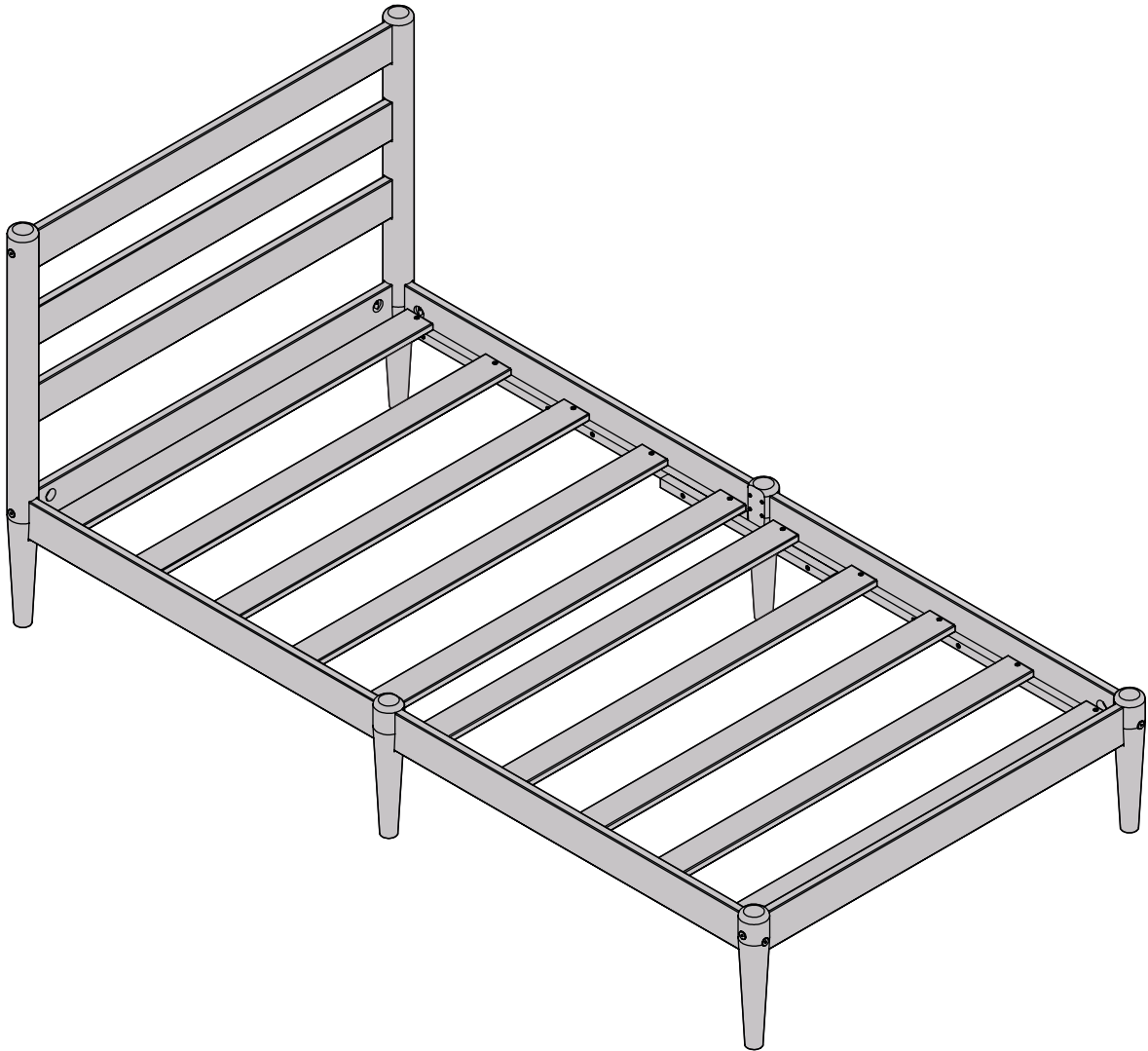


Mid Century - Twin Bed



Assembly
02 people



Time
1-2 hours approximately

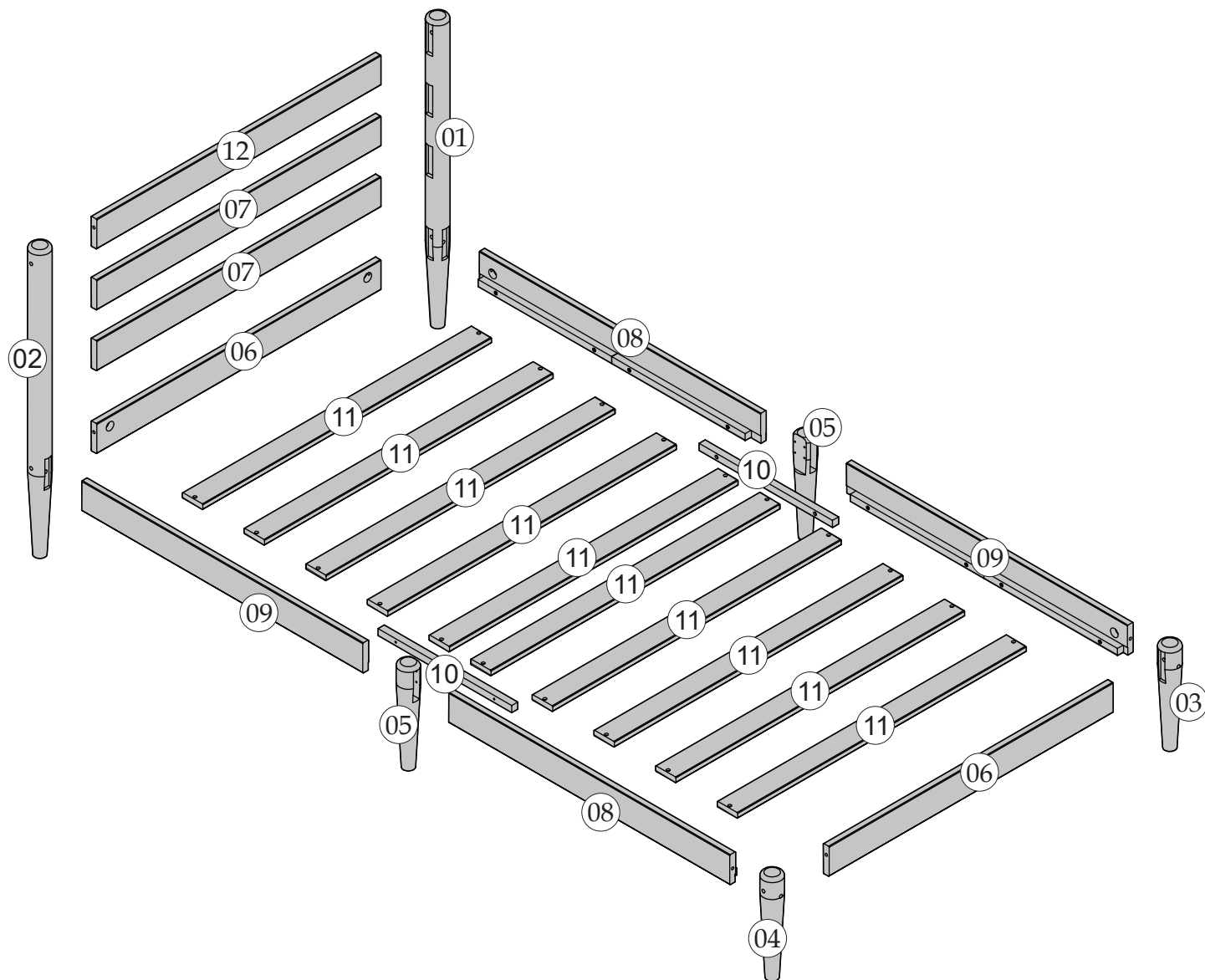


Tools
philips key, rubber hammer



Volume quantity
01 boxes


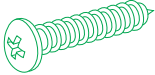

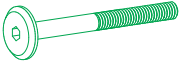
Parts list for assembly. Please confirm all parts available before assembly

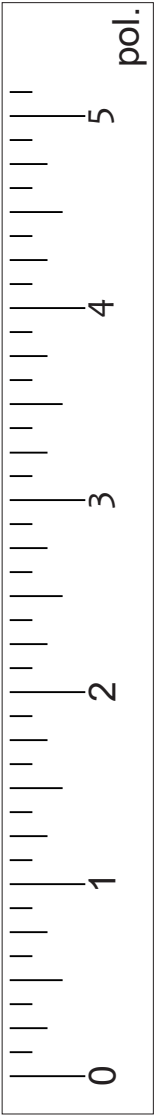


ATTENTION

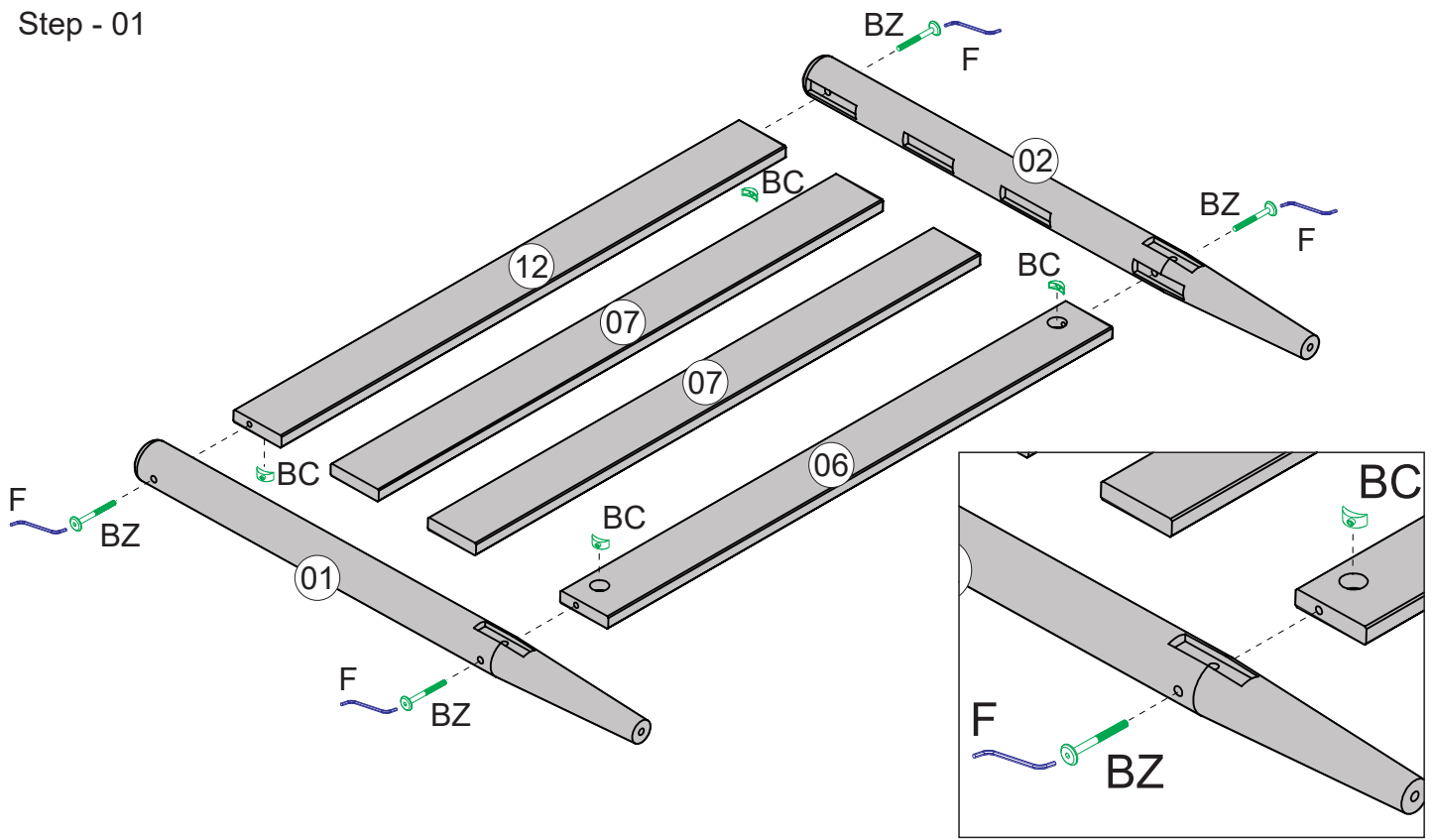
- * Read and observe carefully all the assembly instructions before beginning assembly.
- * The assembly of the product must be done on a clean and flat surface. We suggest to use the packaging to cover the floor to avoid damages.
- * The screws must be tightened periodically.
- * Avoid contact with sharp objects.
- * Avoid banging pieces together.

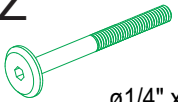


Hardware list for assembly.
Please confirm all hardware available before assembly

F		01x	+	SPARE 01x
AP	 ø1/8" x 1' 3/8"	32x	+	03x
BC	 1/4"	10x	+	01x
BZ	 ø1/4" x 3' 1/2"	10x	+	01x

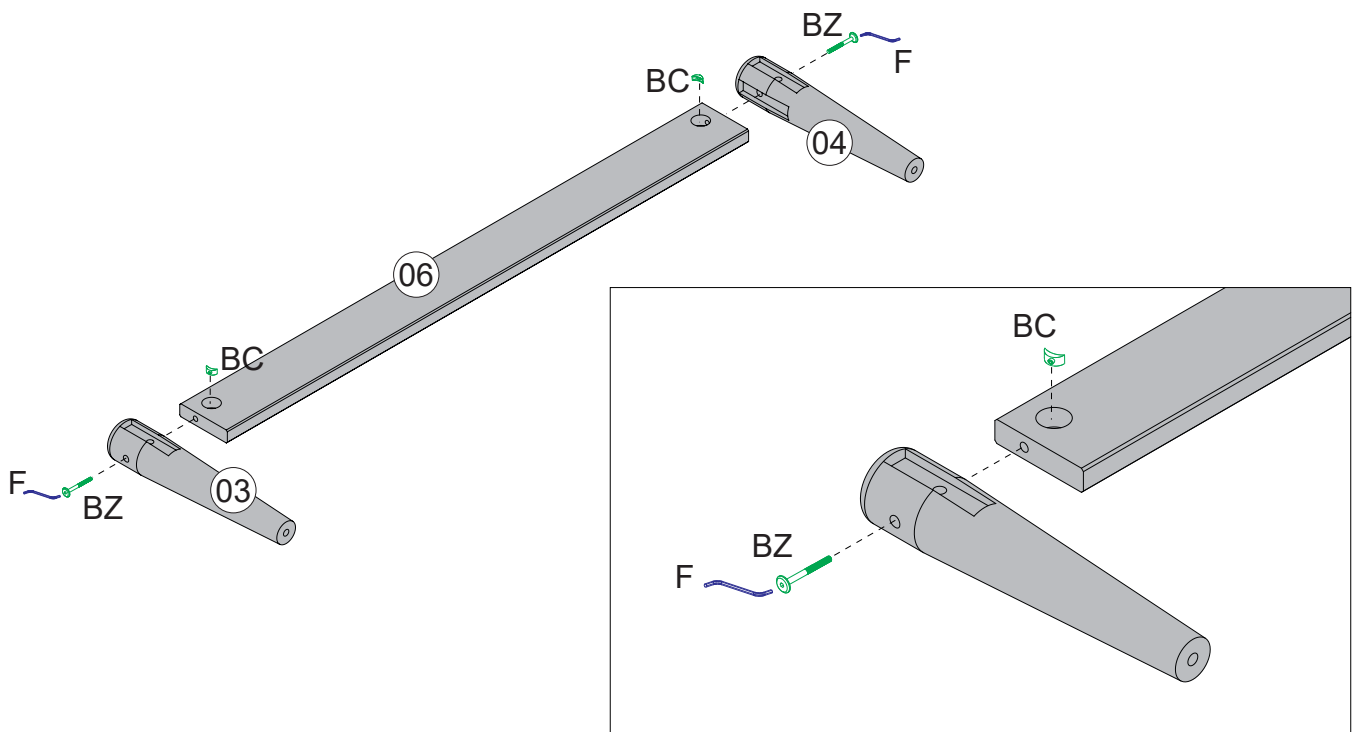


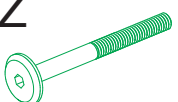


Step - 01



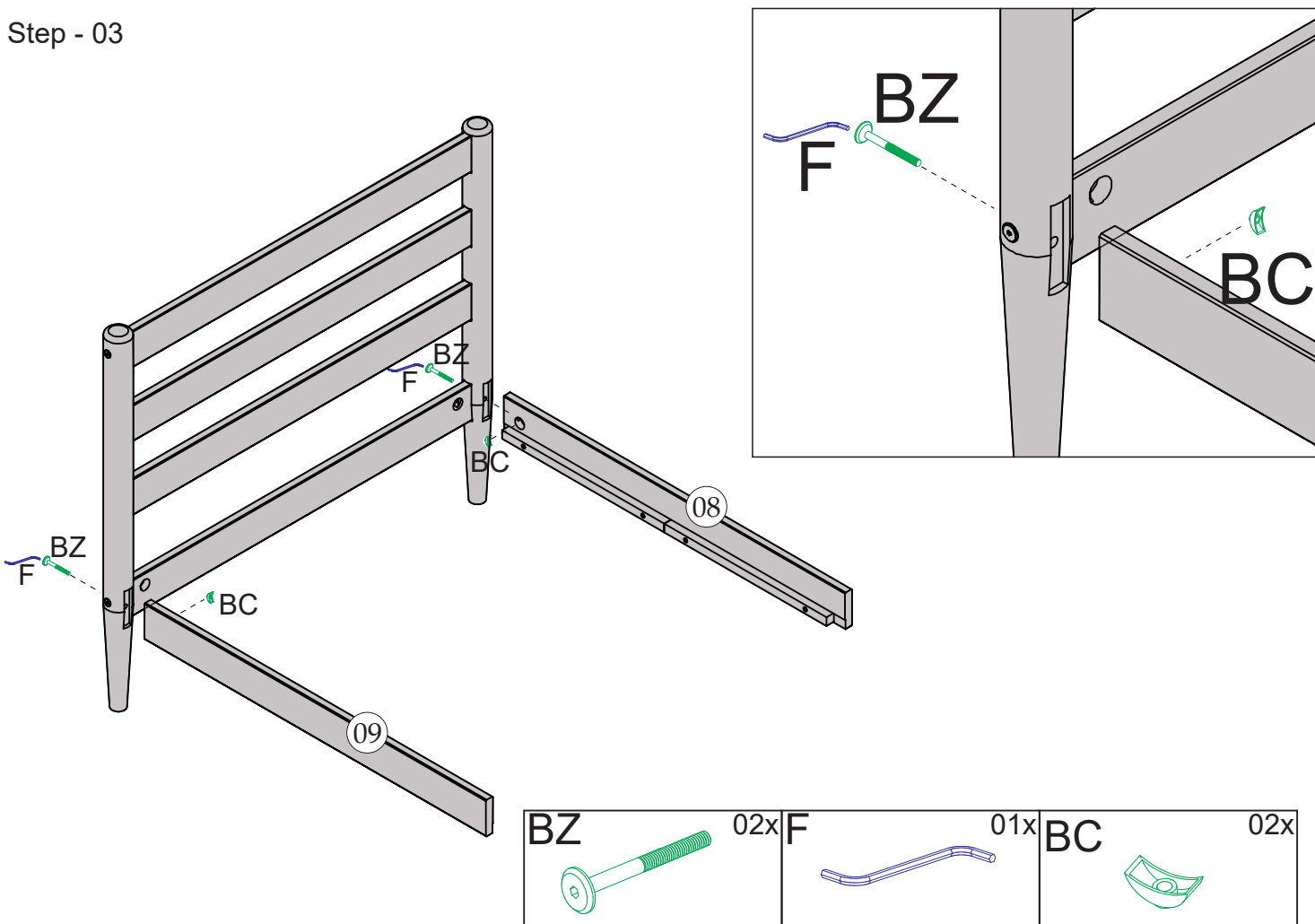
BZ		04x	F		01x	BC		04x
	$\varnothing 1/4" \times 4 1/4"$							1/4"

Step - 02

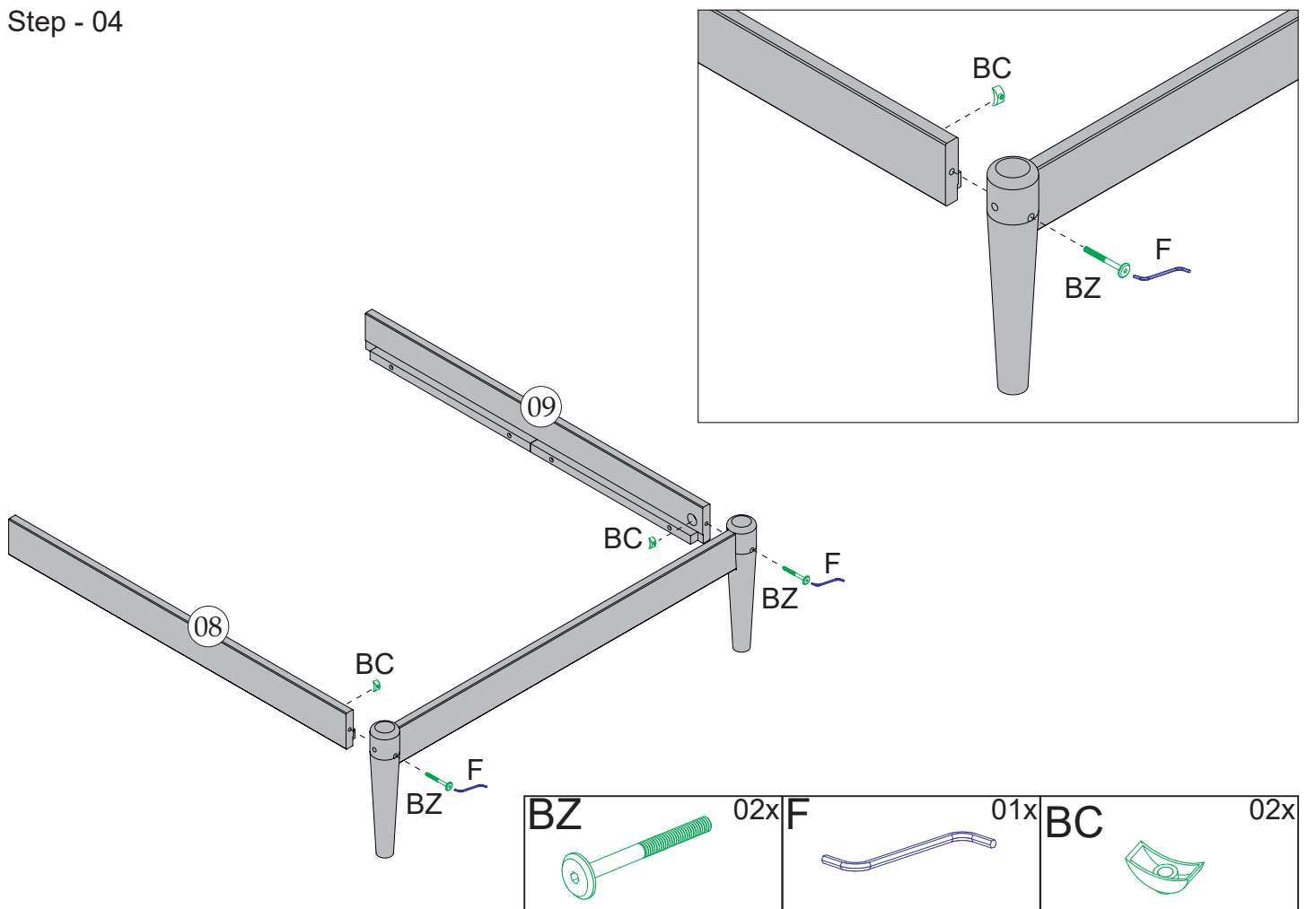


BZ		02x	F		01x	BC		02x
-----------	---	-----	----------	--	-----	-----------	---	-----

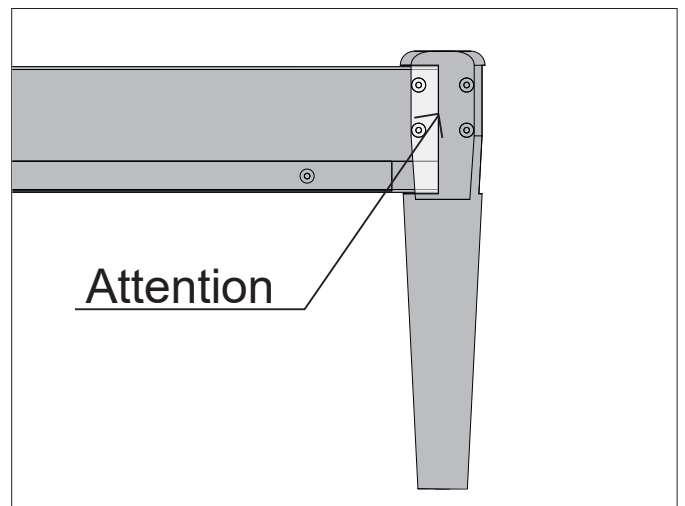
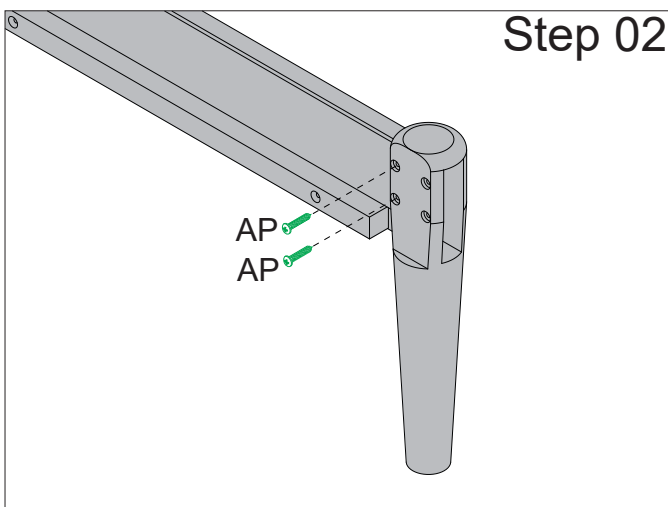
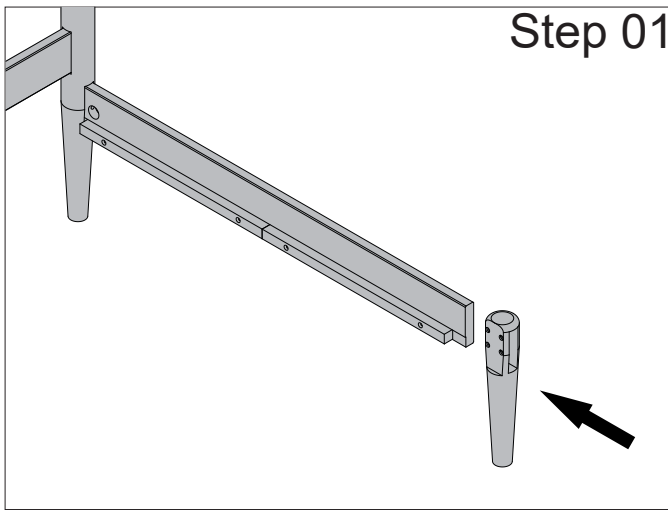
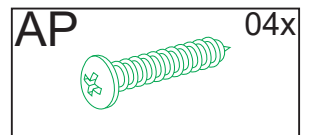
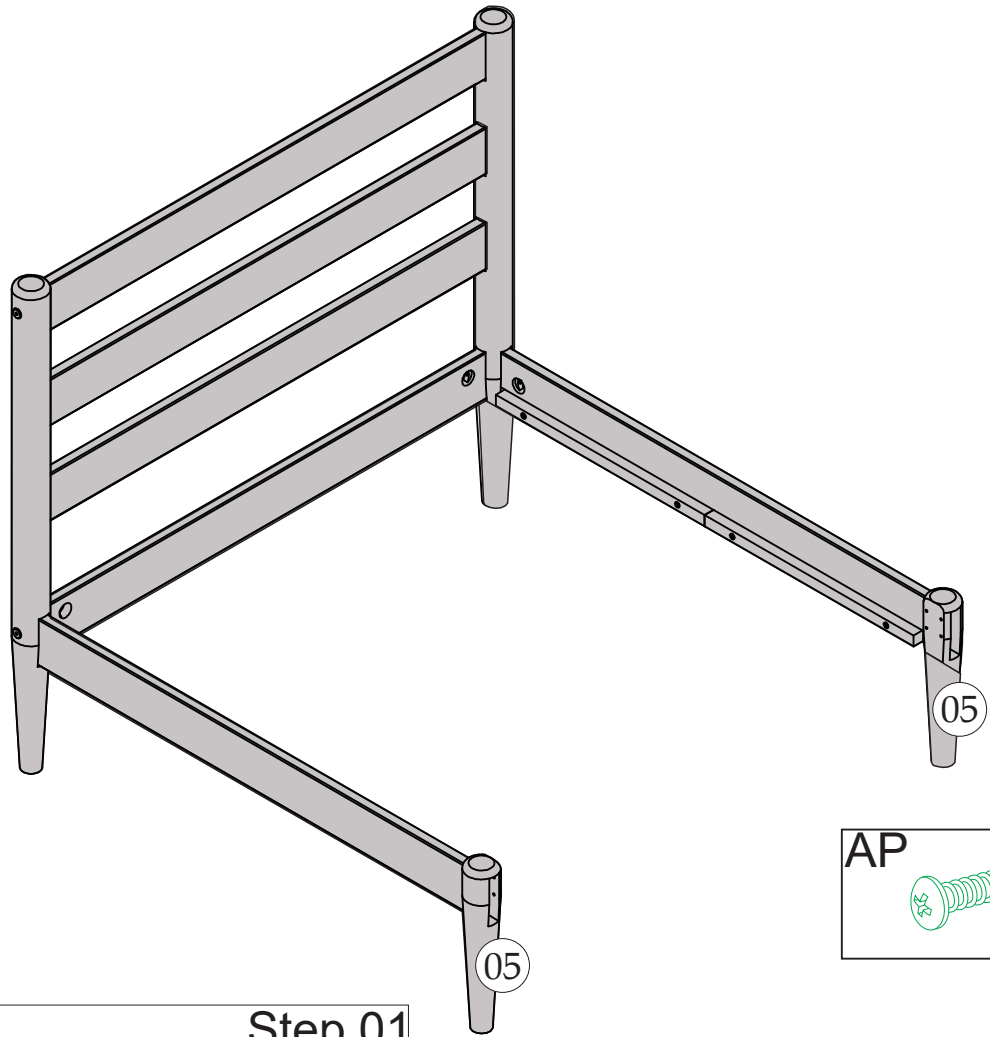
Step - 03



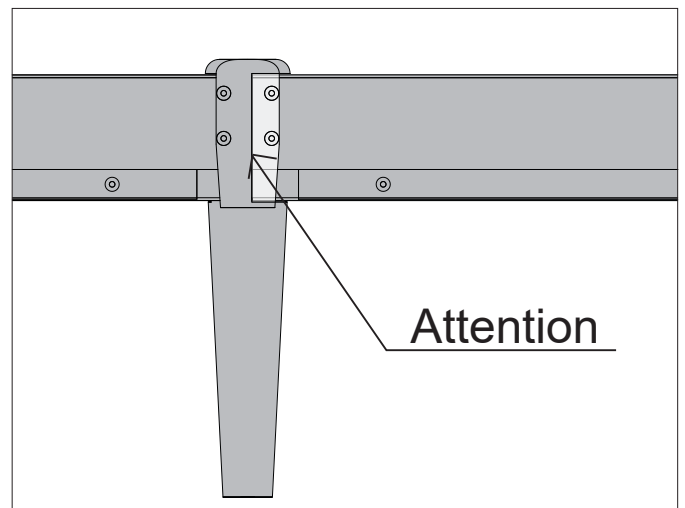
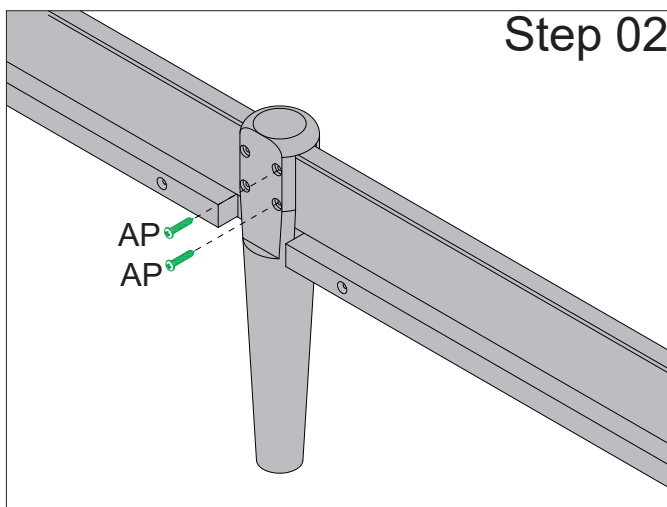
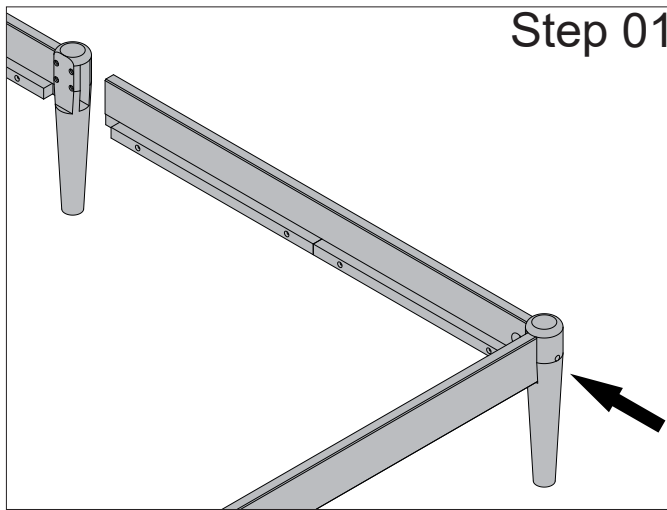
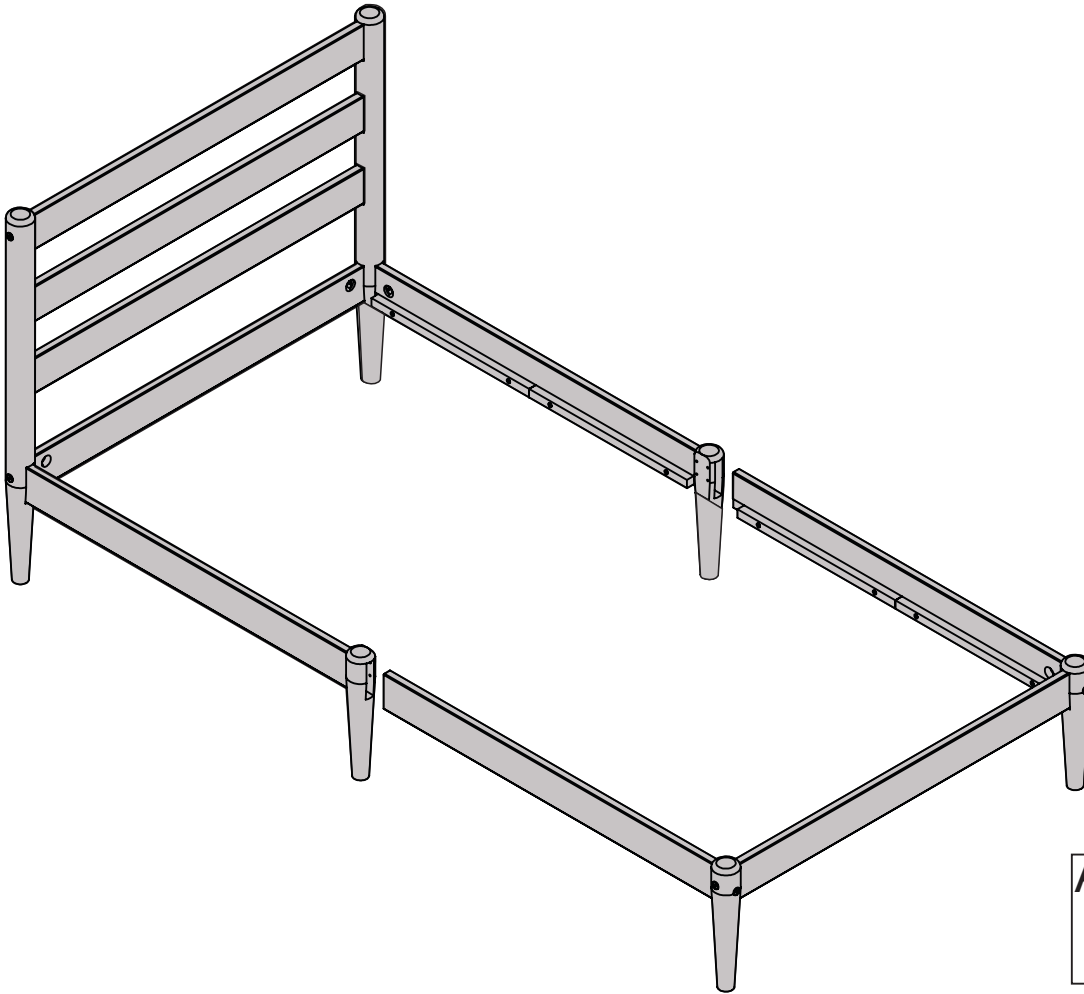
Step - 04



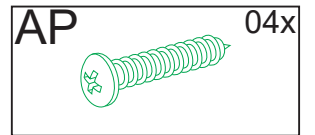
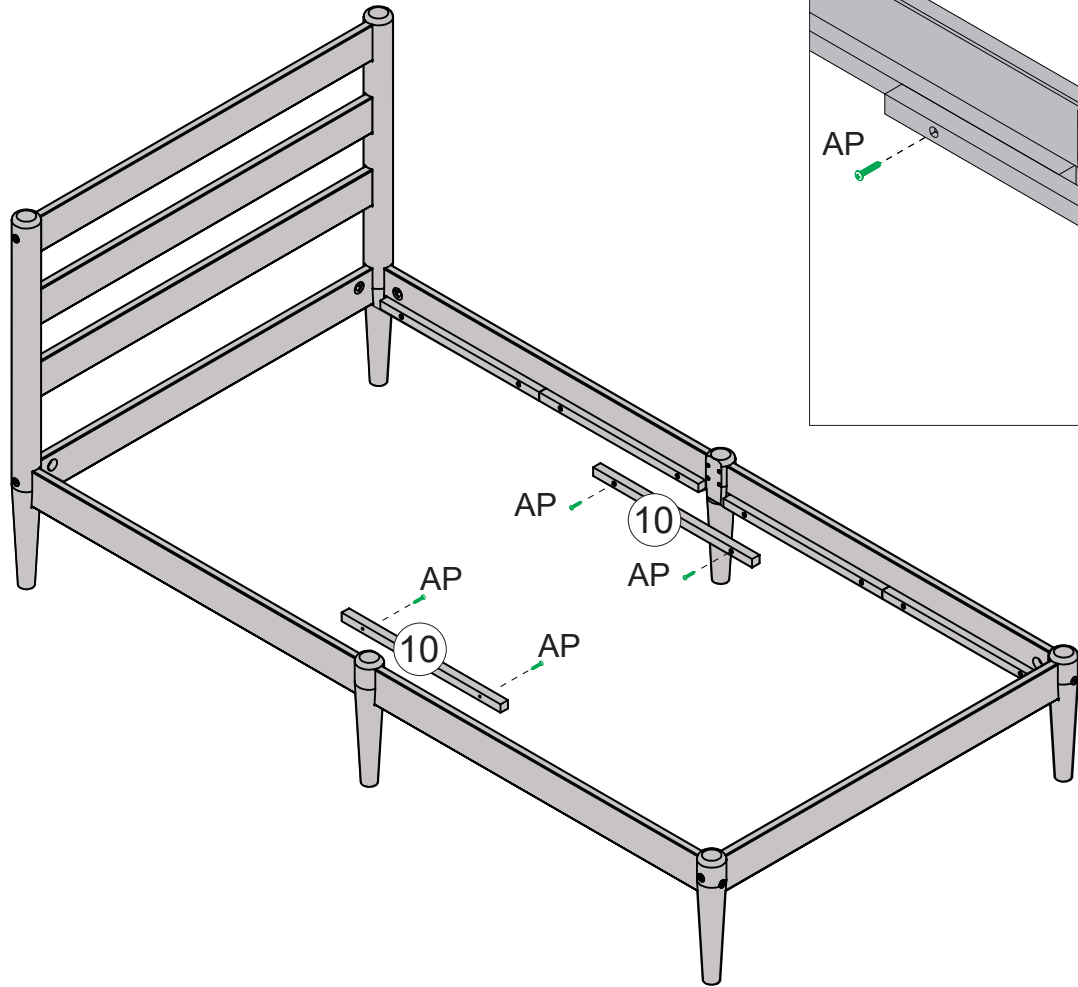
Step - 05



Step - 06



Step - 07



Step - 08

Before you screw in the slats, apply pressure to center of cross beams (part. No. 08/09) to ensure slats (part. No. 11) fit evenly between cross beams.

