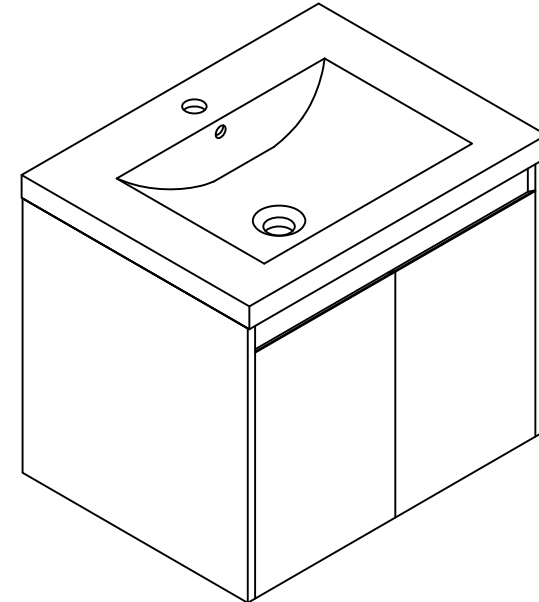


THANKS FOR WATCHING

Your feedback is invaluable to us and we would love to hear about your experience. Please take the time to leave us a review.



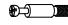







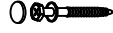


Thank you for shopping with us!

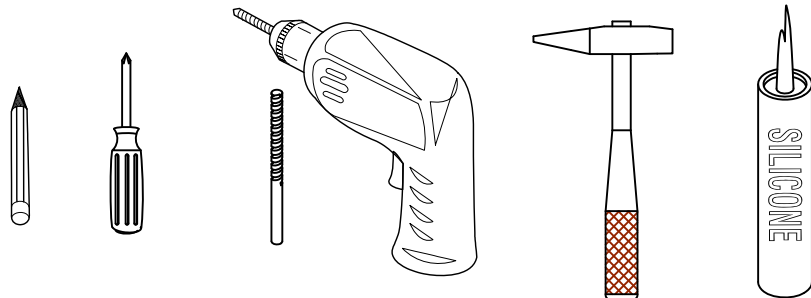
We encourage you to take a few minutes to go through this booklet. It contains important information on installation and care tips to keep your furniture looking as good as new.

Item NO.:BV B120 A24

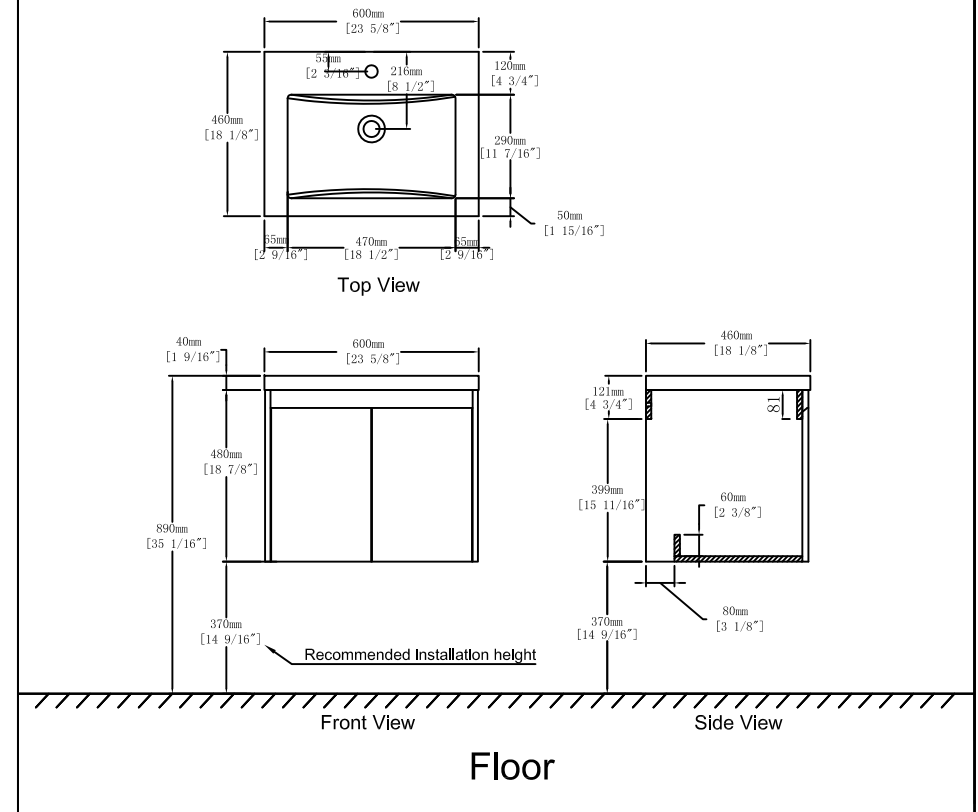
Hardware

NO.	Draw	QTY	NO.	Draw	QTY
A	 Screws Ø4x14mm	44	G	 Bracket (53x70x44mm)	2
B	 Two-in-one connector	17	H	 Bracket (19x19x35mm)	2
C	 Two-in-one connector	17	I	 Hinges(Internal hiding)	4
D	 Wood plug	4	J	 Anti-collision gasket	4
E	 Plastic anchor(Ø10mm)	2	K	 Screwdriver	1
F	 Screws for fix on the wall	2			

Recommended tools



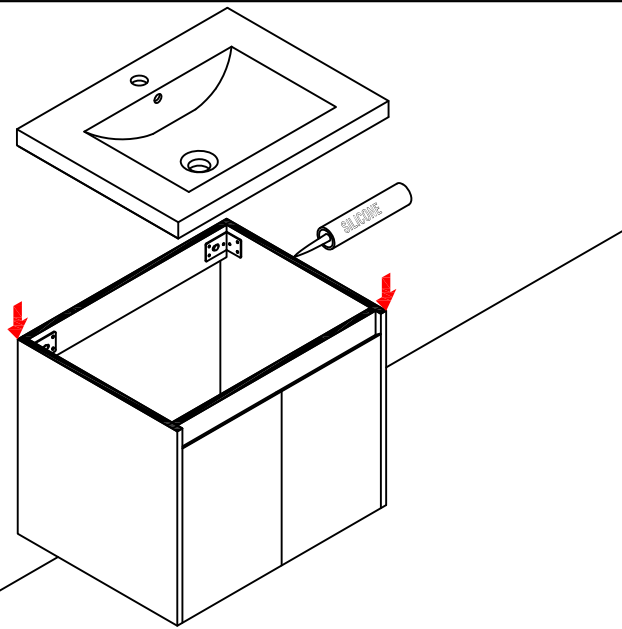
Dimensions



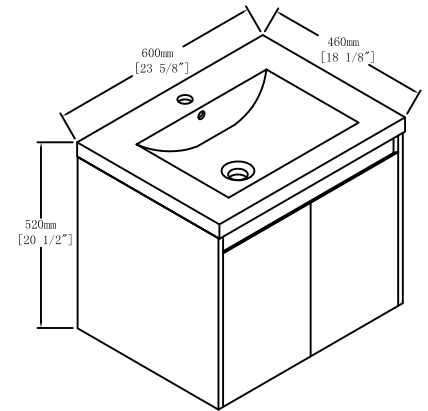
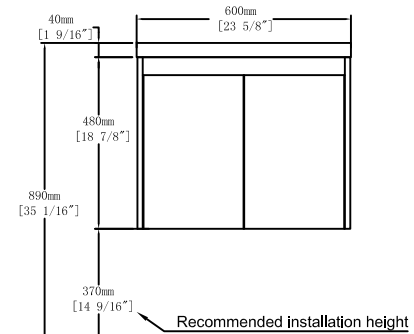
CARE CLEANING AND MAINTENANCE

1. Dust regularly with a soft , dry cloth.
2. Avoid the use of all chemicals household cleaners, abrasives, or cleaners that contain lemon, vinegar, or other acids that may damage the finish.
3. Excessive exposure to sunlight and extreme changes in temperature and moisture can damage wood furniture.
4. The sink is fragile, please pay attention to maintaining its appearance.
5. Do not place hot appliances, such as curling irons and hot hair dryers directly on the countertop. Wipe spills immediately.

Step 13

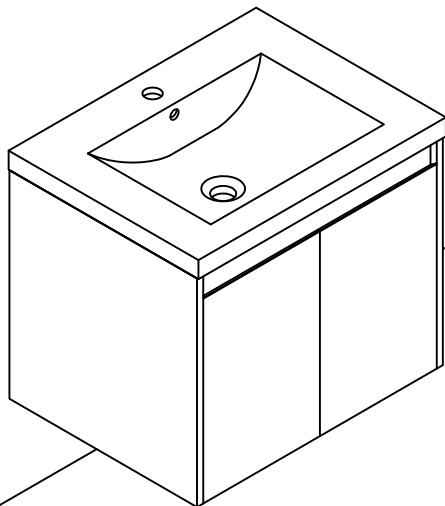


Dimensions

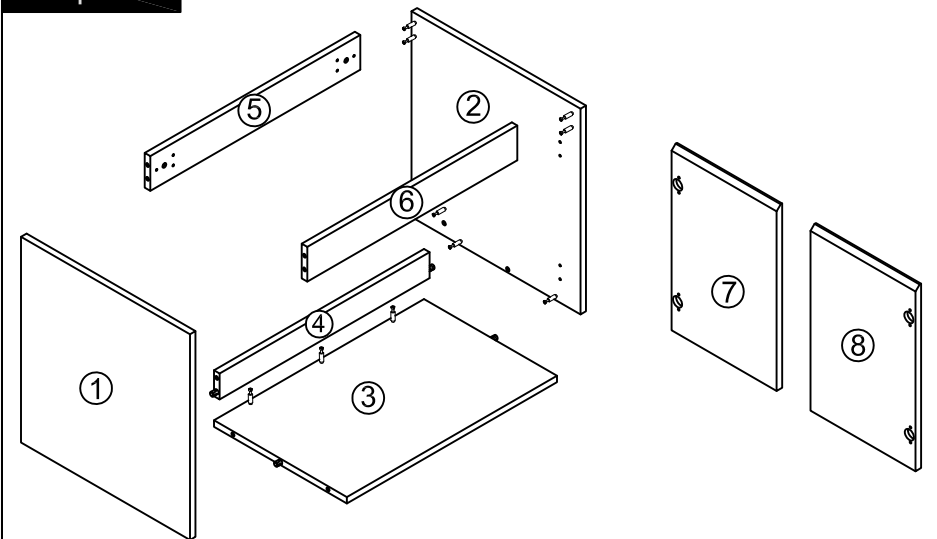


Floor

Finished



Components



Step 1

Notes: Screw installation depth as shown

Attention: Cam lock arrow point to the steel rod.

- Screw x3
- B
- Nut x3
- C
- Tool K

Step 2

Note: The D parts are used for these two holes

first step second step third step

- Screw x3
- B
- Nut x3
- D x2
- Tool K

Step 11

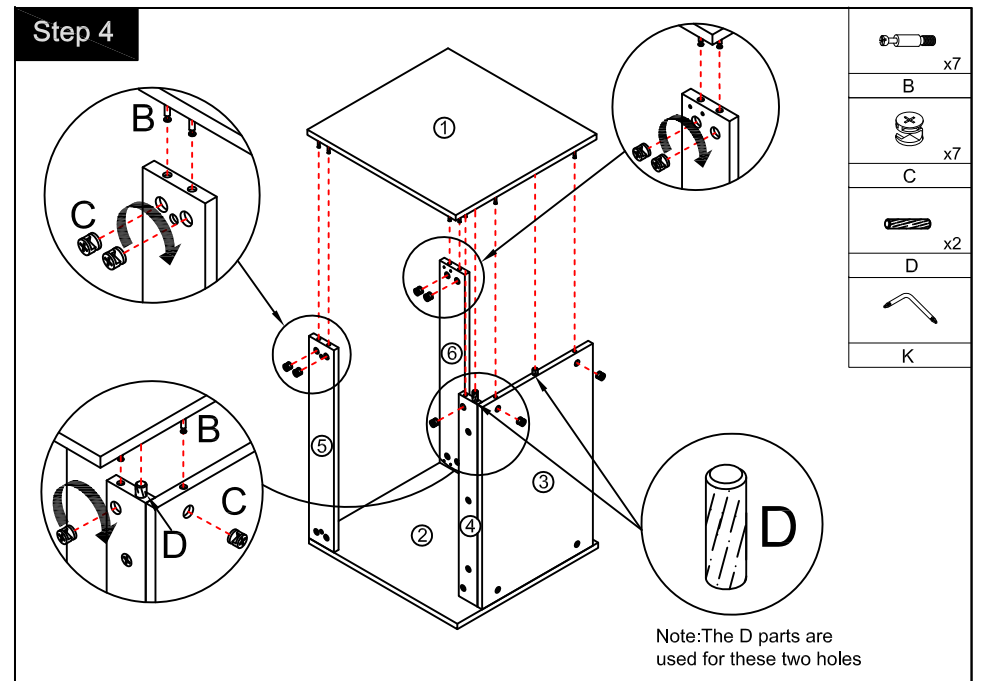
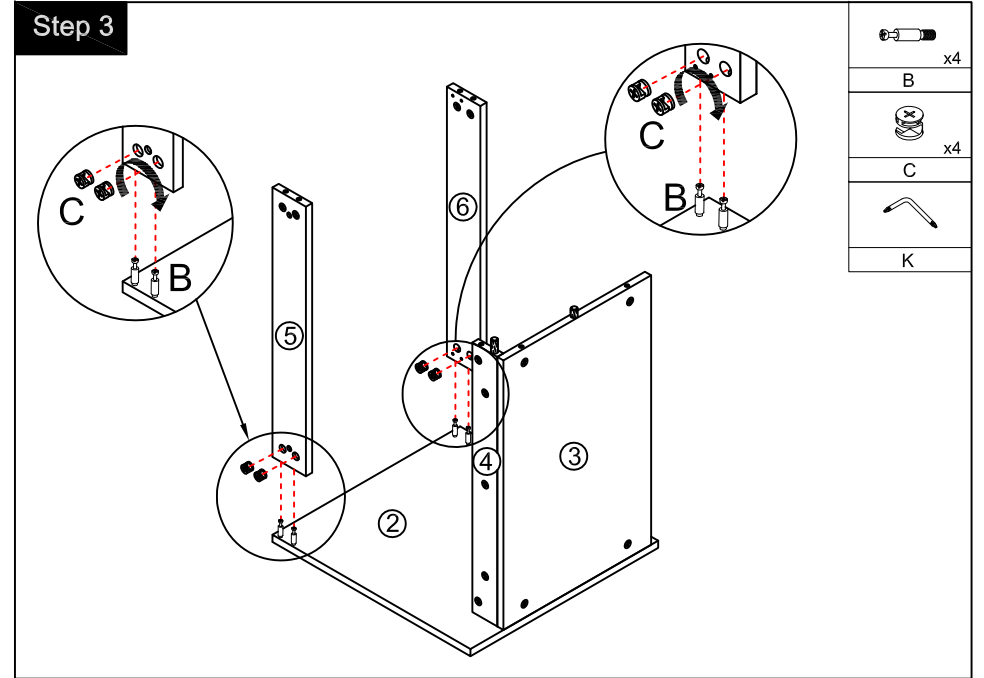
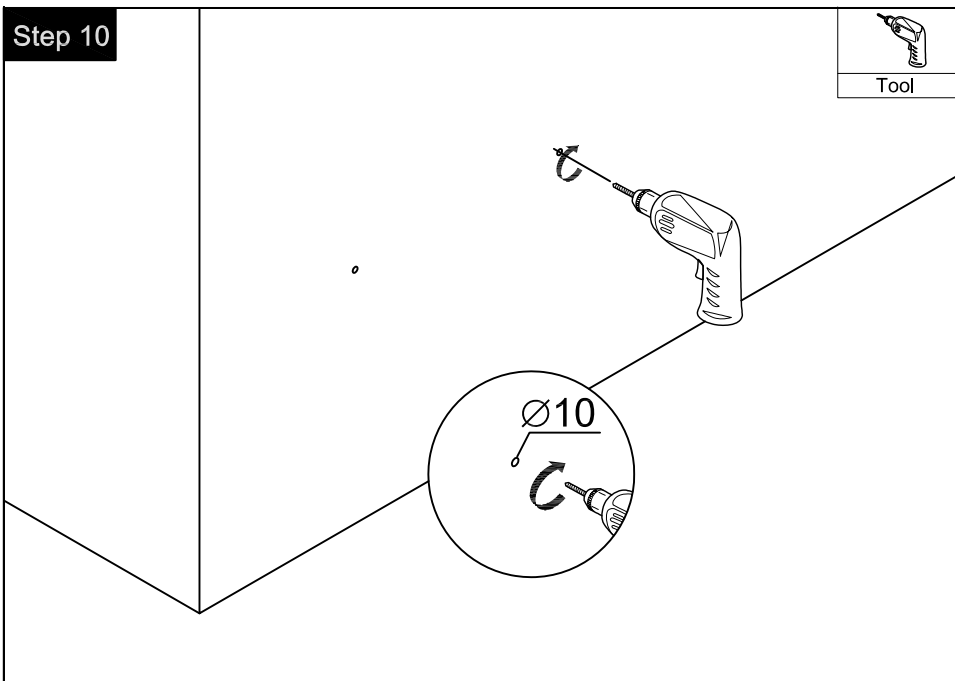
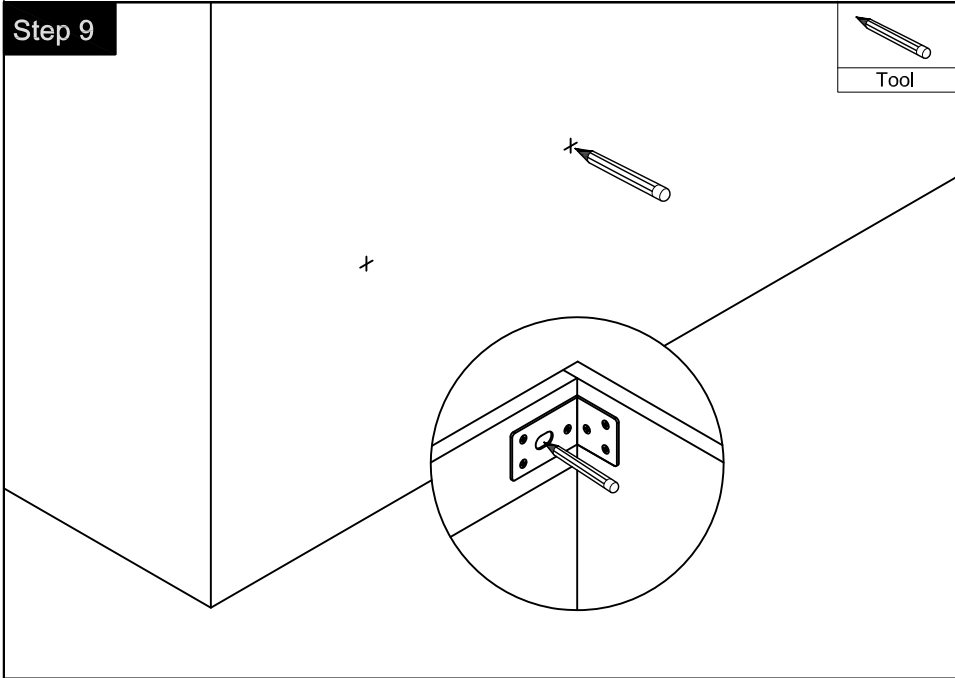
Attention: Cam lock arrow point to the steel rod.

- Screw x2
- E
- Tool

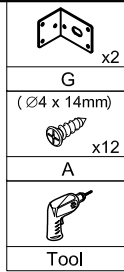
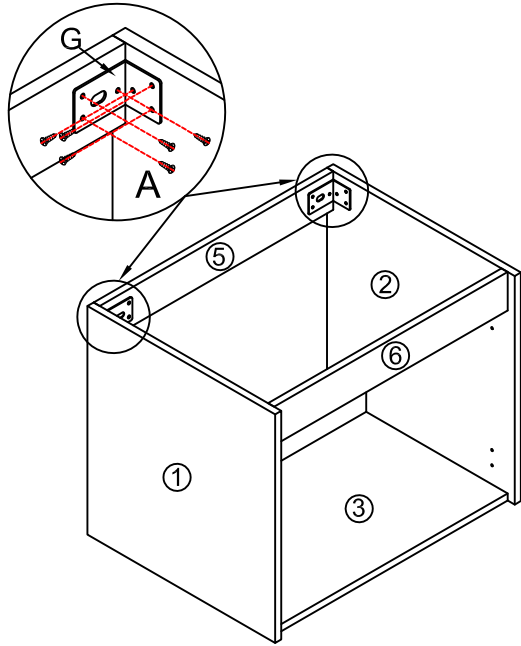
Step 12

Attention: Cam lock arrow point to the steel rod.

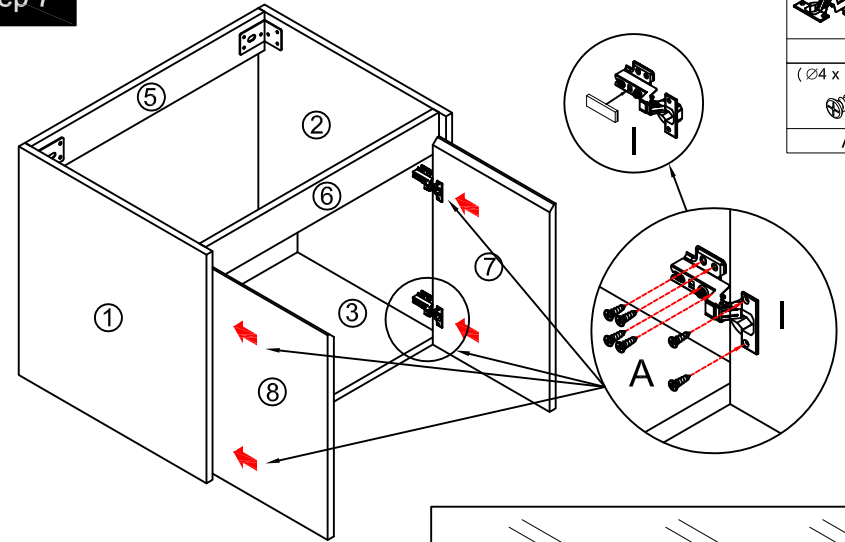
- Screw x2
- F
- Tool



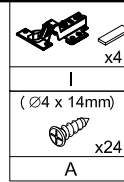
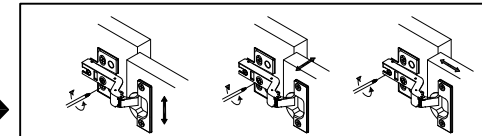
Step 5



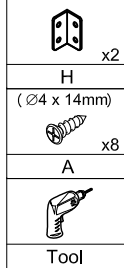
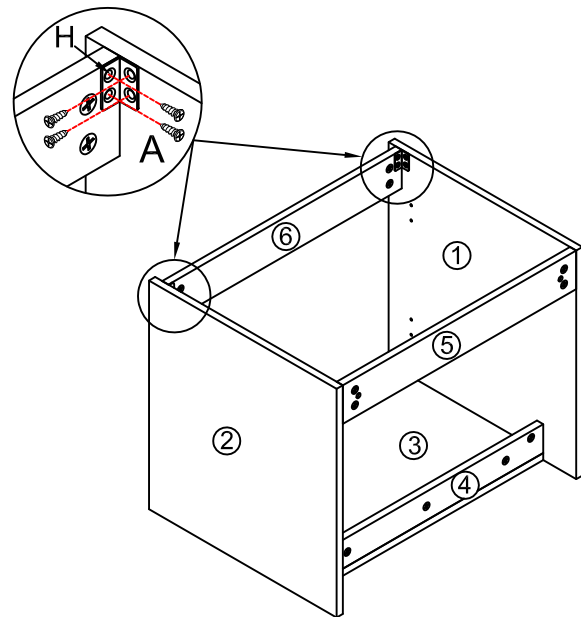
Step 7



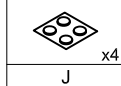
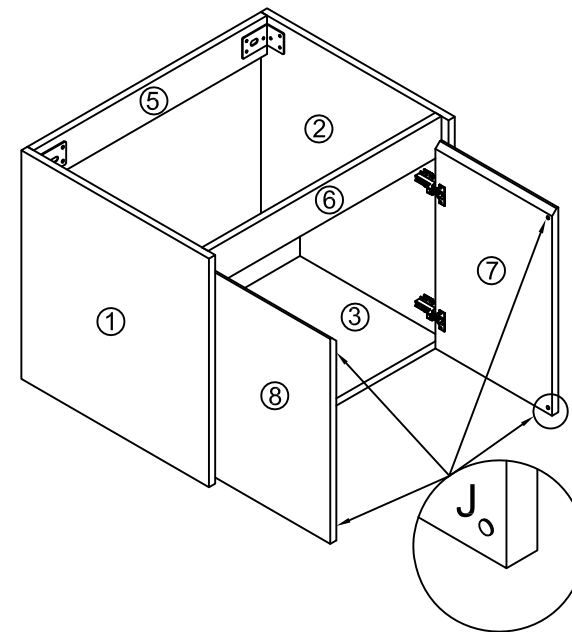
You can adjust the doors by tightening or loosening the screws on the hinge. →



Step 6

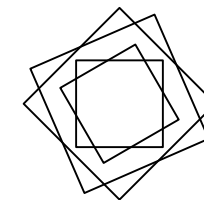
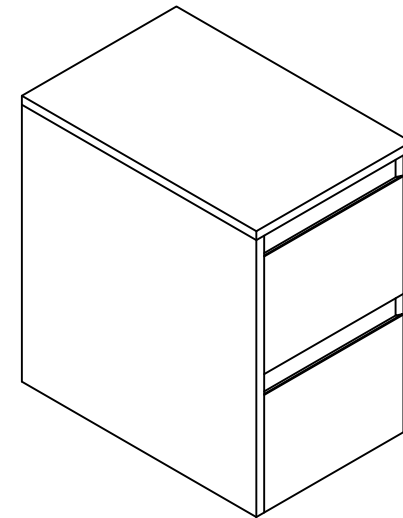


Step 8



THANKS FOR WATCHING

Your feedback is invaluable to us and we would love to hear about your experience. Please take the time to leave us a review.


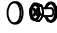
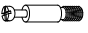


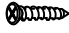



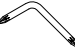


Thank you for shopping with us!

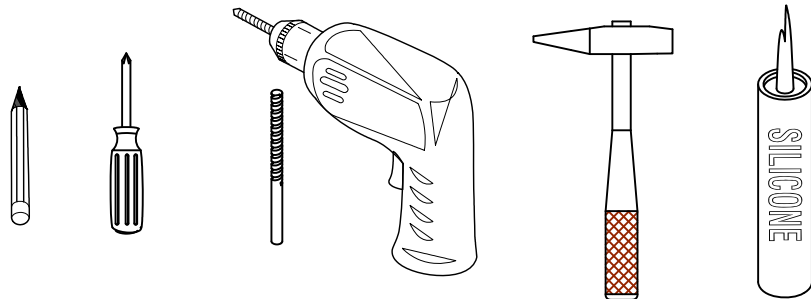
We encourage you to take a few minutes to go through this booklet. It contains important information on installation and care tips to keep your furniture looking as good as new.

Item NO.:BV B120 C12B

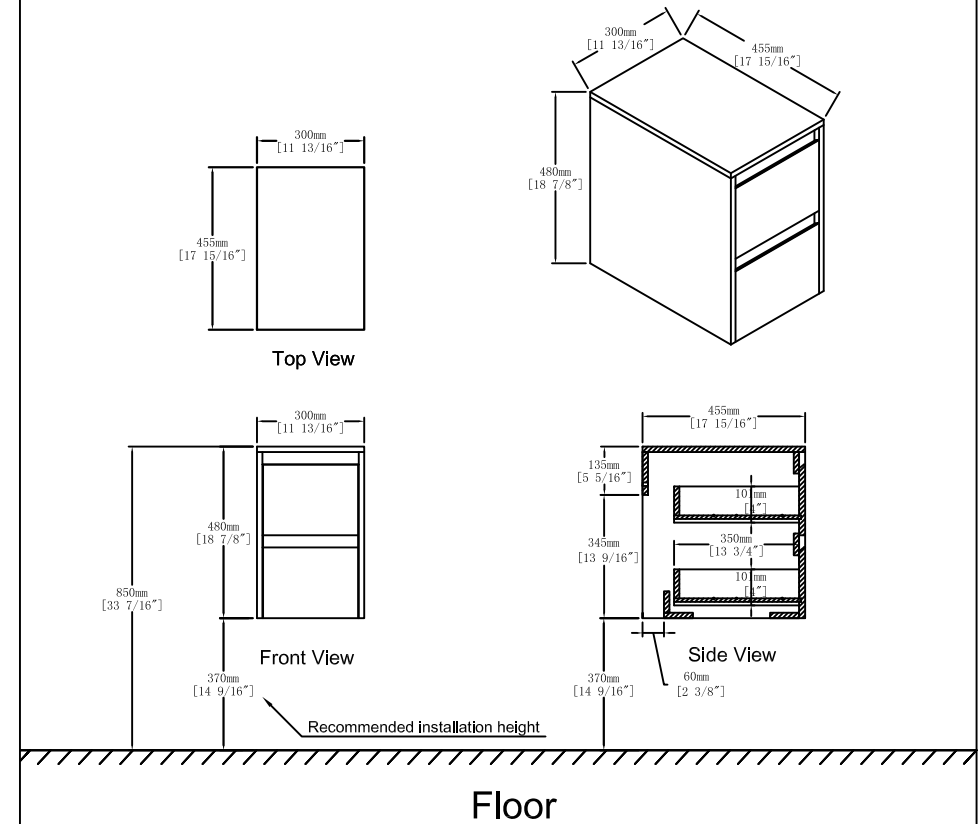
Hardware

NO.	Draw	QTY	NO.	Draw	QTY
A	 Screws Ø4x14mm	20	F	 Screws for fix on the wall	2
B	 Two-in-one connector	44	G	 Track	2
C	 Two-in-one connector	44	H	 Screws Ø4x20mm	4
D	 Wood plug	6	I	 Anti-collision gasket	8
E	 Plastic anchor(Ø10mm)	2	J	 Screwdriver	1

Recommended tools



Dimensions



CARE CLEANING AND MAINTENANCE

1. Dust regularly with a soft , dry cloth.
2. Avoid the use of all chemicals household cleaners, abrasives, or cleaners that contain lemon, vinegar, or other acids that may damage the finish.
3. Excessive exposure to sunlight and extreme changes in temperature and moisture can damage wood furniture.
4. Do not place hot appliances, such as curling irons and hot hair dryers directly on the countertop. Wipe spills immediately.

Step 14

(Ø4 x 14mm)
A x8

Tool

First step

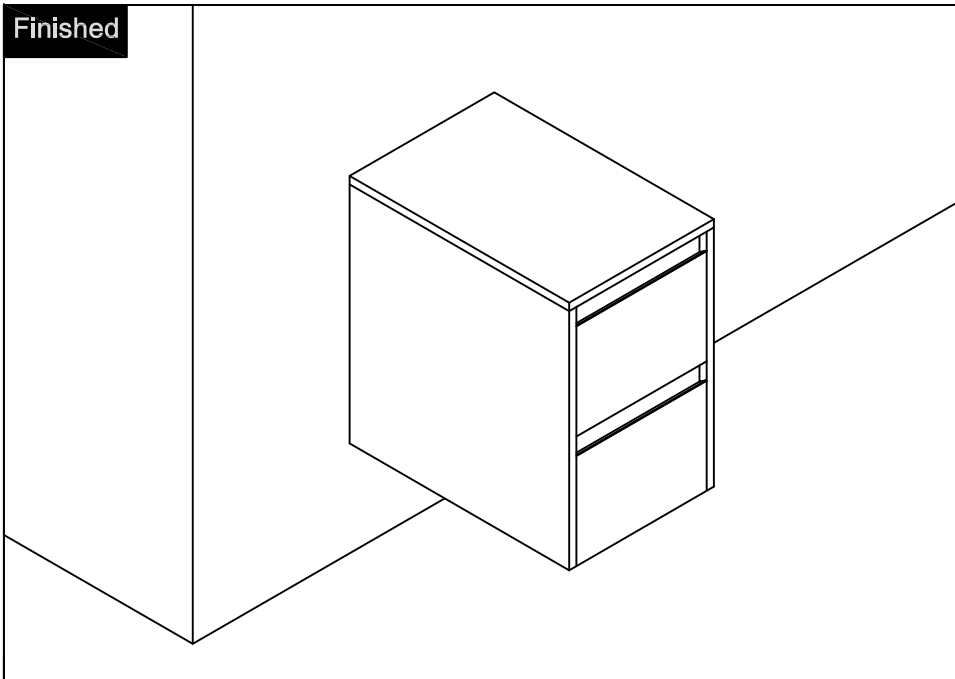
Second step: Tuck the rear holes.

Third step: The bottom of the rail is fixed with screw A.

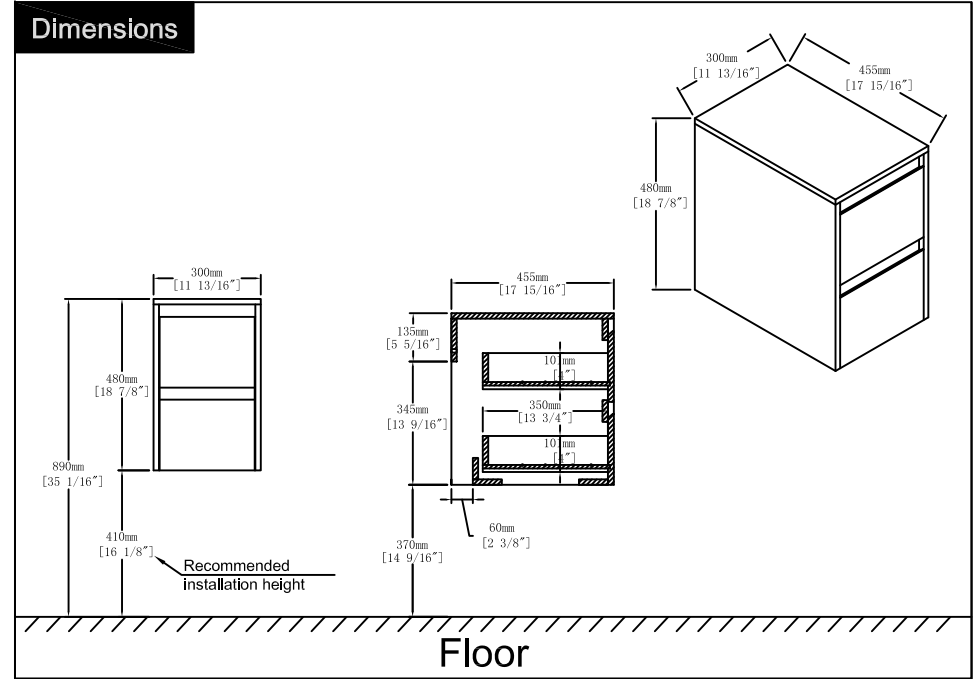
Note: The rails adjust their height 3mm.

3mm [1/8"]

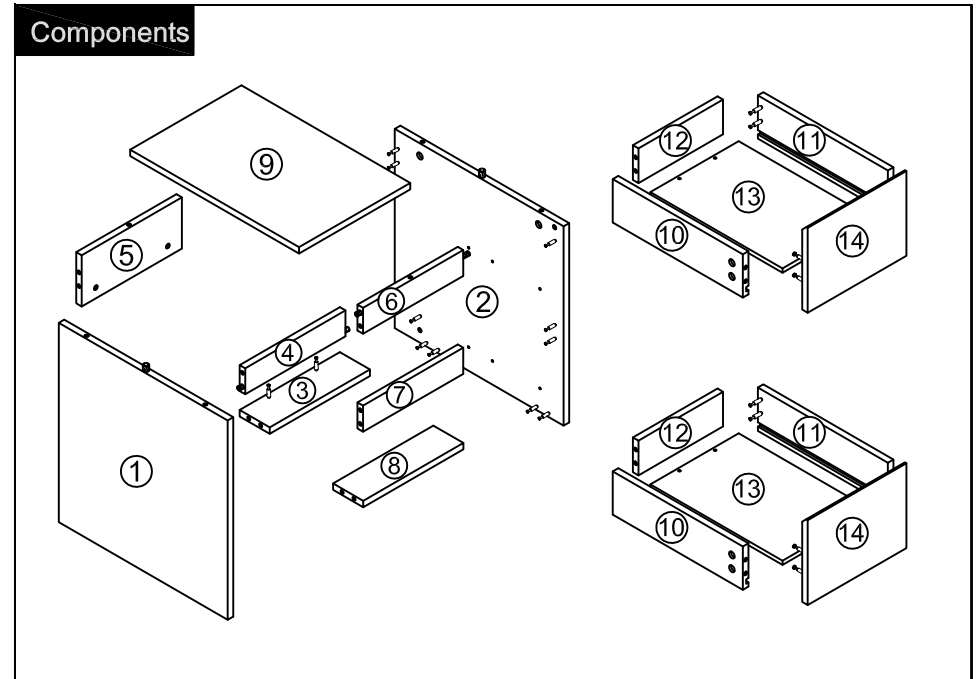
Finished



Dimensions

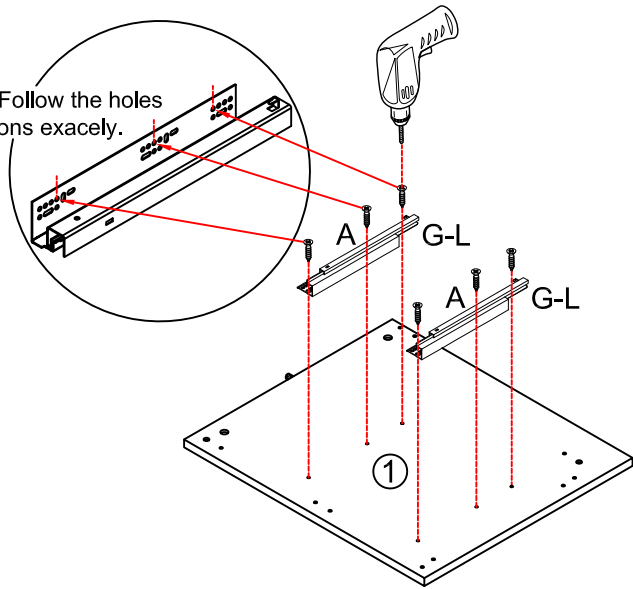


Components

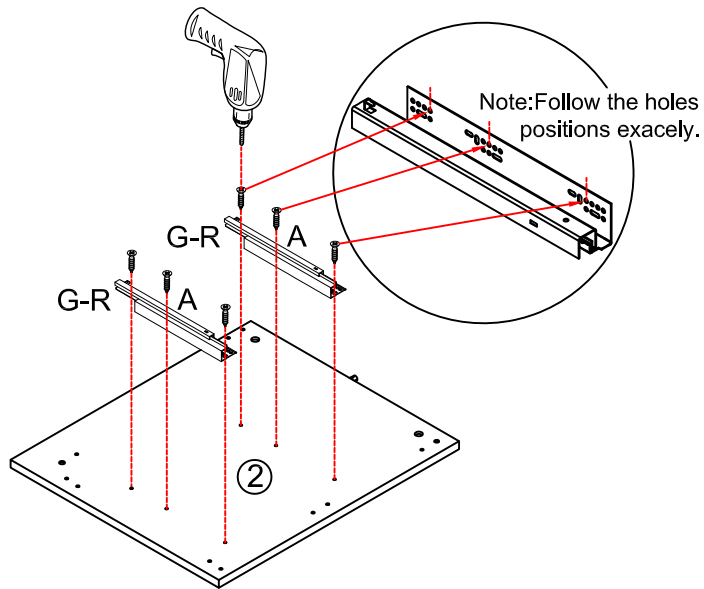


Step 1

Note: Follow the holes positions exactly.

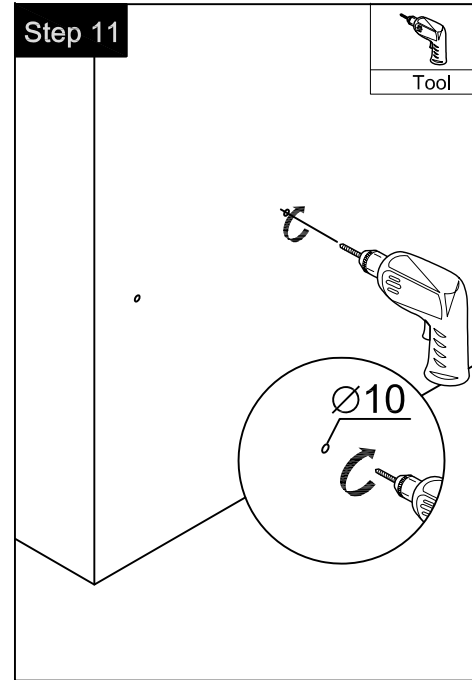


	G-R
	G-L
	x2
	G
	($\varnothing 4 \times 14\text{mm}$)
	A
	x12
	Tool



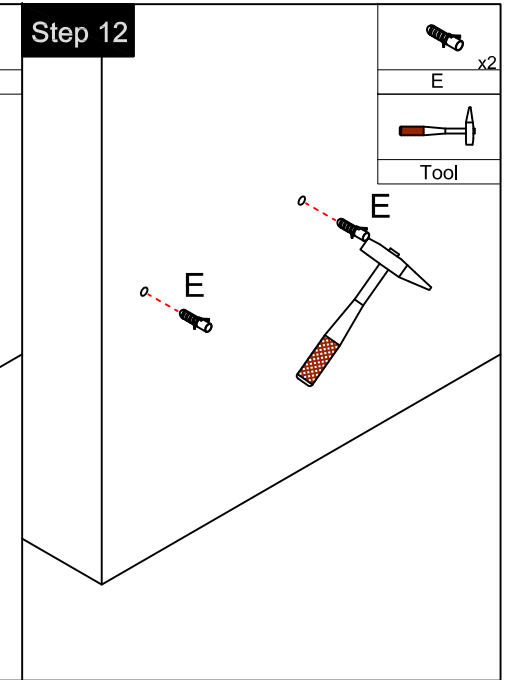
Note: Follow the holes positions exactly.

Step 11



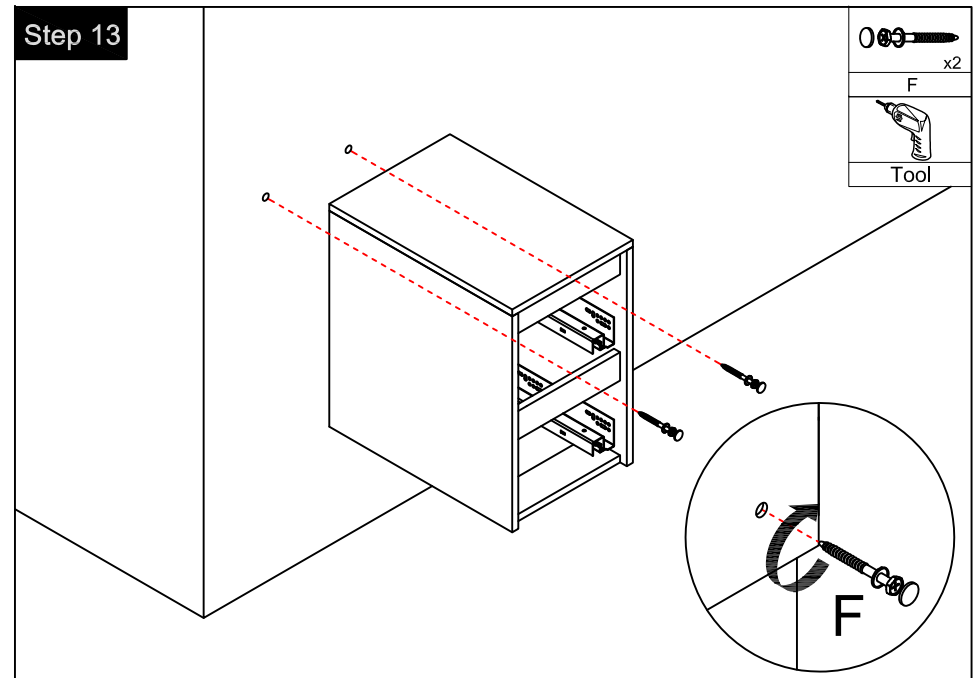
	Tool
--	------

Step 12



	E
	x2
	Tool

Step 13



	F
	x2
	Tool

Step 8

($\varnothing 4 \times 20\text{mm}$)
H x4
Tool

($\varnothing 4 \times 20\text{mm}$)
H

x2

Step 2

x2
B
x2
C
J

Attention: Cam lock arrow point to the steel rod.

Notes: Screw installation depth as shown

Step 9

x8
I
Tool

x2

Step 10

K
Tool

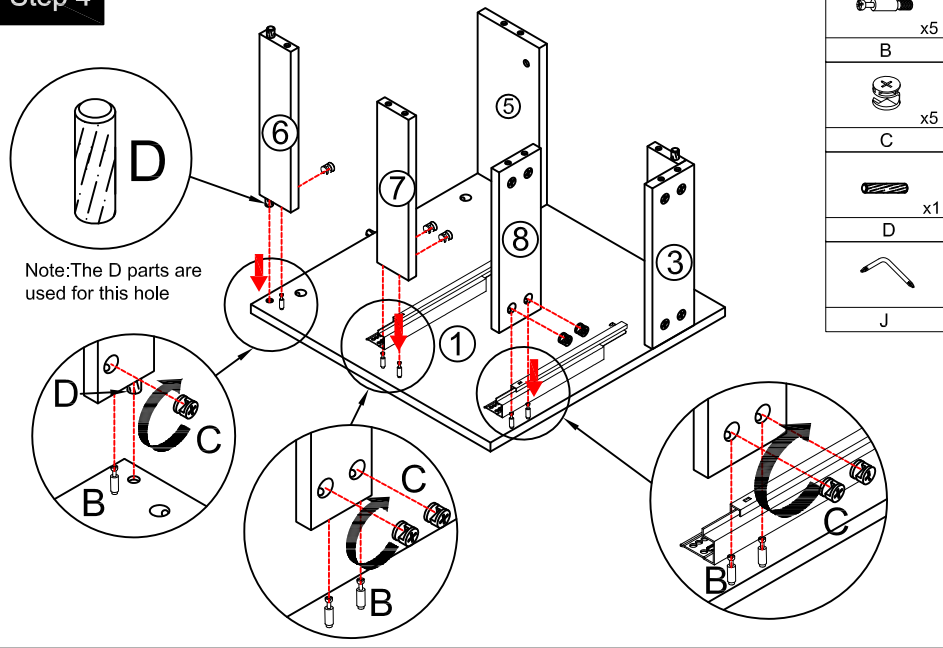
Step 3

x5
B
x5
C
x1
D
J

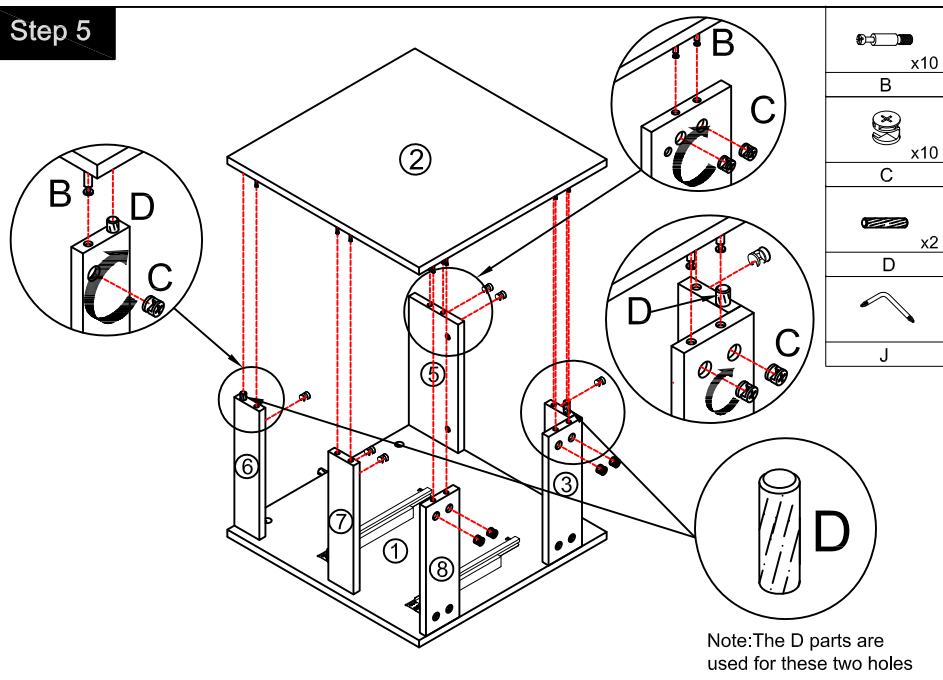
Note: The D parts are used for this hole

first step second step third step

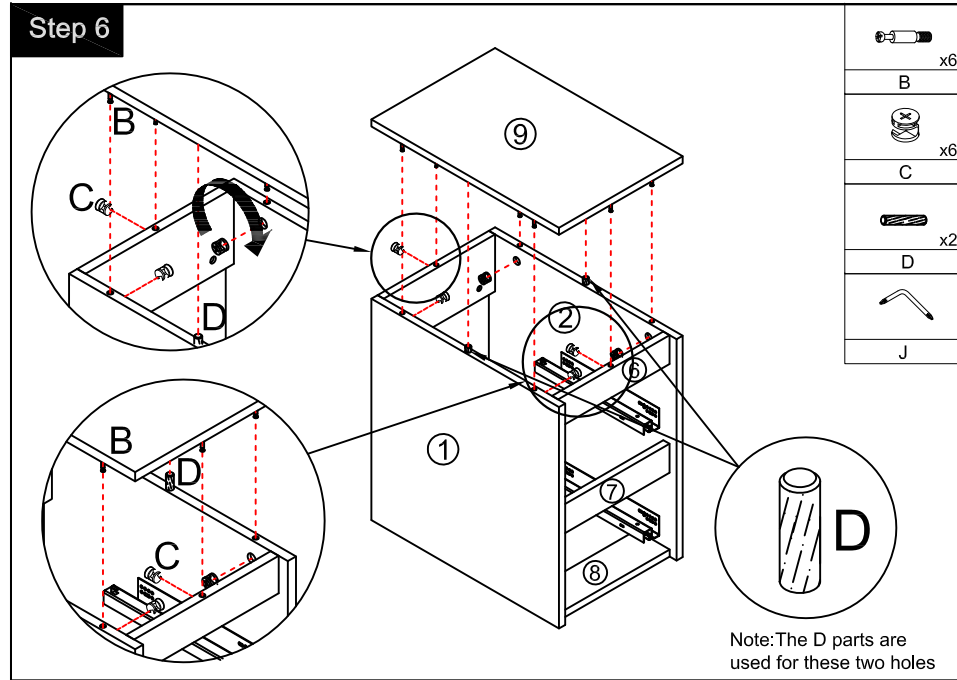
Step 4



Step 5



Step 6



Step 7

