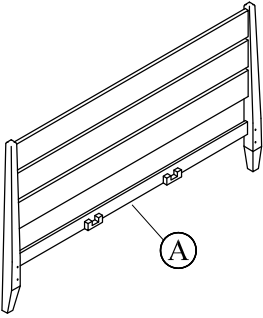


# KING BED

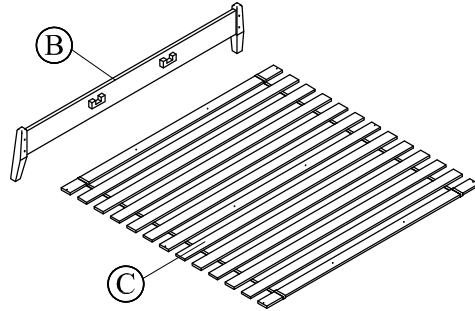
## ASSEMBLY INSTRUCTIONS

### PARTS AND FITTING PACKAGING DETAIL

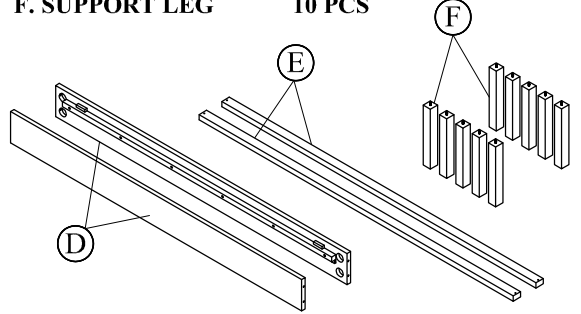
**BOX #1**  
**A. HEADBOARD** 1 PC



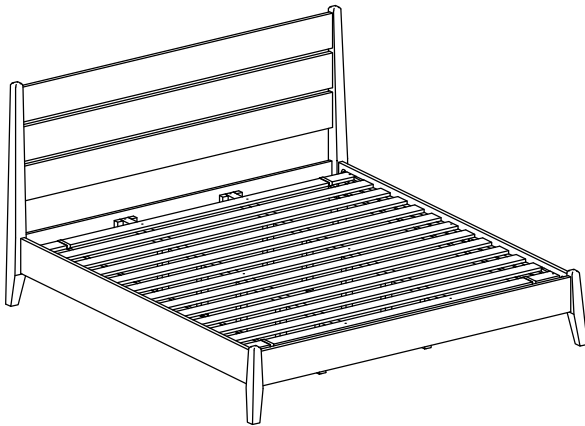
**BOX #2**  
**B. FOOTBOARD** 1 PC  
**C. SLAT ROLL** 1 SET



**BOX #3**  
**D. SIDE RAILS** 2 PCS  
**E. CENTER SUPPORT** 2 PCS  
**F. SUPPORT LEG** 10 PCS

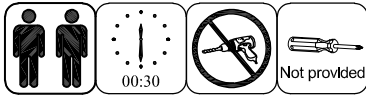


**FULLY ASSEMBLED**

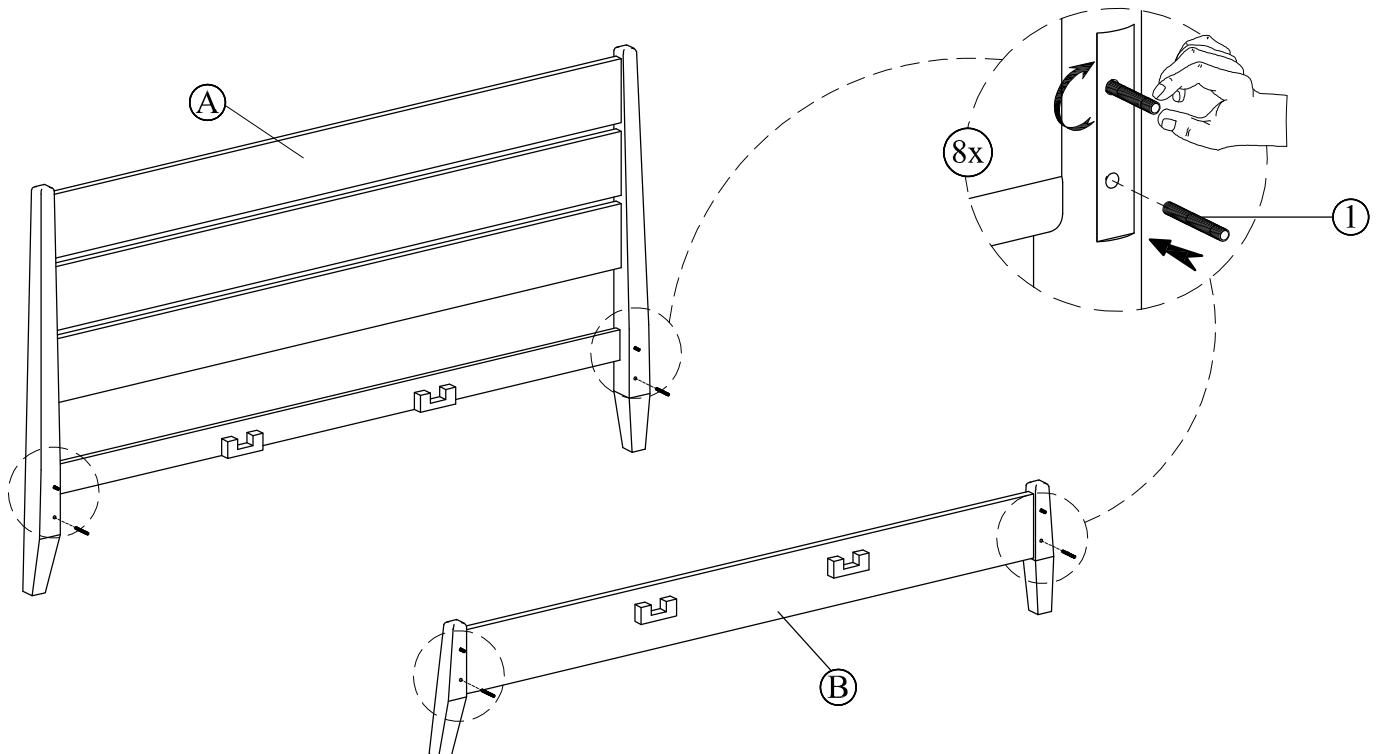


**HARDWARE KIT PACKED IN BOX #2**

NO.	DESCRIPTION	IMAGE	QTY
1	THREADED BOLT (8x60mm)		8 PCS
2	ARC WASHER (2x14x26mm)		8 PCS
3	LOCK WASHER (M10)		8 PCS
4	HEX NUT (M8)		8 PCS
5	WRENCH		1 PC
6	WOOD SCREW (4x35mm)		4 PCS
7	WOOD SCREW (4x25mm)		12 PCS
8	ALLEN KEY		1 PC



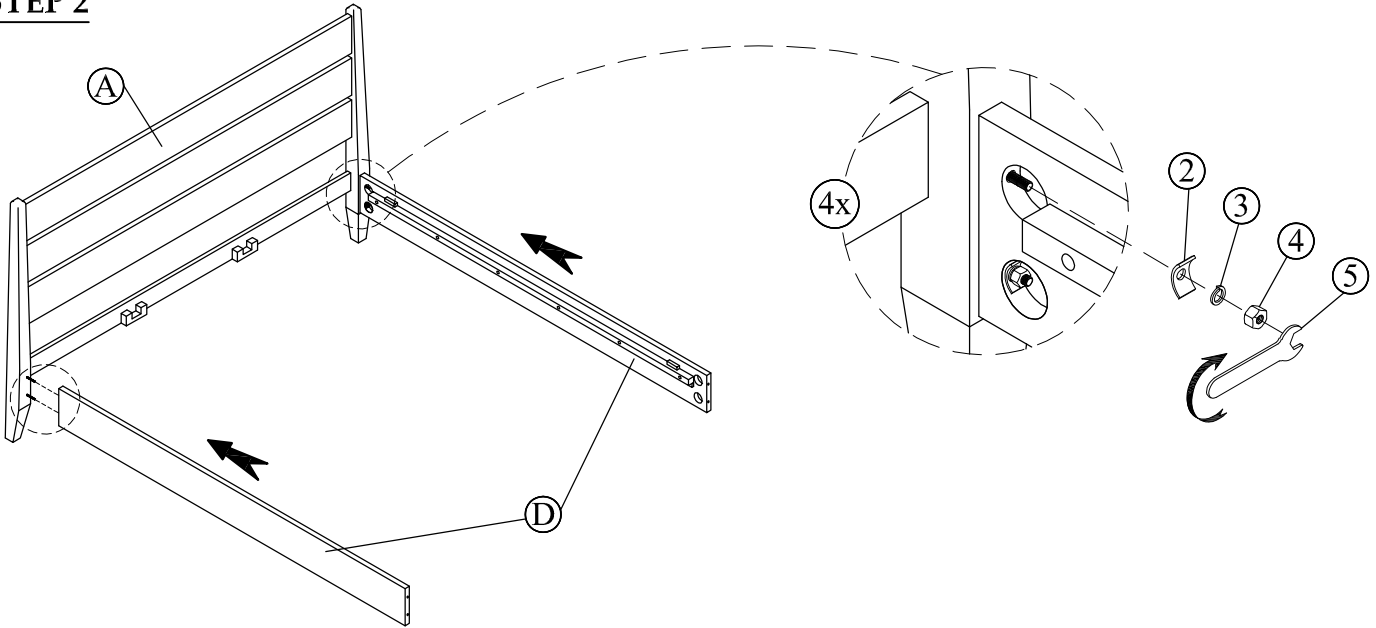
### STEP 1



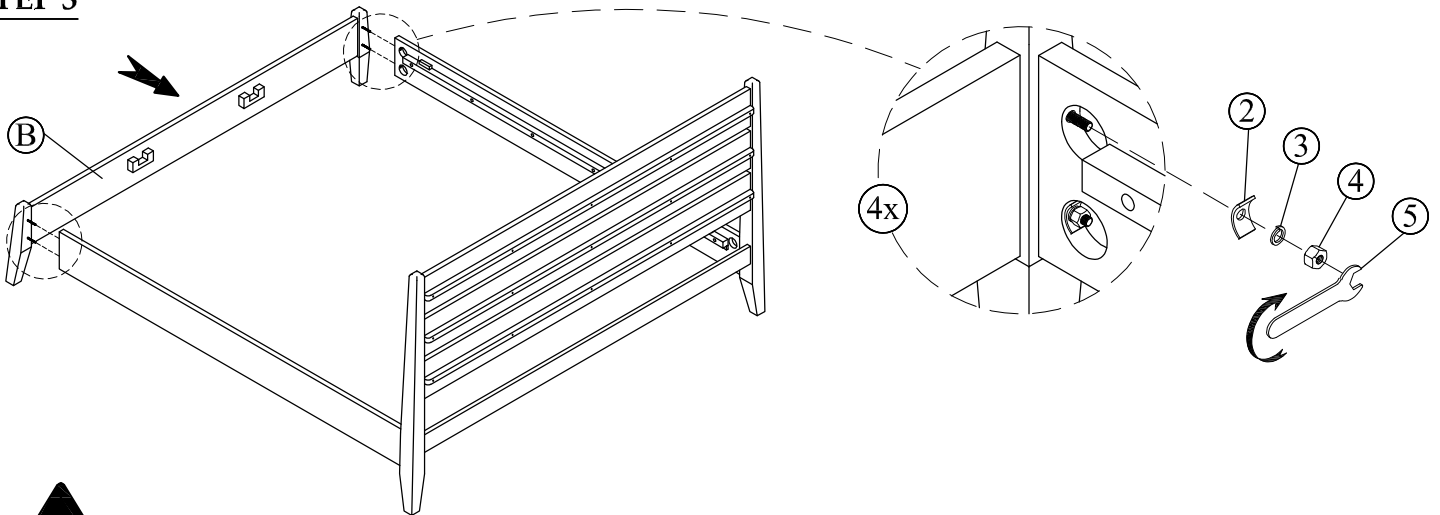
# KING BED

## ASSEMBLY INSTRUCTIONS

### STEP 2



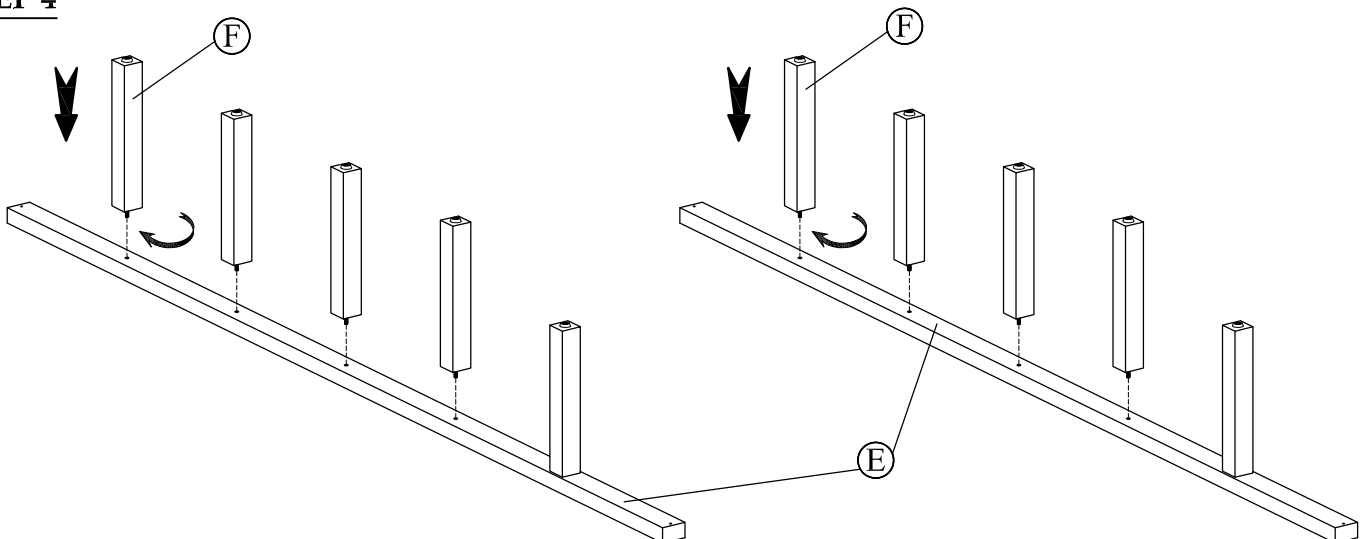
### STEP 3



### STOP

- IF USING BED WITH AN ADJUSTABLE MATTRESS BASE, SKIP STEPS 4, 5, 6 & 7 AND REFERENCE APPENDIX A: ADJUSTABLE MATTRESS BASE ASSEMBLY SUPPLEMENT.
- IF USING BED FRAME WITH STANDARD BOX SPRING OR FOUNDATION, CONTINUE TO STEP 4

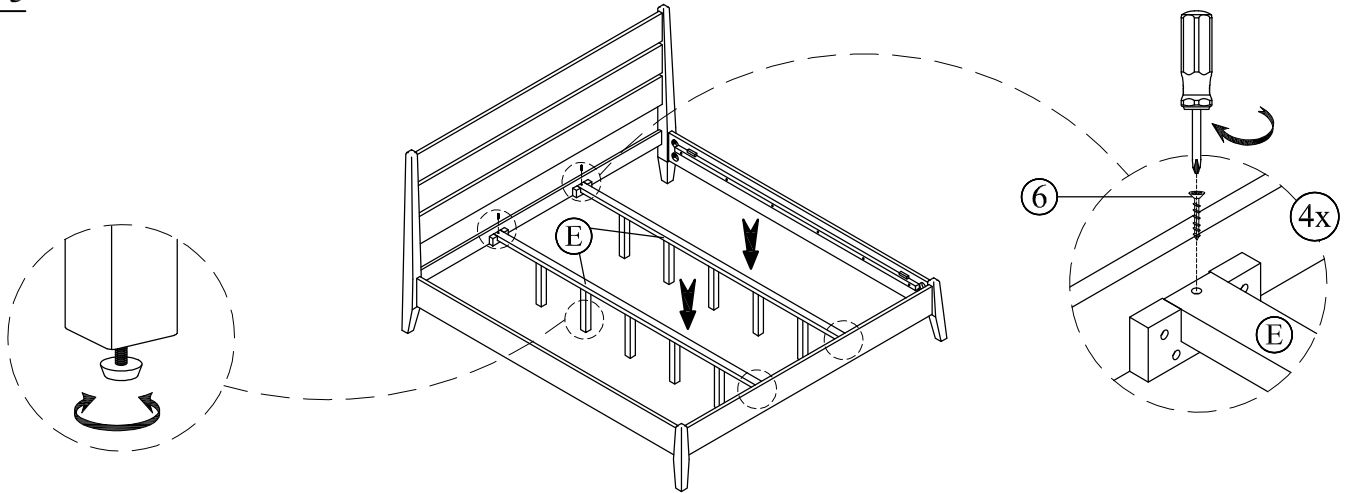
### STEP 4



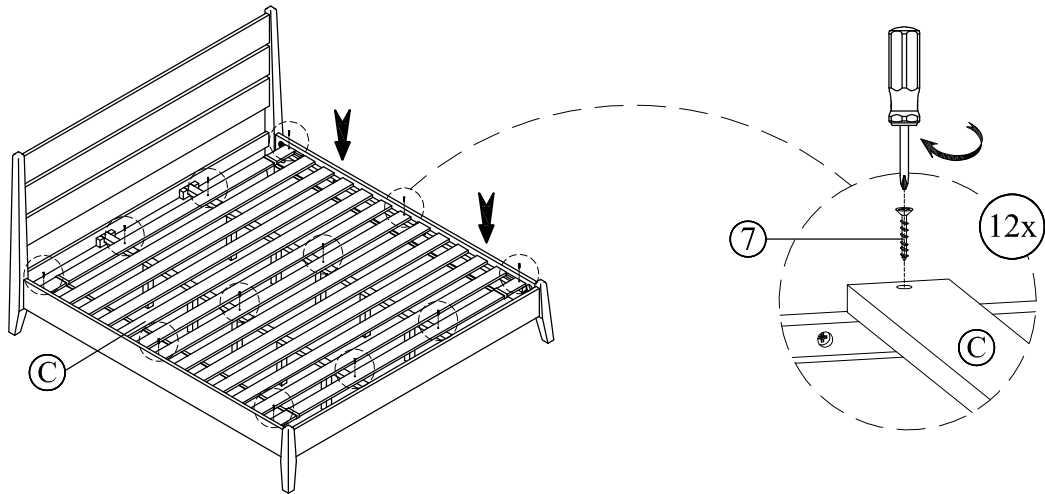
# KING BED

## ASSEMBLY INSTRUCTIONS

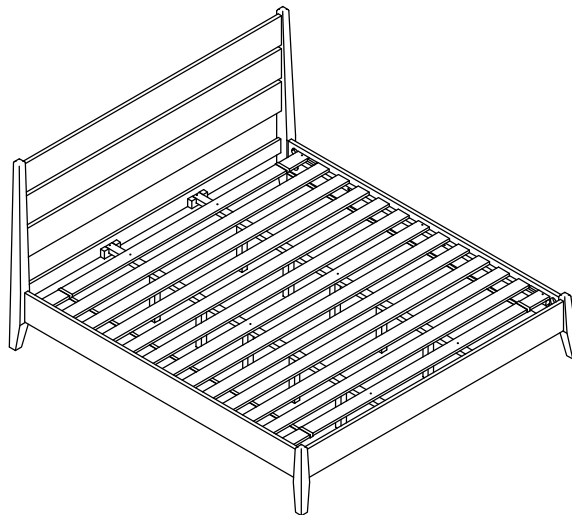
### STEP 5



### STEP 6



### STEP 7



ASSEMBLY COMPLETE

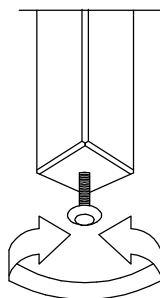
PAGE 3 OF 4

#### INSTRUCTIONS FOR ADJUSTING LEVELERS:

Position the bed in your space and locate the leveler under each leg support (F).

Turn the leveler counter-clockwise to extend and clockwise to retract it.

Adjust each leveler until each leg support is applying equal, upward pressure on the center slat.



#### MAINTENANCE INSTRUCTIONS:

- Periodically check all fittings and tighten if necessary, as they can loosen over time.
- Always remove box spring and mattress before moving the bed.
- Lift the bed when moving it. Dragging the bed can damage the center support.
- Readjust levelers after moving the bed.

# KING BED

## ASSEMBLY INSTRUCTIONS

AN ADJUSTABLE MATTRESS BASE IS A FREESTANDING MATTRESS SUPPORT THAT SITS WITHIN THE PERIMETER OF THE BED FRAME. IF USING THIS BED FRAME WITH A STANDARD BOX SPRING OR FOUNDATION THESE INSTRUCTIONS DO NOT APPLY.

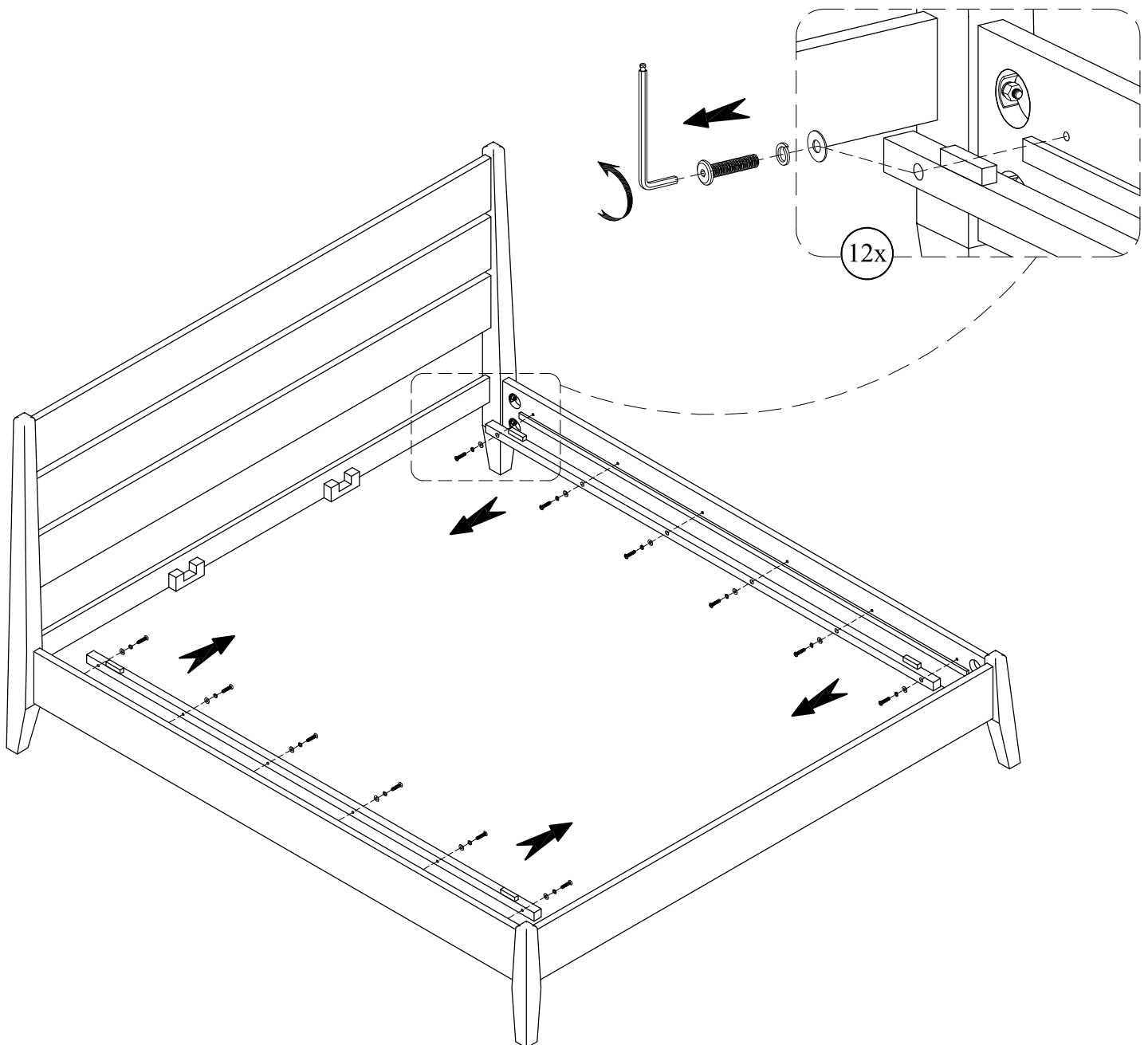
PRE-ASSEMBLED SIDE RAIL CLEATS OBSTRUCT ADJUSTABLE BASE INSTALLATION AND OPERATION. FOLLOW THESE INSTRUCTIONS TO REMOVE THEM.

THE FOLLOWING PARTS ARE NOT REQUIRED FOR ADJUSTABLE MATTRESS BASE INSTALLATION:

C. SLAT ROLL	: 1 SET	*WOOD SCREW (4x35mm)	: 4 PCS
E. CENTER SUPPORT	: 2 PCS	*WOOD SCREW (4x25mm)	: 12 PCS
F. SUPPORT LEG	: 10 PCS		

### STEP #1:

USE ALLEN KEY (8) TO UNSCREW ALLEN BOLTS AND REMOVE PRE-ASSEMBLED SIDE RAIL CLEATS.



NOTE: YOU MAY WISH TO RETAIN UNUSED PARTS IF IN THE FUTURE YOU INTEND TO USE THE BED FRAME WITH A STANDARD BOX SPRING OR FOUNDATION.