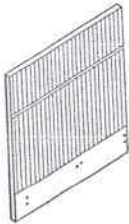


B786 ASPEN ASSEMBLY INSTRUCTION

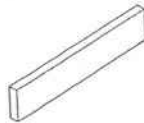


PARTS LIST

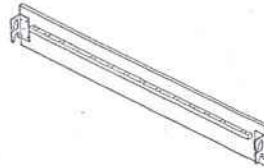
①-Head Board(1pc)



②-Foot Board (1pc)



③-Side Rails (2pcs)



④-Double Plastic cap (15pcs)



⑤-Center Support(1pc)
Bar



⑥-Support Legs(2pcs)



⑦-Slat(30pcs)



⑧-Single Plastic cap (30pcs)



⑨-Left wing (1pc)



⑩-Right wing (1pc)



HARDWARE LIST

A Bolt $\frac{5}{16}$ "*30mm 22pcs



B Bolt $\frac{5}{16}$ " * 75mm 6pcs



C Flat Washer 18 pcs



D Spring Washer 16pcs

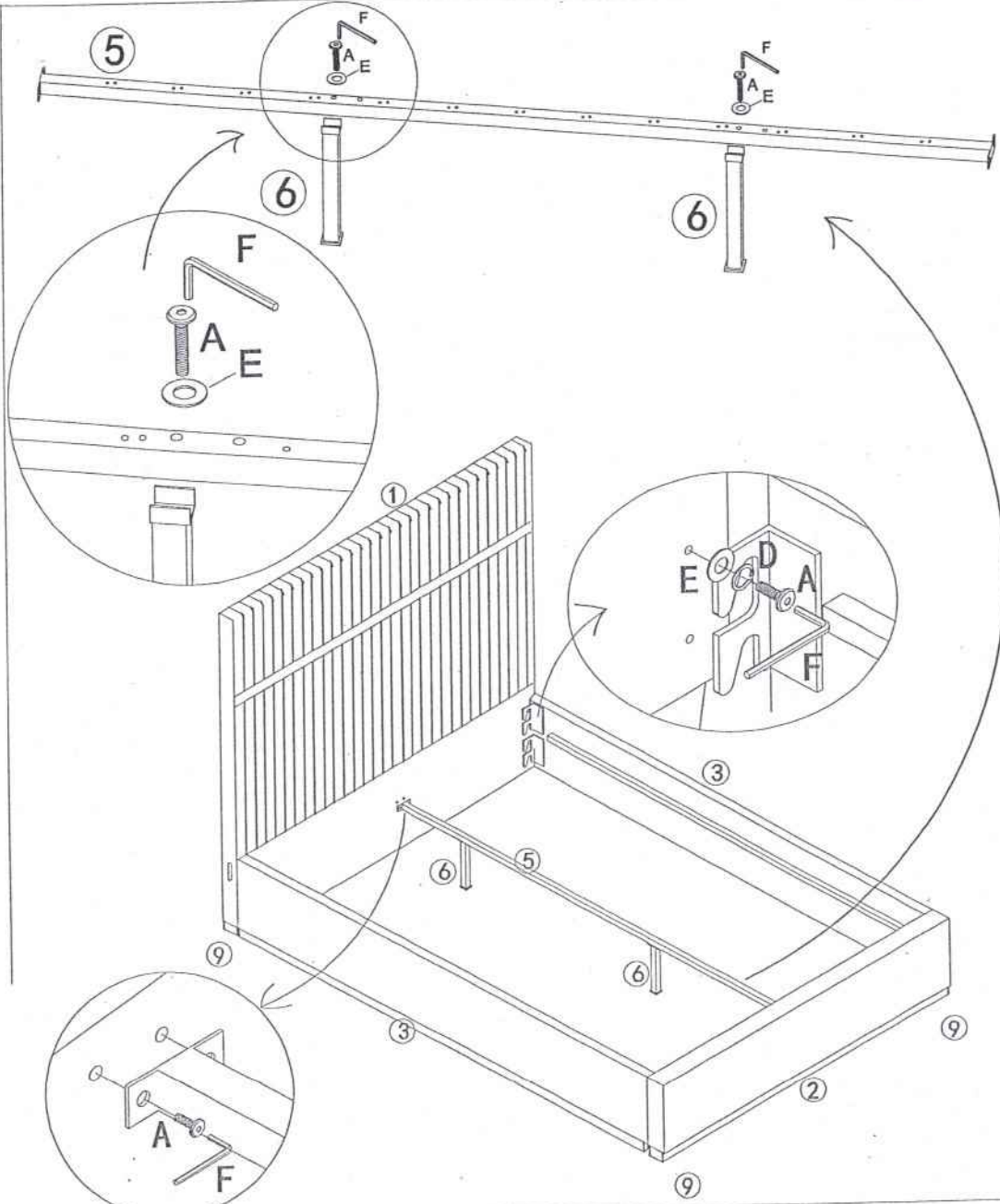


E Flat Washer ϕ 22 6pcs



F $\frac{5}{16}$ " Allen Key 1pc



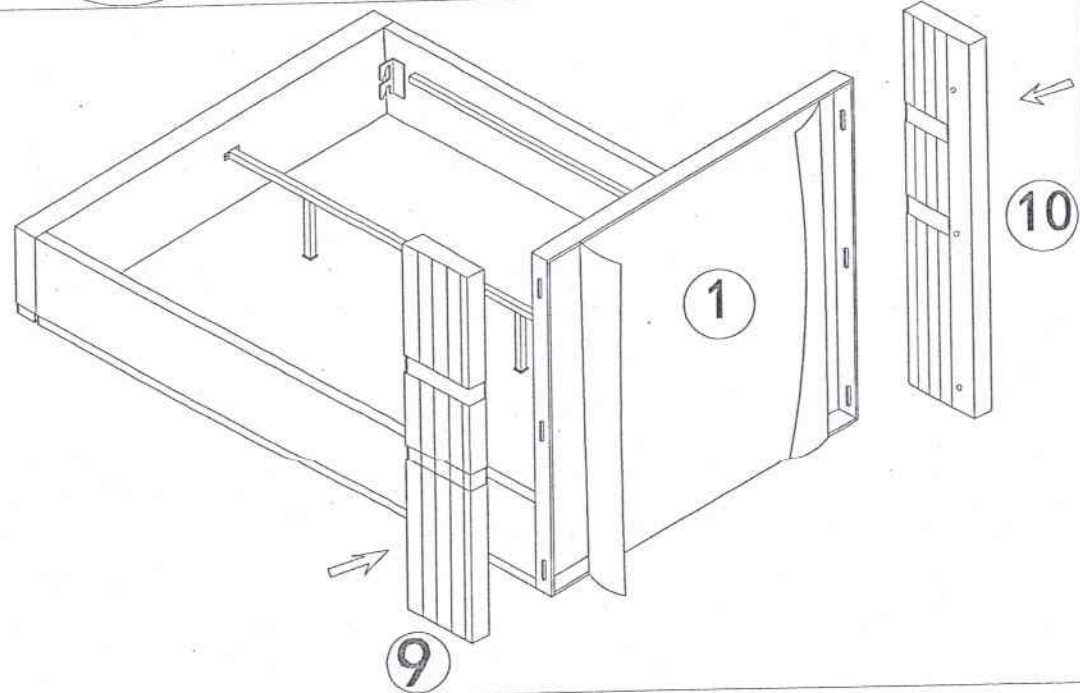


- RARTS REQUIRED**
 ⑤ Center Support Bar*1
 ⑥ Support Legs*2

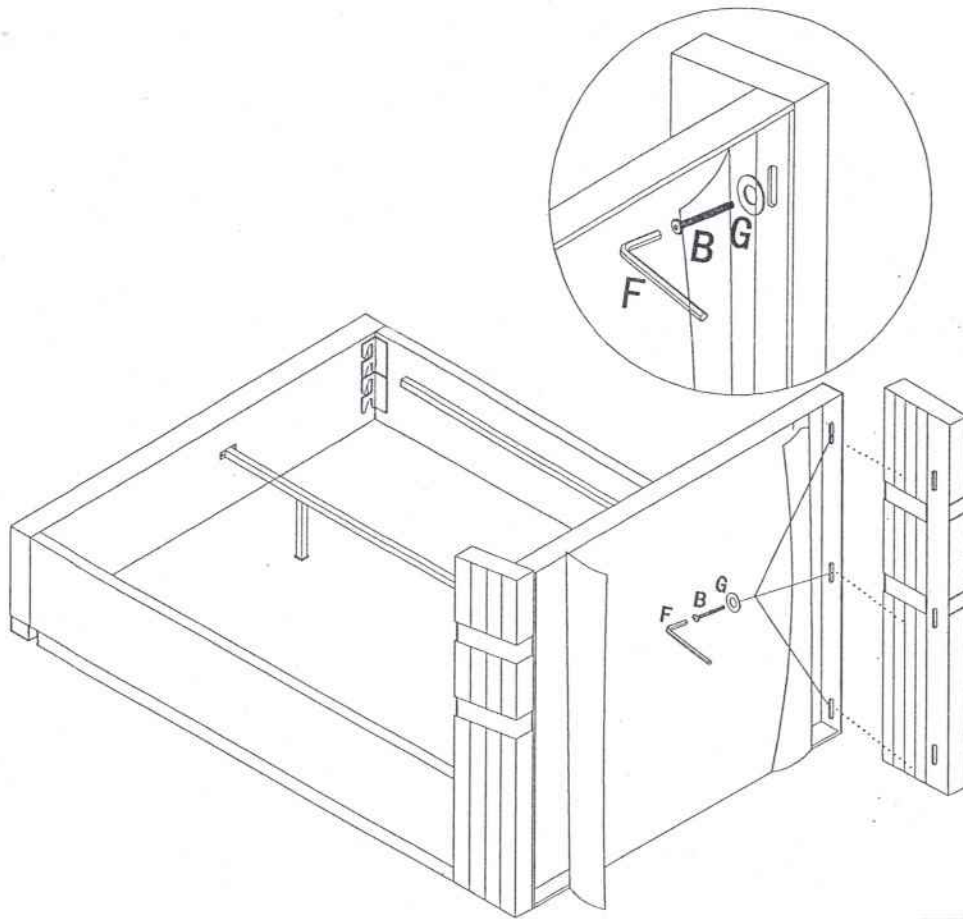
- HARDWARE REQUIRED**
 F*1
 A*2
 E*2

- RARTS REQUIRED**
 ① Head Board*1
 ② Foot Board*1
 ③ Side Rail*2
 ⑤ Center Support Bar*1
 ⑥ Support Leg*2

- HARDWARE REQUIRED**
 F*1
 A*12
 D*8
 E*8

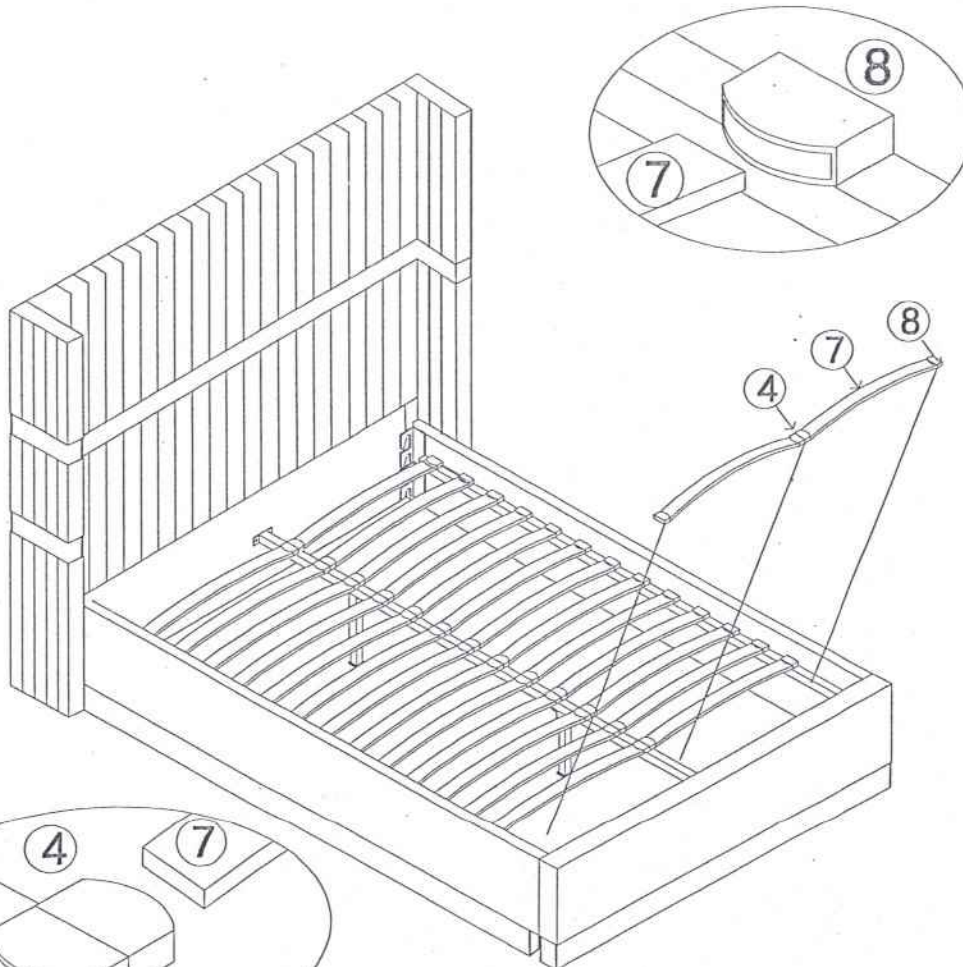


- RARTS REQUIRED**
 ⑨ Left wing*1
 ⑩ Right wing*1



- PARTS REQUIRED**
- ① Head Board*1
 - ② Foot Board*1
 - ③ Side Rail*2
 - ⑤ Center Support Bar*1
 - ⑥ Support Leg*2
 - ⑨ Left wing*1
 - ⑩ Right wing*1

- HARDWARE REQUIRED**
- F*1
 - B*6
 - G*6



- PARTS REQUIRED**
- ① Head Board*1
 - ② Foot Board*1
 - ③ Side Rail*2
 - ④ DOUBLE PLASTIC CAP*15
 - ⑤ Center Support Bar*1
 - ⑥ Support Leg*2
 - ⑦ SLATS*30
 - ⑧ SINGLE PLASTIC CAP*30
 - ⑨ Left wing*1
 - ⑩ Right wing*1