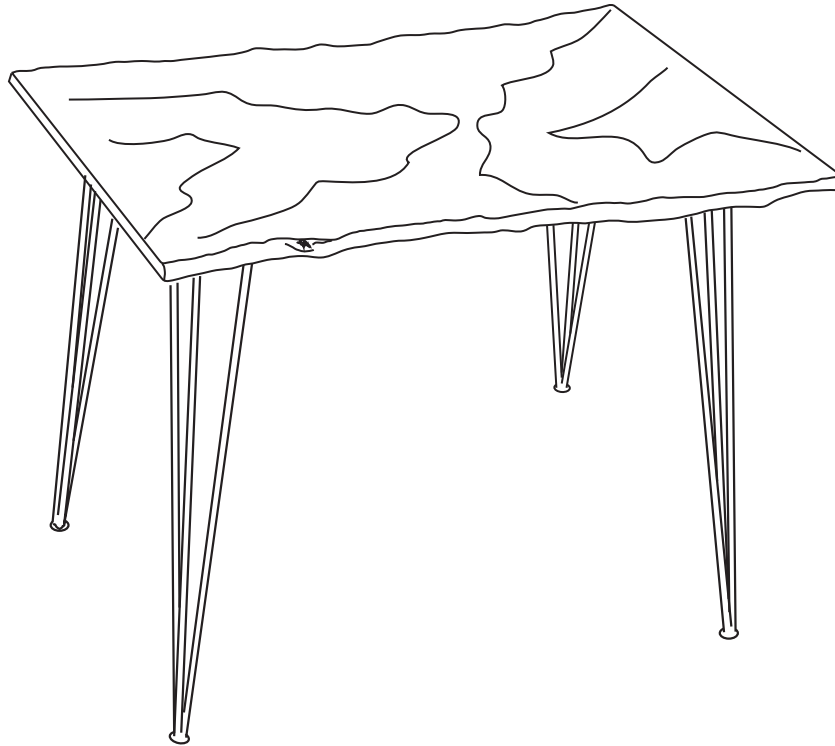








## Assembly Instructions BAR TABLE



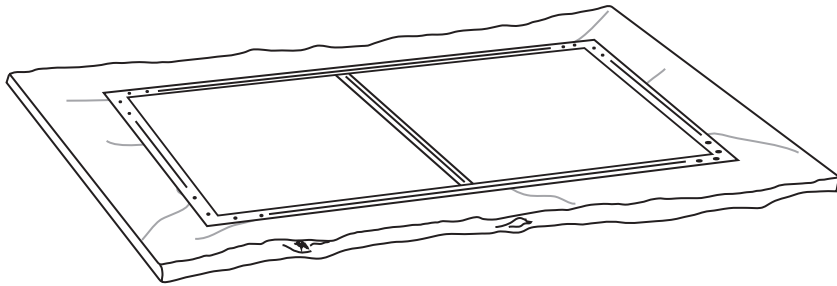
Thank you for purchasing a Forge Company product. This product has been designed for easy assembly and is constructed for durability. Please take the time to read and follow the assembly instructions carefully. If a part or hardware is missing or you have any difficulties in assembling this product, please contact us.

NO.	PART	DESCRIPTION	Q'TY	NO.	PARTS	DESCRIPTION	Q'TY
A		Table Top	1PC	B		Leg Assembly	4PC
C		Allen Head Bolt	16PCS	D		Flat Washer	16PCS
E		Spring Washer	16PCS	F		Allen head wrench	1PC

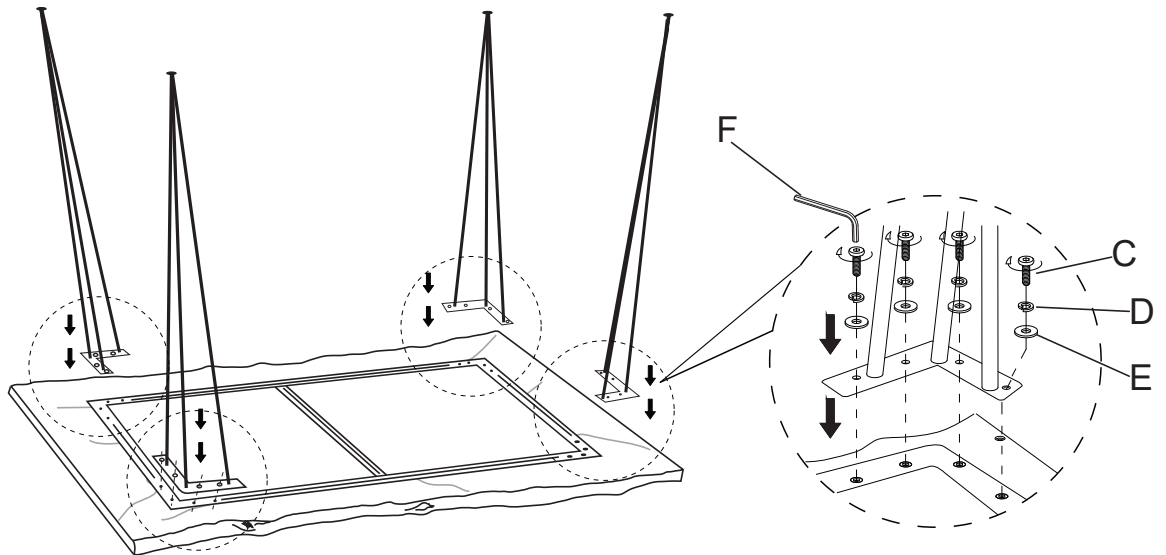
---

Assembly Instructions  
BAR TABLE

STEP 1



STEP 2



STEP 3

