

Dimensions:

23.43" W x 17.24" D x 30.12" H

Customer Service Information

Seville Classics, Inc.

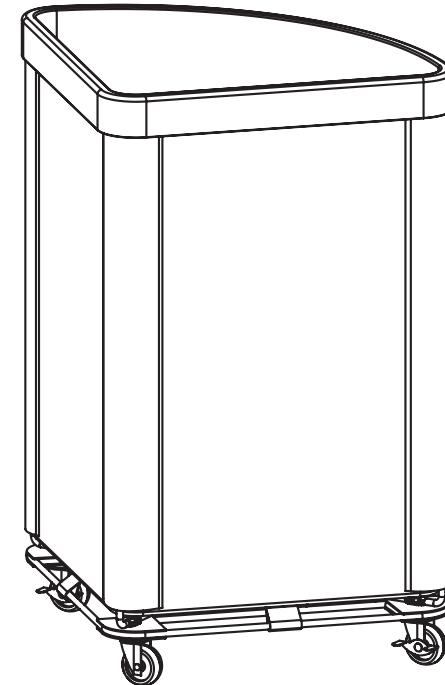
Telephone: (800) 323-5565

Fax: (310) 533-3899

Hours: 8:30 AM – 4:30 PM (PST)

Email: Support@SevilleClassics.com

Online Store: www.SevilleClassics.com



Corner Laundry Cart

Model #: STR06662B (Natural White) / STR06663B (Gray)

Thank you for choosing Seville Classics!

We hope you enjoy your new Laundry Cart.

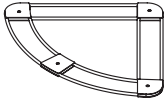
Please read through these assembly instructions and frequently asked questions to ensure proper assembly.

The contact information for our live customer support team based in California is on the last page.

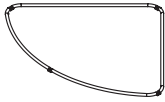
Attention:

Unpack and remove all parts from the box.
Please review the below parts list to ensure you received all the necessary parts.

Parts List



A. Base (1 pc)



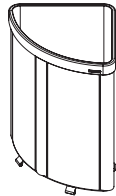
B. Top Frame (1 pc)



C. Lower Body Frame (1 pc)



D. Upper Body Frame (1 pc)



E. Bag (1 pc)



F. Wheels (2 pcs)



G. Locking Wheels (2 pcs)



H. Large Wrench (1 pc)



I. Washers (4 pcs)



J. Screws (4 pcs)



K. Caps (4 pcs)



L. Hex Key (1 pc)



M. Small Wrench (1 pc)

Use Instructions

1. Lock the wheels to keep the cart from rolling while being loaded.
2. Load up to 110 lb. (50 kg) into the bag.
3. Unlock the wheels to move the hamper where you need it.

Care Instructions

The bag is made of polyester and can be removed for easy cleaning.

1. Unfasten and unfold the top of the bag.
2. Lift the bag from the frames.
3. Hand wash with mild detergent and a warm, damp sponge.
4. Spot clean outer bag with mild detergent and a warm, damp sponge.
5. Wipe away excess water with a clean towel.
6. Air dry in a clean area out of direct sunlight.

- DO NOT machine dry the bag.
- DO NOT iron the bag.
- DO NOT overload the bag with more than 110 lb. (50 kg)
- DO NOT use the cart if the wheels are damaged or worn.

Please visit sevilleclassics.com to shop our wide range of products.

Gross weight: 11.9 lb. (5.4 kg.)

Net Weight: 9.7 lb. (4.4 kg.)

Additional Commercial Hampers: WEB340, WEB598, and WEB703

If you are missing any parts or have trouble with assembly, please contact our live customer support team at **(800) 323-5565** or Support@SevilleClassics.com, which can assist you in both English and Spanish.

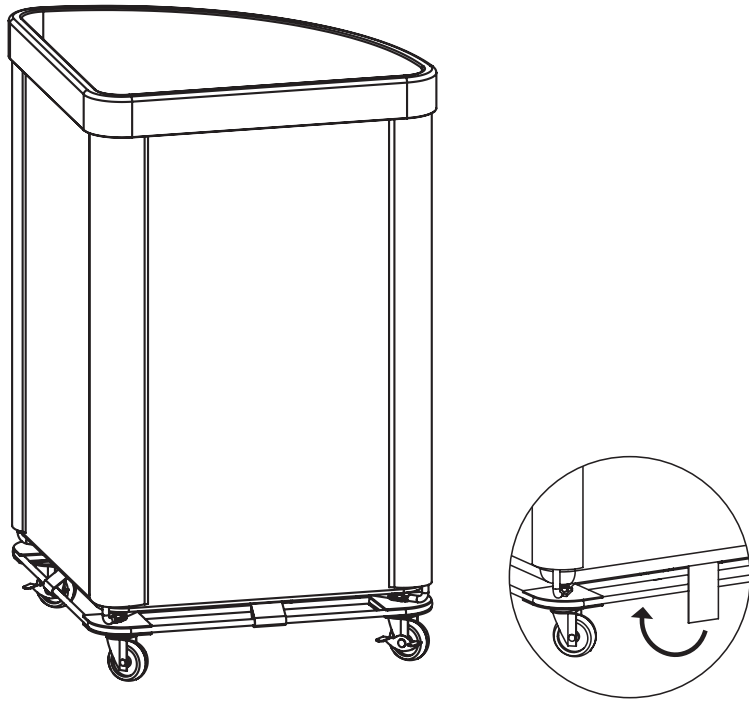


Note:

Please be considerate of the environment and recycle the brown box the item was delivered in along with all applicable packaging materials. Thank you.

STEP 4.

Wrap the hook and loop fasteners at the bottom of the **BAG (E)** around the **BASE (A)** and press together to secure.



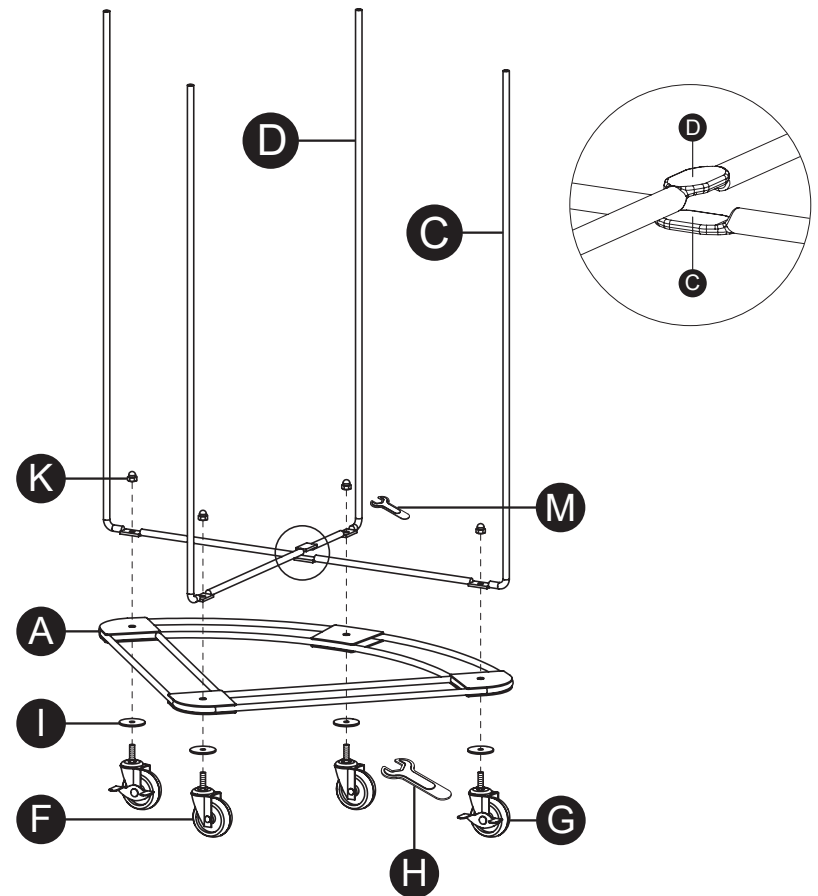
STEP 1.

Fit **WASHERS (I)** over the stems of the **LOCKING WHEELS (G)**. Fit one wheel stem into the hole on **BASE (A)** (as shown). Fit one end of the **LOWER BODY FRAME (C)** over the wheel stem. Attach a **CAP (K)** to the wheel stem and tighten by hand.

Fit the second **LOCKING WHEEL (G)** through the hole diagonally across on **BASE (A)** and repeat the steps to the other end of the **LOWER BODY FRAME (C)**. Keep the same wheel type for each body frame.

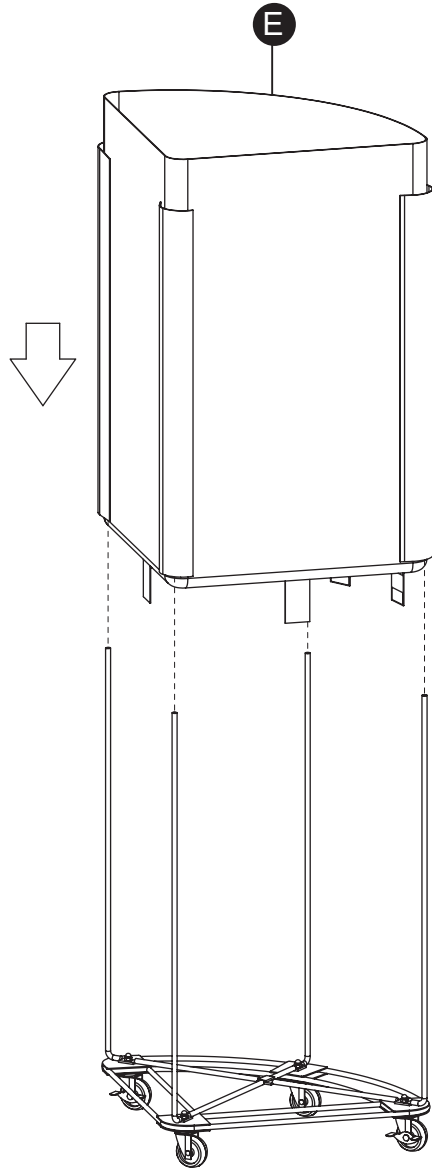
Repeat for the **UPPER BODY FRAME (D)** and the **WHEELS (F)**.

TIPS: Install the **LOWER BODY FRAME (C)** first; install one wheel at a time to keep the frame from moving around. Use the **SMALL WRENCH (M)** to hold the **CAPS (K)** steady and tighten the wheels with the **LARGE WRENCH (H)**. Lay the frame on its side to tighten the wheels more easily.



STEP 2.

Fit the four corner pockets on the **BAG (E)** over the frame.



STEP 3.

Align the holes at the corners of the **TOP FRAME (B)** with the tops of the **BODY FRAMES (C, D)**. Attach with **SCREWS (J)** and fasten using a **HEX KEY (L)**.

Fold the top of the **BAG (E)** down over the **TOP FRAME (B)** and press the hook and loop fasteners together to secure.

