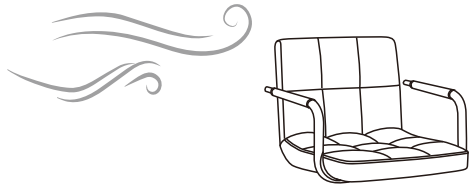
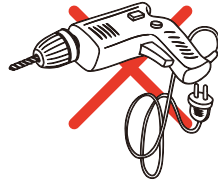
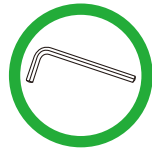


After successful installation
Please put the chair in a shady
outside for 1-2 days.



For longer use

Re-tighten bolts every 6 months by using
the enclosed allen-key
*Using an electric drill can damage the chair
Please re-tighten bolts manually.



Safety Information



Sit in the center of the
chair, with your back to
the backrest



Do not sit at the front
edge of the chair



Do not stand on the
chair



Do not use the chair
with more than one
person



Do not push the chair
around when a person
is sitting in it

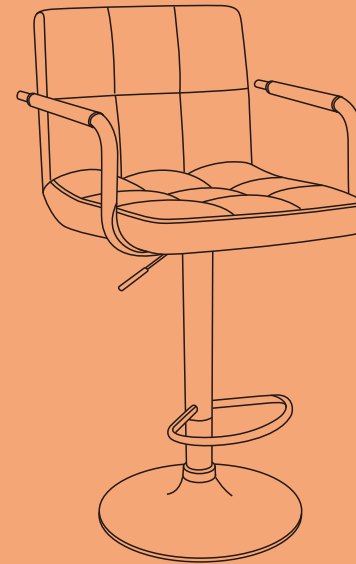


Do not push down on
the backrest when a
person is reclined



Do not place all your
weight on only the
backrest

INSTRUCTION MANUAL



INSTRUCTION MANUAL

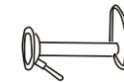
Package List



(A)*1 Stool Surface



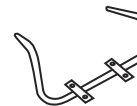
(B)*1 Tray



(C)*1 Conjoined support



(D)*1 Air Rod



(E)*1 Armrest



(F)*2 Armrest cover



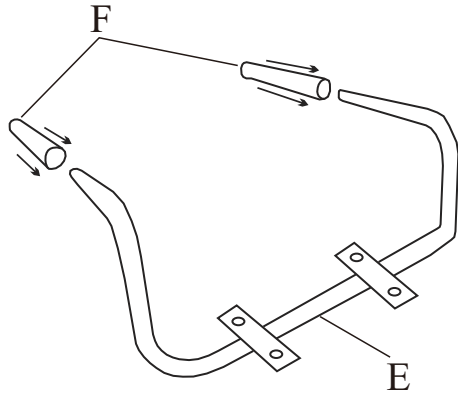
M6x16mm

(G)*8 Bolts

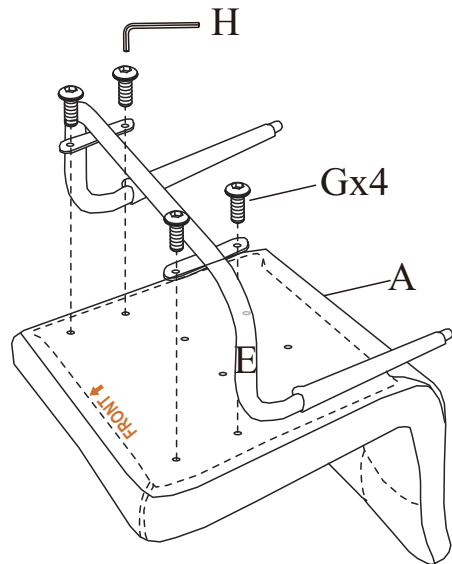


(H)*1 Wrench

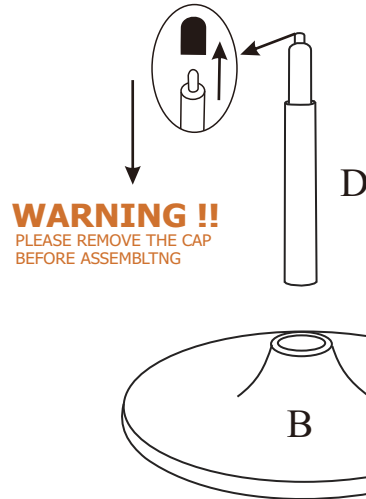
Assembly Instruction



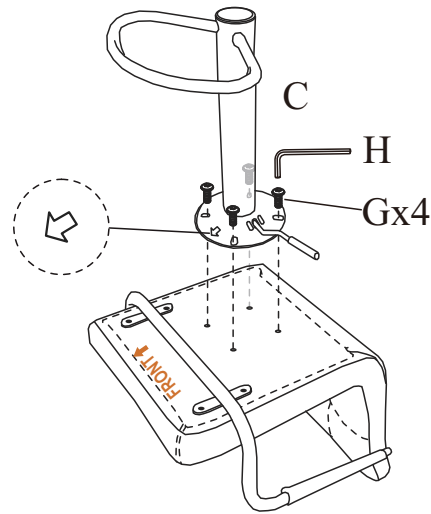
1



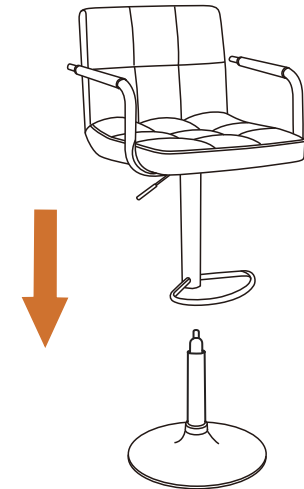
2



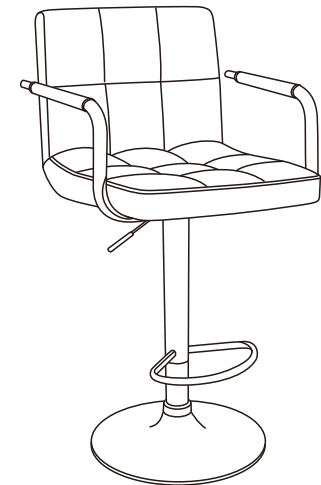
3



4



5



6

CAUTION:

- * Before using the chair, check to ensure that all bolts are fully tightened.
- * Lubricate all parts and tighten all bolts every 6 months or whenever needed.

NOTE: 1. All bolts are 100% tightened