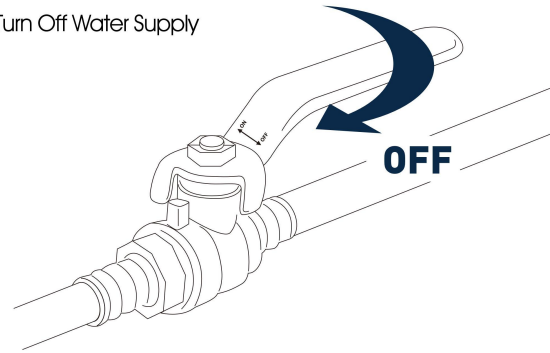


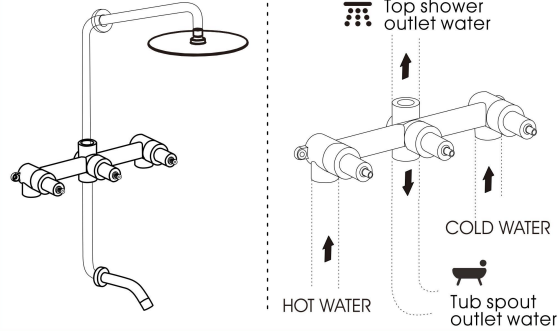
# INSTALLATION STEPS

## BEFORE YOU BEGIN

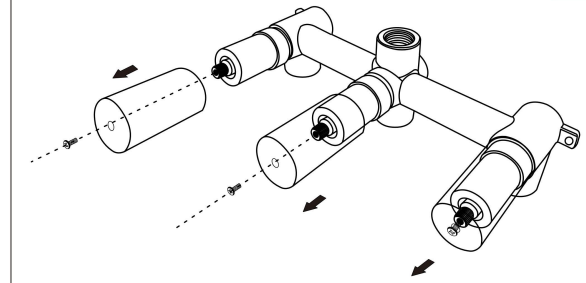
Turn Off Water Supply



## INSTALLATION WAY



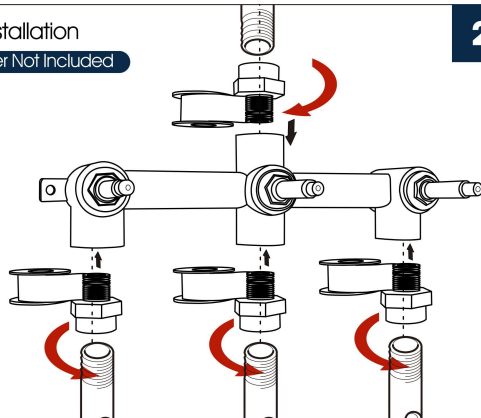
1



Pipe Installation

\*Adapter Not Included

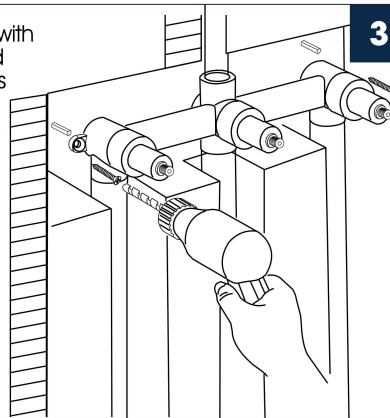
2



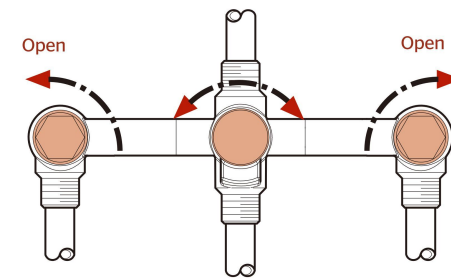
Position the valve with screw anchor and self-tapping screws

Tips: please carefully check the valve deep size before seal tiles.

3



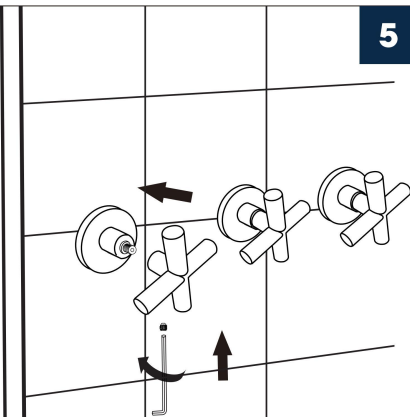
4



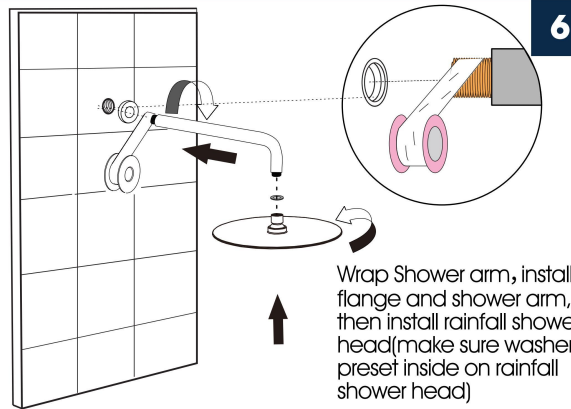
Turn to full ON position and check connections for leaks.  
Turn to full OFF position and check for leaks from the outlets.  
Turn on your water supply & check for any leaks.

Install knobs to valve with hex screws

5



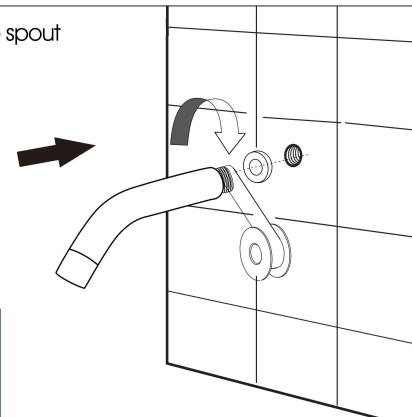
6



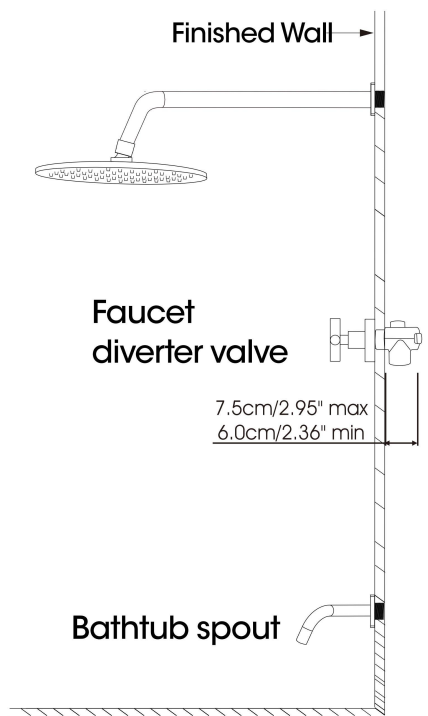
Wrap Shower arm, install flange and shower arm, then install rainfall shower head (make sure washer preset inside on rainfall shower head)

Install tub spout

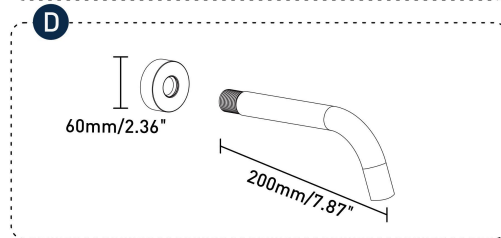
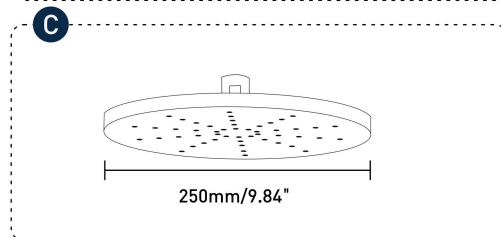
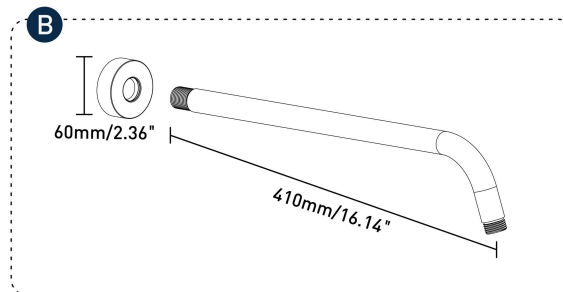
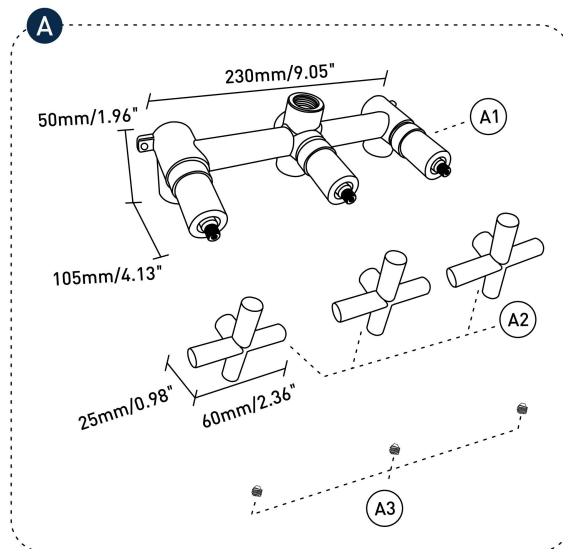
7



**PRODUCT DRAWING**

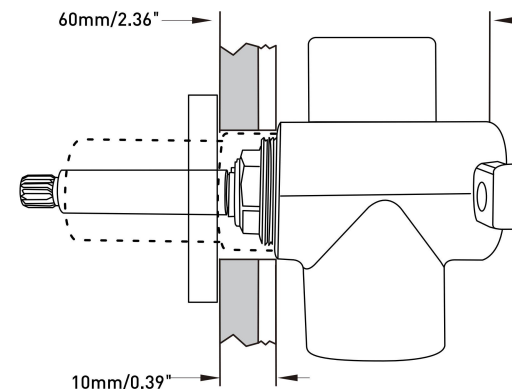


No.	Description
<b>A</b>	Pressure balanced diverter valve
<b>A1</b>	Valve
<b>A2</b>	Adjusting knob
<b>A3</b>	Allen screw
<b>B</b>	Shower arm and flange kit
<b>C</b>	Shower head
<b>D</b>	Tub Spout



**Prepare for Installation**

**A-Valve Installation-Shallow Wall**



**B-Valve Installation-Deep Wall**

