

INSTALLATION INSTRUCTIONS

PARTS LIST

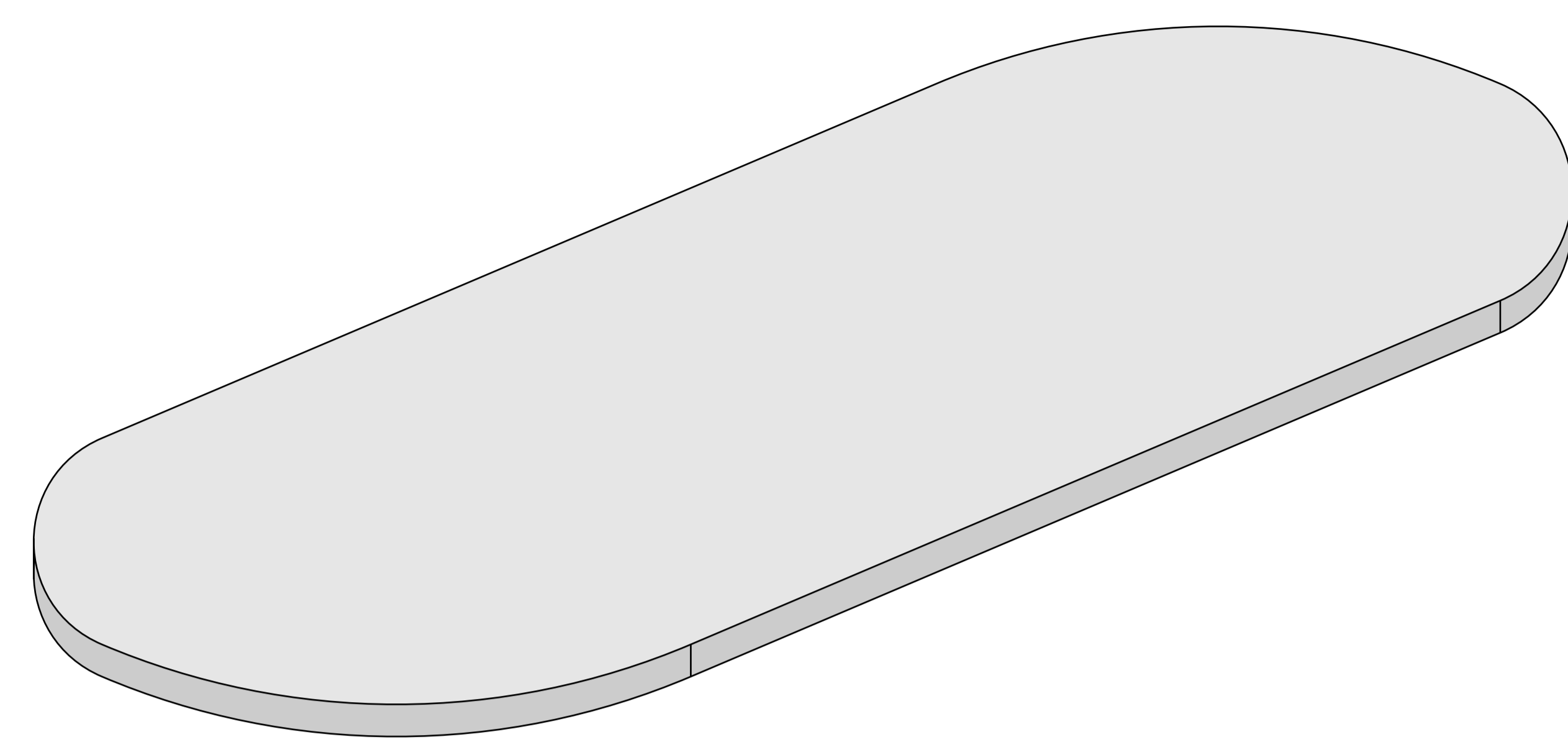
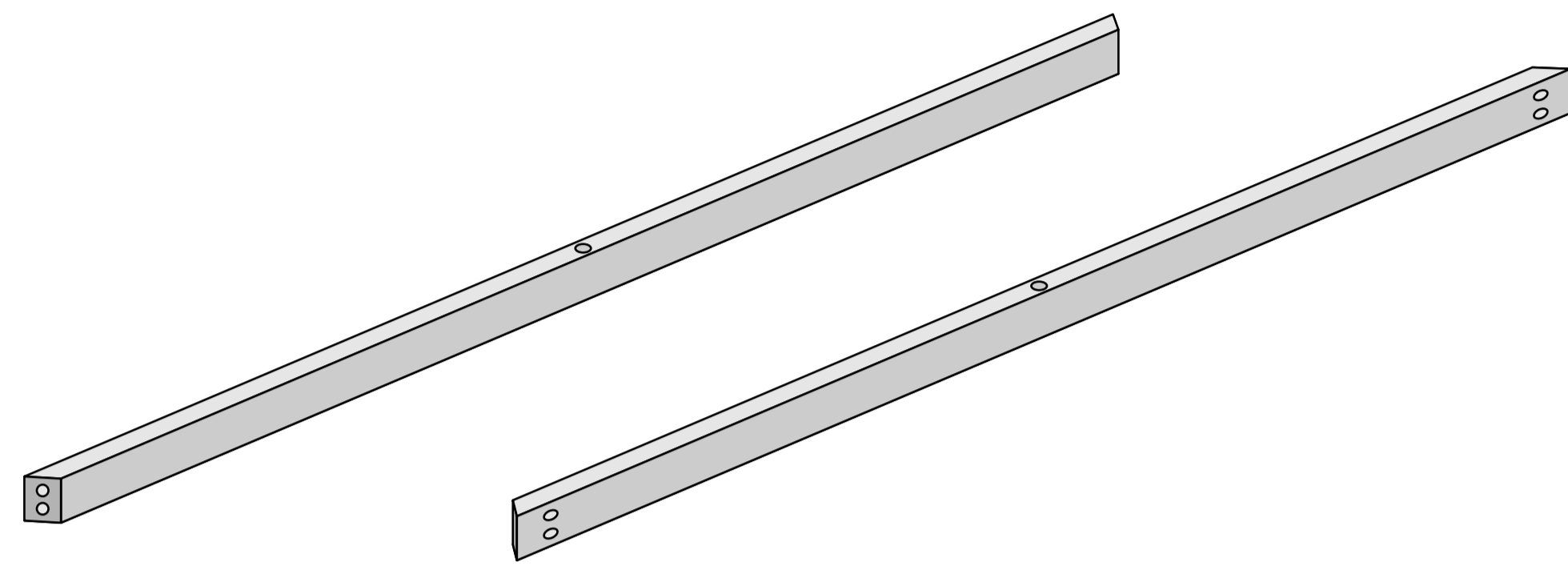


Table top



Connecting board x2

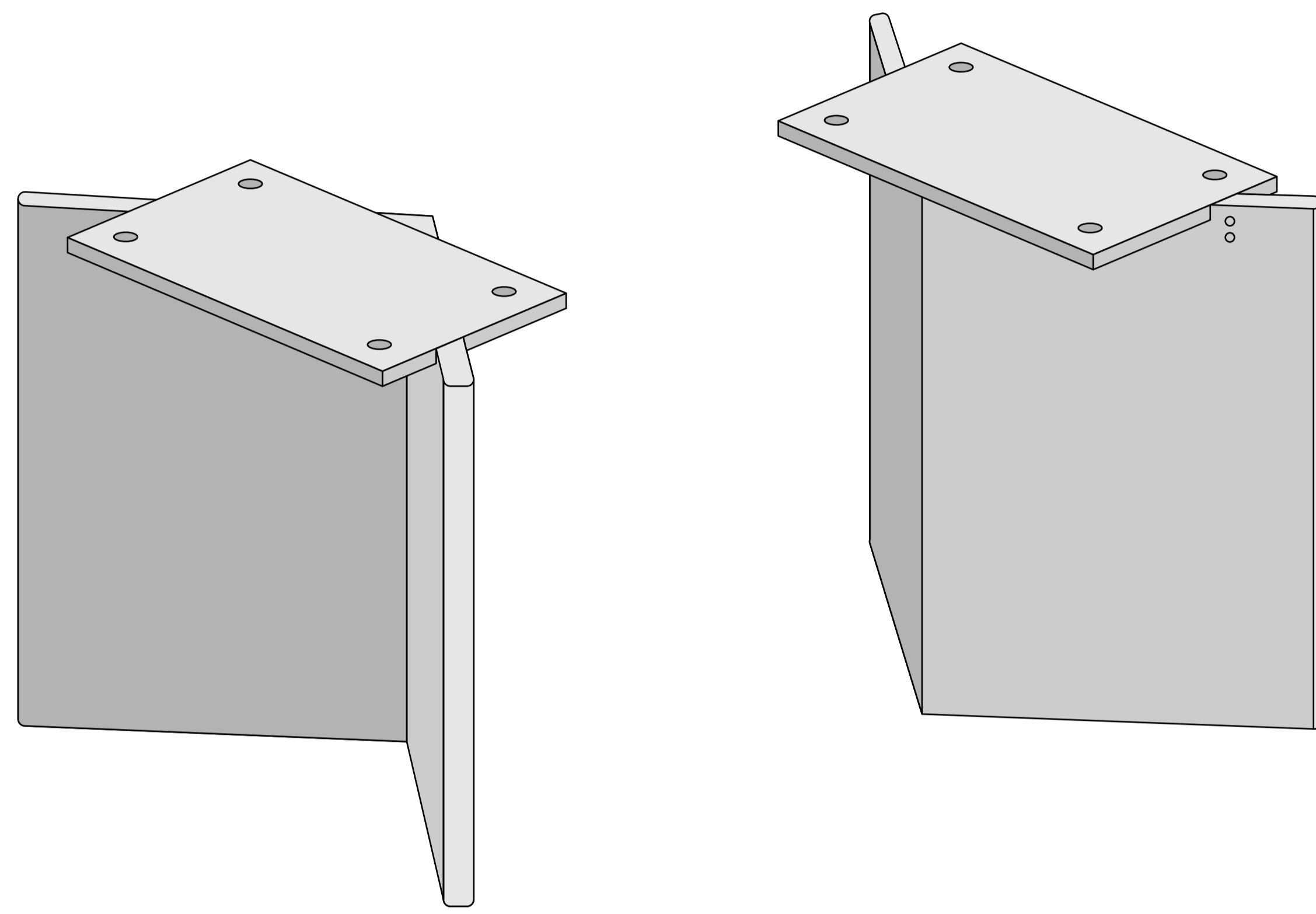
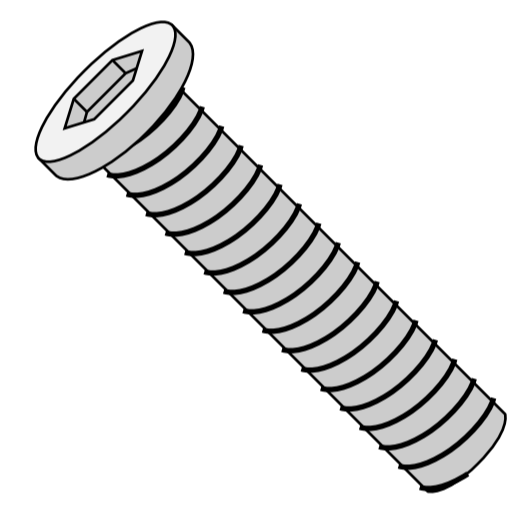
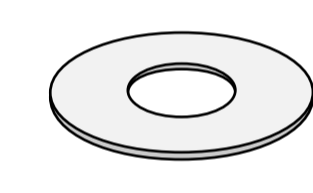


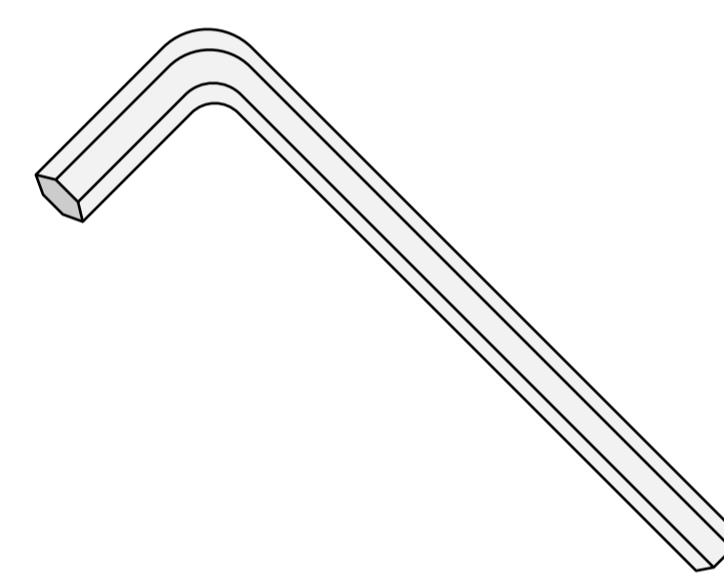
Table leg x2



Screw x18



Gasket x18



Hex key

The extra parts are for spare

MARBLE CLEANING. MAINTENANCE. PRECAUTIONS

· REGULAR CLEANING:

The marble should be cleaned with special cleaning agents to avoid damaging the surface structure. In general, a neutral cleaner, such as alcohol or warm water, should be used and then wiped with a clean cloth to maximize the cleaning of the surface

· DECONTAMINATION:

To remove dirt on the marble, you can use a one-time wet, and then rinse it off with water. If there is oil, you can use dish soap, but be careful not to use too much, so as not to break the internal structure of the marble.

· MAINTENANCE:

The marble should be regularly maintained with paraffin wax to increase the surface light, and to effectively protect the surface from pollution erosion. In addition, it is also important to polish the marble regularly to maintain the finish and water resistance.

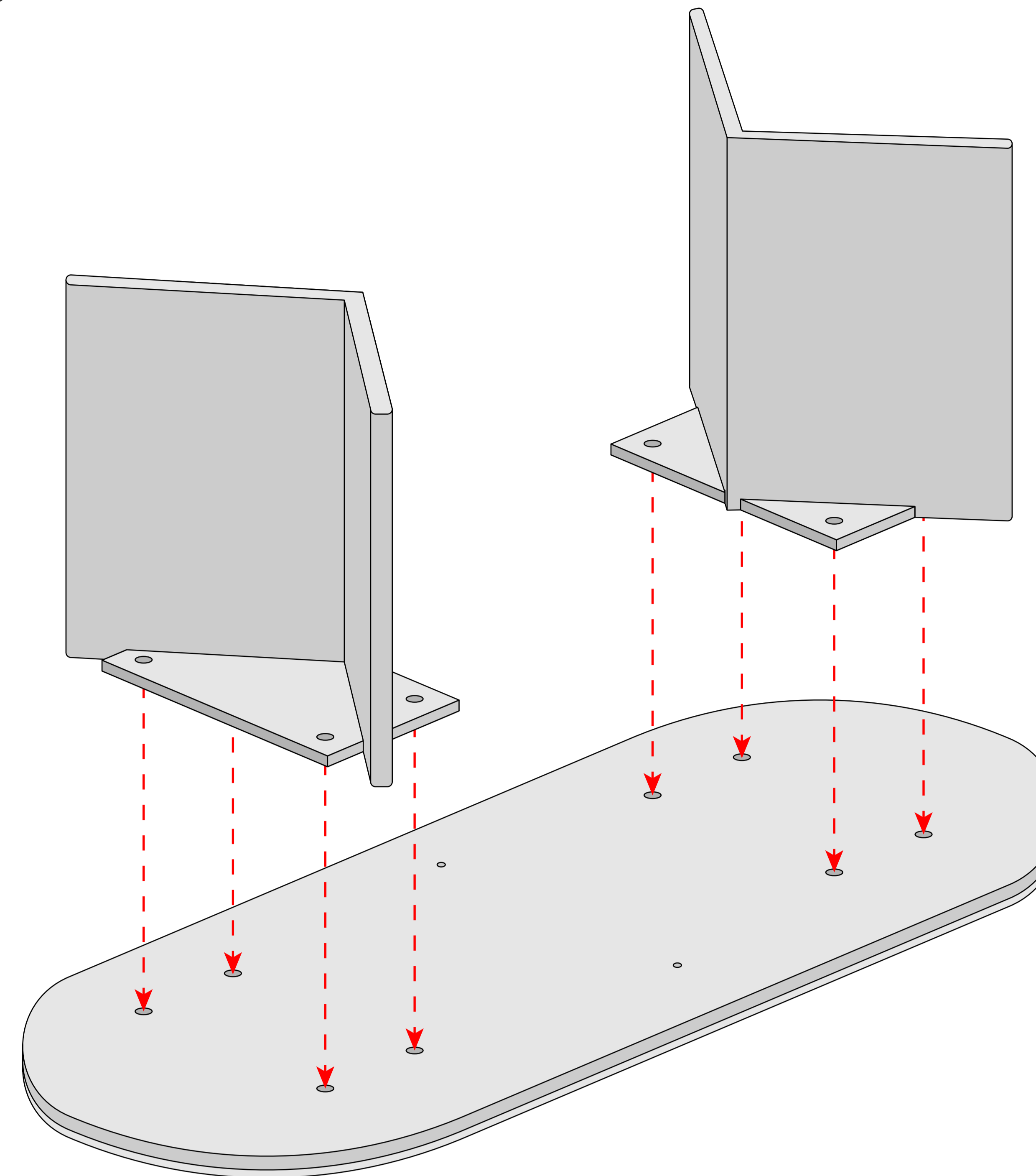
· NOTE:

When cleaning, note: do not use detergent containing acid components, do not use metal or other hard objects to clean the marble, so as not to wear the surface.

STEP 1

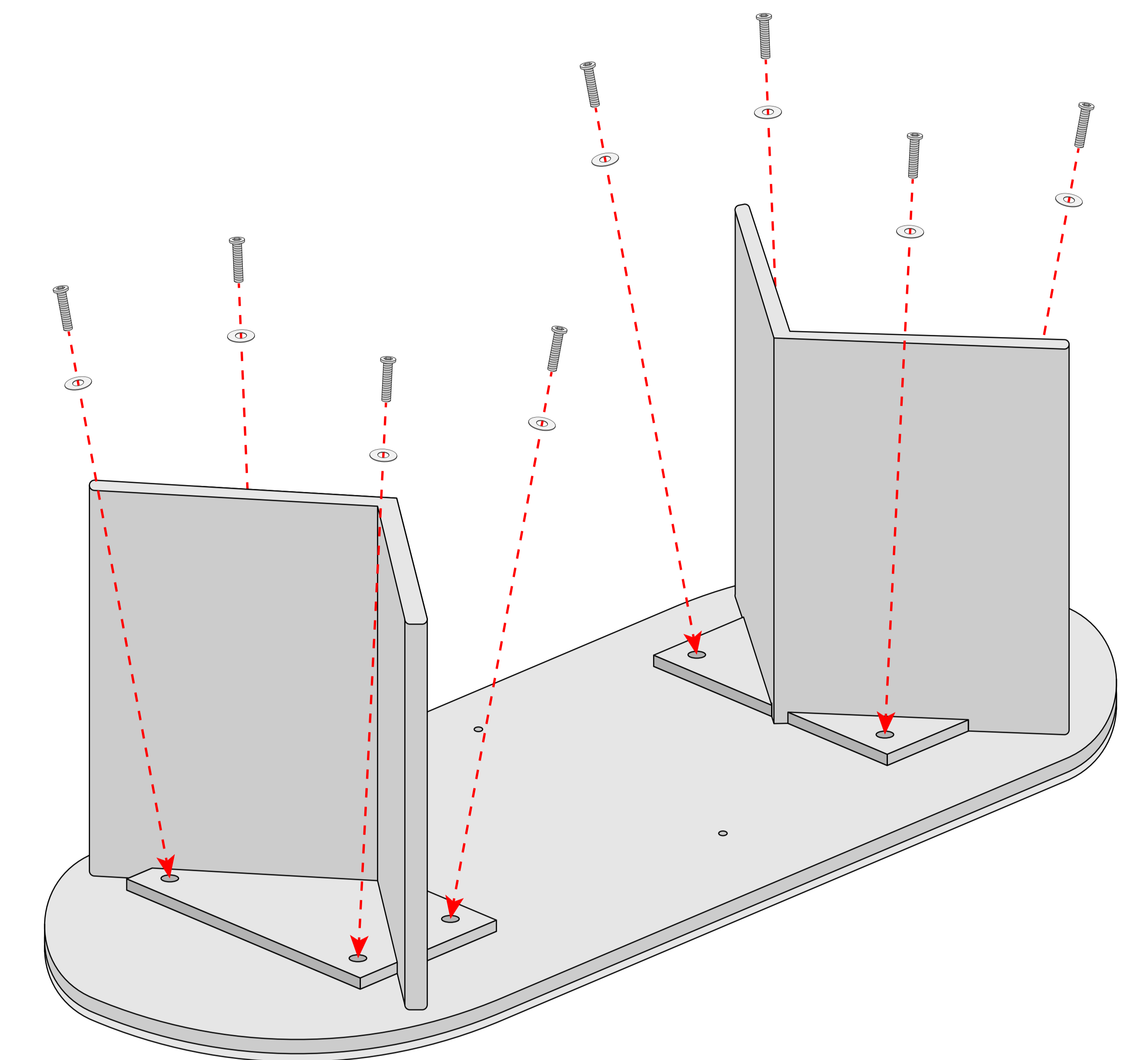
Turn the "Table leg" and "Table top" upside down and place them on the ground.

Place the "Table leg" on the back of the "Table top", aligned with the holes



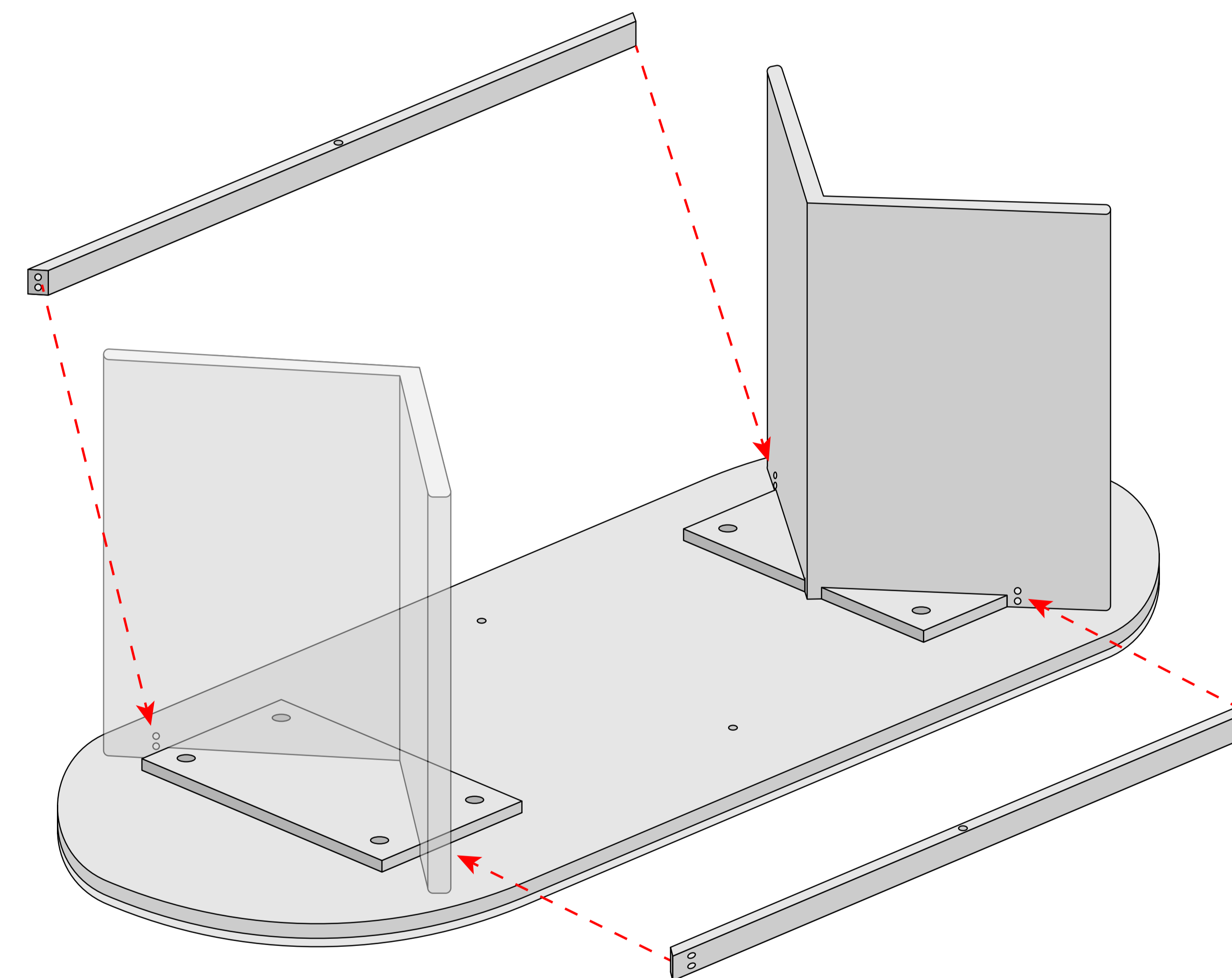
STEP 2

Secure the "table legs" with screws and gasket



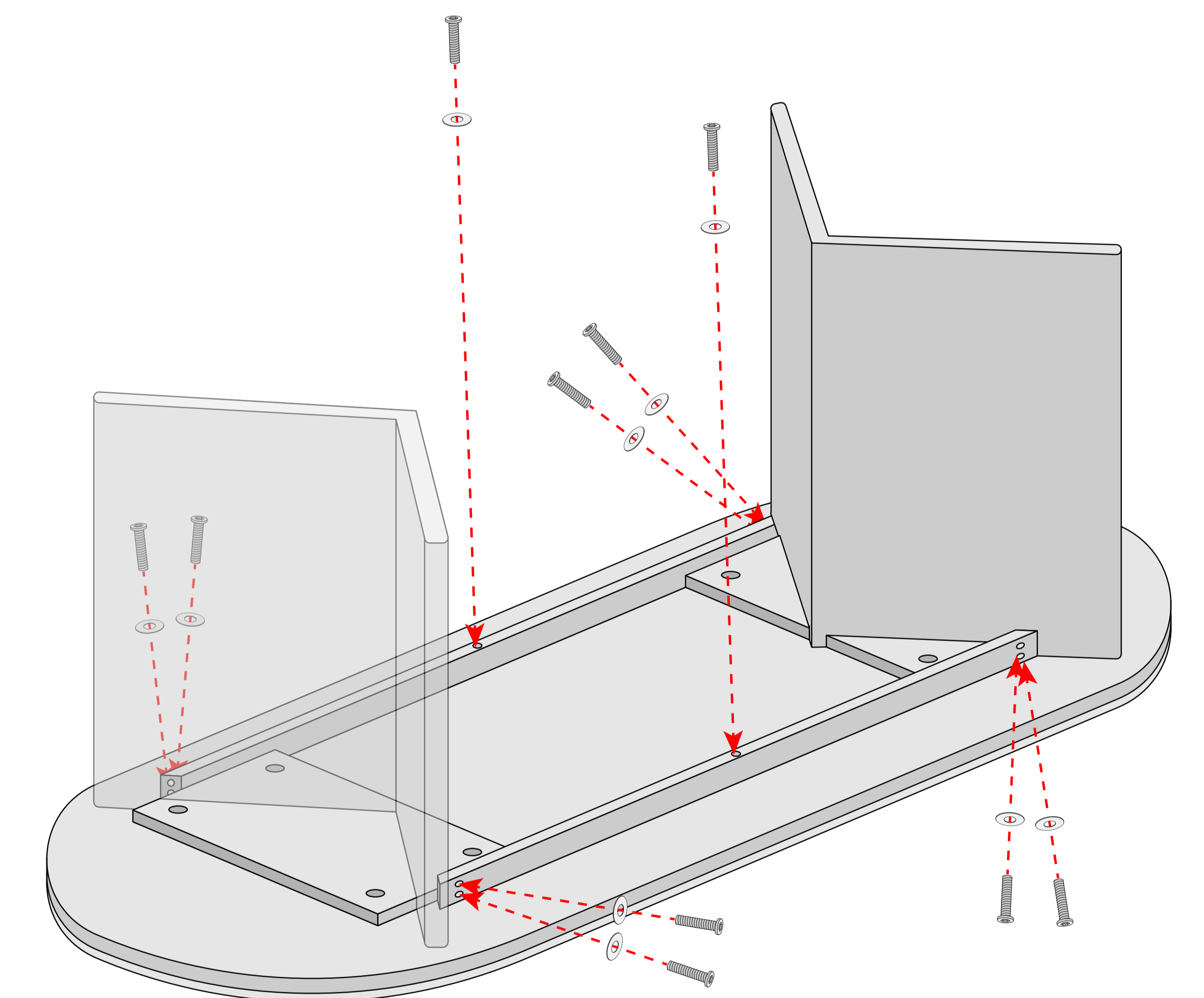
STEP 3

Place the Connecting board on the foot of the table in alignment with the holes



STEP 4

Secure the "Connecting board" with screws and gasket



Installation complete

