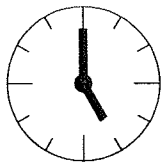
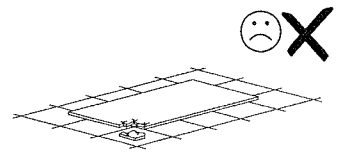
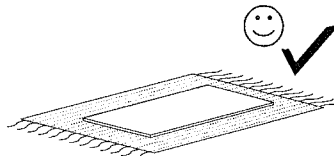
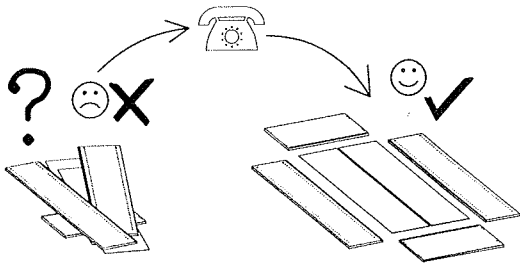
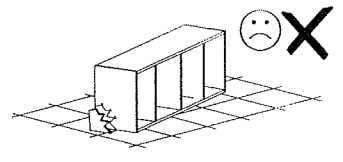
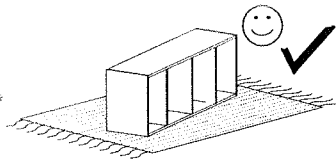
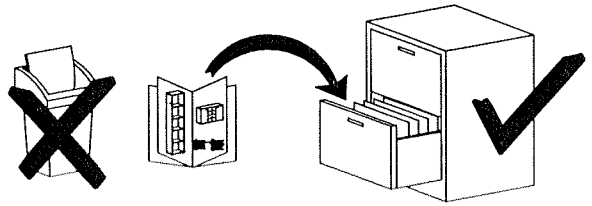
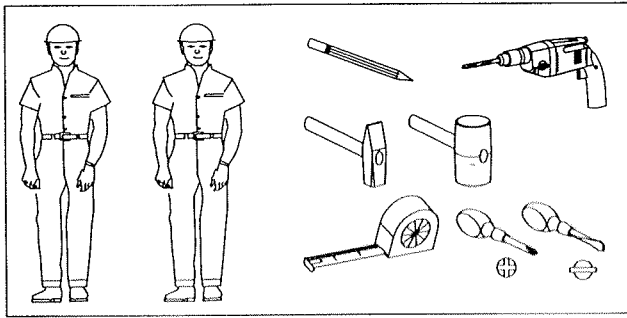
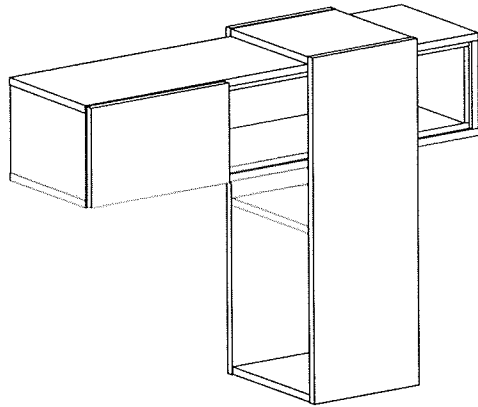
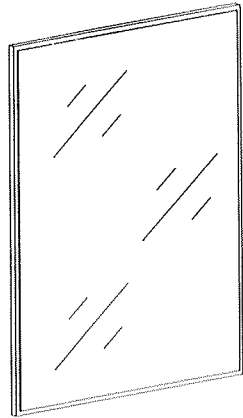
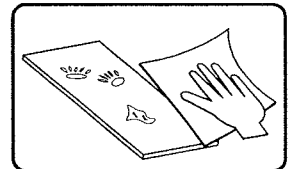
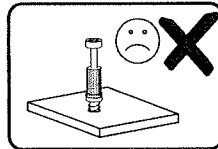
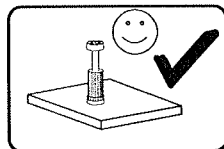
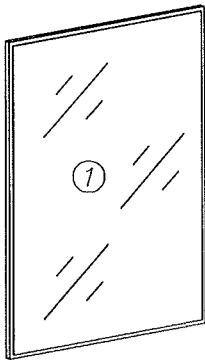
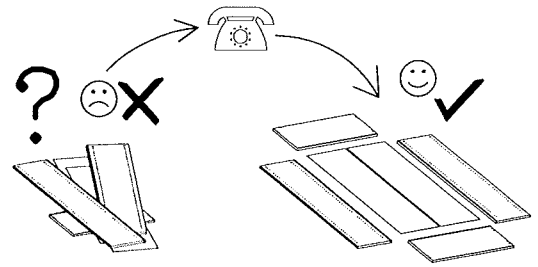
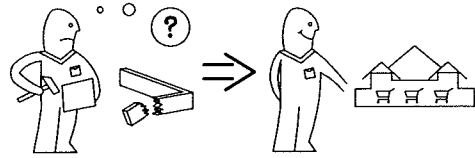
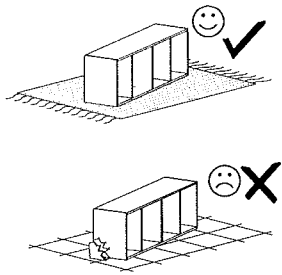


# MOVE



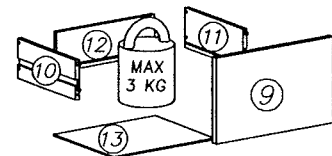
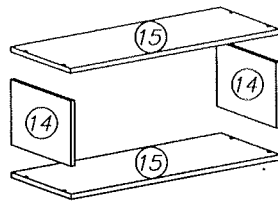
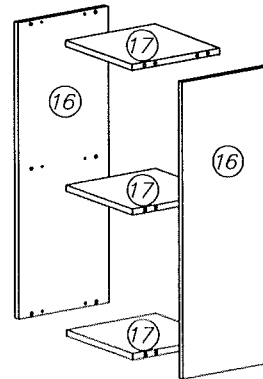
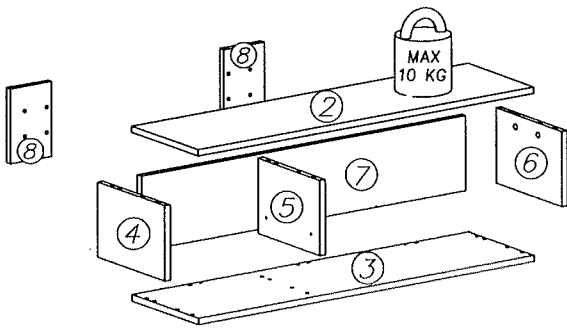
1,5h





nr	L[mm]	B[mm]	T[mm]	Menge	Colli
1	800	580	20	1	2/2
2	1000	278	16	1	1/2
3	1000	278	16	1	1/2
4	190	277	16	1	1/2
5	190	262	16	1	1/2

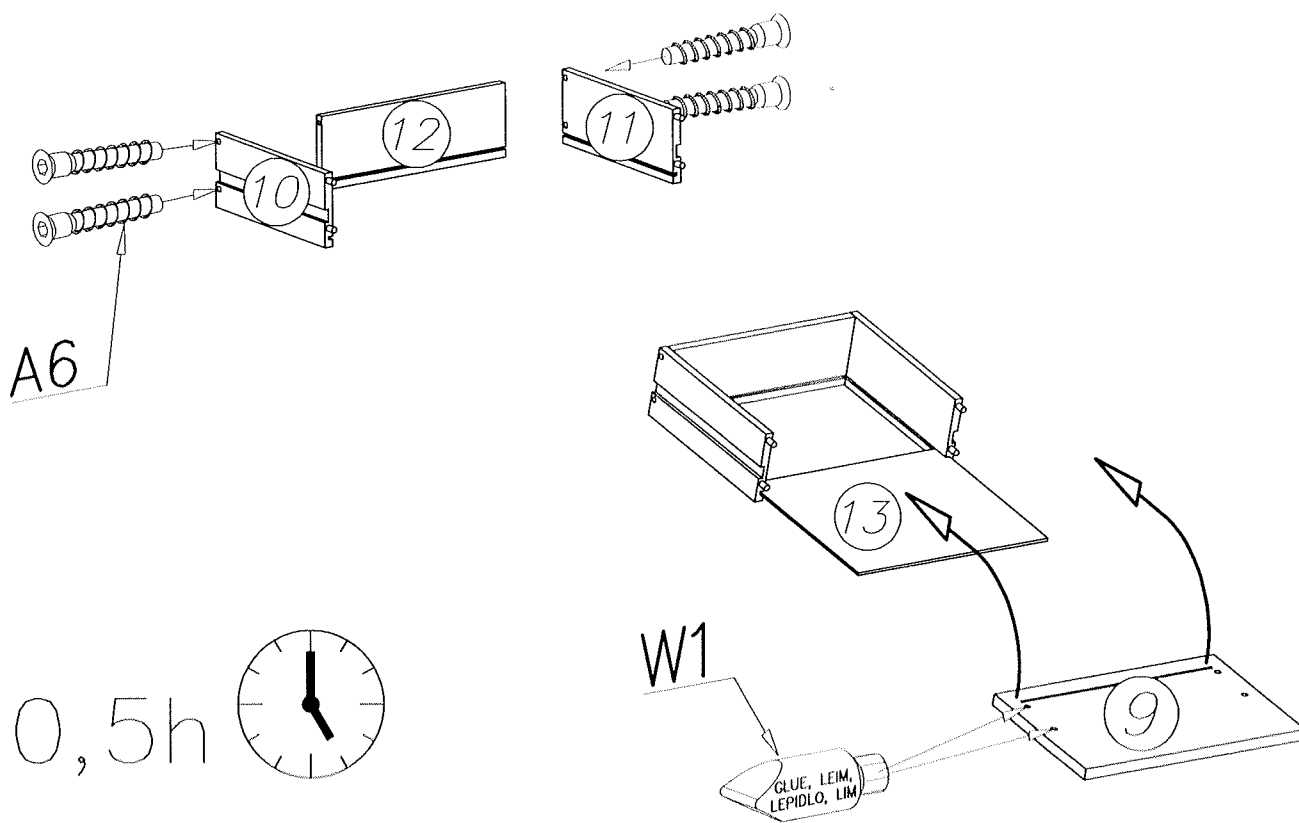
nr	L[mm]	B[mm]	T[mm]	Menge	Colli
6	190	277	16	1	1/2
7	966	190	16	1	1/2
8	190	120	16	2	1/2
9	350	216	16	1	1/2
10	250	100	12	1	1/2
11	250	100	12	1	1/2
12	292	100	12	1	1/2
13	302	251	3	1	1/2
14	165	250	12	2	1/2
15	624	252	12	2	1/2
16	750	266	16	2	1/2
17	280	262	16	3	1/2



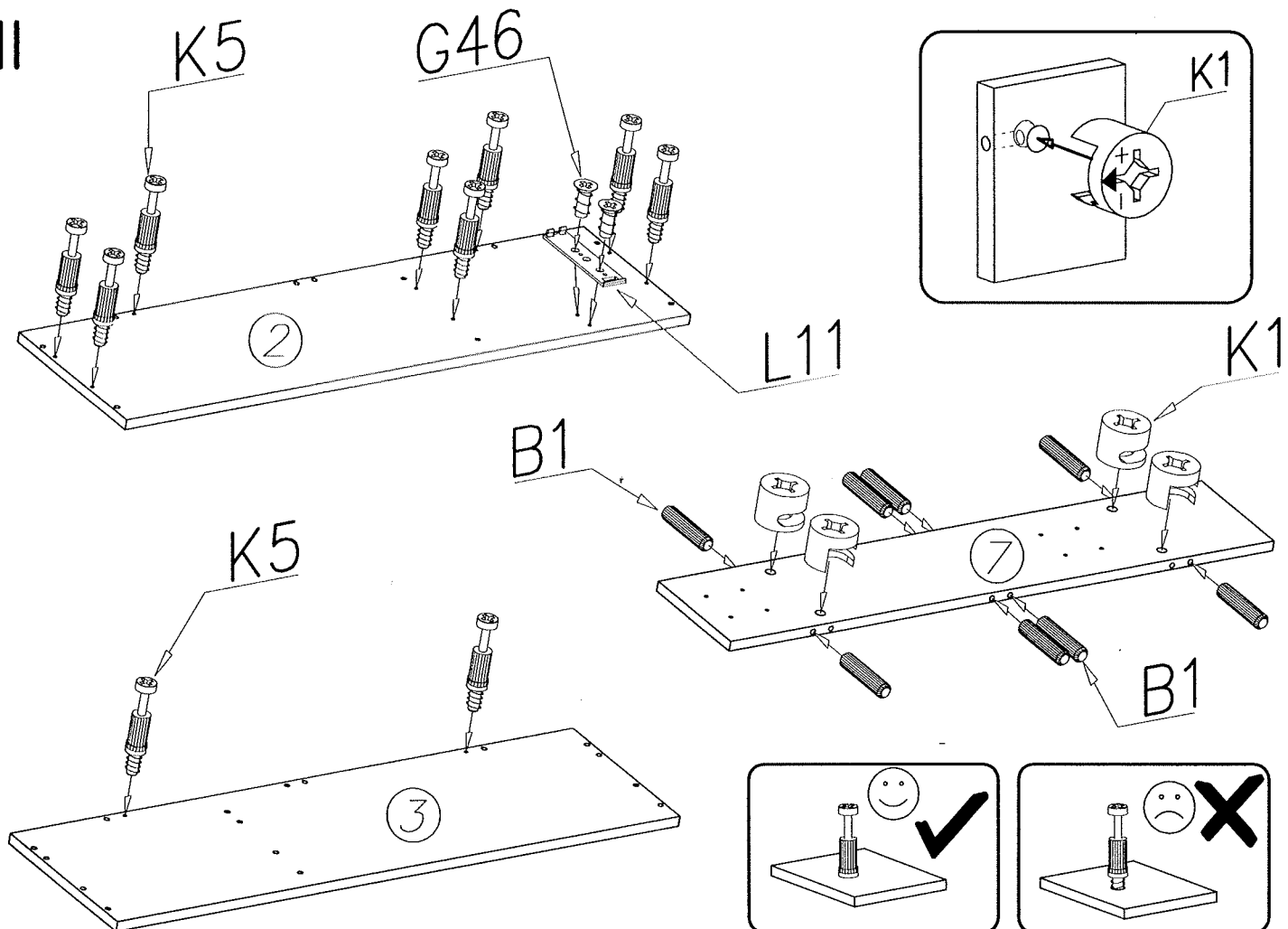
	<b>W2</b>  4mm x...(1)	<b>W1</b>  GLUE, LEIM, LEPIDLO, LUM x...(1)	<b>U7S</b>  x...(4)	<b>U1</b>  x...(2)
<b>A1</b>  ø7x50 x...(6)	<b>L11</b>  x...(1)	<b>G12</b>  4x25 x...(2)	<b>U8</b>  ø10x60 x...(4)	<b>A4</b>  ø5x40 x...(8)
<b>K1</b>  ø15x12 x...(22)	<b>N1</b>  M4x9 x...(2)	<b>A8</b>  ø7x28 x...(8)	<b>A6</b>  ø7x40 x...(4)	<b>W8</b>  50x20 x...(4)
<b>K5</b>  x...(22)	<b>B1</b>  ø8x35 x...(32)	<b>H2</b>  250mm x...(2)	<b>G46</b>  6x8 x...(10)	

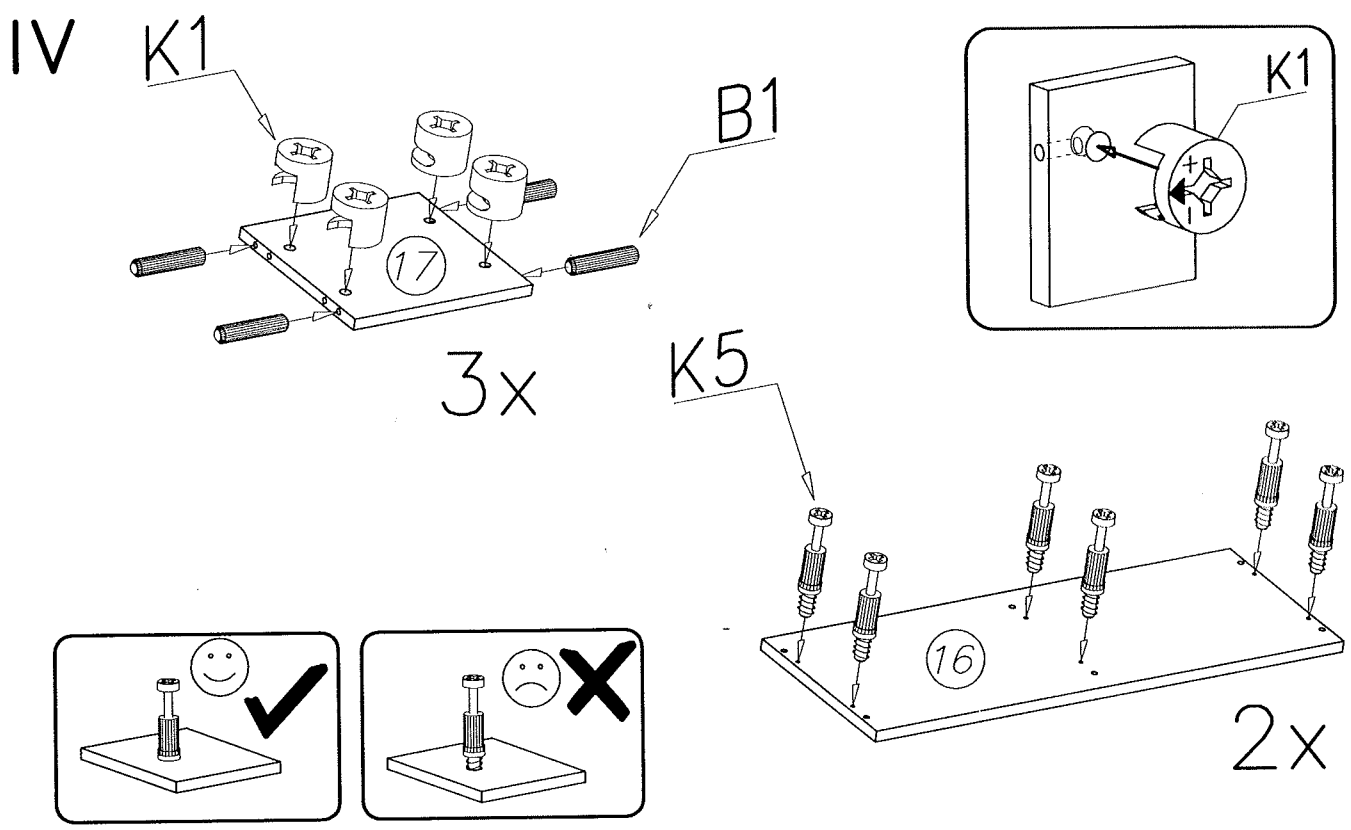
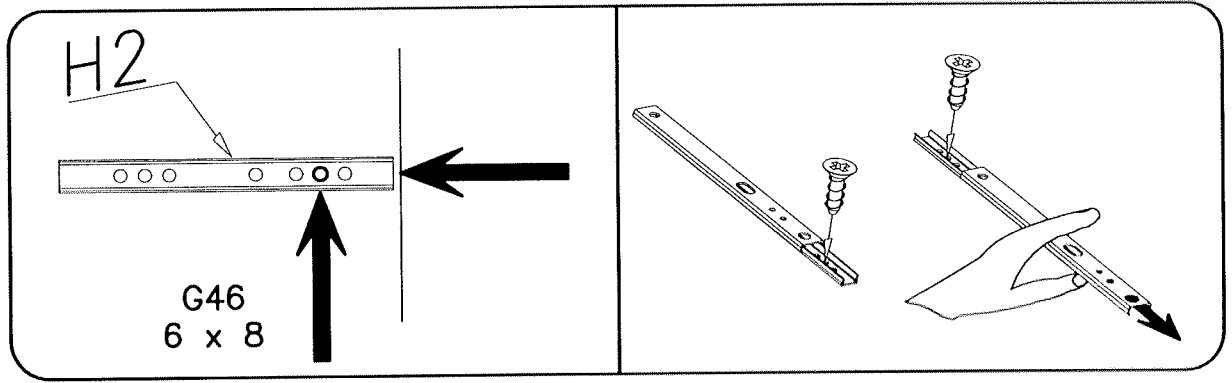
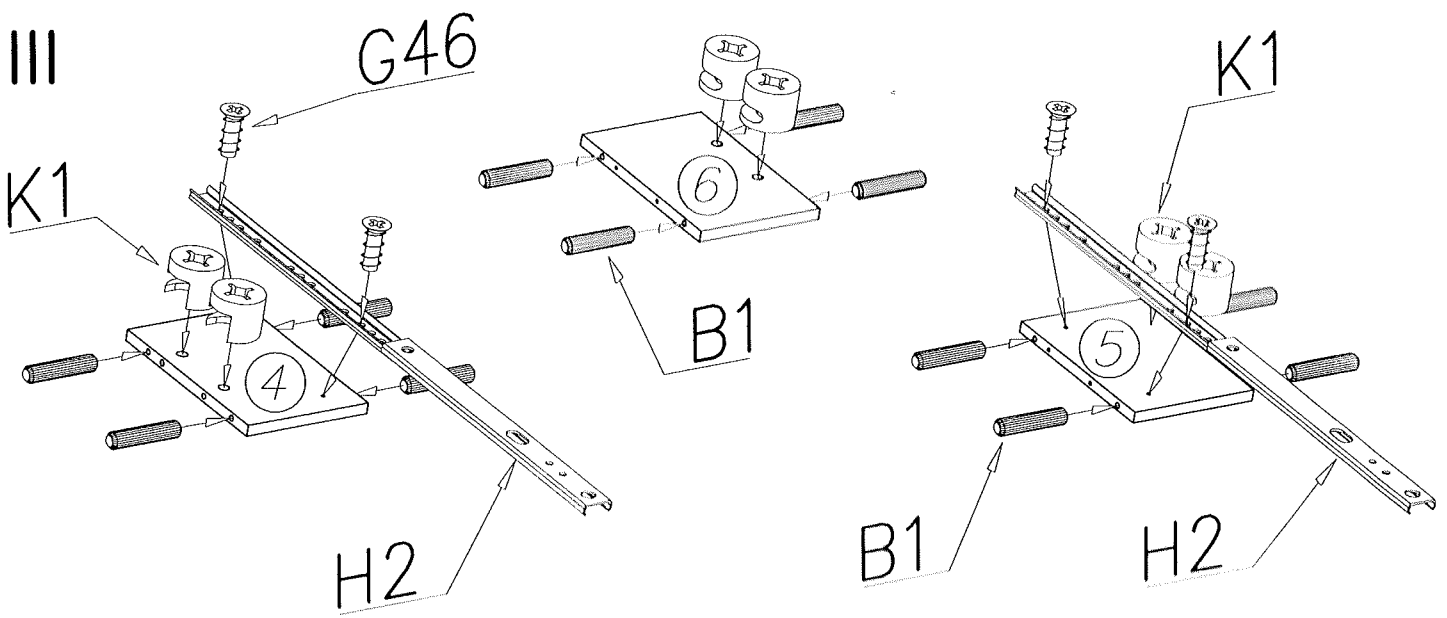


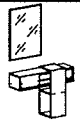
I



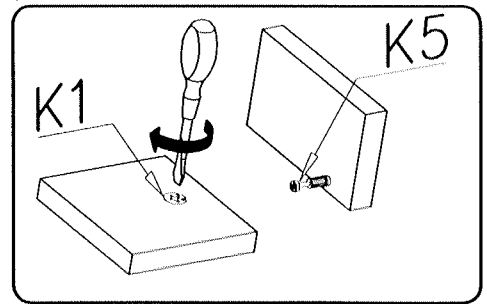
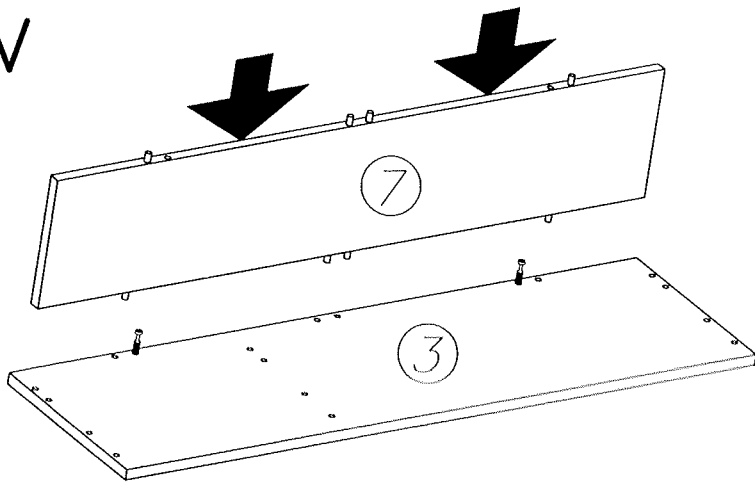
II



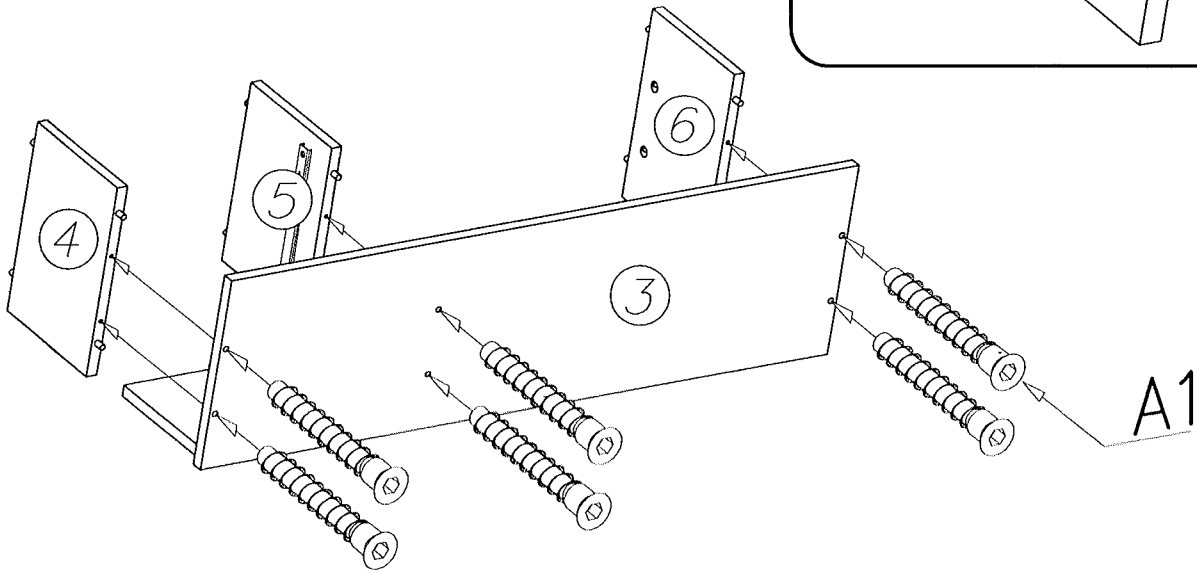




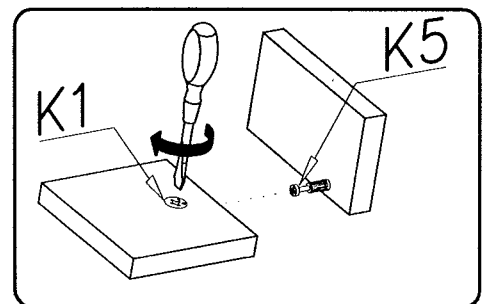
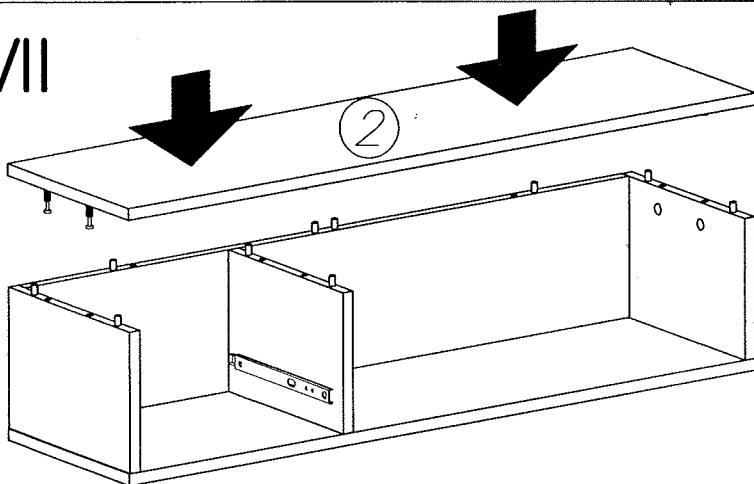
V



VI

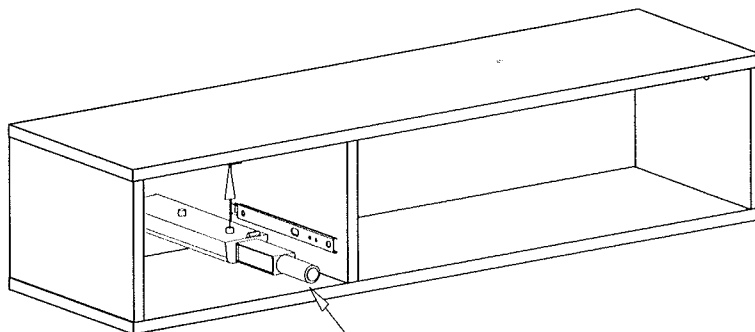


VII

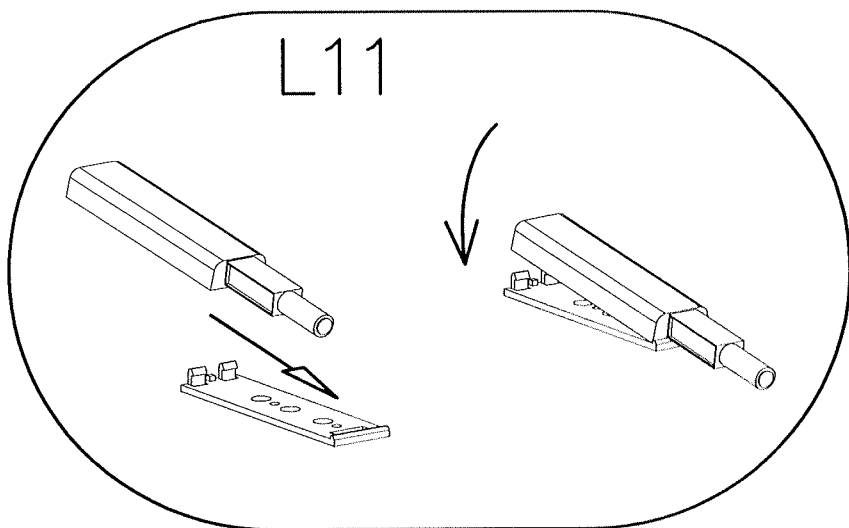




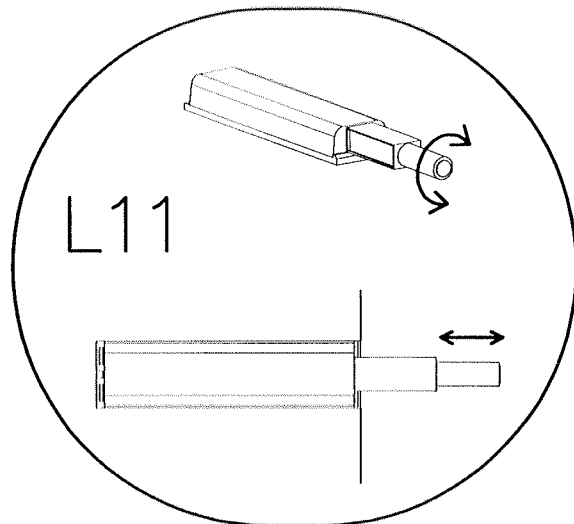
VIII



L11

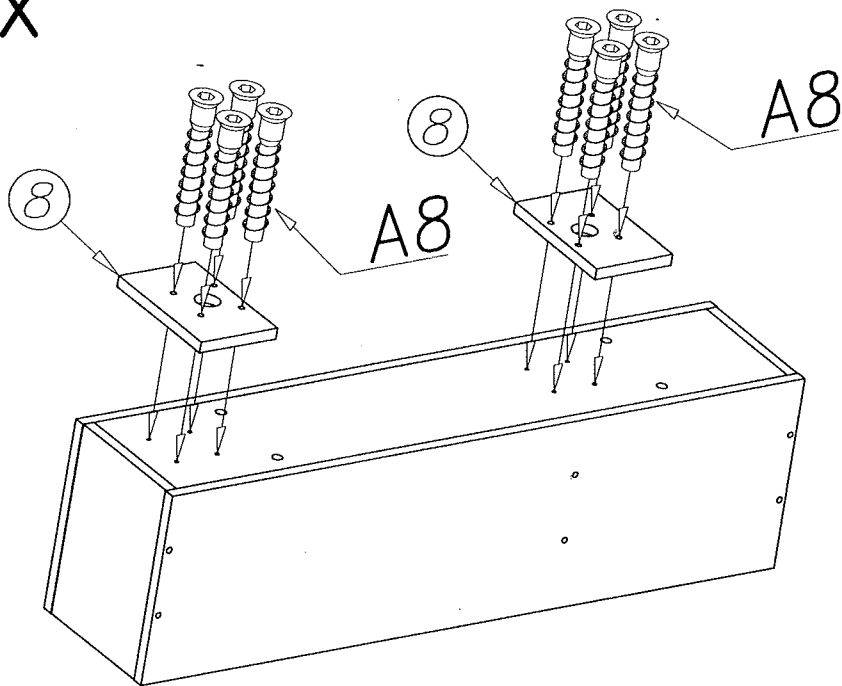


L11



L11

IX

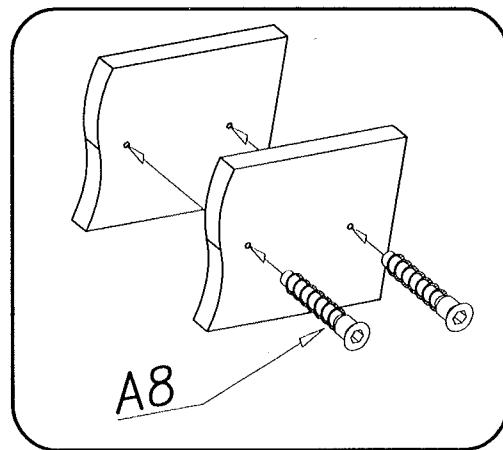


A8

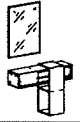
A8

8

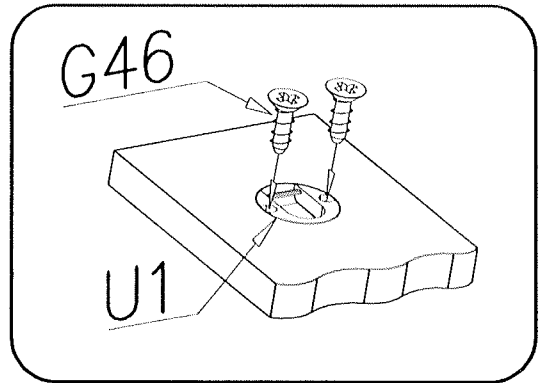
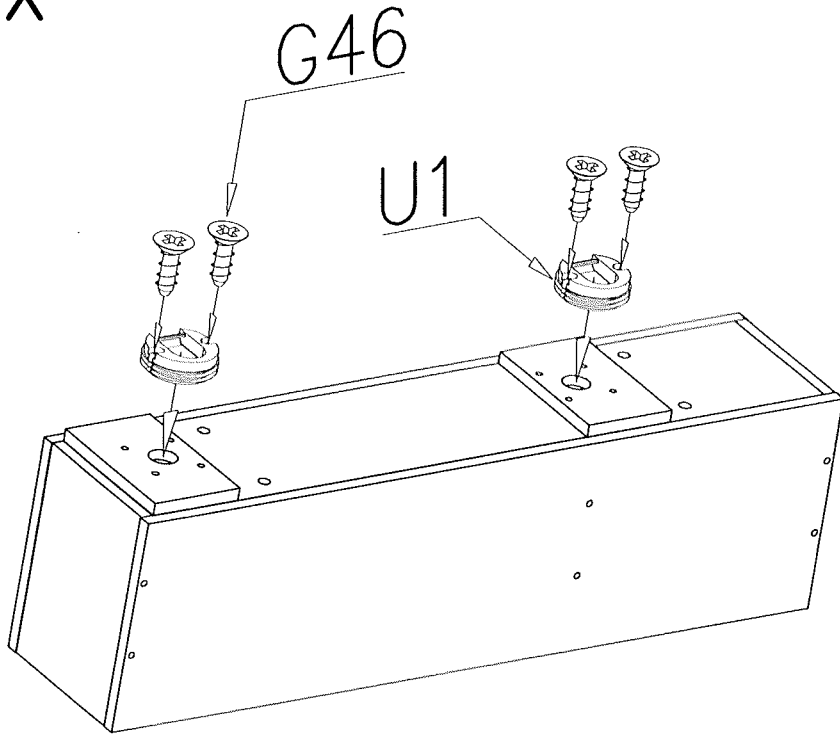
8



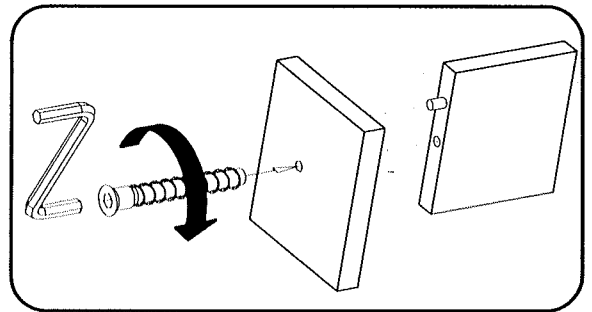
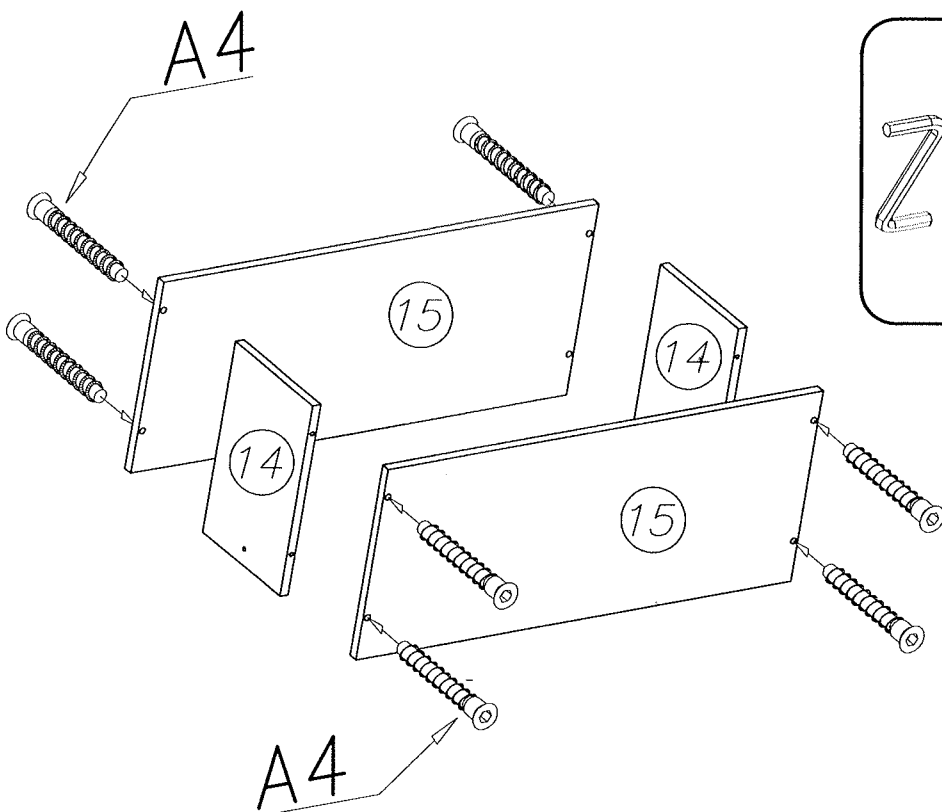
A8

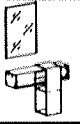


X

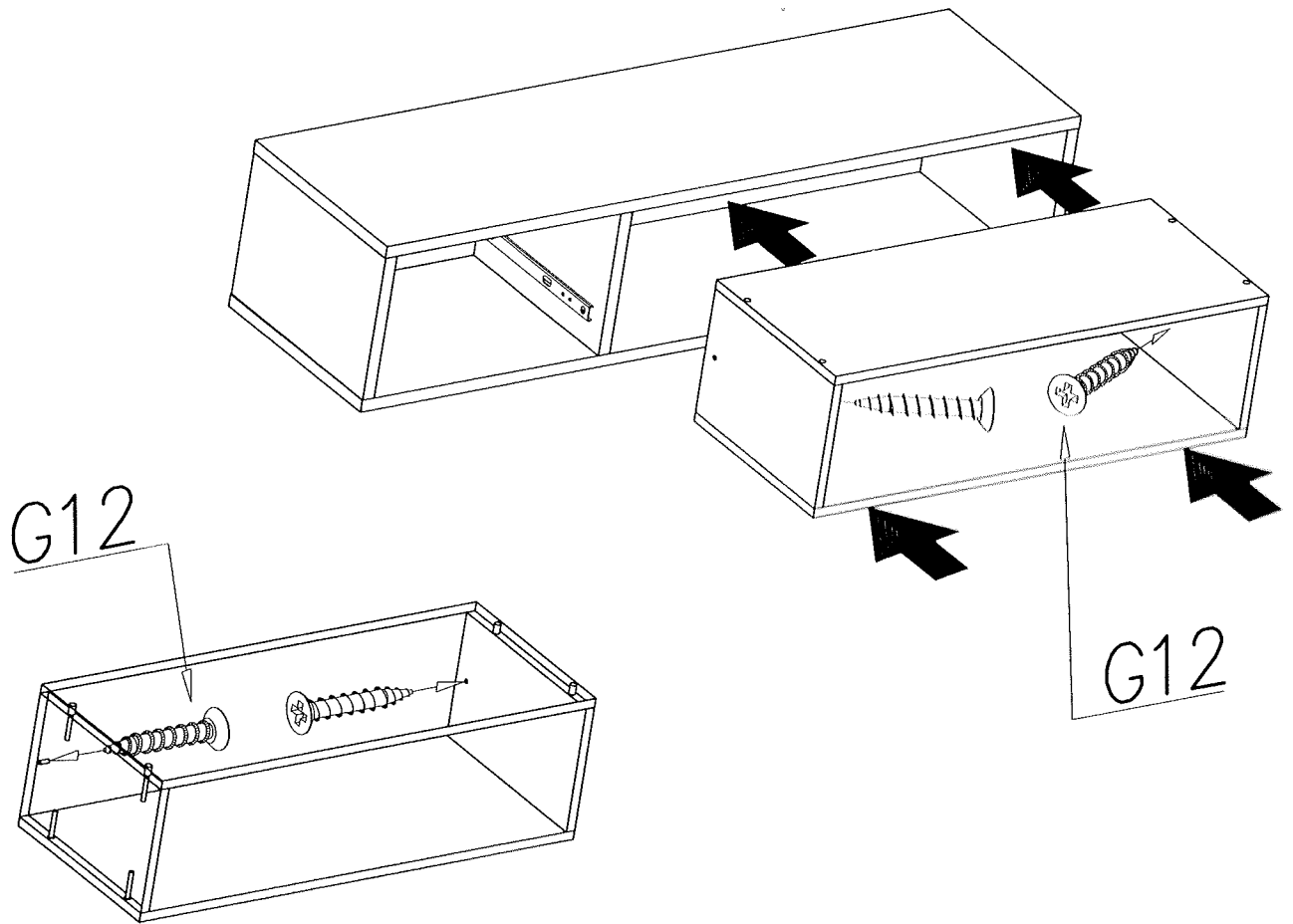


XI

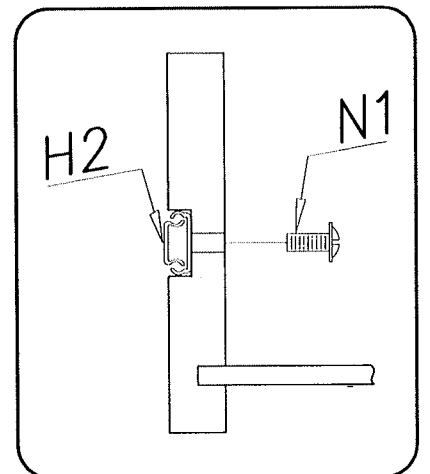
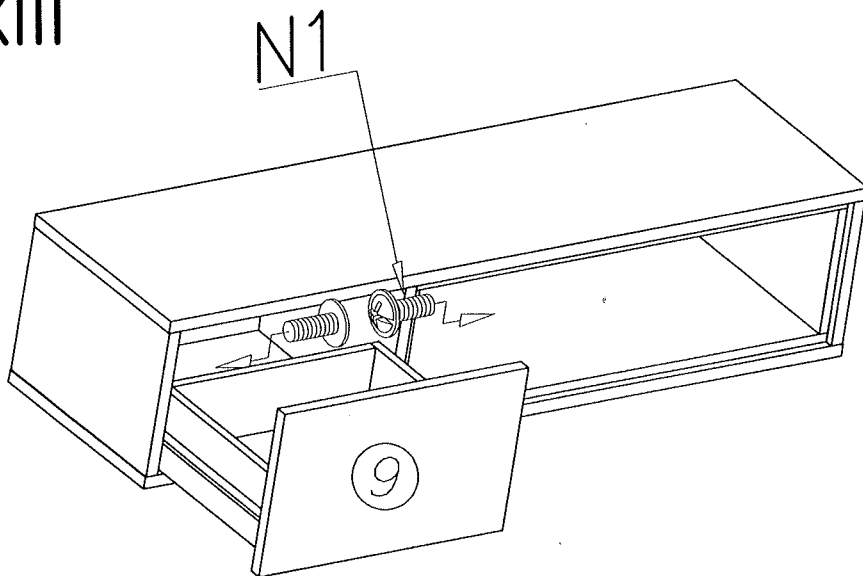


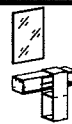


XII

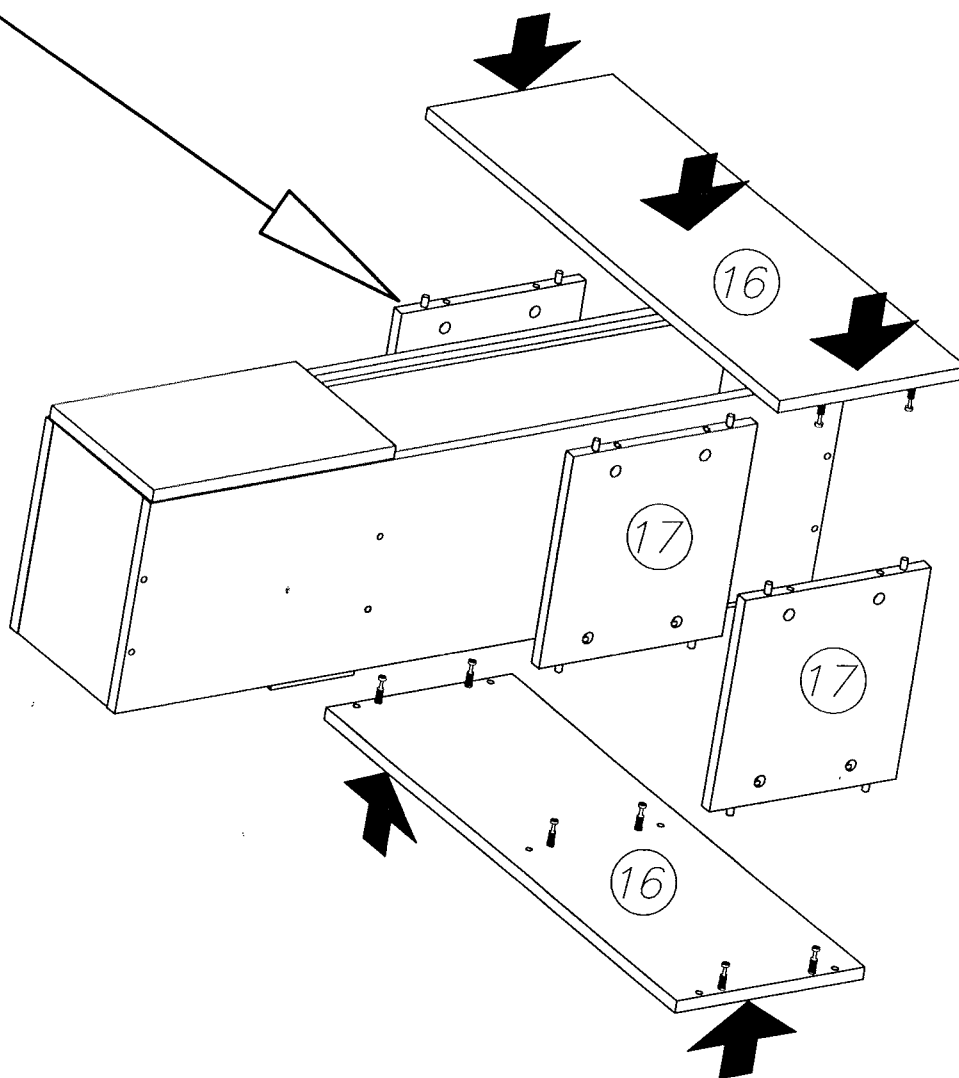
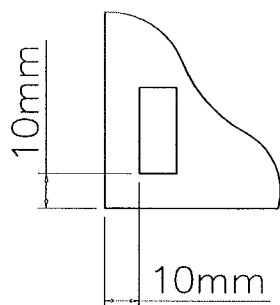
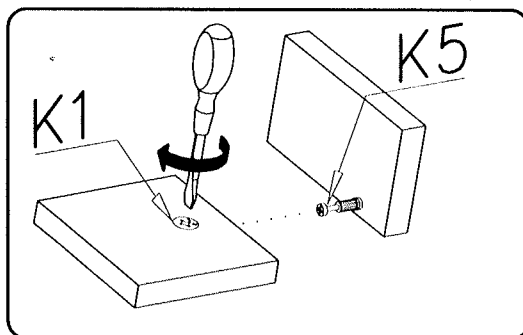
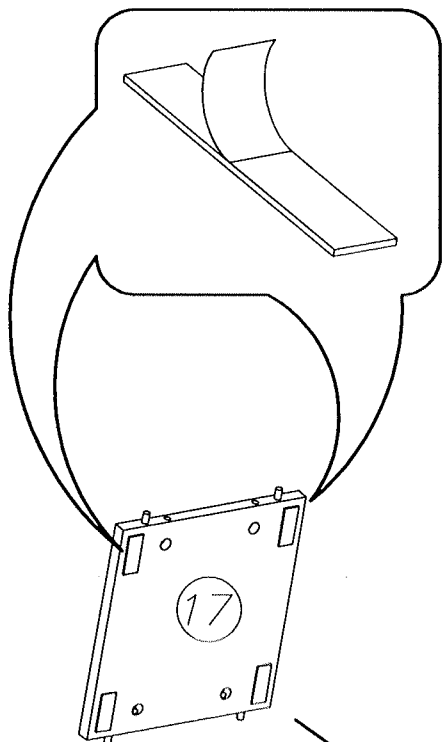


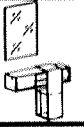
XIII



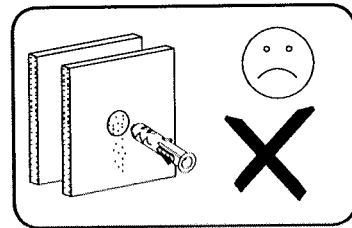
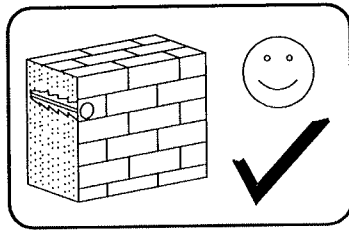
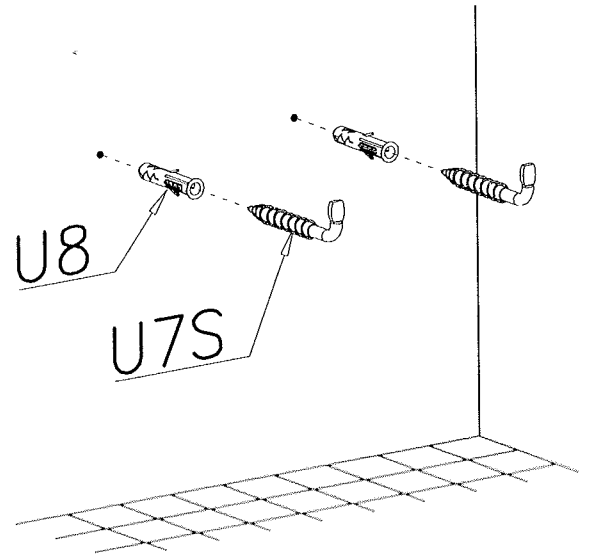
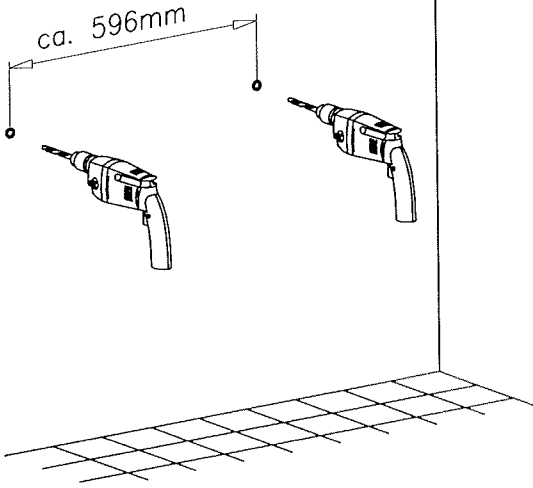


XIV

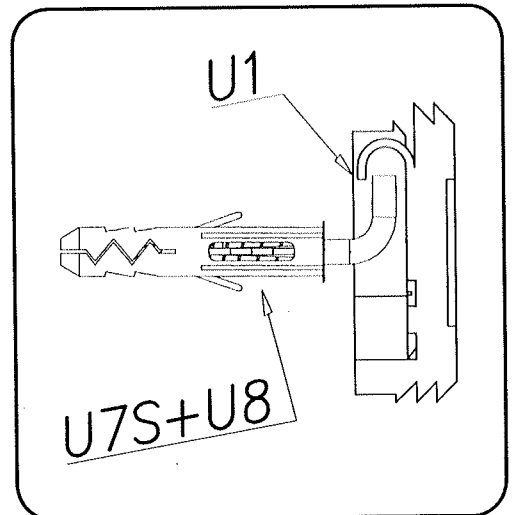
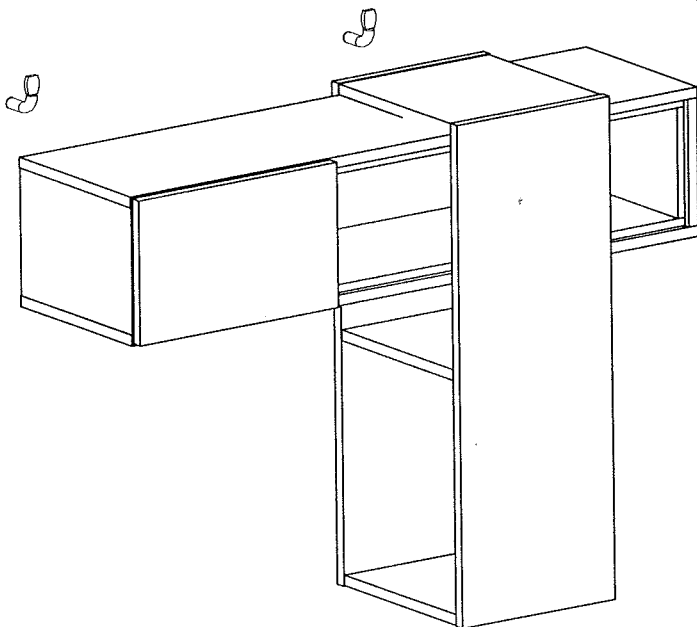


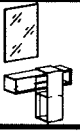


# XV

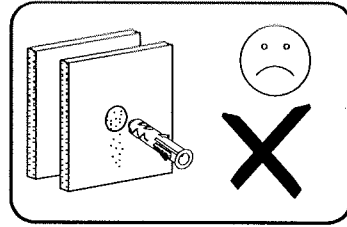
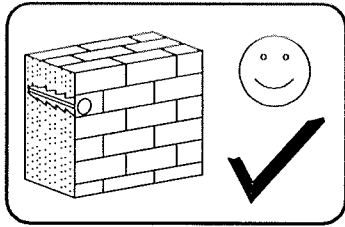
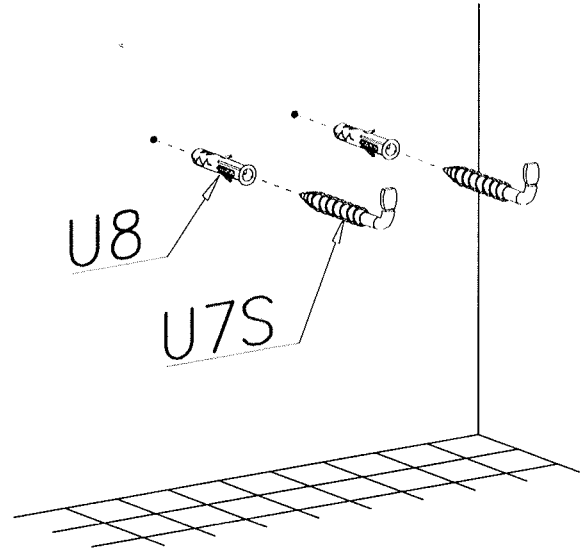
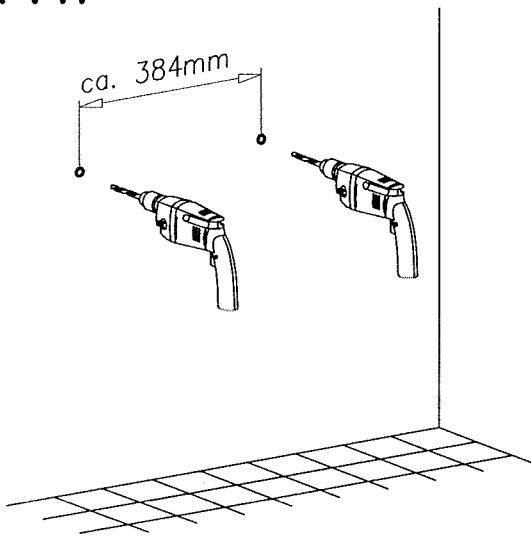


# XVI





# XVII



# XVIII

