

INTRODUCTION

Thank you for choosing the Storage Cabinet. Please read this user manual carefully and keep it for future reference. If you need any assistance, please contact us by email with your order number and details.


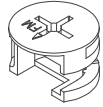


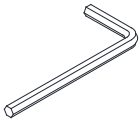
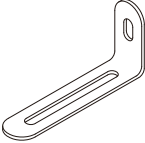




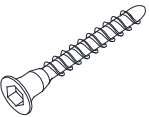

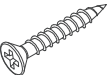
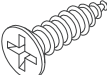
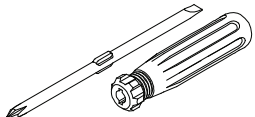
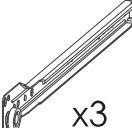
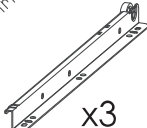
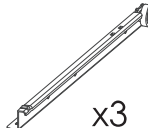
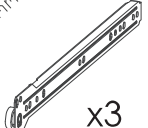
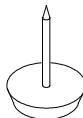
PACKAGE CONTENTS

- Storage Cabinet
- Pack of Accessories
- User Manual

PRODUCT CARE

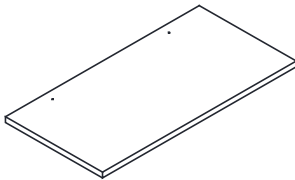
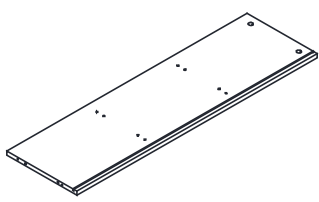
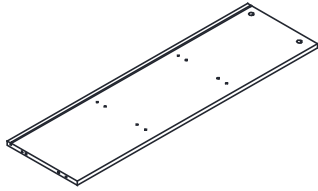
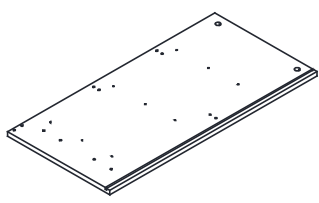
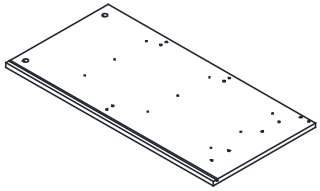
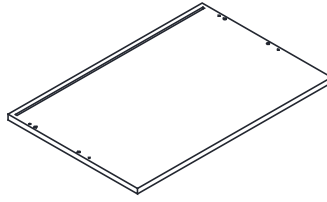
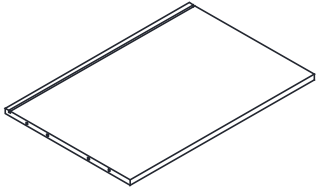
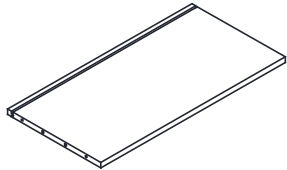
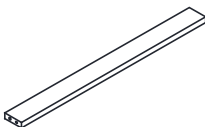
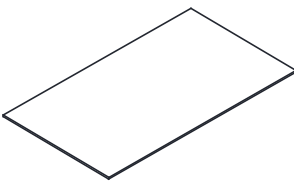
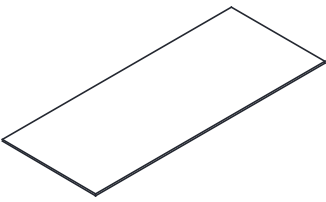
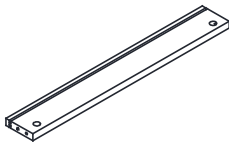
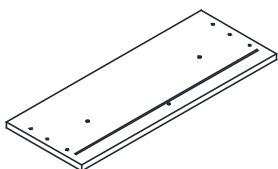
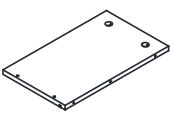
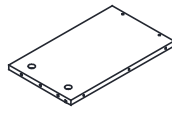
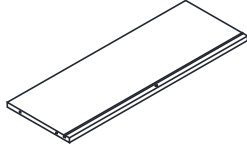
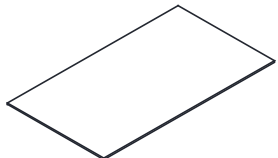
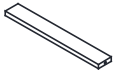
- Please follow the instruction to assemble this item correctly.
- Don't make the screws be too loose or too tight.
- Please put the screws into the holes' position just as shown in the arrows of the image, and then clockwise rotate 90° or 180°
- The fittings pack contains small accessories that should be kept away from small children.

HARDWARE SUPPLIED

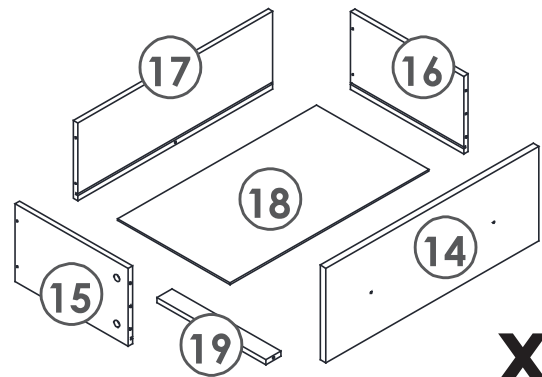
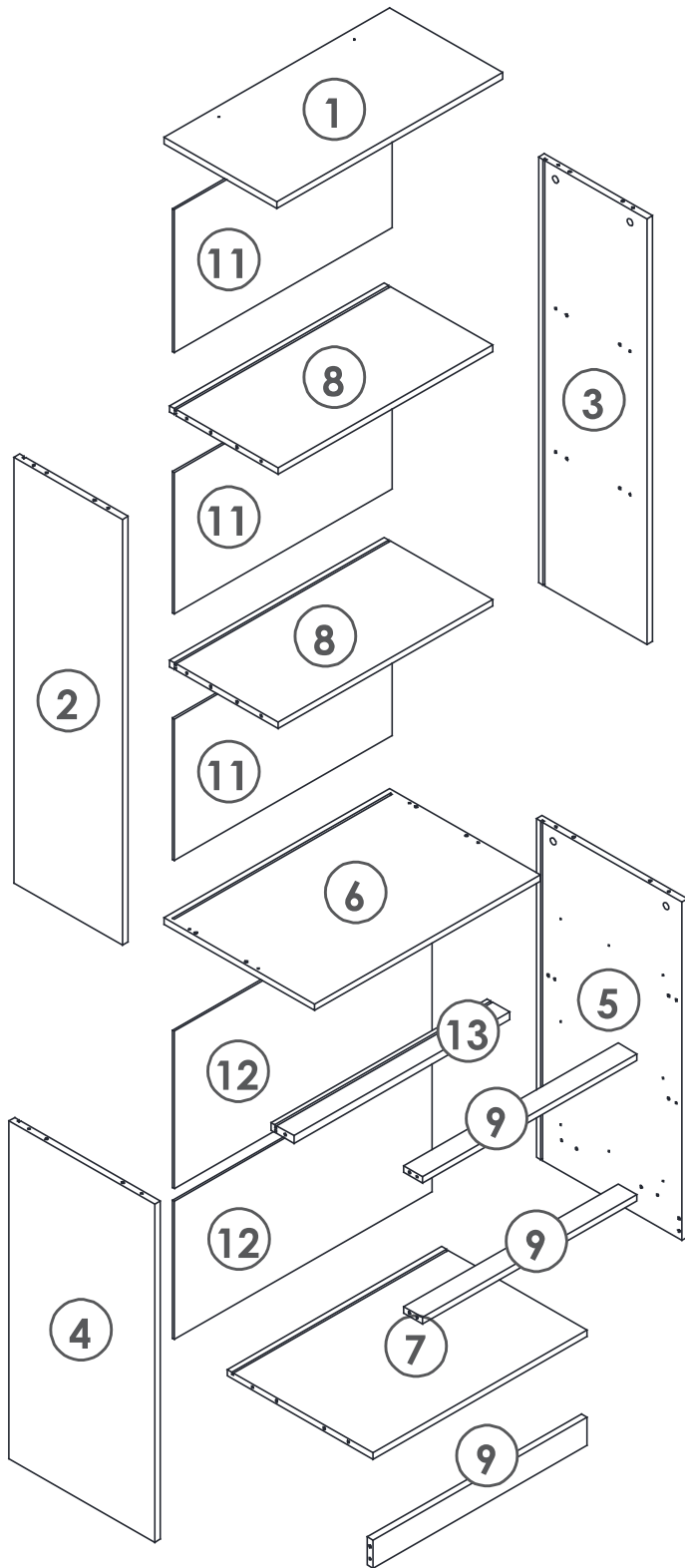
A 6.5*35mm  x45	B 15*9.5mm  x45	C 6*30mm  x40	D M3*16mm  x21	E M4*57mm  x1
F F1  x2	F F2  x2	G 28*22mm  x6	H 4*18mm  x6	I 14*15*11mm  x21
J #9.5*M5*46mm  x4	K 6*35mm  x2	L M4*35mm  x18	M M3.5*14mm  x38	O  x1
NN (CL)  x3	N (DL) 12Inch/300mm  x3	N (DR)  x3	N (CR) 12Inch/300mm  x3	P 13.8*18*4mm  x4

PARTS LIST

Unit: (mm)

<p>① 600*298</p>  <p>x1</p>	<p>② 986*288</p>  <p>x1</p>	<p>③ 986*288</p>  <p>x1</p>	<p>④ 788*388</p>  <p>x1</p>
<p>⑤ 788*388</p>  <p>x1</p>	<p>⑥ 600*398</p>  <p>x1</p>	<p>⑦ 569*387</p>  <p>x1</p>	<p>⑧ 569*287</p>  <p>x2</p>
<p>⑨ 569*65</p>  <p>x3</p>	<p>⑪ 577*327</p>  <p>x3</p>	<p>⑫ 577*355</p>  <p>x2</p>	<p>⑬ 569*65</p>  <p>x1</p>
<p>⑭ 564*221</p>  <p>x3</p>	<p>⑮ 300*180</p>  <p>x3</p>	<p>⑯ 300*180</p>  <p>x3</p>	<p>⑰ 519*180</p>  <p>x3</p>
<p>⑱ 527*294</p>  <p>x3</p>	<p>⑲ 286*50</p>  <p>x3</p>		

PANEL LAYOUT

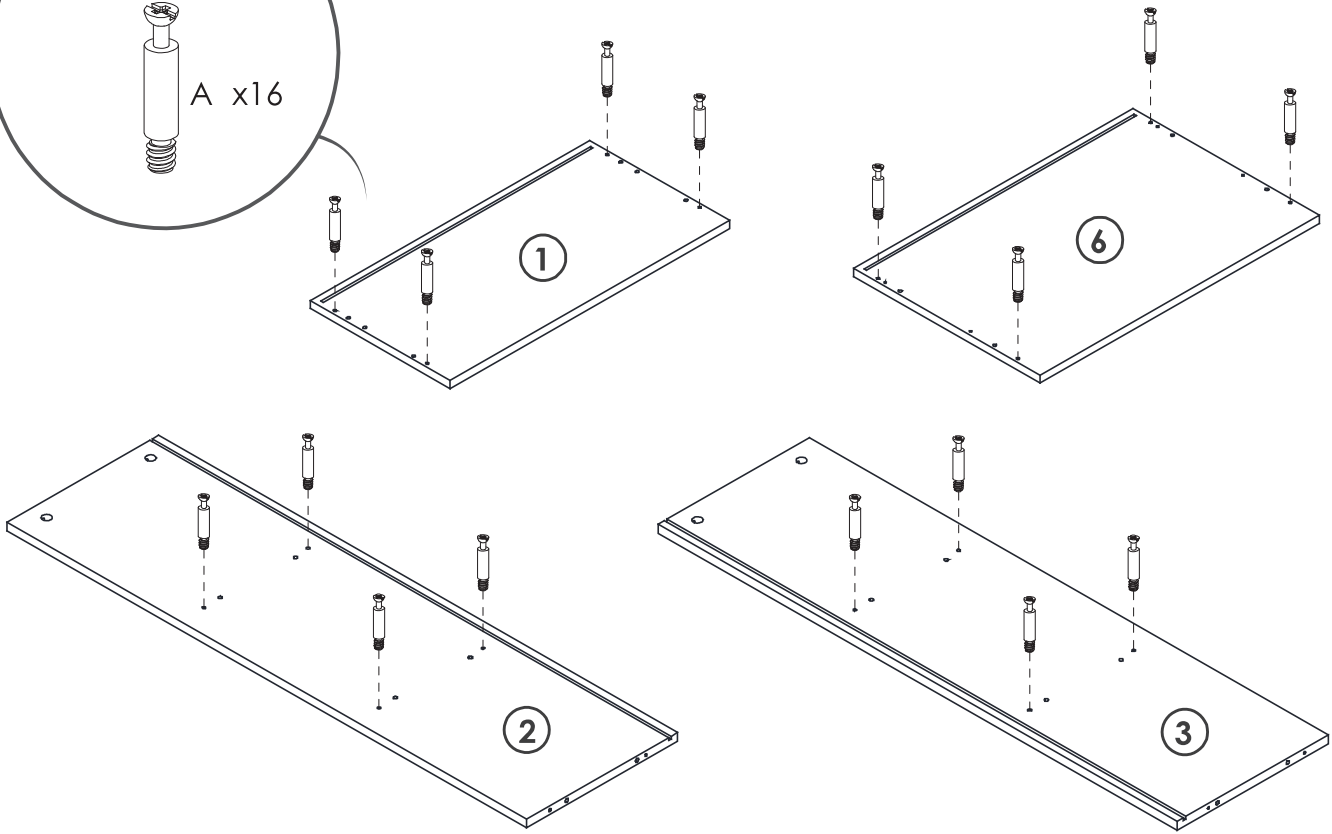
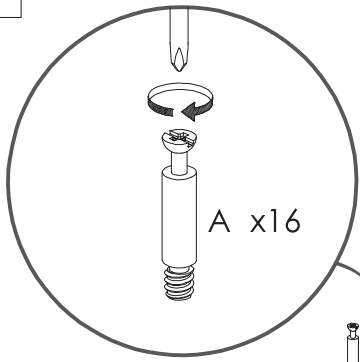


x3

1

YOU WILL NEED

A x16

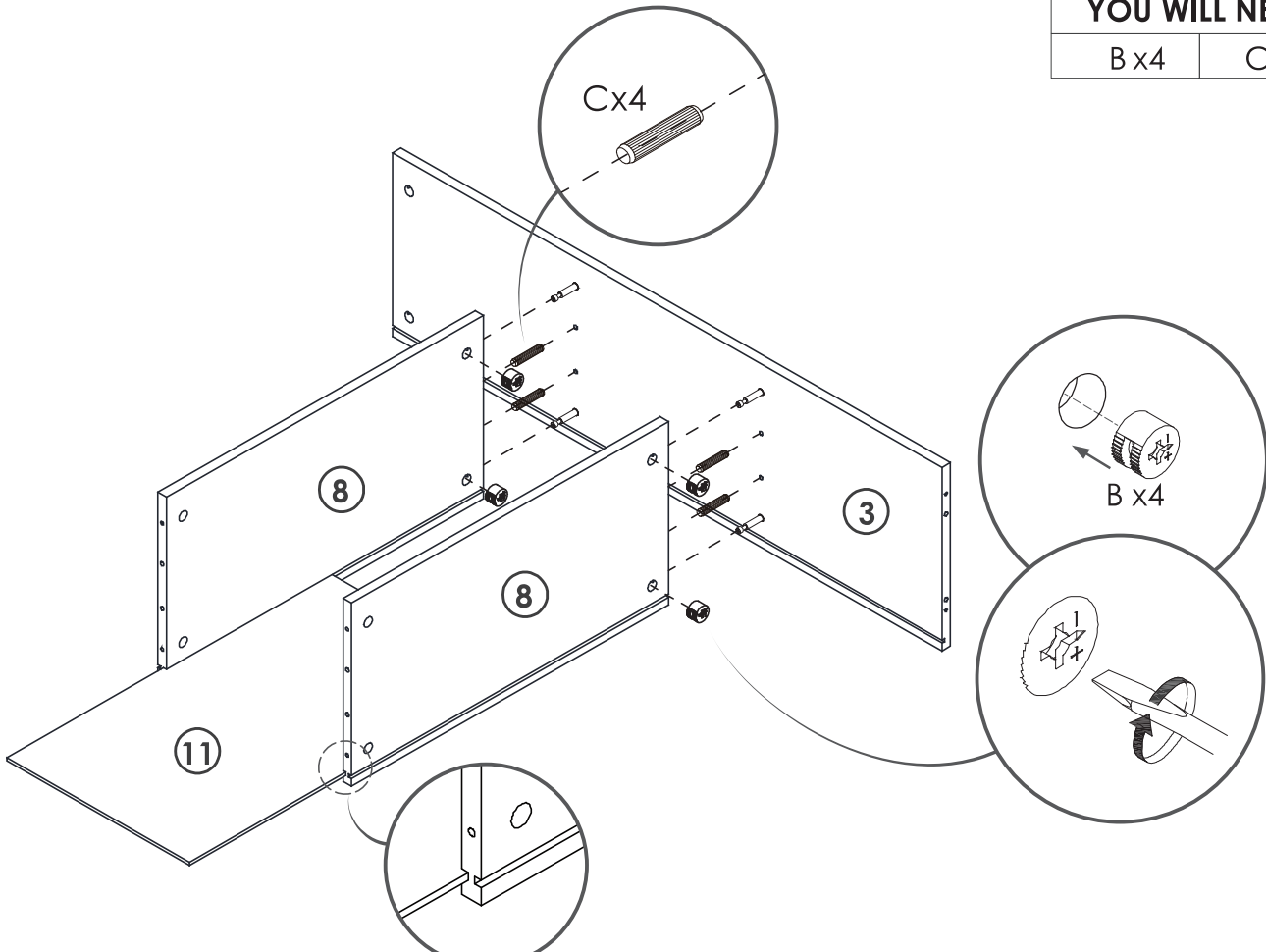
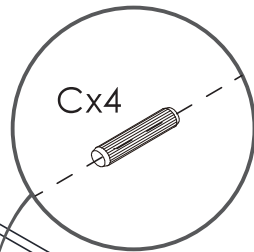


2

YOU WILL NEED

B x4

C x4

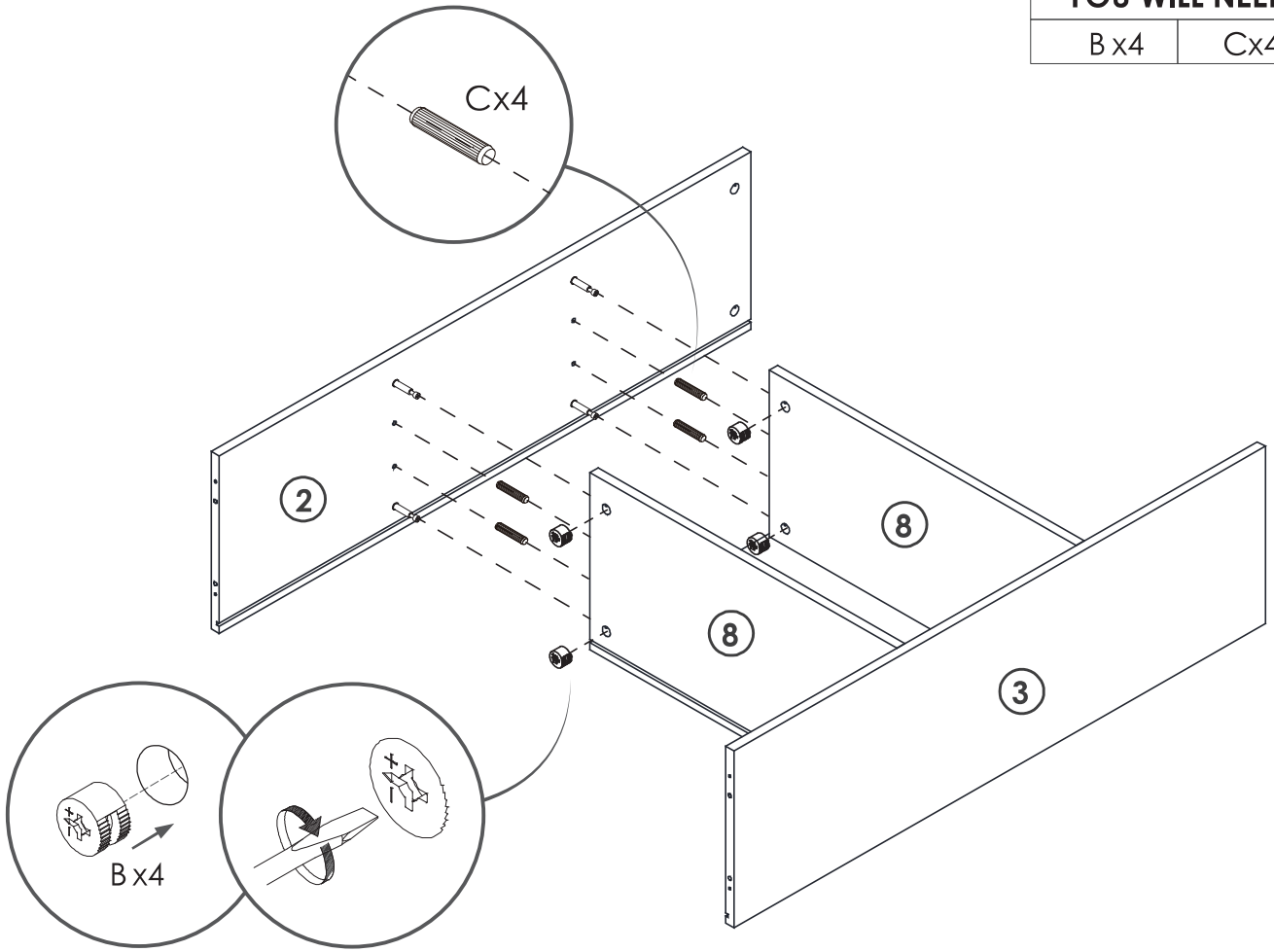


3

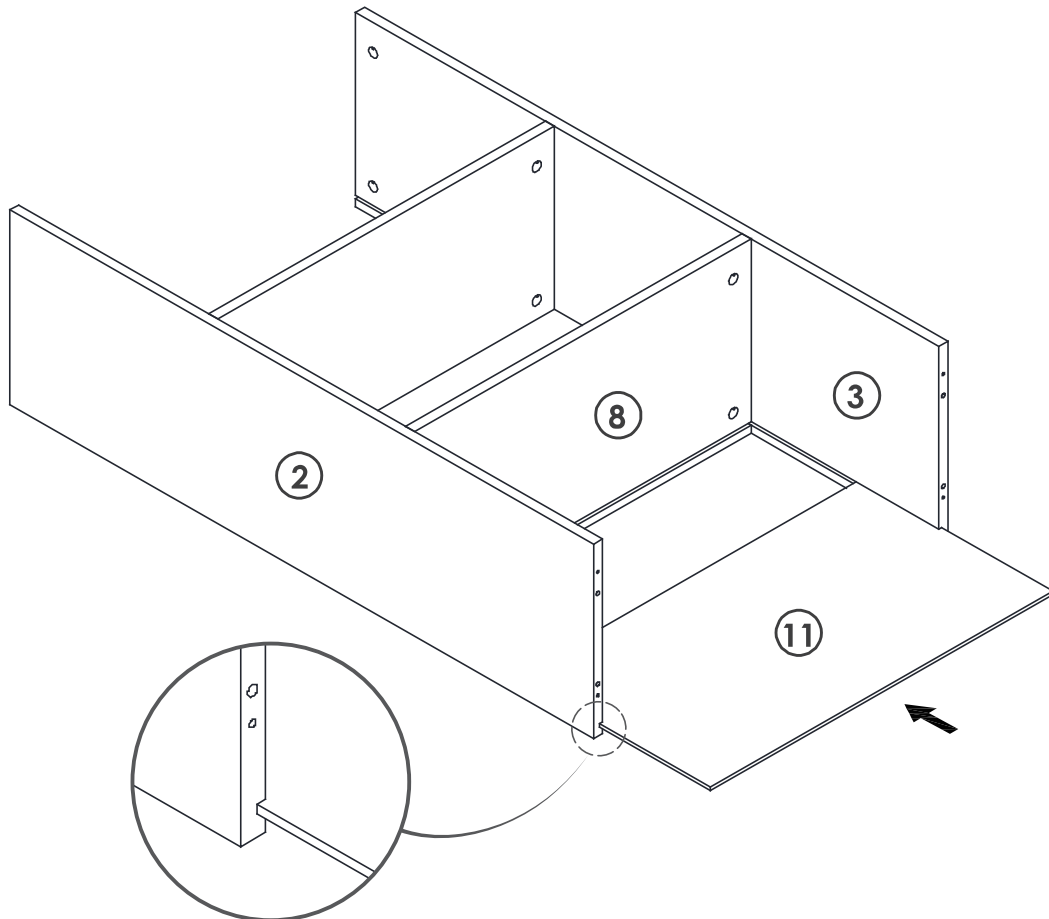
YOU WILL NEED

B x4

C x4



4



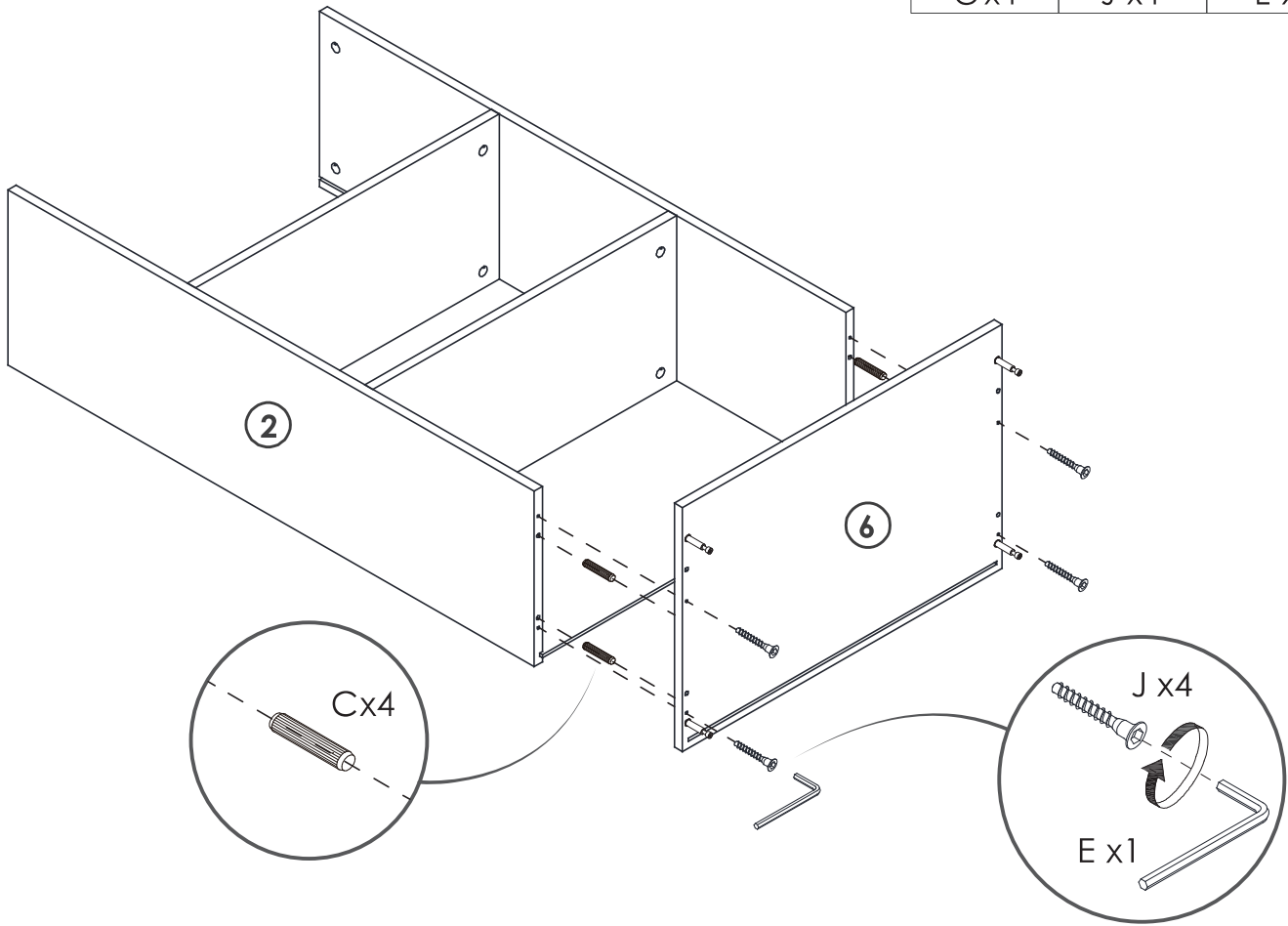
5

YOU WILL NEED

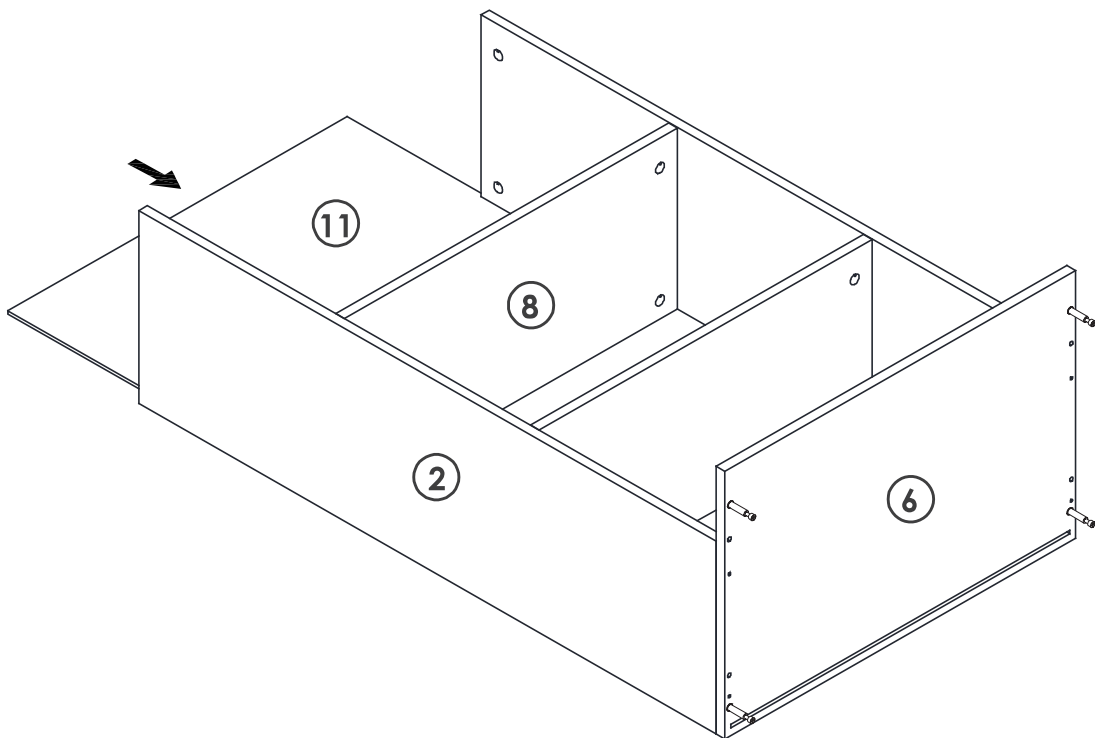
C x4

J x4

E x1



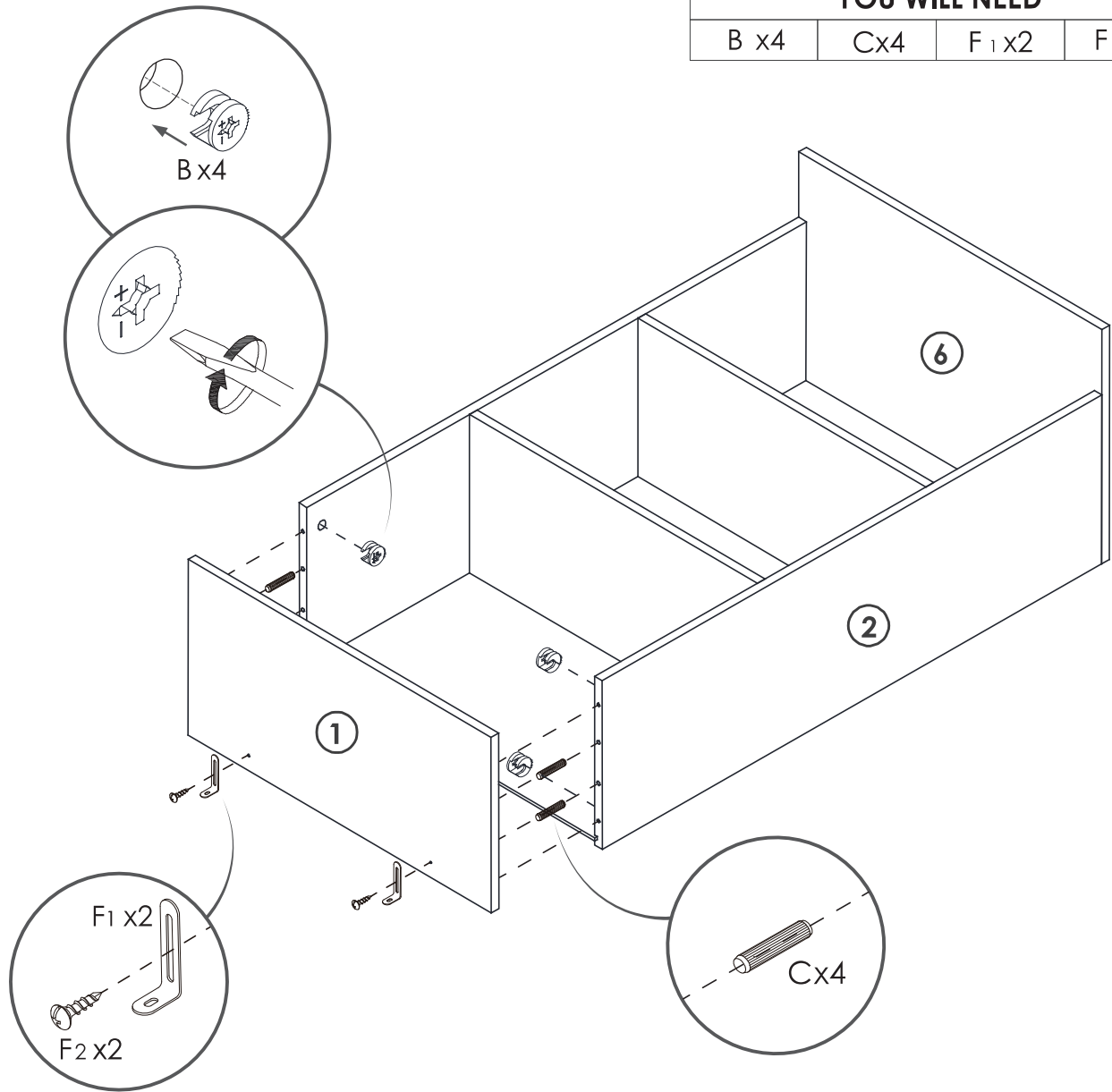
6



7

YOU WILL NEED

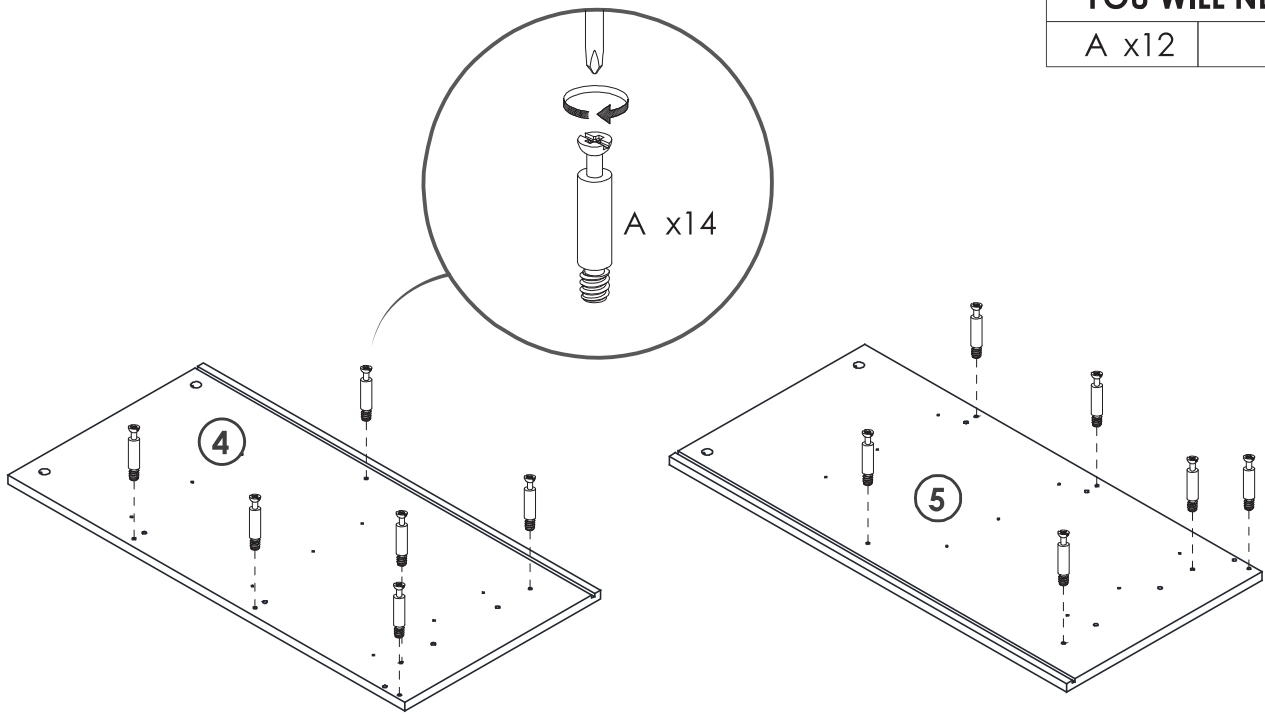
B x4	Cx4	F ₁ x2	F ₂ x2
------	-----	-------------------	-------------------



8

YOU WILL NEED

A x12	
-------	--

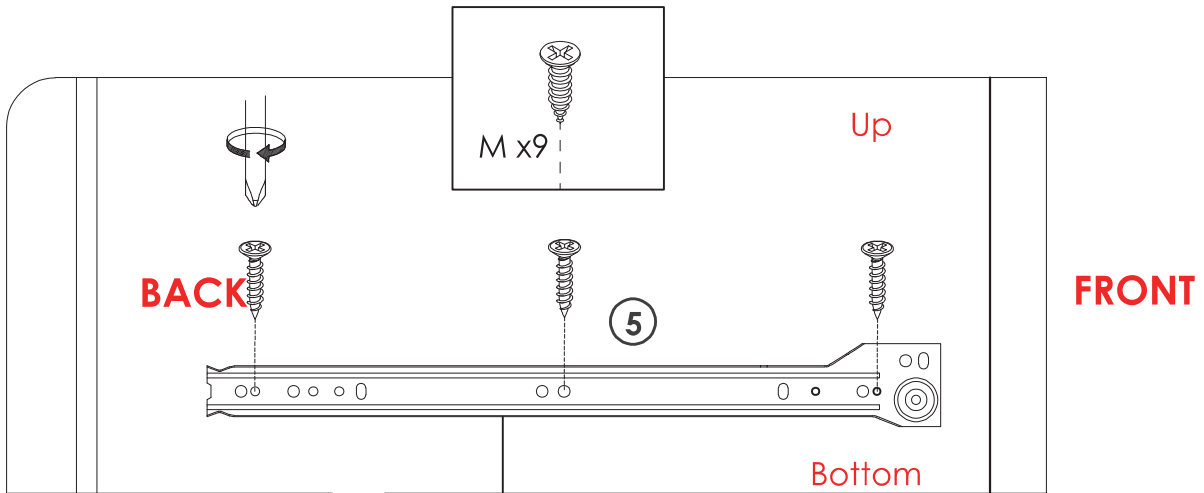


YOU WILL NEED

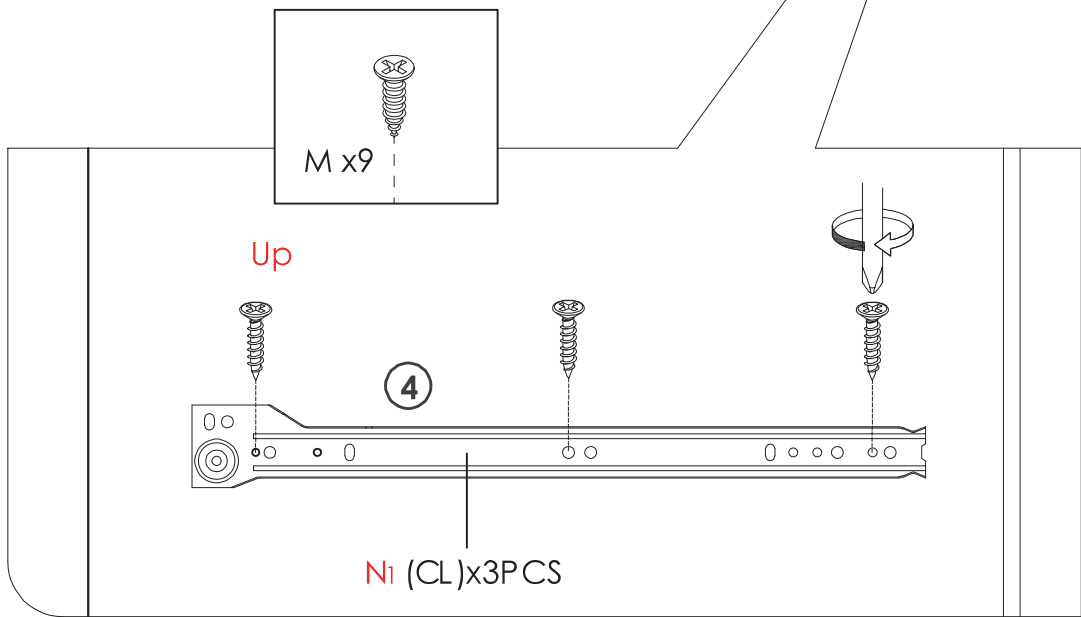
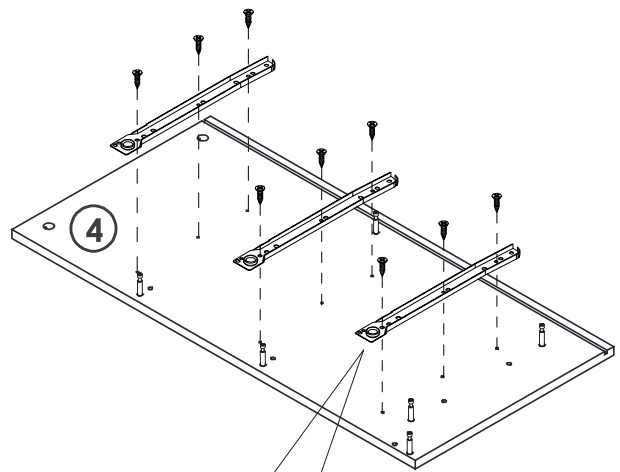
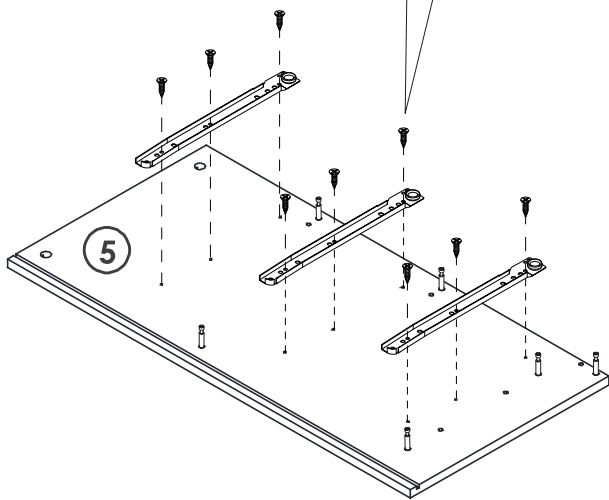
M x18

N₁(CL)x3

N₂(CR)x3



N₂ (CR)x3PCS



N₁ (CL)x3PCS

FRONT

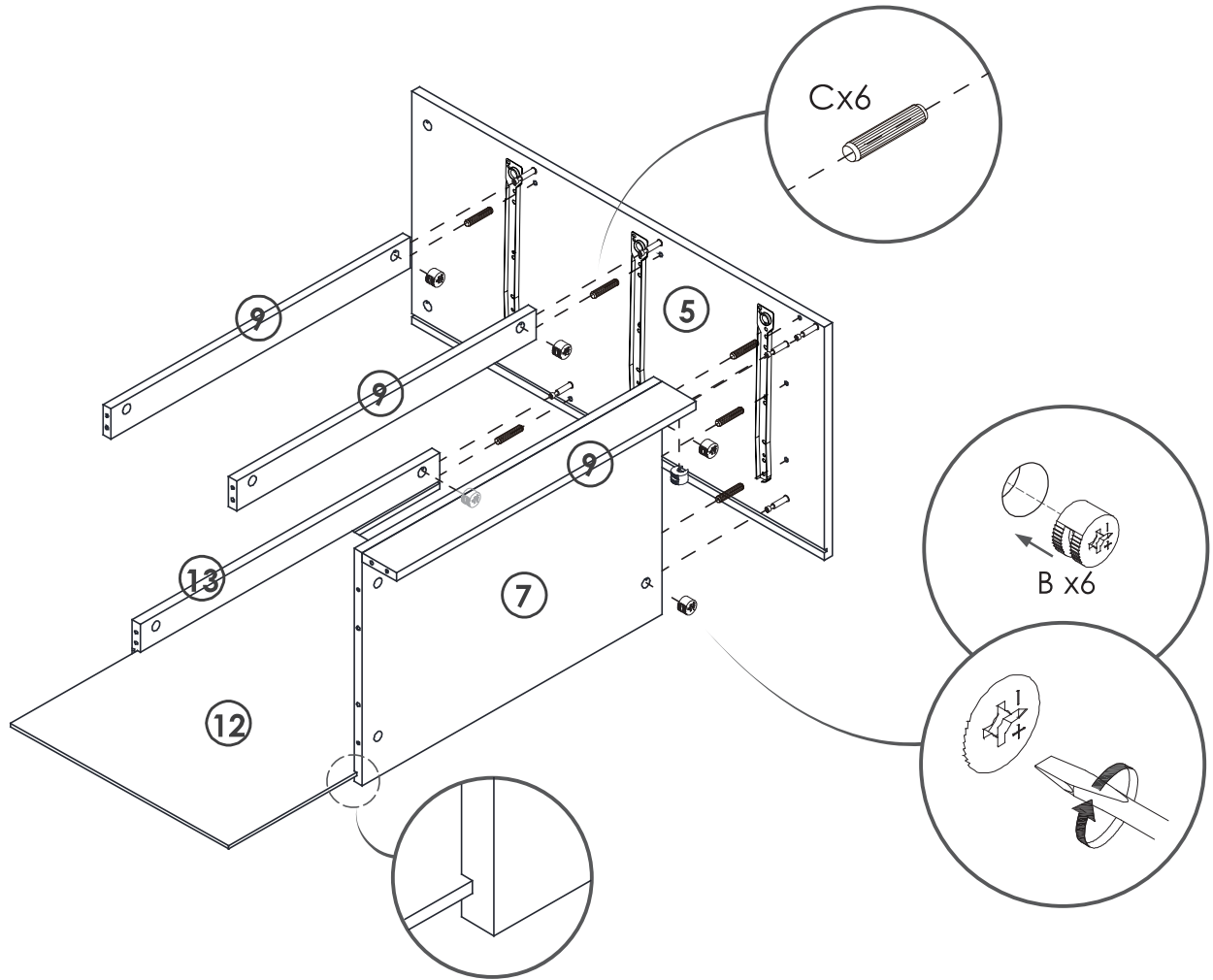
BACK

Bottom

10

YOU WILL NEED

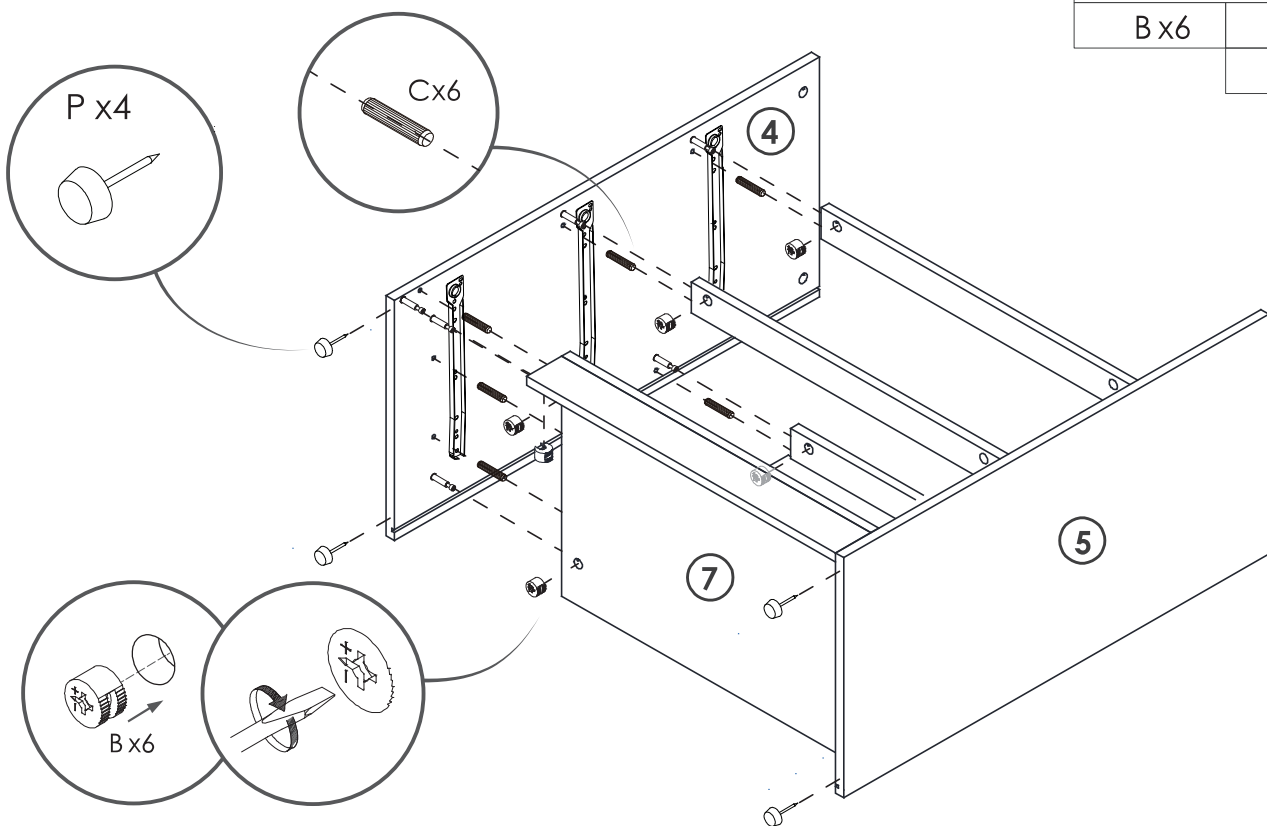
B x6	Cx6
------	-----



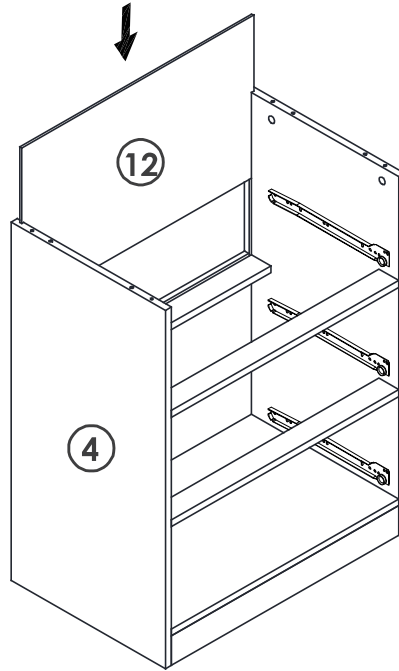
11

YOU WILL NEED

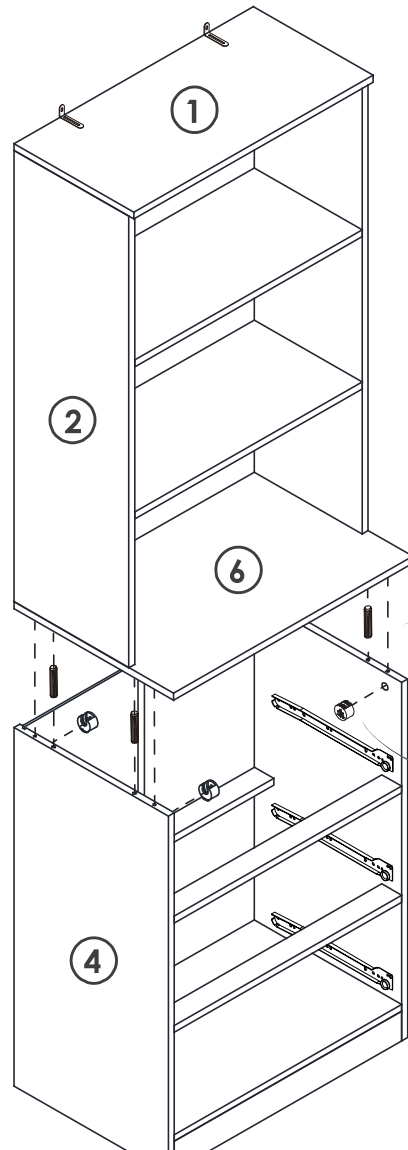
B x6	Cx6
	Px4



12



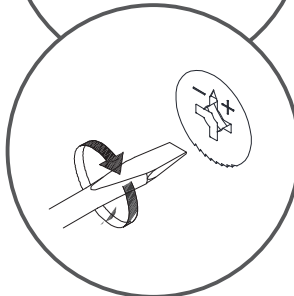
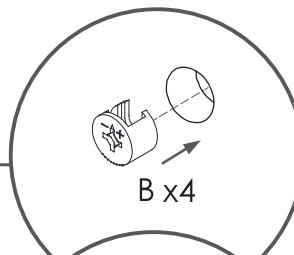
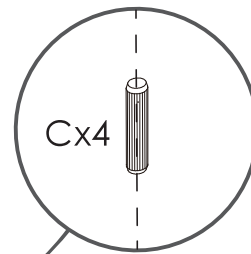
13



YOU WILL NEED

B x4

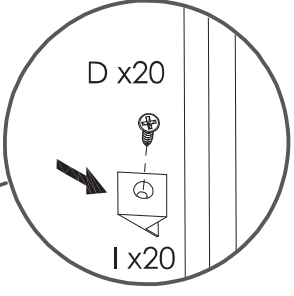
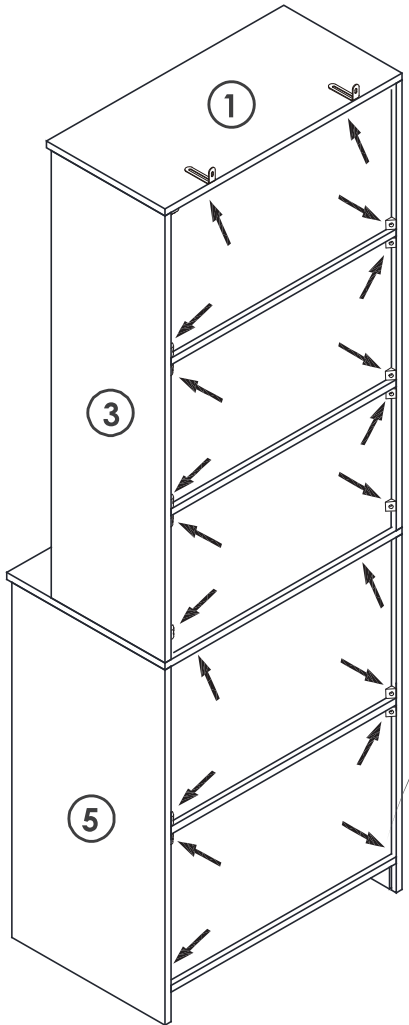
Cx4



14

YOU WILL NEED

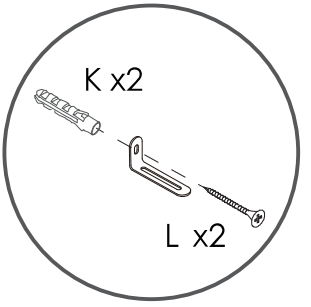
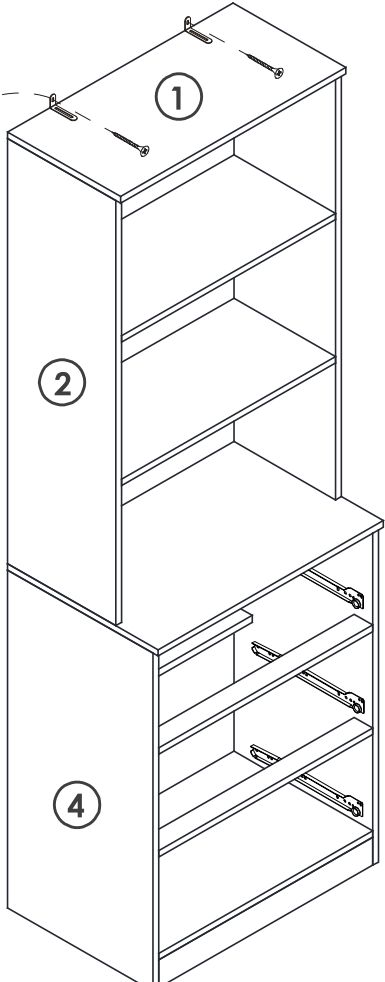
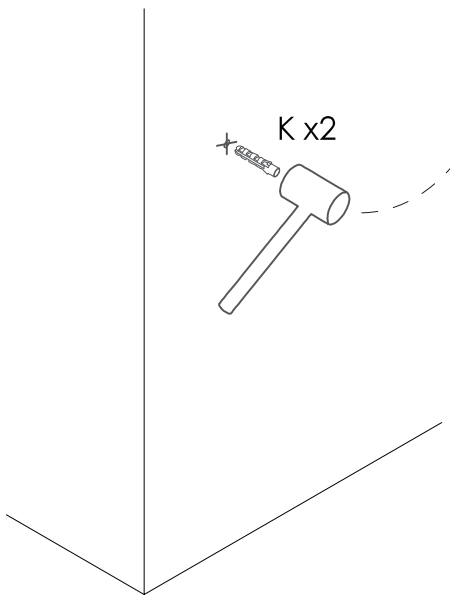
D x20	I x20
-------	-------



YOU WILL NEED

K x2	L x2
------	------

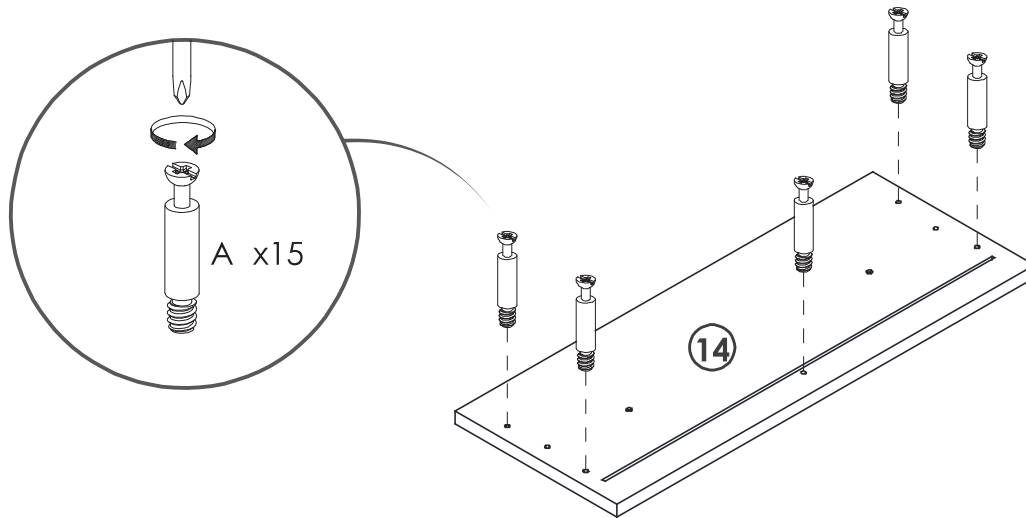
15



16

YOU WILL NEED

A x15

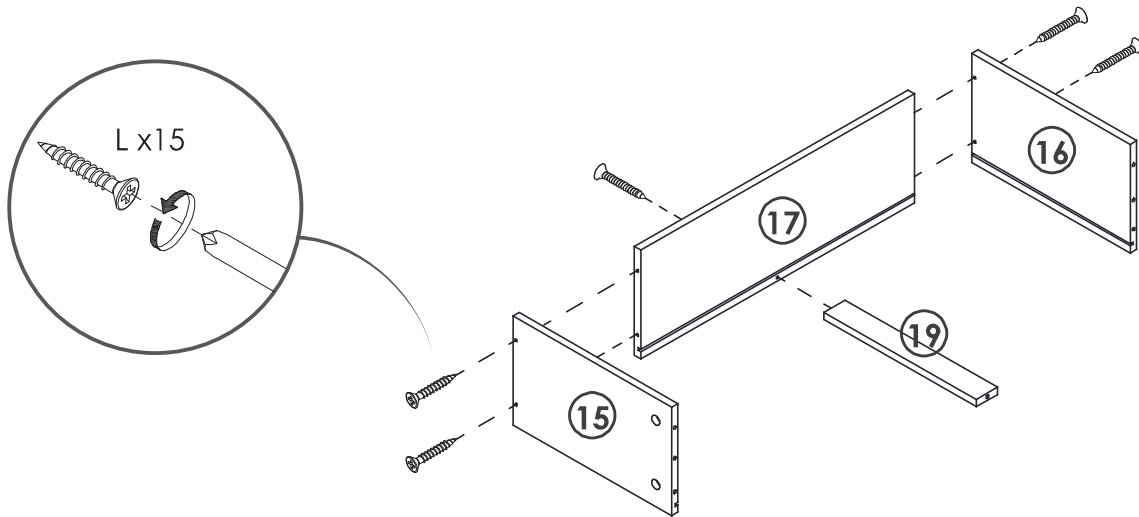


x3

17

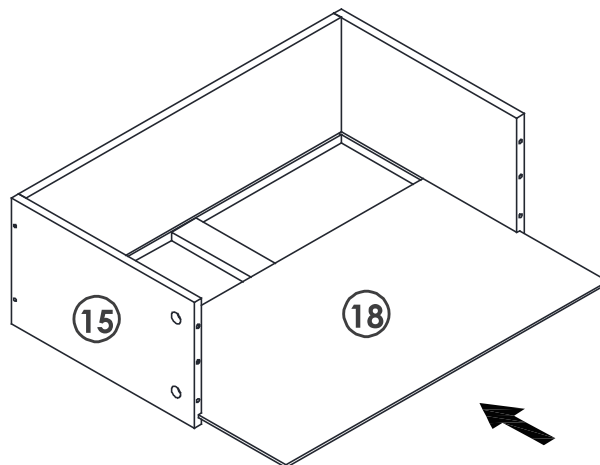
YOU WILL NEED

L x15



x3

18

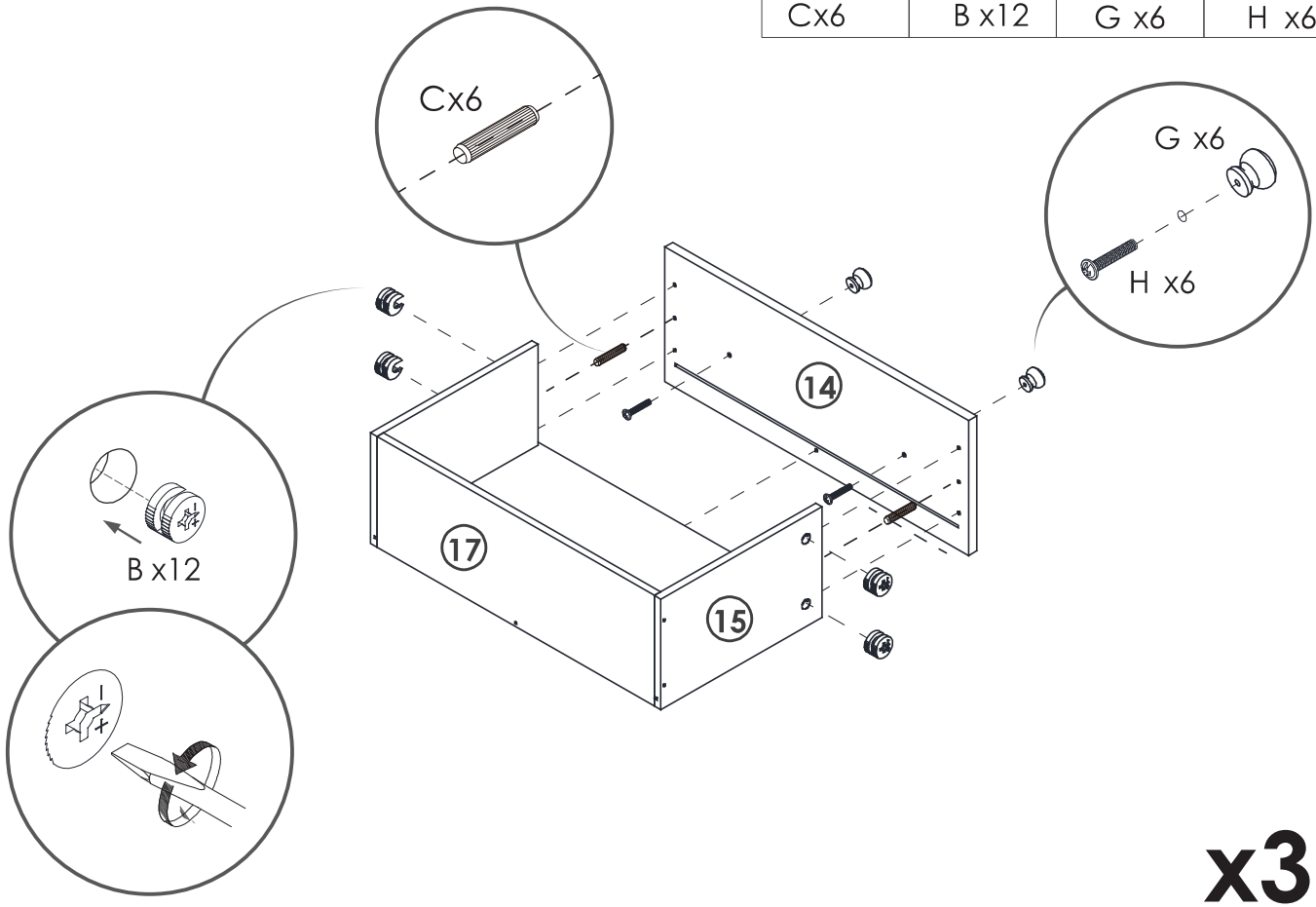


x3

19

YOU WILL NEED

Cx6	B x12	G x6	H x6
-----	-------	------	------

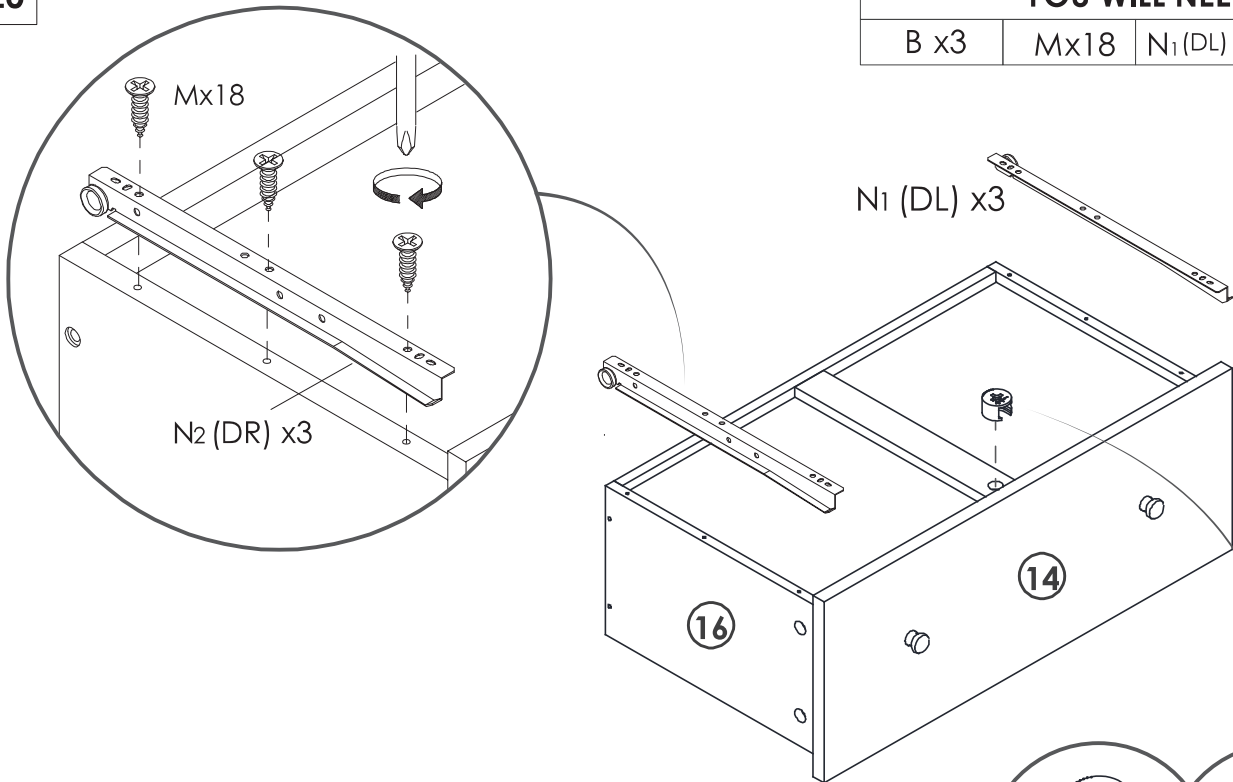


x3

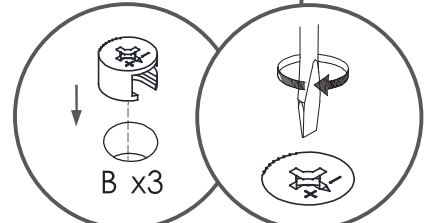
20

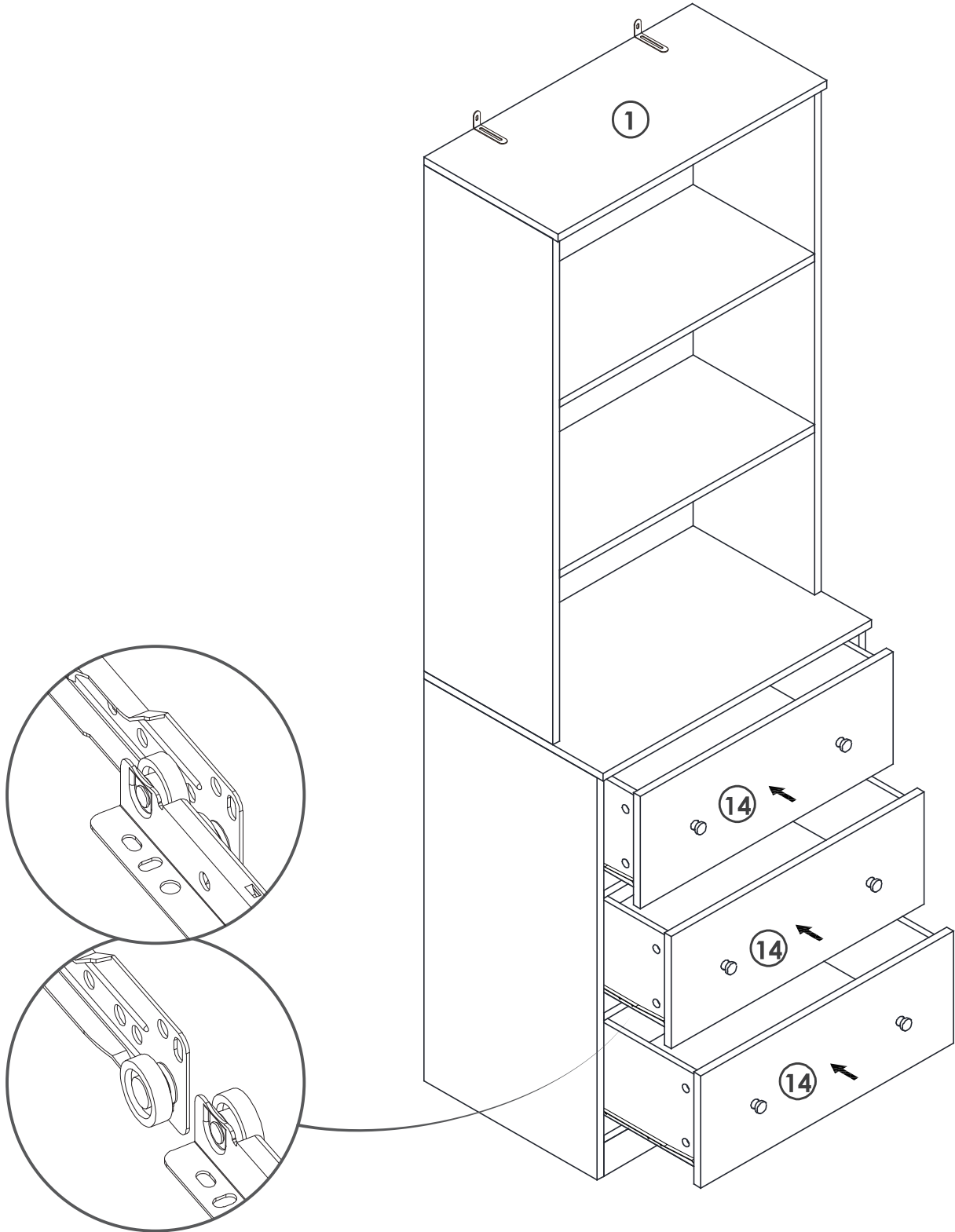
YOU WILL NEED

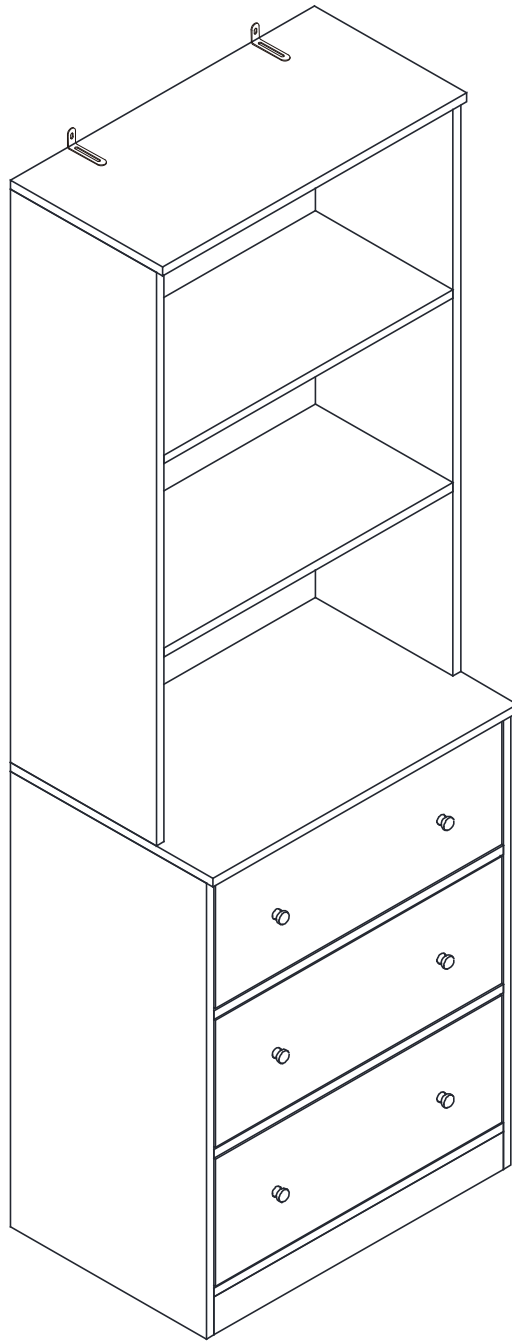
B x3	Mx18	N ₁ (DL) x3	N ₂ (DR) x3
------	------	------------------------	------------------------



x3







GUARANTEE

Storage Cabinet offers a **90-days** warranty that begins on the date of the original purchase and applies to problems caused by the manufacturer. For questions, assistance, or support, please contact the Customer Service by e-mail with your order number and details. We will send you further information about the solution.

Made In VIETNAM

