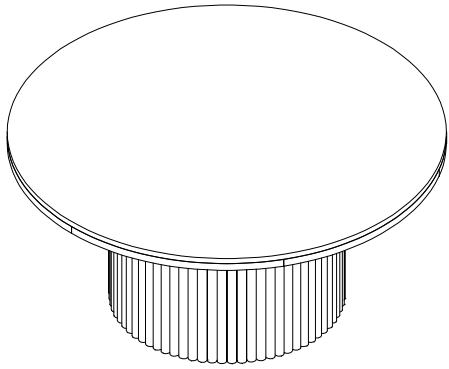
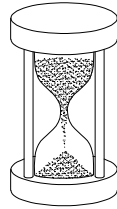


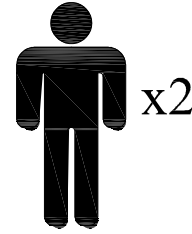
ROUND COCKTAIL TABLE
Packed in 2 cartons



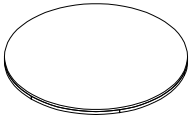

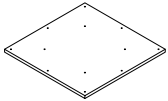

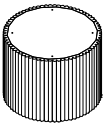

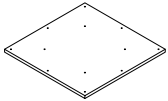

ASSEMBLY INSTRUCTIONS



15 MIN

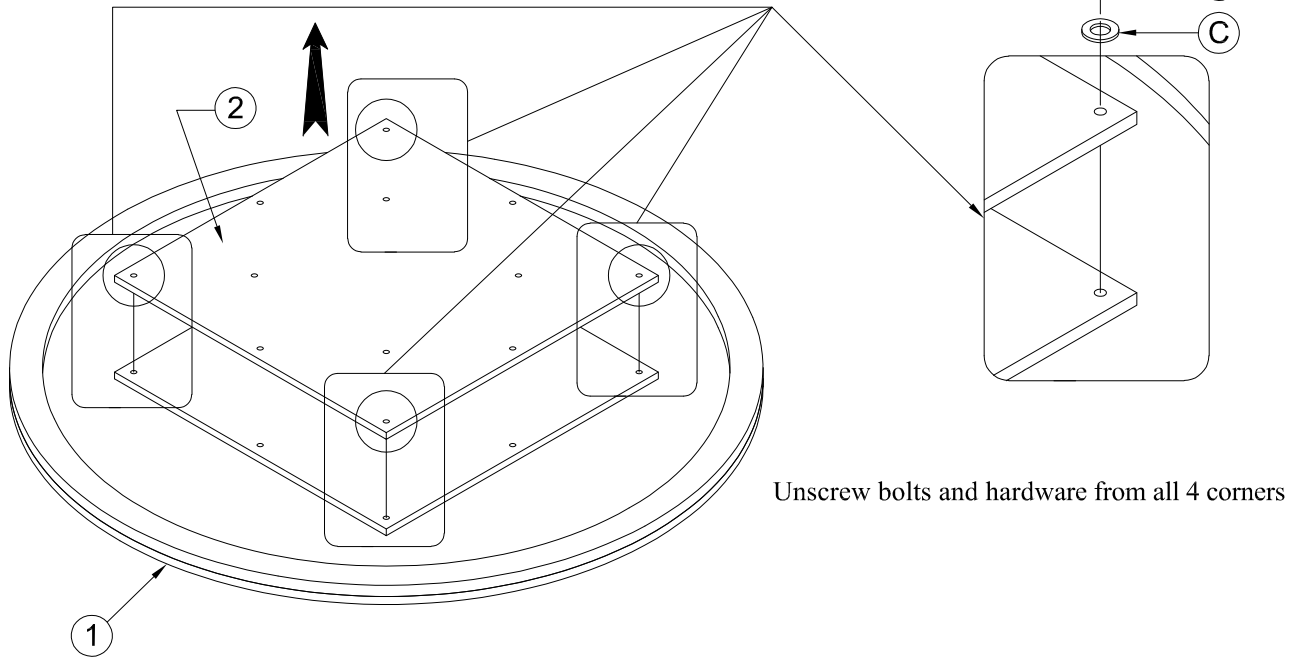






TOOLS REQUIRED
 (Allen Key provided)

CARTON	ITEM	PART		HARDWARE		
1		①	TABLE TOP x 1 PC		Ⓐ	M8 x 40 mm: 12 pcs 
		②	MOUNTING PANEL x 1PC		Ⓑ	Ø8 x Ø13 x 1.2: 12 pcs 
2		③	BASE x 1 PC		Ⓒ	Ø8 x Ø22 x 2: 12 pcs 
		②	MOUNTING PANEL x 1PC		Ⓓ	4mm x 50: 1 pc Allen key 

STEP 1

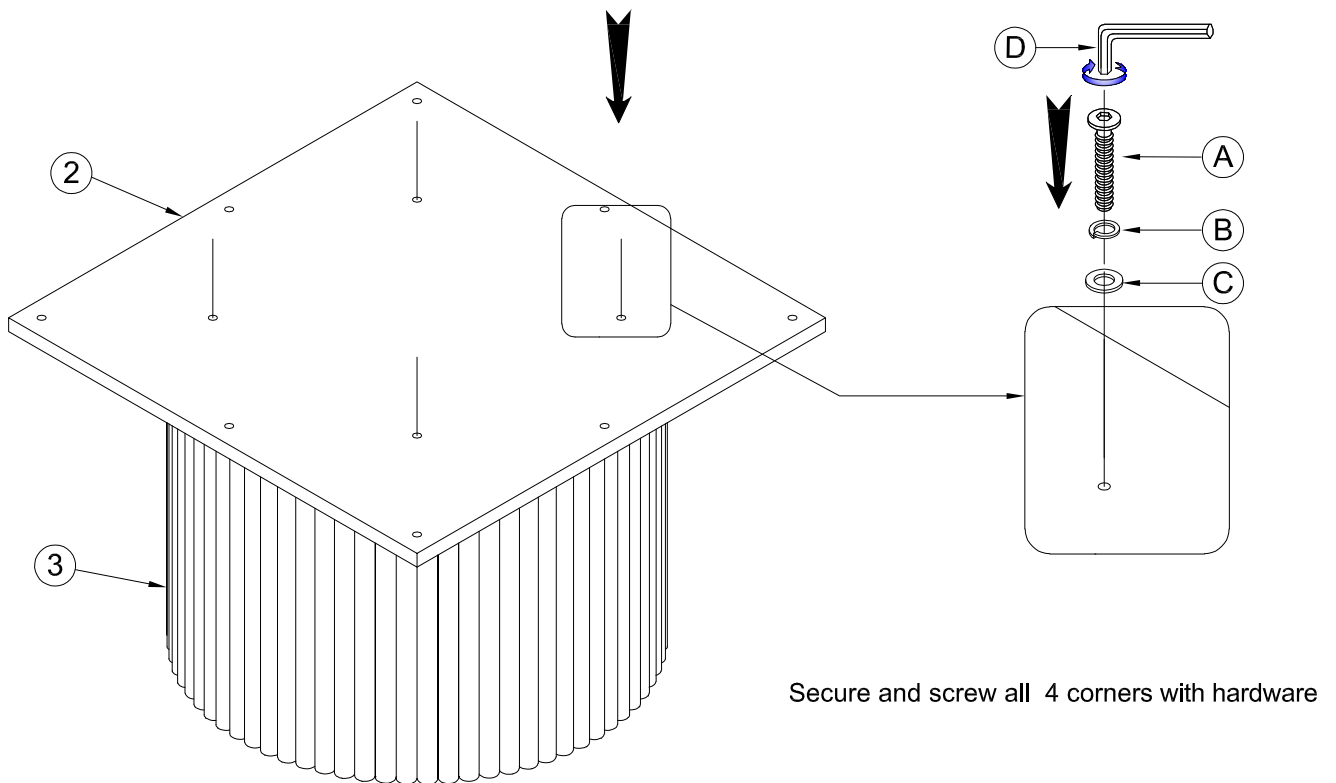
Detach Mounting Panel (Part 2) from table top (Part 1) before assembling the table. Unscrew and remove listed hardware with Allen Key (D) to detach Mounting Panel







A  M8 x 40 mm: 4 pcs	B  Ø8 x Ø13 x 1.2: 4 pcs	C  Ø8 x Ø22 x 2: 4 pcs	D  4mm x 50: 1 pc
---	--	--	--

STEP 2

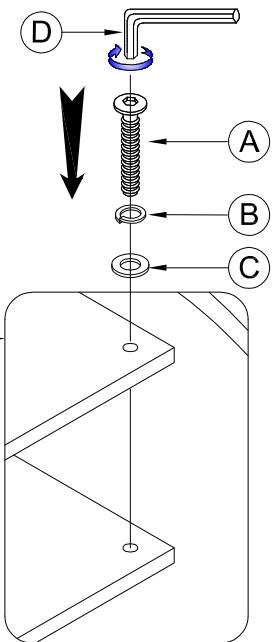
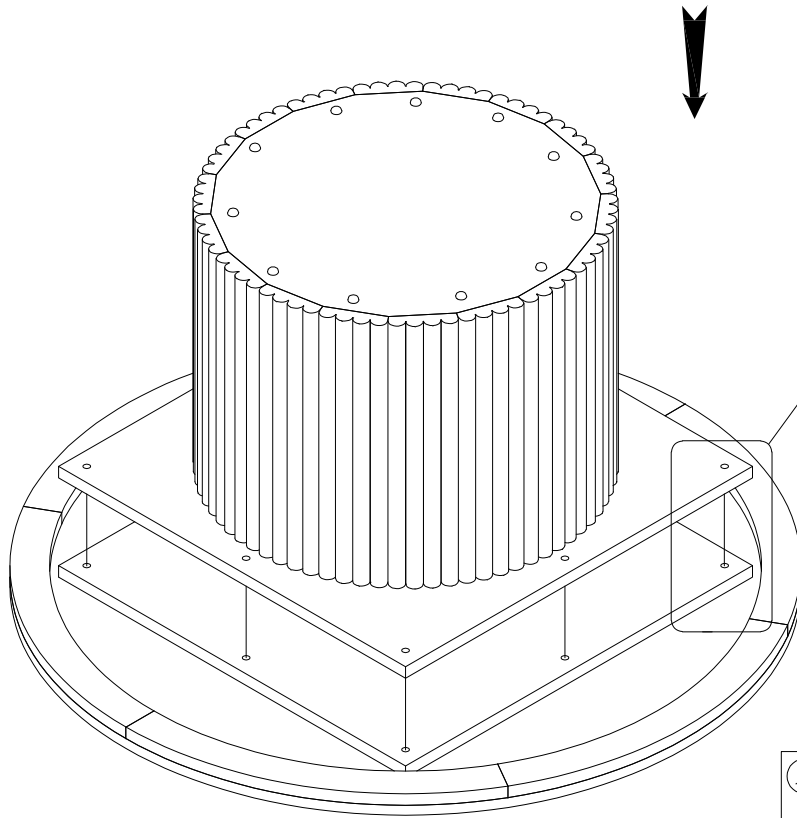
Carefully attach Mounting Panel (Part 2) on the Base (Part 3) and secure with corresponding hardware.







A  M8 x 40 mm: 4 pcs	B  Ø8 x Ø13 x 1.2: 4 pcs	C  Ø8 x Ø22 x 2: 4 pcs	D  4mm x 50: 1 pc
---	--	--	---

STEP 3

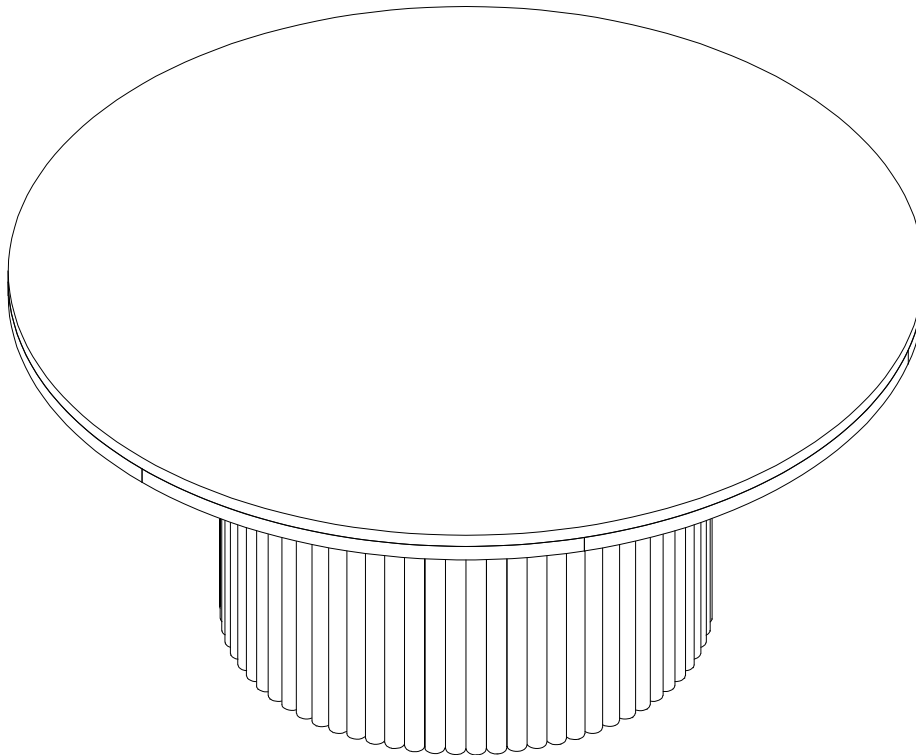
Flip base and align Mounted panel to the Table Top holes.
Secure the Base to the Table Top with corresponding screws as show in the image



Secure and screw all pre-drilled holes around the Mounting Panel with hardware. Repeat this step 8 times to secure to the Base.

A  M8 x 40 mm: 8 pcs	B  Ø8 x Ø13 x 1.2: 8 pcs	C  Ø8 x Ø22 x 2: 8 pcs	D  4mm x 50: 1 pc
---	--	--	--

ASSEMBLY COMPLETE



CAUTION ! : REQUIRES TWO ADULTS TO FLIP AND TURN TABLE UPRIGHT AFTER ASSEMBLY IS FINISHED.