

### Features

- Vertical blade handles accentuate the contemporary style.
- CleanCoat® nanotechnology provides a smooth, nonstick surface to help prevent buildup of water stains, bacteria and mildew on your glass, to make it easy to clean and keep it looking like new.
- Door tracking system features a hidden, cushioned, center guide for smooth, quiet sliding action.
- Innovative roller design simplifies installation and provides out-of-plumb adjustability while glass is installed.
- Frameless design emphasizes glass and creates a sleek, minimalist look.
- Smooth, easy-to-clean wall jambs.

### Material

- Anodized aluminum hardware prevents rusting or corrosion.
- Frameless, 5/16" (8mm) thick Crystal Clear tempered glass.

### Installation

- Out-of-plumb adjustability allows for simpler installation.
- Door can be installed to open to the left or right to suit your bathroom layout.
- Not for use in hospitality.
- For residential use only.

### Recommended Products/Accessories

K-23723 Faucet cleaner

### Included Components

Additional Components:  
Hardware kit



### Codes/Standards

ANSI Z97.1

### KOHLER® One-Year Limited Warranty

See website for detailed warranty information.

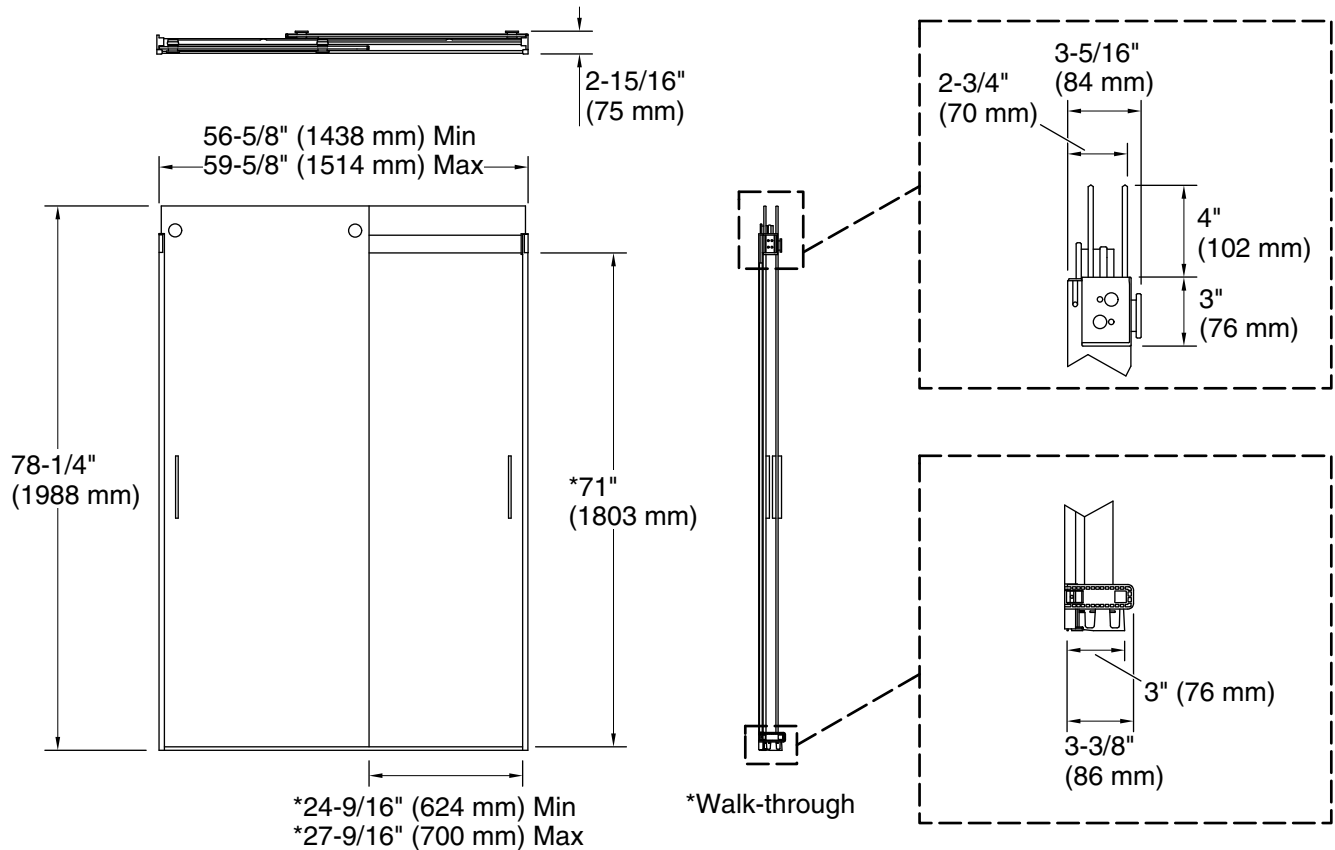
### Available Colors/Finishes

*Color tiles intended for reference only.*

Color	Code	Description
	SHP	Bright Polished Silver
	NX	Brushed Nickel
	ABZ	Anodized Dark Bronze
	BL	Matte Black

### Available Glass Options

Code	Description
L	Crystal Clear



### Technical Information

All product dimensions are nominal.

Installation type: For shower base installation

Opening style: Sliding/Bypass

Opening Width - Min: 56-5/8" (1438 mm)

Opening Width - Max: 59-5/8" (1514 mm)

Walk-through - Min: 24-9/16" (624 mm)

Walk-through - Max: 27-9/16" (700 mm)

Base-To-Wall Radius 1/2" (13 mm)

– Max:

Glass thickness: 5/16" (8 mm)

Glass coating: CleanCoat®

### Notes

Install this product according to the installation instructions.

If replacing a shower door, the narrow wall jamb design of this door may not cover the existing shower door holes.

The vertical opening should be a minimum of 80-1/2" (2045 mm) to allow for installation clearance.