

# Breakfast table set

Thank you for choosing produce.If you need help with assembly or if you are missing parts, hardware, we are here to help !



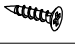
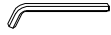
## Warning

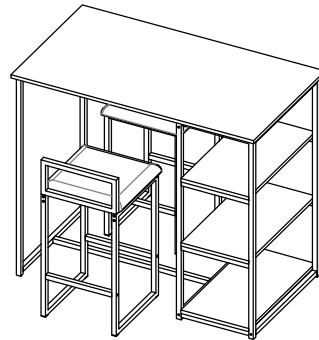
Small parts and sharp points may be present prior to assembly.  
Please follow the assembly instructions closely. Improper assembly can result in personal or property damage.2 adults are required to safely assemble this product.

## Care Instructions











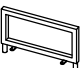





Dust often using a clean, soft, dry and lint-free cloth. • When blot spills, wipe with a clean, damp cloth immediately. We do not recommend the use of chemical cleansers, abrasives or furniture polish on our lacquered finish.  
Periodically check to make sure all connections are tight. Re-tighten if necessary.

## Hardware List:



NO.	DESCRIPTION		Q' TY
A		( $\phi$ 1/4"*1-1/4")	34
B		( $\phi$ 1/4"*1/2")	8
C		( $\phi$ 4.0*15mm)	20
D		(M4)	1

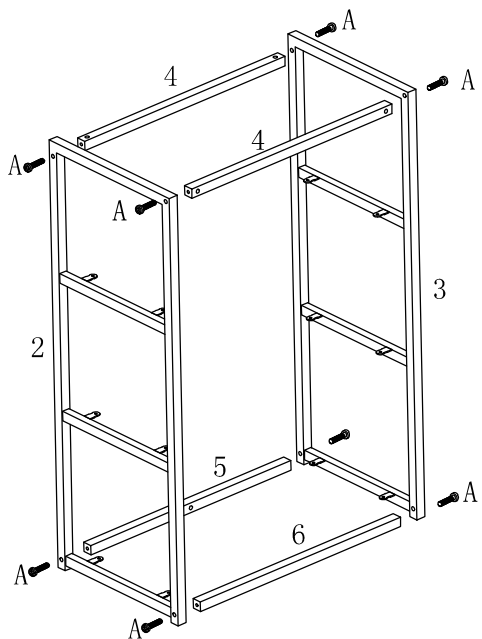


## Part List:


1	2	3	4	5	6	7	8	9	10
									
1PC	1PC	1PC	2PCS	1PC	1PC	1PC	2PCS	1PC	3PCS
11	12	13	14	15	16				
									
2PCS	2PCS	2PCS	4PCS	2PCS	2PCS				

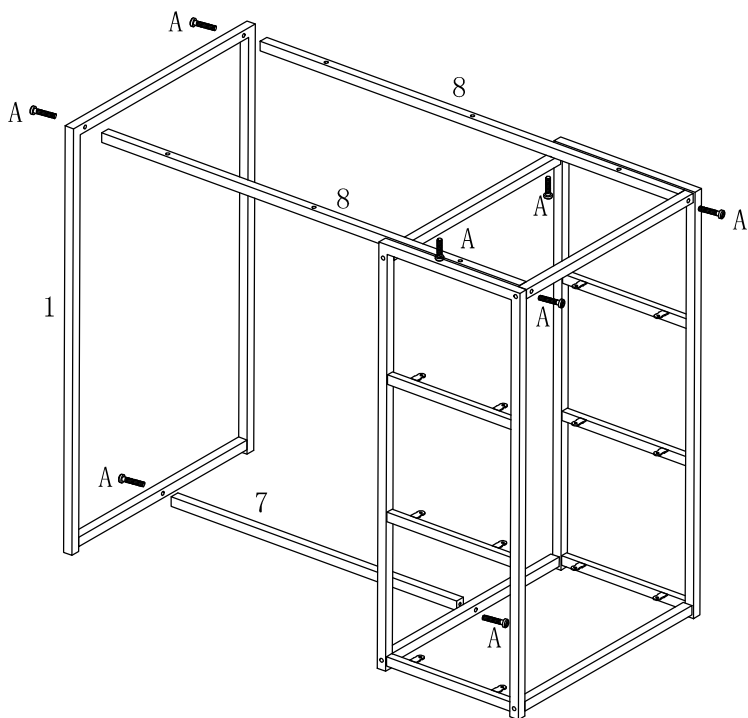
### STEP 1

A:		8PCS
E:		1PC





### STEP 2

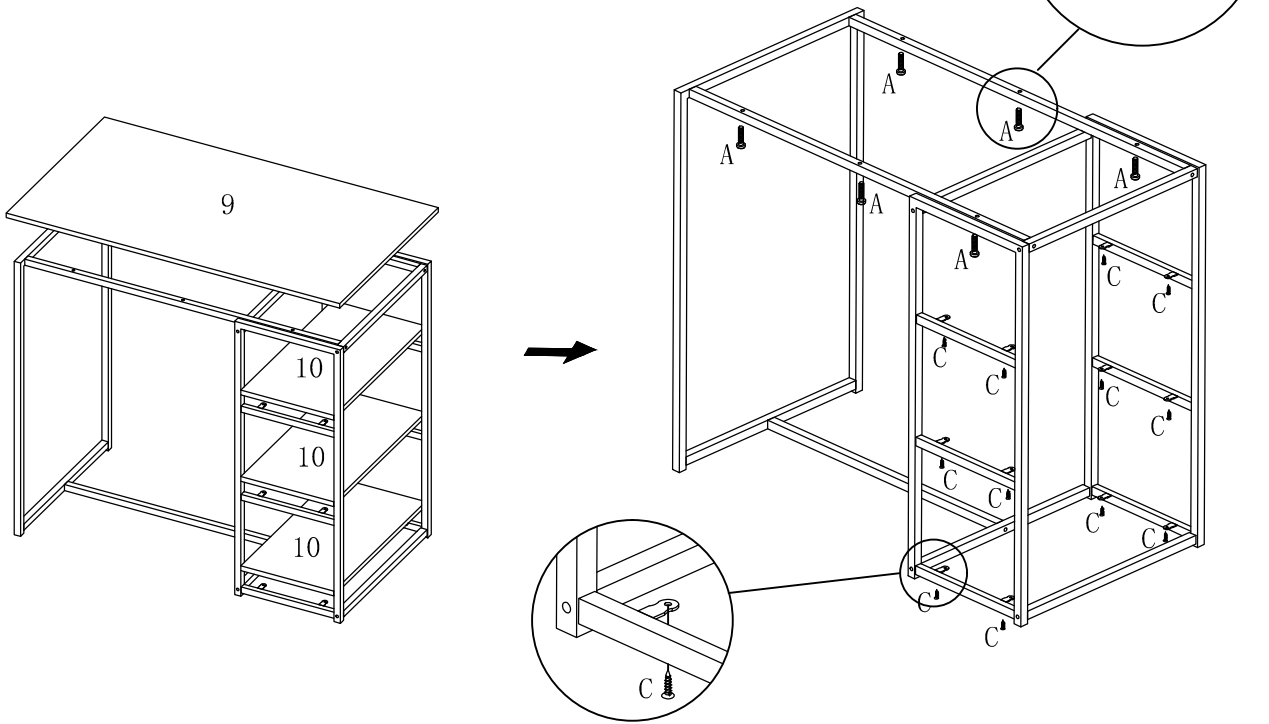
A:		8PCS
----	---	------




MADE IN CHINA

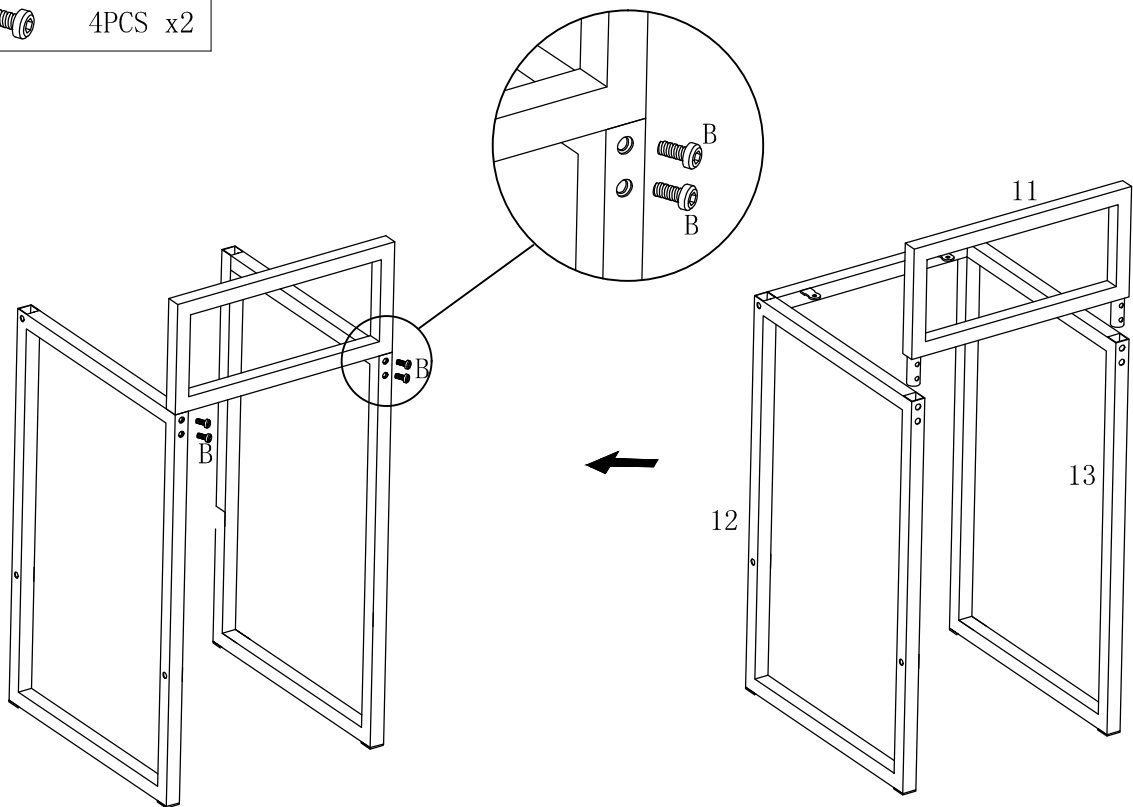
### STEP 3

- |    |   |       |
|----|---|-------|
| A: |  | 6PCS  |
| C: |  | 12PCS |



### STEP 4

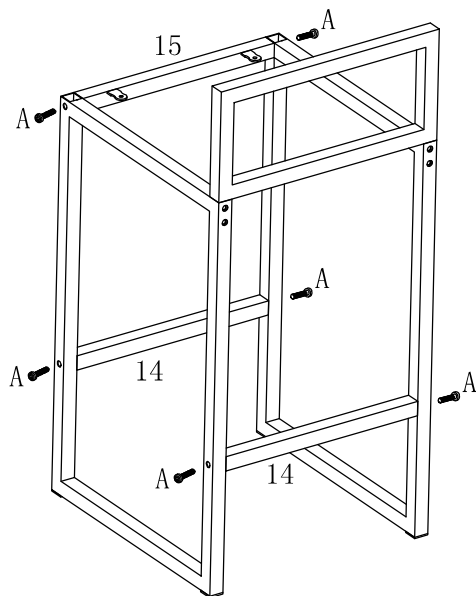
- |    |   |         |
|----|---|---------|
| B: |  | 4PCS x2 |
|----|---|---------|



MADE IN CHINA

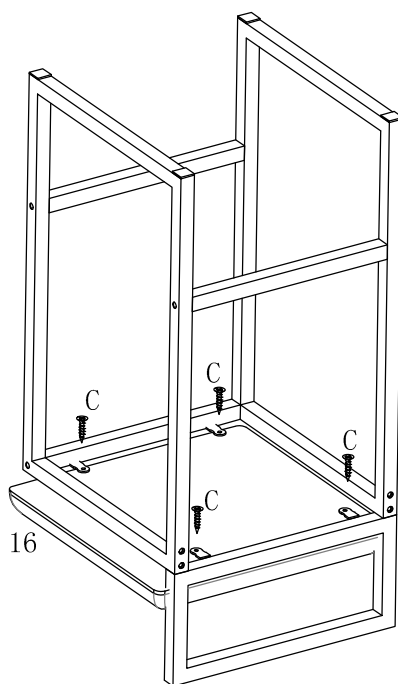
### STEP 5

A:  6PCS x2



### STEP 6

C:  4PCS x2



MADE IN CHINA