

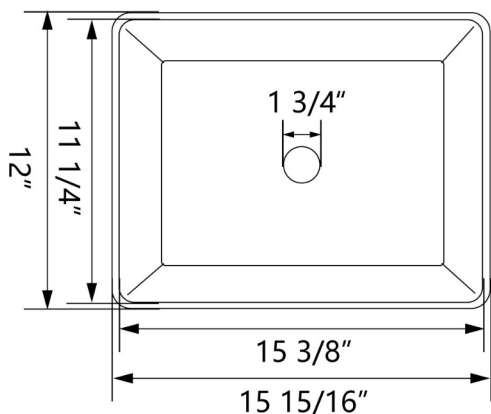


FEATURES

- High-Temperature Fired Ceramic
- Scratch & Stain Protection
- Smooth & Non-Porous Surface
- Easy to Clean & Maintain
- Seamless Modern Design
- Rounded Corners & Excellent Drainage
- Above-Counter Vessel Sink
- Suitable for Compact Spaces

SPECIFICATIONS

- Material: Ceramic
- Outer Dimensions: 15 15/16" × 12" × 5 1/8"
- Inner Dimensions: 15 3/8" × 11 1/4" × 4 1/8"
- Bottom Dimensions: 15 3/4" × 11 13/16"
- Drain Hole Diameter: 1 3/4"
- Overflow Included: No
- Basin Shape: Rectangular
- Drain Location: Center
- Weight: 17 lbs



INSTALLATION

- Countertop Installation

COLOR

- Bright White

PACKAGE CONTENTS

- Bathroom Sink × 1
- Instruction Manual × 1

