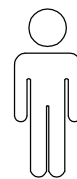
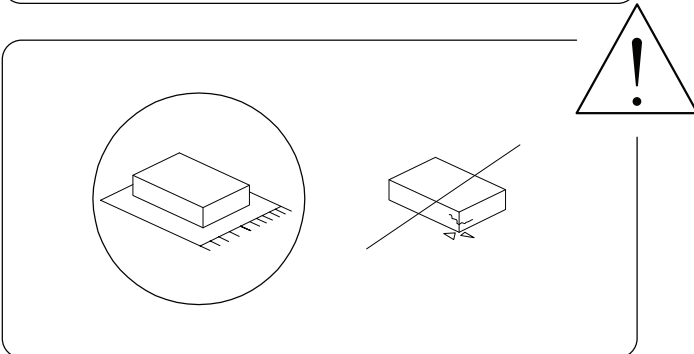
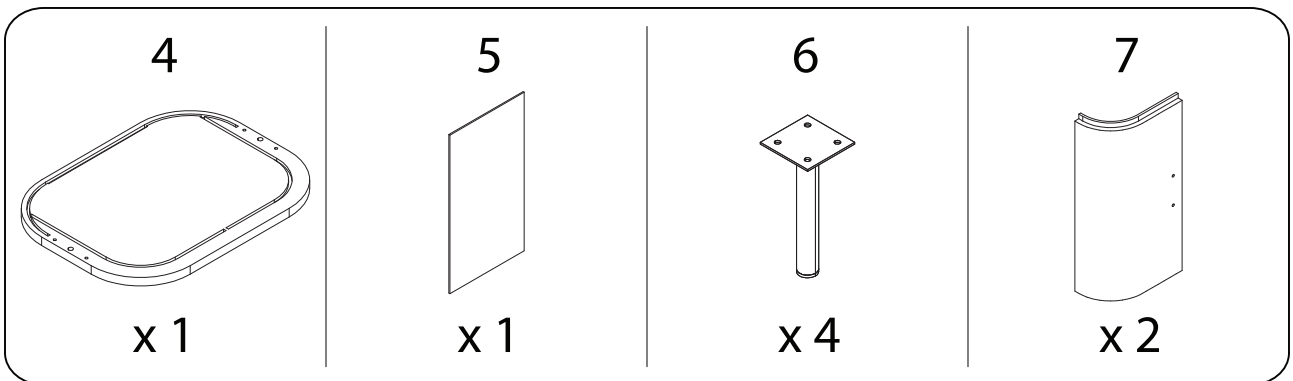
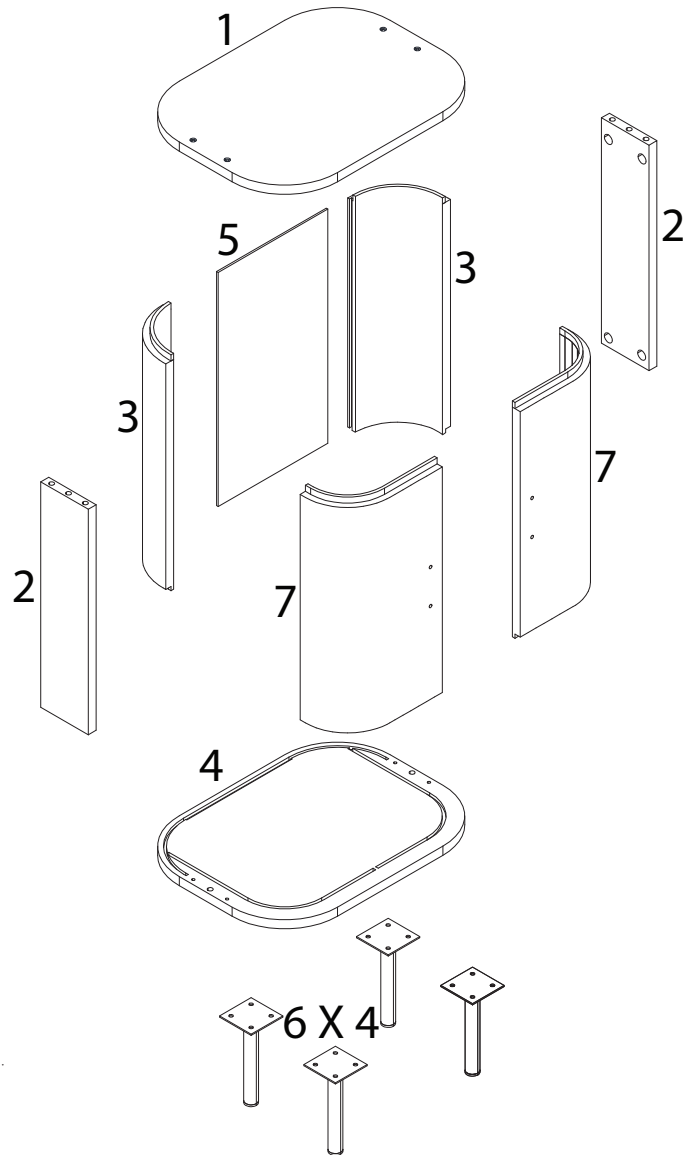
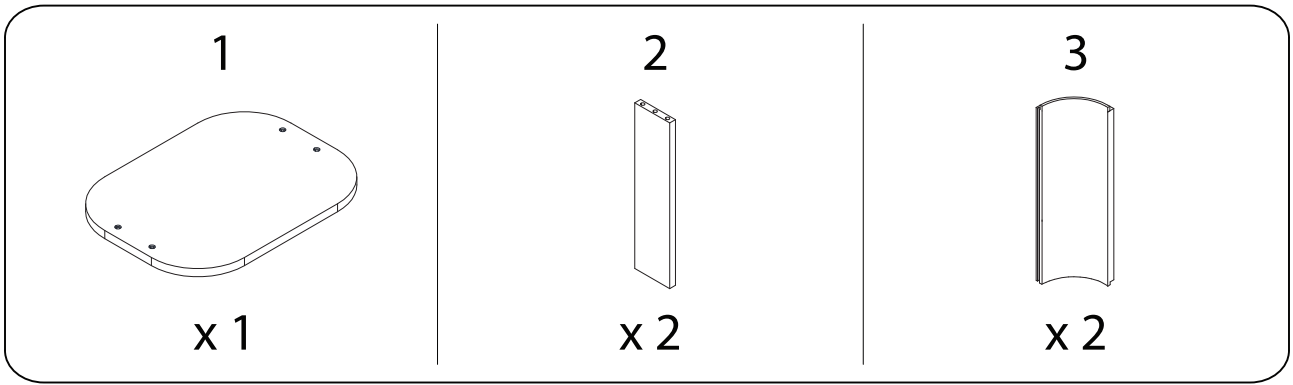


30'



1

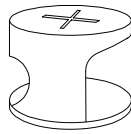


A



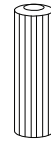
x 4

B



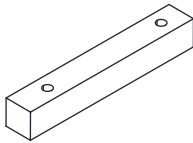
x 4

C



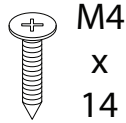
x 4

D



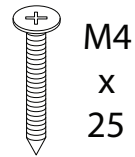
x 2

E



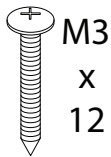
x 4

F



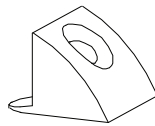
x 4

G



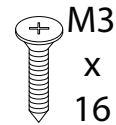
x 16

H



x 4

I



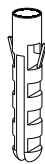
x 4

J₁



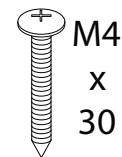
x 2

J₂



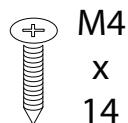
x 2

J₃



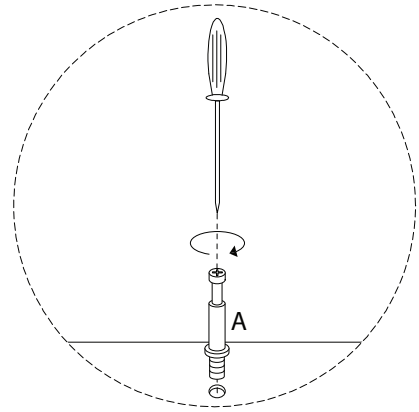
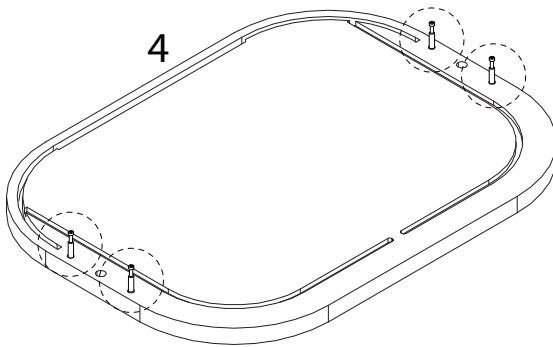
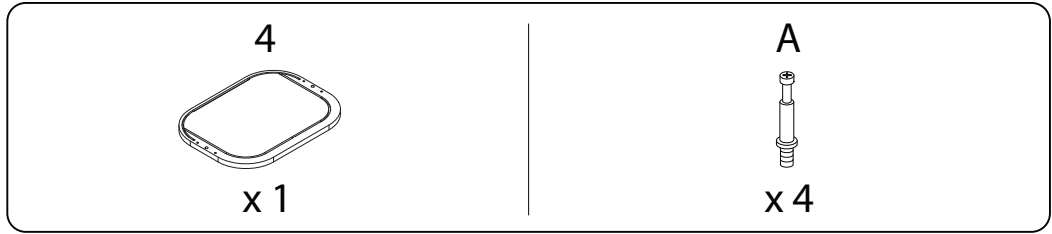
x 2

J₄

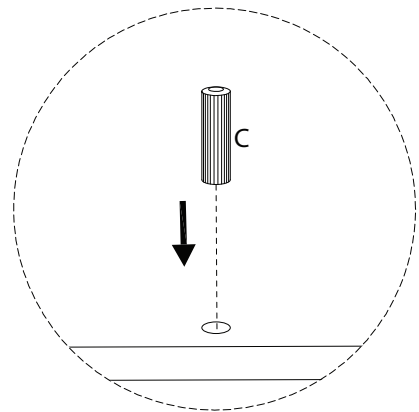
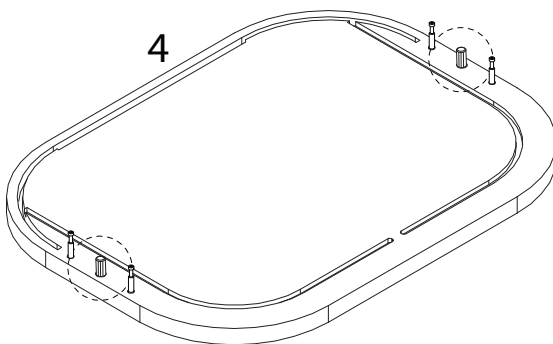
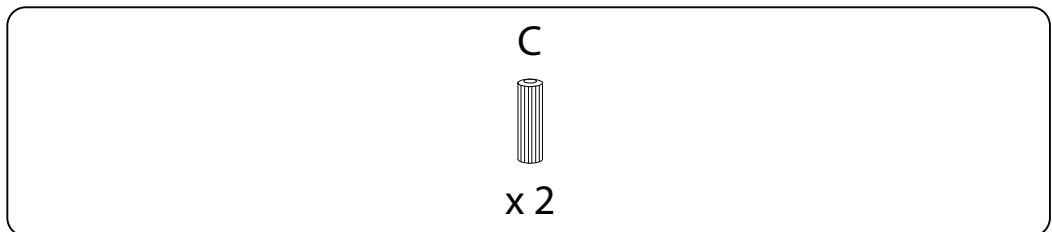


x 2

1



2

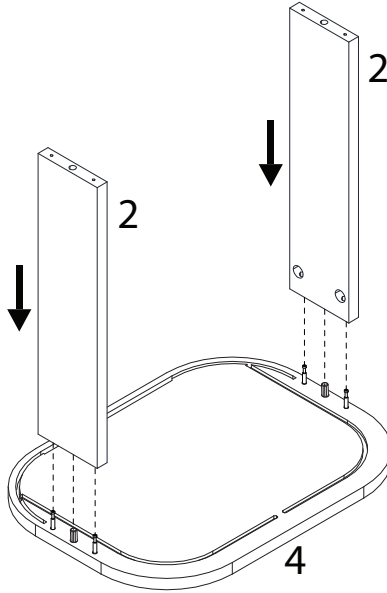


3

2



x 2

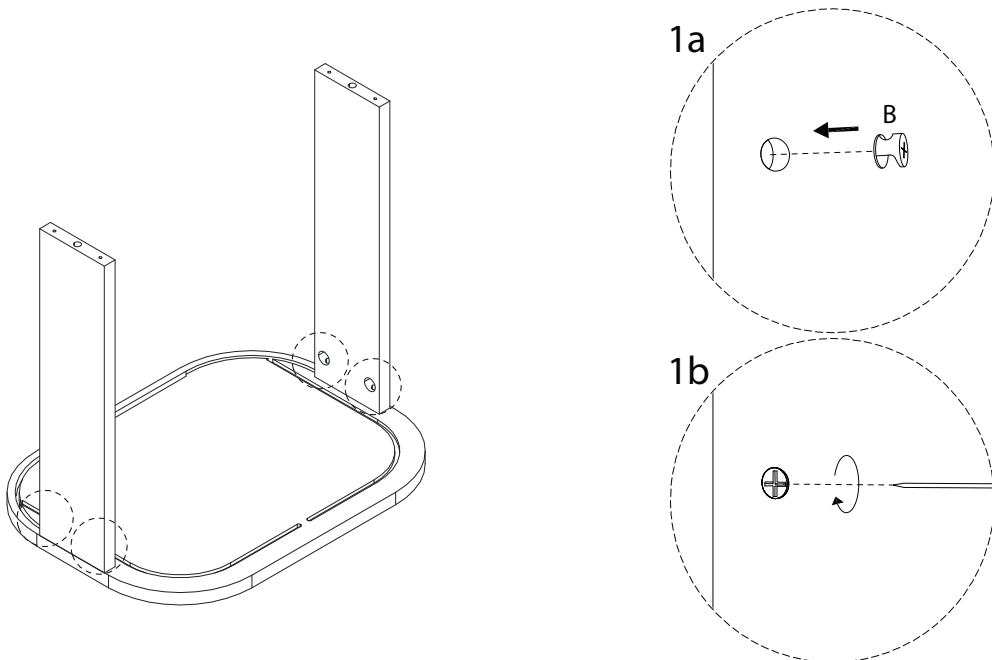


4

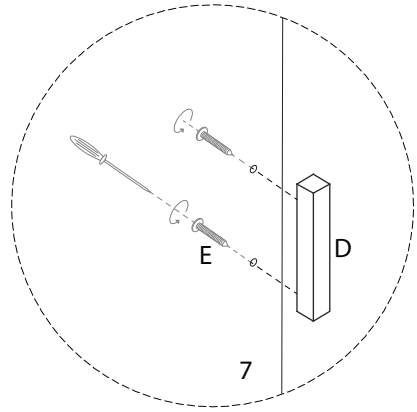
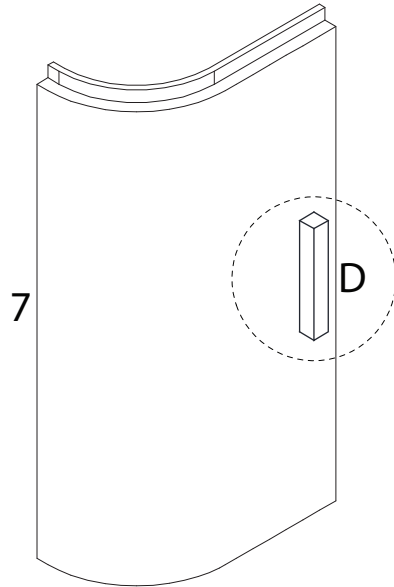
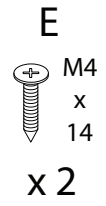
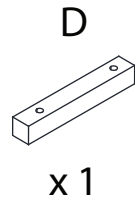
B



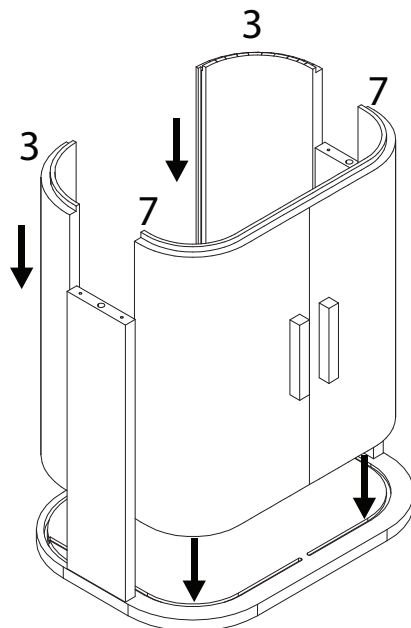
x 4



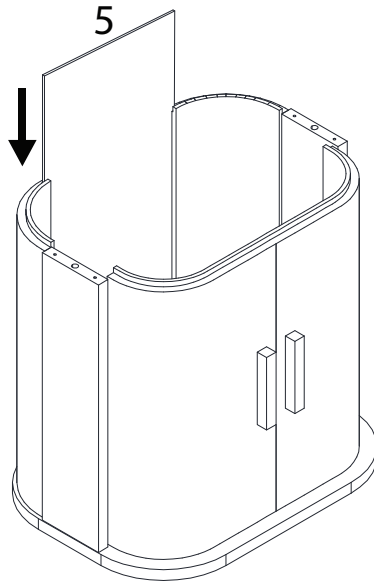
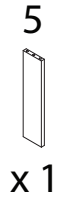
5 x 2



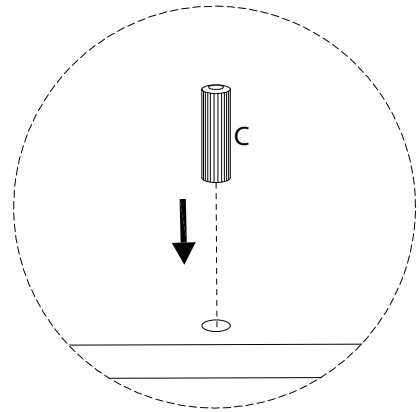
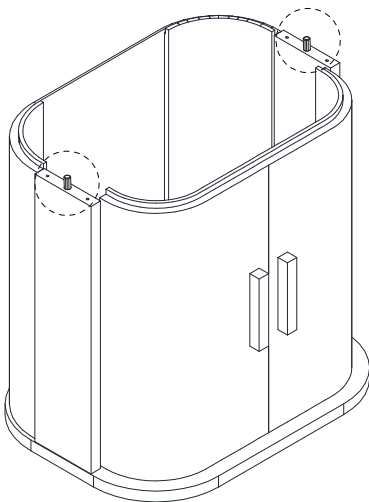
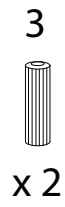
6



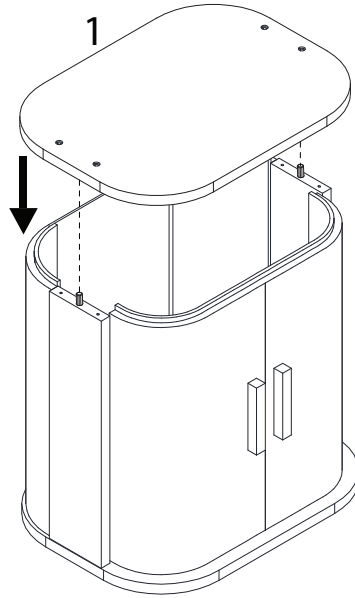
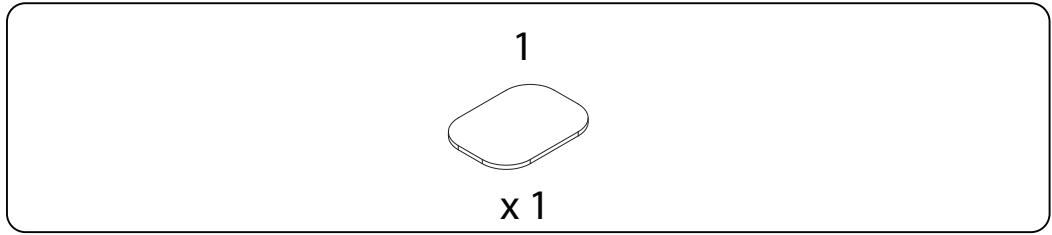
7



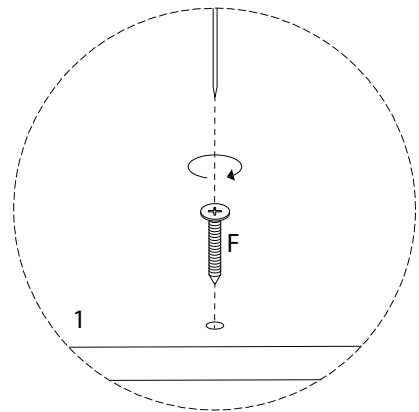
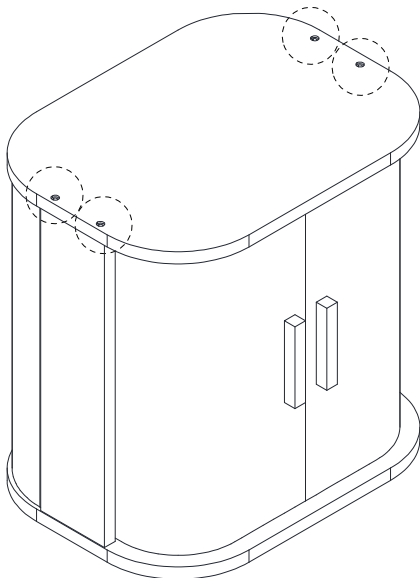
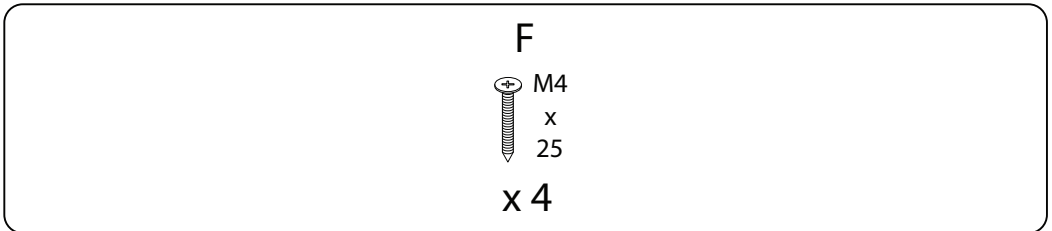
8



9



10



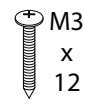
11

6

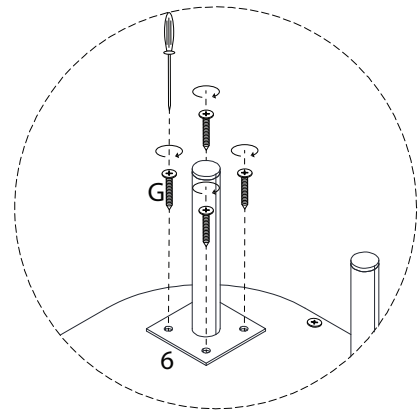
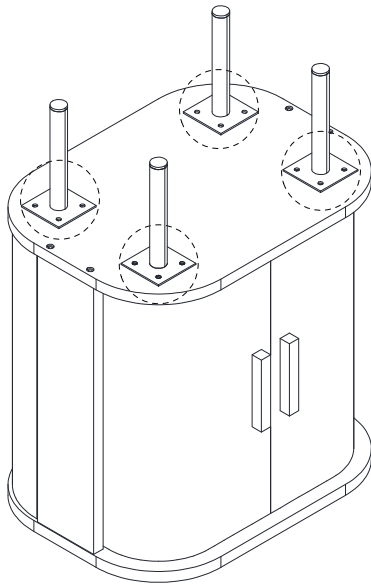


x 4

G

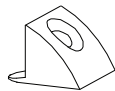


x 16



12

H

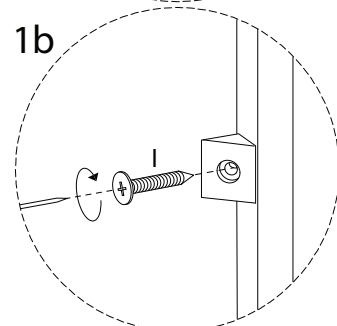
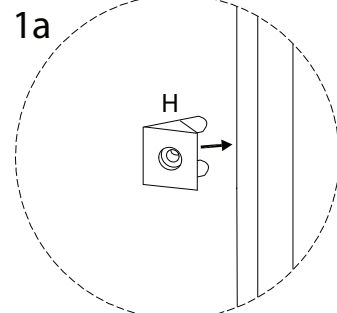
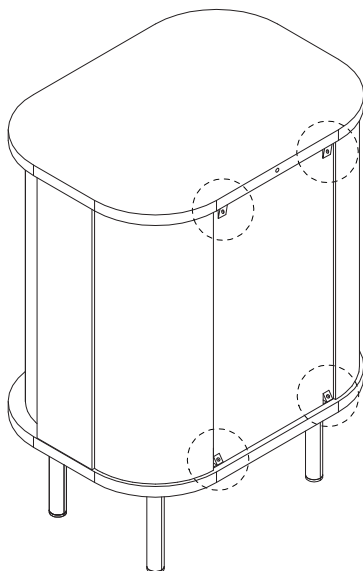


x 4



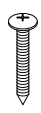

I



x 4



13

<p>J₁</p>  <p>x 2</p>	<p>J₂</p>  <p>x 2</p>	<p>J₃</p>  <p>M4 x 30</p> <p>x 2</p>	<p>J₄</p>  <p>M4 x 14</p> <p>x 2</p>
---	---	---	--

